

US00D554906S

(12) **United States Design Patent**
Pretty

(10) **Patent No.:** **US D554,906 S**

(45) **Date of Patent:** **** Nov. 13, 2007**

(54) **COUNTERTOP CASHIER'S STATION**

(75) **Inventor:** **Steven C. Pretty**, Fowlerville, MI (US)

(73) **Assignee:** **Armoured Resistance Mechanisms, Inc.**, Fowlerville, MI (US)

(**) **Term:** **14 Years**

(21) **Appl. No.:** **29/272,737**

(22) **Filed:** **Feb. 15, 2007**

(51) **LOC (8) Cl.** **06-04**

(52) **U.S. Cl.** **D6/471; D6/470**

(58) **Field of Classification Search** D6/432,
D6/434, 436-439, 442-446, 470, 471, 472,
D6/481; 312/114, 140.1, 140.2, 140.4, 204,
312/237, 238, 239

See application file for complete search history.

(56) **References Cited**

U.S. PATENT DOCUMENTS

- D110,015 S * 6/1938 Behrel D6/436
- 2,658,810 A * 11/1953 Ellis et al. 312/238
- 4,080,022 A * 3/1978 Canfield et al. 312/140.1
- D262,505 S * 1/1982 Buchanan et al. D6/434
- D276,486 S * 11/1984 Miller D6/471

- D276,678 S * 12/1984 Miller D6/471
- D276,679 S * 12/1984 Miller D6/471
- D293,525 S * 1/1988 Miller D6/436

* cited by examiner

Primary Examiner—Mimosa De

(74) *Attorney, Agent, or Firm*—John K. McCulloch

(57) **CLAIM**

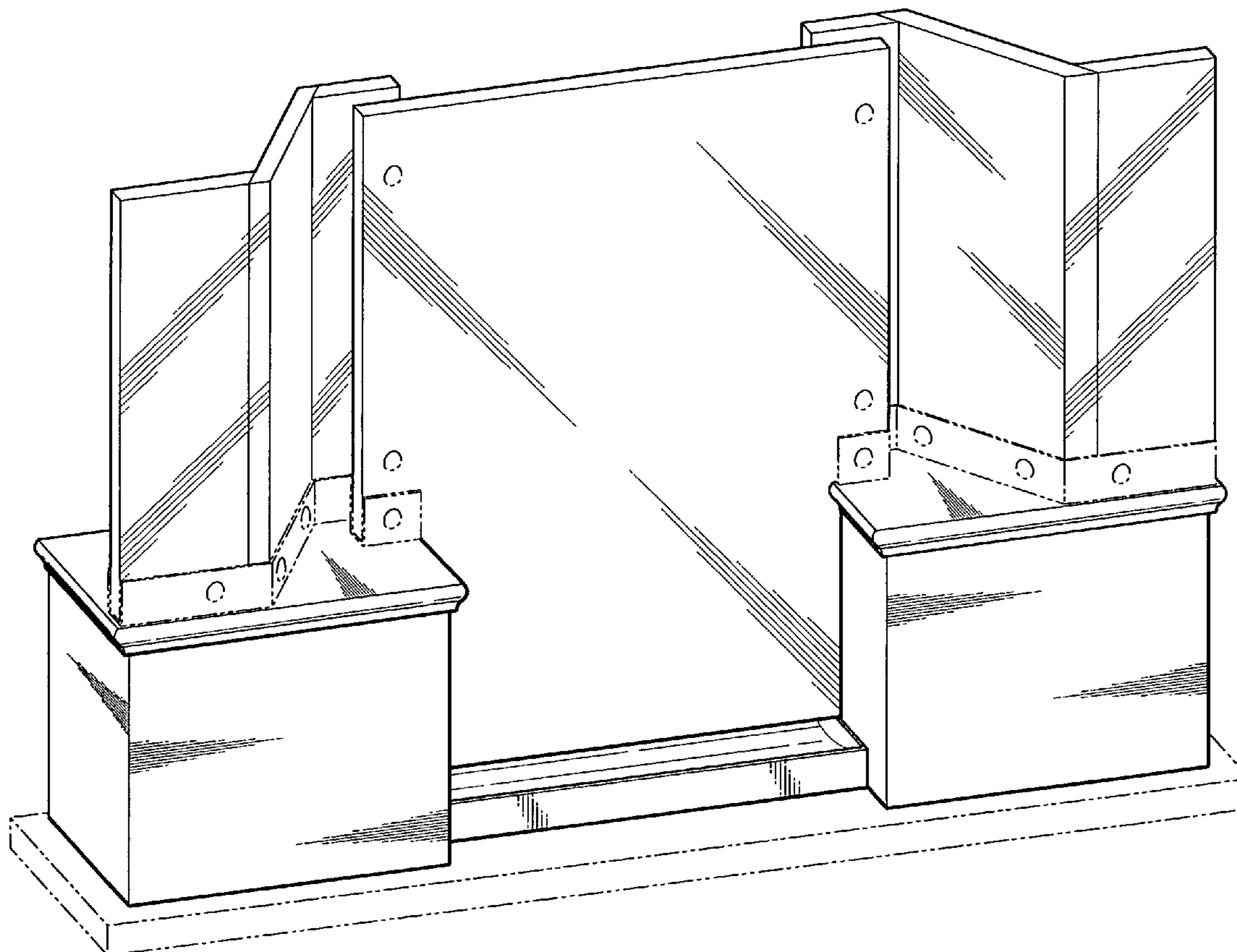
The ornamental design for a countertop cashier's station, as shown.

DESCRIPTION

FIG. 1 is a rear isometric view of the design;
 FIG. 2 is a front isometric view thereof;
 FIG. 3 is a top plan view of the design as shown in FIG. 1;
 FIG. 4 is an elevational view of one end of the design;
 FIG. 5 is an elevational view of the opposite end of the design;
 FIG. 6 is a rear elevational view of the design; and,
 FIG. 7 is a front elevational view of the design.

The broken lines shown in the drawing are for illustrative purposes only and form no part of the claimed design.

1 Claim, 6 Drawing Sheets



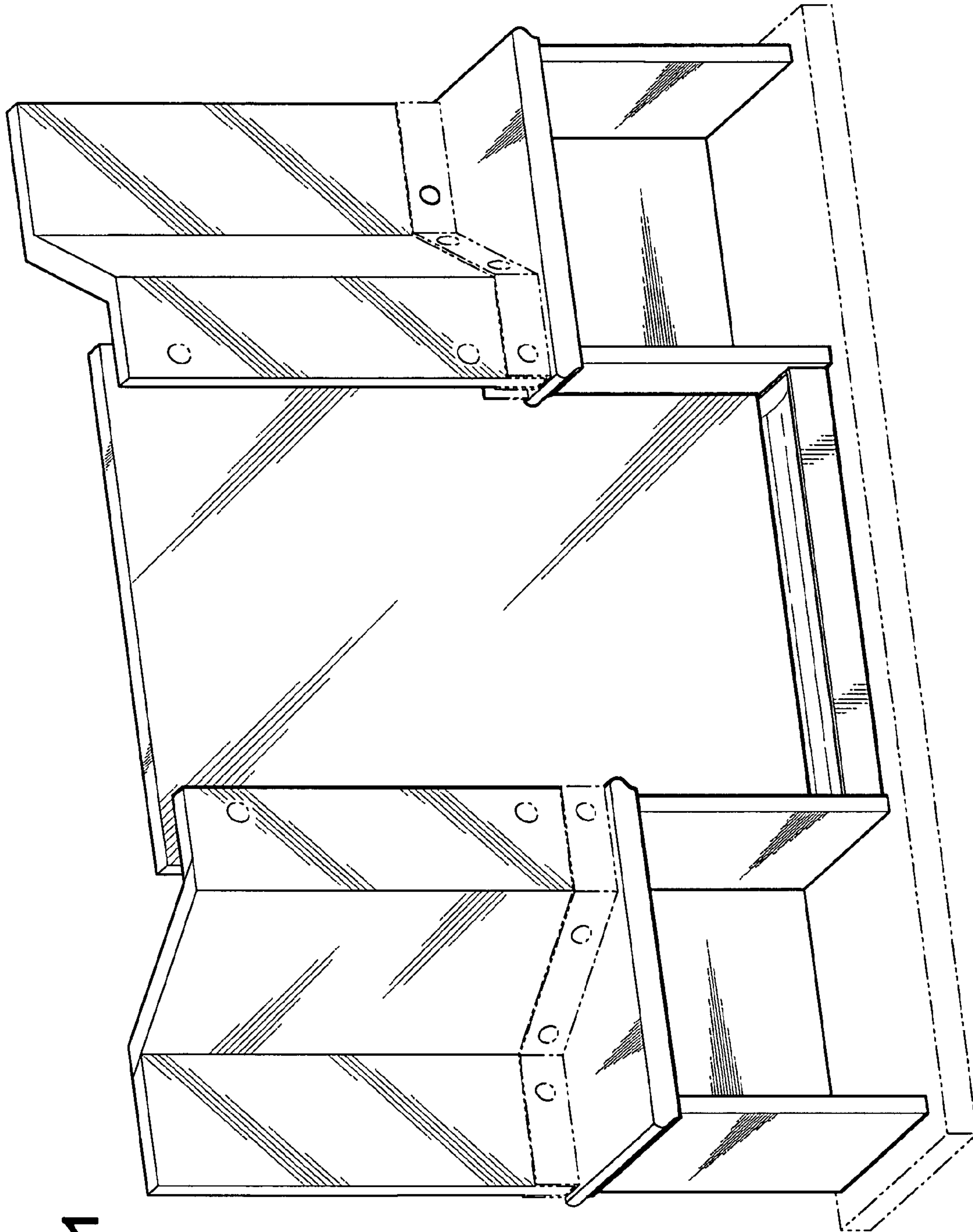


FIG - 1

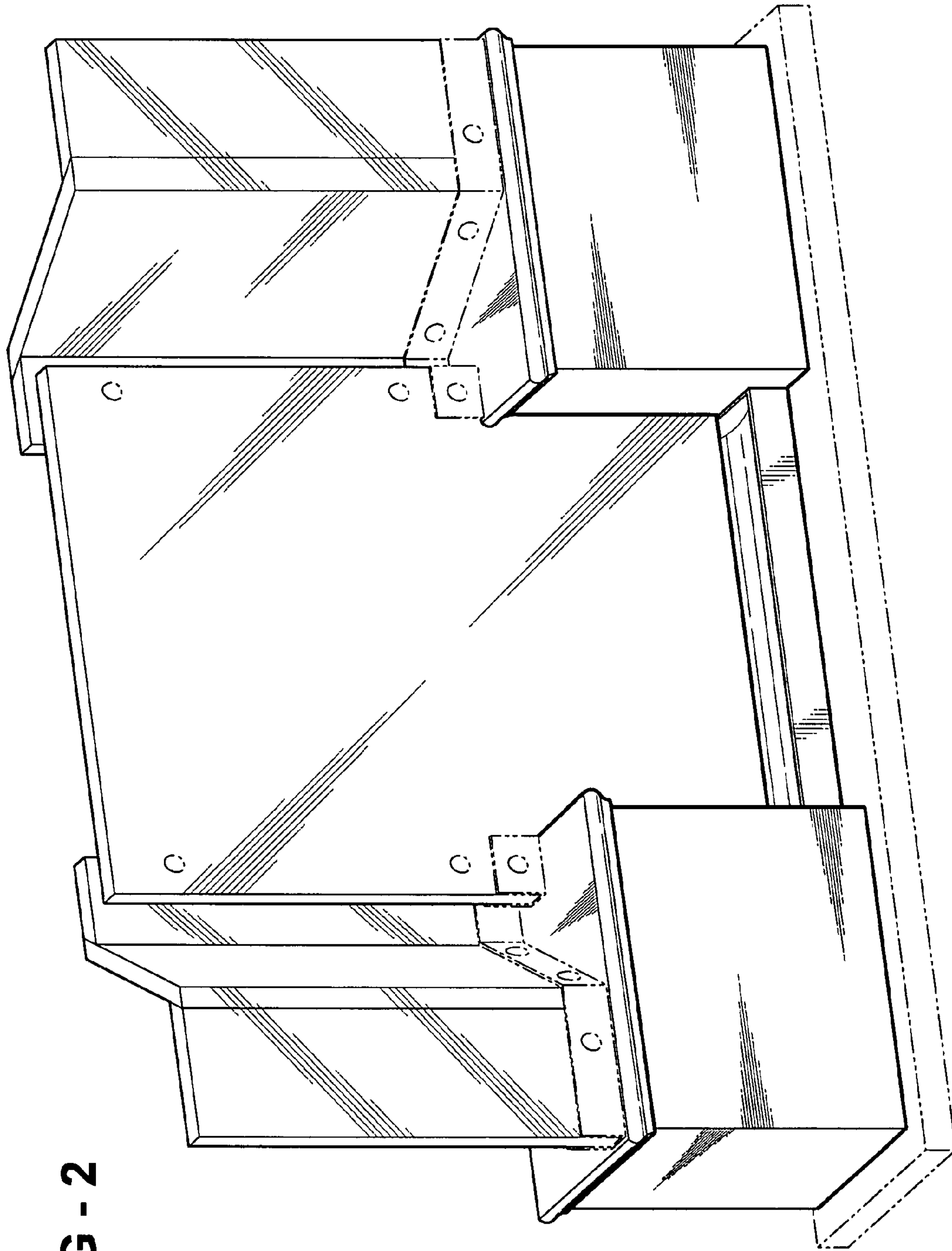


FIG - 2

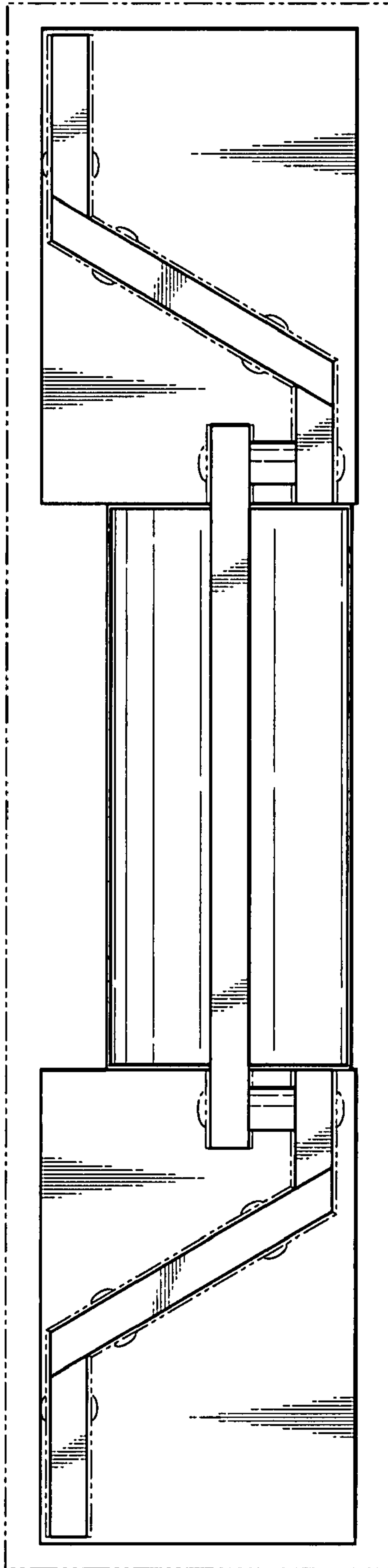


FIG - 3

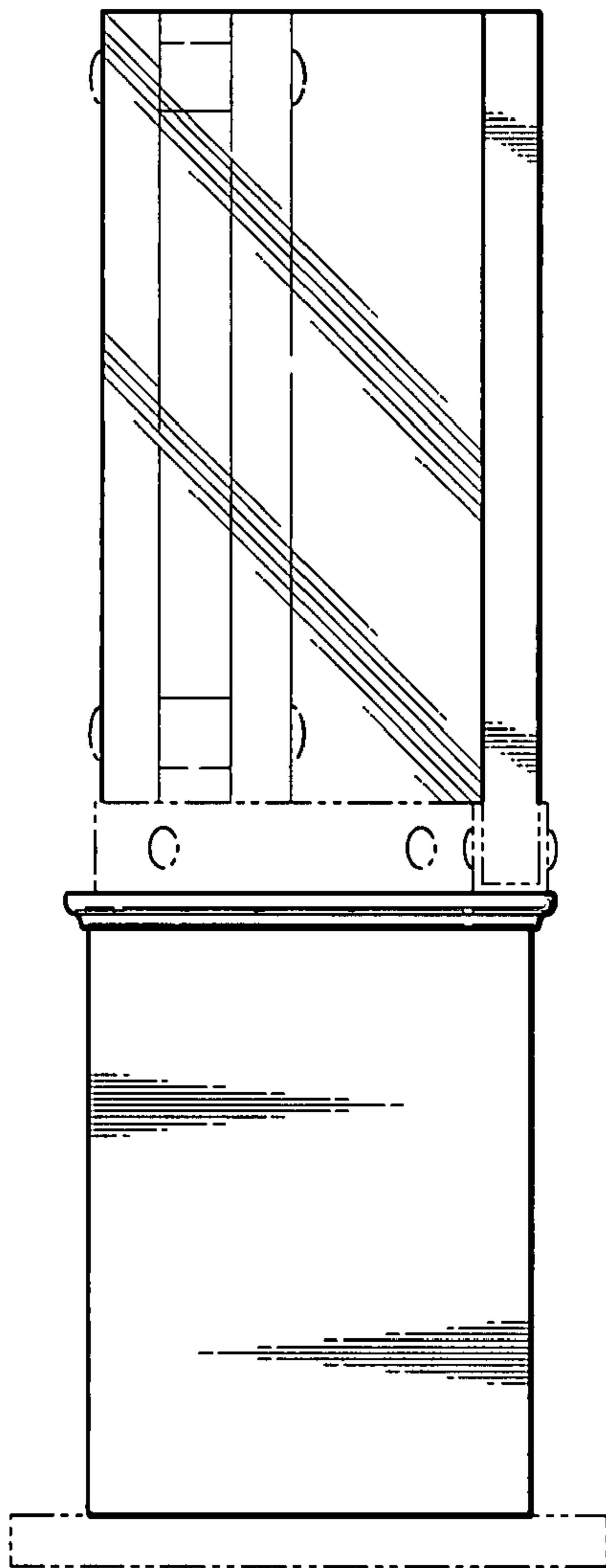


FIG - 4

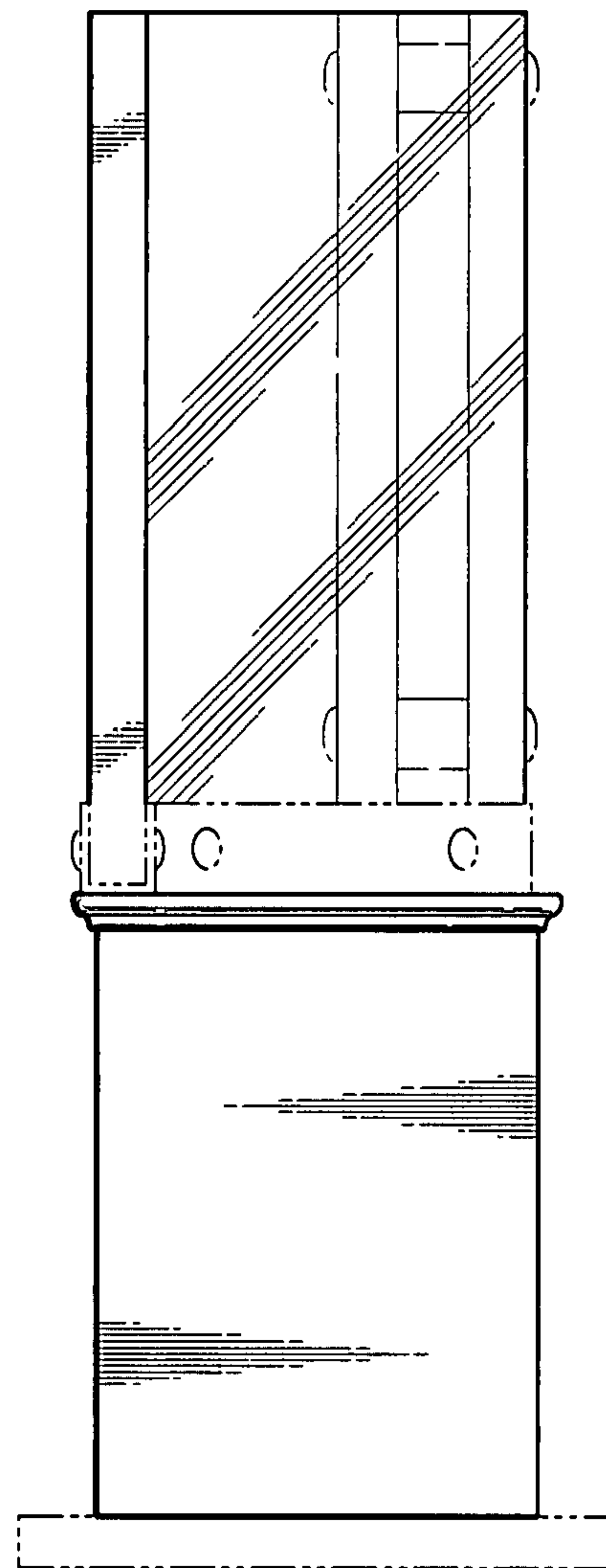


FIG - 5

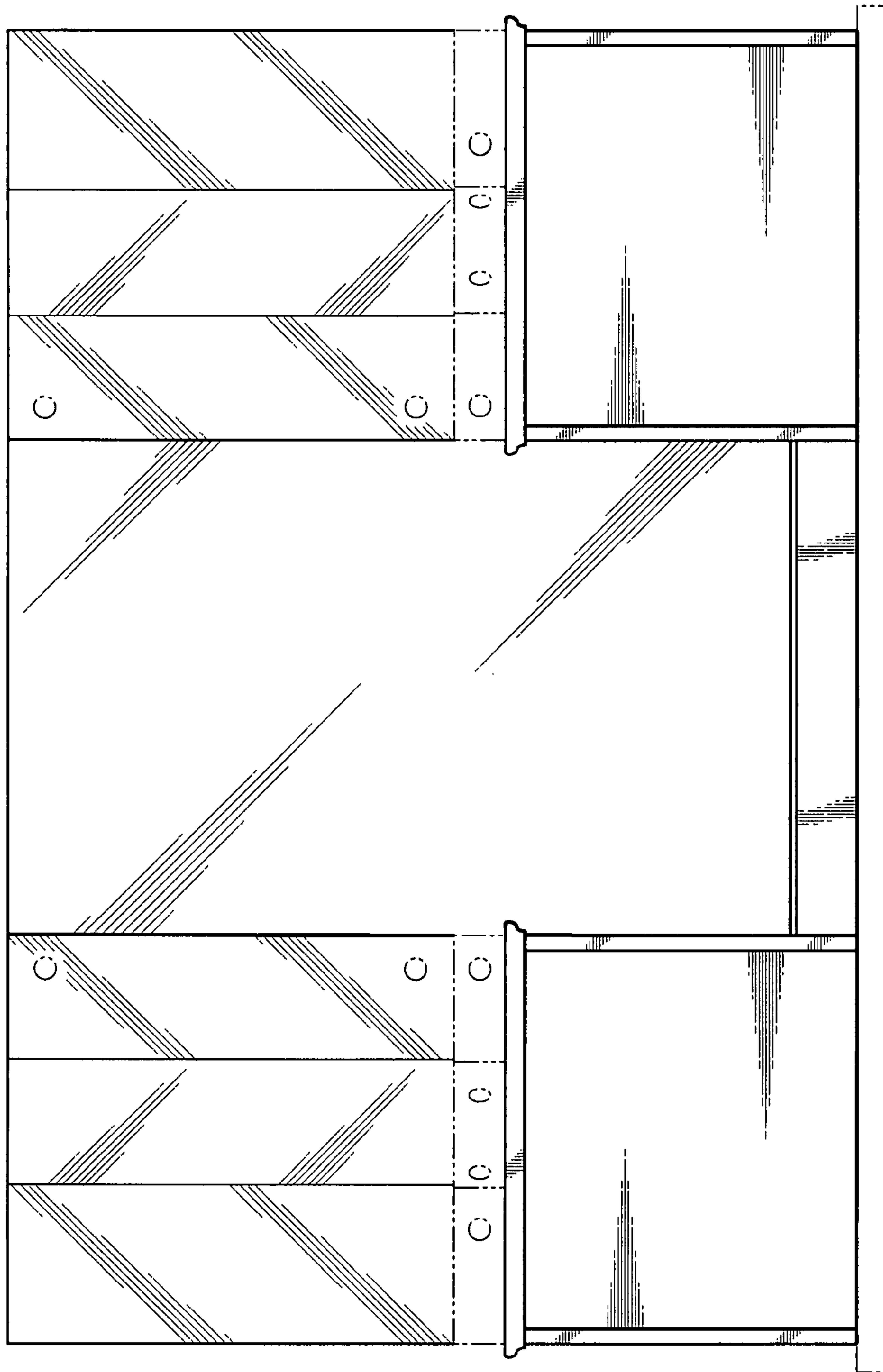


FIG - 6

FIG - 7

