



US00D807374S

(12) **United States Design Patent**  
**Mao et al.**

(10) **Patent No.:** **US D807,374 S**  
(45) **Date of Patent:** **\*\* Jan. 9, 2018**

(54) **BEZEL COMPONENT FOR A MOBILE COMPUTER DEVICE**

348/164, 165, 149, 333.01, 333.11,  
348/E5.043, E5.047, E5.09, 33, 82,  
348/E5.028, 347, 373, 374, 375;  
(Continued)

(71) Applicant: **SYMBOL TECHNOLOGIES, LLC**,  
Lincolnshire, IL (US)

(72) Inventors: **Yanmin Mao**, Brampton (CA); **Iheng Tsai**, Taipei (TW); **Zhiming Zhang**,  
Richmond Hill (CA); **Konstantinos D. Tsiopoulos**, Selden, NY (US); **Jaeho Choi**,  
Whitestone, NY (US)

(56) **References Cited**

U.S. PATENT DOCUMENTS

6,031,524 A \* 2/2000 Kunert ..... G06F 3/0202  
345/169  
6,319,199 B1 11/2001 Sheehan  
(Continued)

(73) Assignee: **Symbol Technologies, LLC**, Holtsville,  
NY (US)

OTHER PUBLICATIONS

Design U.S. Appl. No. 29/453,478, filed Apr. 30, 2013.  
“Notice of Allowance,” issued in connection with Design U.S. Appl.  
No. 29/453,478 dated Apr. 7, 2016.

(\*\*) Term: **15 Years**

*Primary Examiner* — Susan Moon Lee

(21) Appl. No.: **29/546,340**

(22) Filed: **Nov. 20, 2015**

**Related U.S. Application Data**

(63) Continuation-in-part of application No. 29/533,680,  
filed on Jul. 21, 2015, now Pat. No. Des. 781,860.

(51) **LOC (11) Cl.** ..... **14-02**

(52) **U.S. Cl.**  
USPC ..... **D14/453**

(58) **Field of Classification Search**

USPC ..... D14/420, 426-430, 453, 346, 341, 347,  
D14/412, 138; D13/107, 184; 358/473;  
235/462.43, 462.45, 462.47, 462.48,  
235/462.44, 462.46, 487, 472.01, 472.02,  
235/145 A, 145 R; D10/78, 57, 2, 46, 52,  
D10/53, 81; 324/426; D3/273; 710/73;  
D18/7; 361/679, 728, 679.56; 382/313,  
382/321; 455/575.1, 561, 572, 41.2;  
345/156, 168, 169, 172, 173, 87; 705/17,  
705/18, 22-25; D16/206, 218, 202, 219,  
D16/208, 209; 356/328; 396/419, 423,  
396/424; 374/130, 100, 121, 102, 141,  
374/124, 170, 104, 103; 702/130, 135;

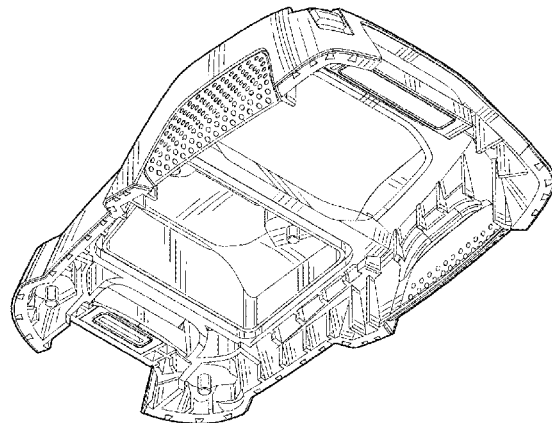
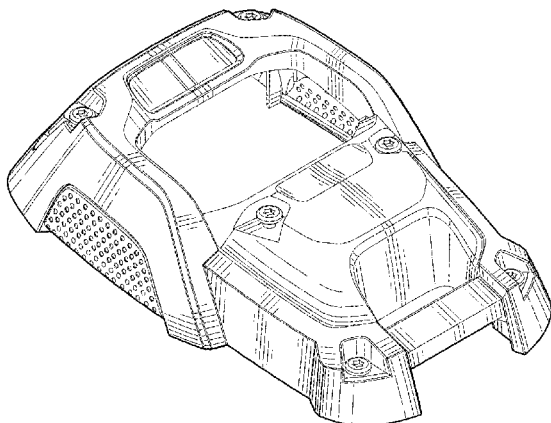
(57) **CLAIM**

The ornamental design for a bezel component for a mobile computer device, as shown and described.

**DESCRIPTION**

FIG. 1 is a front perspective view of a bezel component for a mobile computer device according to our new design; FIG. 2 is a rear perspective view thereof; FIG. 3 is a front view thereof; FIG. 4 is a rear view thereof; FIG. 5 is a first side view thereof; FIG. 6 is a second side view thereof; FIG. 7 is a top view thereof; and, FIG. 8 is a bottom view thereof. The broken lines and unshaded portions contained within broken lines shown in FIGS. 1-8 are for illustrative purposes only and are not claimed.

**1 Claim, 6 Drawing Sheets**



(58) **Field of Classification Search**

USPC ..... 250/330, 351, 353, 332, 334, 358.1,  
 250/316.1, 338.1; 600/549, 474, 413,  
 600/473, 200, 184  
 CPC ..... G06F 1/626; G06F 1/1626; G06F 1/1656;  
 G06F 1/1632; G06F 1/1684; G06F  
 1/1635; G06F 8/63; G06F 17/30091;  
 G06F 9/4401; G06K 7/10881; G06K  
 7/1098; G06K 7/10722; G06K 7/1404;  
 G06K 7/0004; G06K 7/10633; G06K  
 7/10851; G06K 7/1091; G06K 7/1092;  
 G06K 7/1093; G06K 7/10; G06K 7/109;  
 G06K 7/1417; G06K 9/228; G06K  
 17/0022; G06K 17/00; G06K 2207/1011;  
 G06K 2207/1013; G06K 2207/1016;  
 G06K 2207/1018; G06K 2017/0051;  
 G06K 2017/0067; G06K 2007/10524;  
 G07G 1/0081; G07G 1/009; G06Q 20/20;  
 G06Q 20/201; G06Q 20/202; G06Q  
 20/203; G06Q 20/30; G06Q 20/32; G06Q  
 20/322; G06Q 20/4014; G06Q 10/087;  
 H04N 1/00127; H04N 1/00135; H04N  
 1/00326; H04N 1/00334; H04N 1/00307;  
 H04N 1/107; H04N 2201/0084; H04N  
 2101/00; H04N 5/332; H04N 5/33; H04N  
 5/2251; H04N 5/2258; H04N 5/2256;  
 H04N 5/23293; H04N 5/23203; H04N  
 5/2254; H04N 5/2252; H04N 5/2253;  
 H04N 5/23229; H04N 5/3651; H04M  
 1/0249; H04M 1/0262; H04M 1/0266;  
 H04M 1/18; H04M 1/23; H04M 1/236;  
 H04B 1/3827; H04B 1/3833; H04B  
 1/3877; H04B 1/3883; H04B 1/3888;  
 H04B 2001/3894; H01M 2/1066; G01J  
 5/025; G01J 5/0265; G01J 5/026; G01J  
 5/027; G01J 5/02; G01J 5/06; G01J 5/08;  
 G01J 5/04; G01J 5/12; G01J 5/00; G01J  
 5/18; G01J 5/0834; G01J 5/522; G01J  
 5/0806; G01J 5/028; G01J 2005/0077;  
 G01J 2005/0081; G02B 7/08; G02B 7/04;  
 G01K 1/02; G01K 3/04; G03B 17/18;  
 G03B 3/02; G03B 3/04; G03B 3/10

See application file for complete search history.

(56) **References Cited**

U.S. PATENT DOCUMENTS

D455,750 S 4/2002 Krantz  
 D466,540 S 12/2002 Lannestedt  
 6,502,754 B1 1/2003 Bhatia et al.  
 D472,911 S \* 4/2003 Bielefeld ..... D16/130  
 D524,813 S 7/2006 Nakajima  
 7,093,974 B2 8/2006 Kienitz  
 D533,939 S \* 12/2006 Root ..... D24/133  
 7,157,705 B2 \* 1/2007 Hamrelius ..... G01J 5/025  
 250/330  
 D537,829 S \* 3/2007 Croley ..... D14/453  
 D540,838 S 4/2007 Aronsson et al.  
 7,236,243 B2 6/2007 Beecroft  
 D560,527 S \* 1/2008 Rich ..... D10/78  
 D574,838 S 8/2008 Palmer  
 D575,295 S \* 8/2008 Palmer ..... D14/453  
 D583,263 S 12/2008 Sebban  
 D585,927 S 2/2009 Sheard

D594,361 S 6/2009 Miller  
 D599,392 S 9/2009 Hamelius  
 D617,218 S \* 6/2010 Jilderos ..... D10/57  
 7,746,511 B2 6/2010 Hamilton et al.  
 D623,754 S 9/2010 Tuhkanen  
 7,867,019 B1 1/2011 Loukusa et al.  
 8,079,951 B2 12/2011 Yokota  
 D652,748 S \* 1/2012 Jilderos ..... D10/57  
 D658,222 S 4/2012 Elrod et al.  
 D665,440 S 8/2012 Sigward  
 D666,928 S 9/2012 Elrod  
 D667,040 S 9/2012 Holmes  
 D668,561 S 10/2012 Dunkin  
 D671,121 S 11/2012 Schickling  
 D677,298 S 3/2013 Hallgren  
 D710,424 S 8/2014 Hallgren  
 D719,471 S \* 12/2014 Gnauck ..... D10/78  
 D723,400 S \* 3/2015 Marzynski ..... D10/78  
 D723,605 S 3/2015 Palm  
 D727,393 S 4/2015 Elrod  
 D729,247 S 5/2015 Hackett  
 D731,909 S 6/2015 Weakly  
 D733,783 S 7/2015 Wu  
 D739,279 S \* 9/2015 Payne ..... D10/78  
 D741,390 S 10/2015 Mayeur  
 D757,838 S \* 5/2016 Laho ..... D16/206  
 D763,261 S 8/2016 Choi et al.  
 D766,117 S \* 9/2016 Wong ..... D10/78  
 D781,860 S \* 3/2017 Tsiopanos ..... D14/426  
 9,664,708 B2 \* 5/2017 Dorman ..... G01R 1/06788  
 2002/0162963 A1 11/2002 Lannestedt  
 2004/0124359 A1 7/2004 Hamrelius  
 2005/0024495 A1 2/2005 Hamrelius  
 2007/0106121 A1 5/2007 Yokota  
 2007/0131774 A1 6/2007 Celestini  
 2008/0116093 A1 5/2008 Felten  
 2009/0102925 A1 4/2009 Sheard  
 2009/0109283 A1 4/2009 Scott  
 2009/0225159 A1 9/2009 Schneider  
 2010/0046577 A1 2/2010 Sheard et al.  
 2010/0101569 A1 4/2010 Kim  
 2010/0148066 A1 6/2010 Stratmann  
 2010/0270469 A1 10/2010 Johnson  
 2011/0121978 A1 5/2011 Schworer  
 2012/0224067 A1 9/2012 Stuart  
 2012/0314083 A1 12/2012 Ratliff  
 2012/0314084 A1 12/2012 Lammert  
 2012/0320189 A1 \* 12/2012 Stuart ..... G01J 5/025  
 348/135  
 2013/0083199 A1 4/2013 Choi  
 2013/0155188 A1 6/2013 Heinke  
 2013/0162835 A1 6/2013 Forland  
 2013/0188058 A1 7/2013 Nguyen  
 2013/0321638 A1 \* 12/2013 Stratmann ..... G06T 3/4061  
 348/162  
 2014/0002668 A1 1/2014 Nguyen  
 2014/0014728 A1 1/2014 Choi  
 2014/0028854 A1 1/2014 Heinke  
 2014/0042319 A1 2/2014 Pickett  
 2014/0160298 A1 6/2014 Johnson  
 2014/0160299 A1 6/2014 Mumaw  
 2014/0176725 A1 \* 6/2014 Stuart ..... G01J 5/025  
 348/164  
 2014/0184805 A1 7/2014 Schmidt  
 2014/0267353 A1 9/2014 Schmidt  
 2014/0267879 A1 9/2014 Loukusa  
 2015/0022667 A1 1/2015 McManus  
 2015/0098663 A1 4/2015 Heinke  
 2017/0140187 A1 \* 5/2017 Izaki ..... G06K 7/10742  
 2017/0140188 A1 \* 5/2017 Izaki ..... G06K 7/10742  
 2017/0147845 A1 \* 5/2017 Mao ..... G06K 7/10881  
 2017/0147846 A1 \* 5/2017 Mao ..... G06K 7/10881

\* cited by examiner

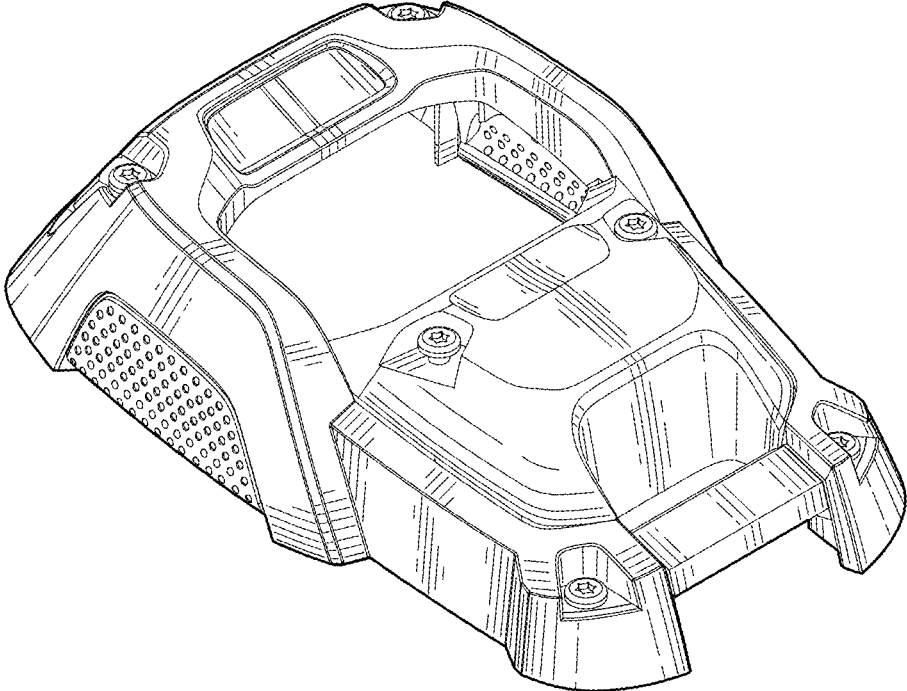


FIG. 1

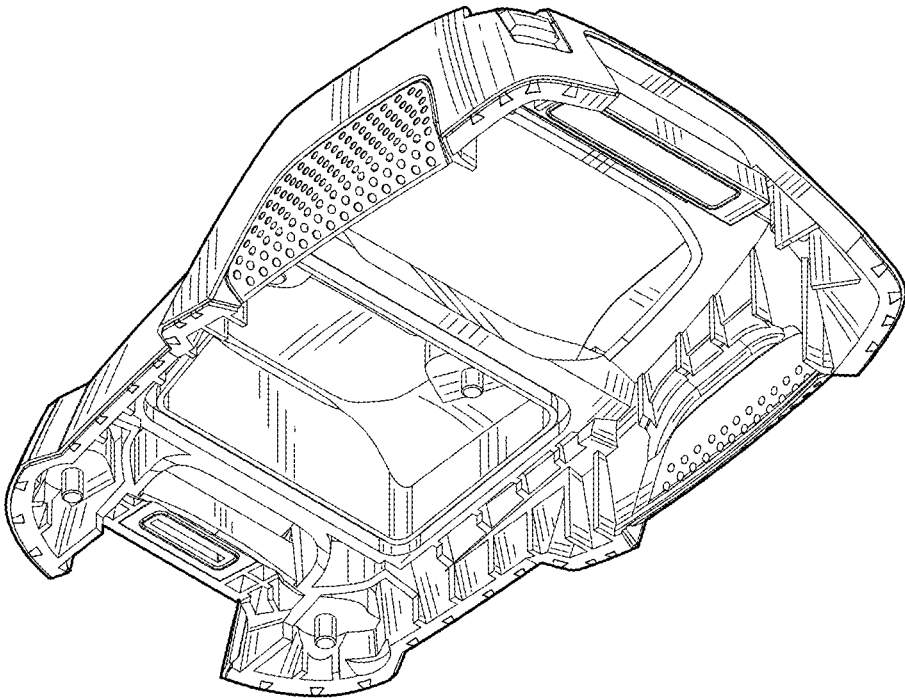


FIG. 2

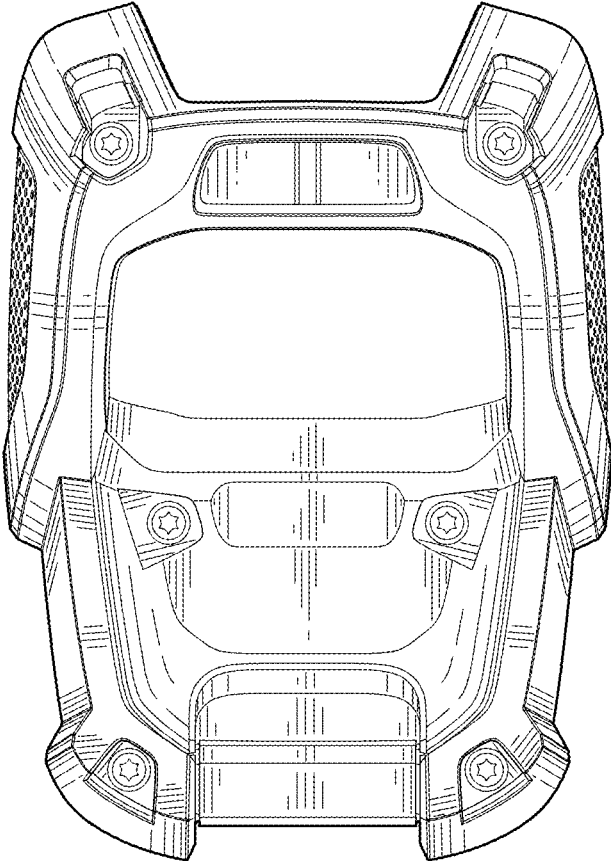


FIG. 3

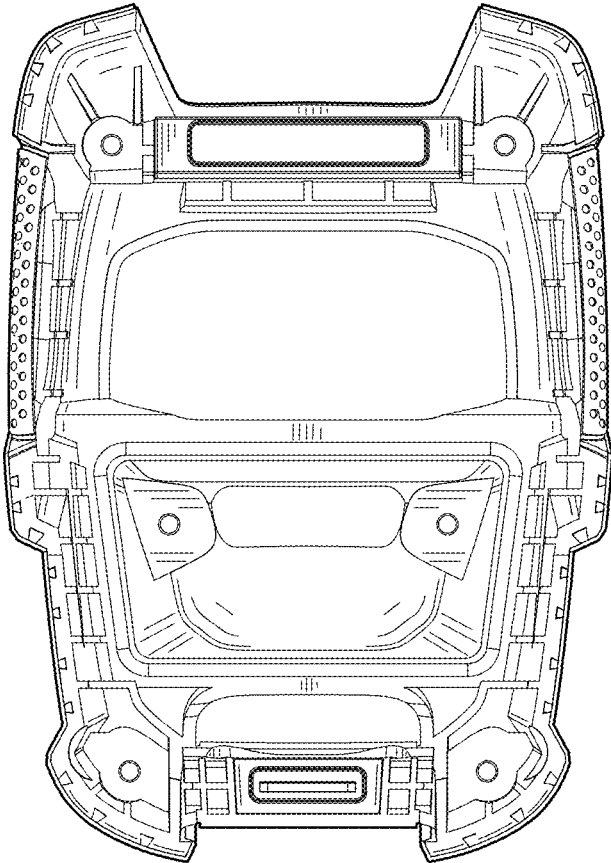


FIG. 4

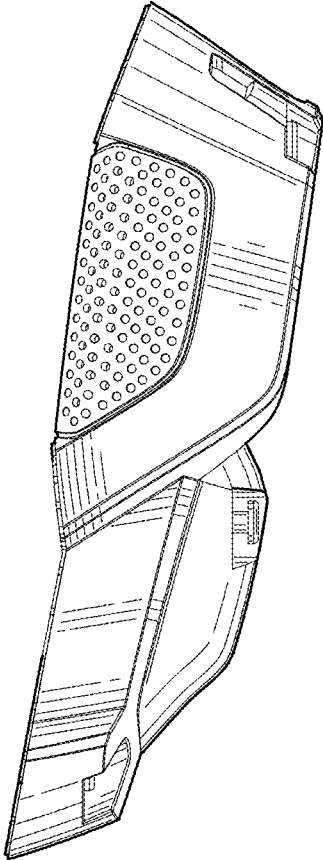


FIG. 5

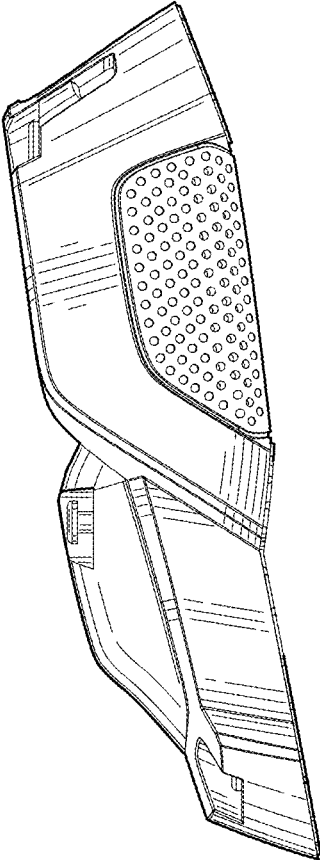


FIG. 6

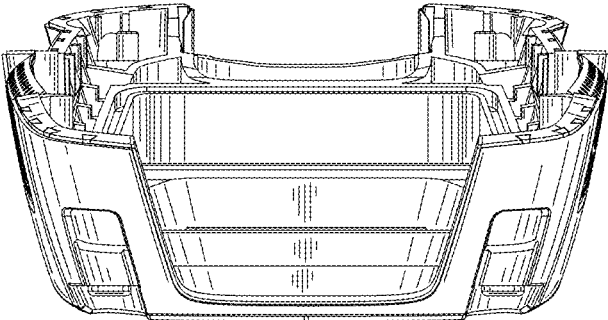


FIG. 7

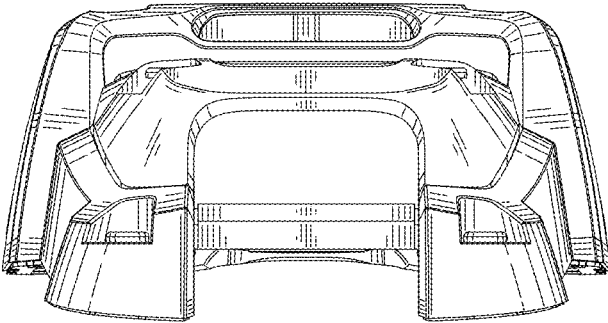


FIG. 8