



US00D674787S

(12) **United States Design Patent**
Tsuda et al.

(10) **Patent No.:** **US D674,787 S**

(45) **Date of Patent:** **** Jan. 22, 2013**

(54) **FIELD WIRELESS ACCESS POINT**

(75) Inventors: **Toshiro Tsuda**, Tokyo (JP); **Noriaki Senba**, Tokyo (JP)

(73) Assignee: **Yokogawa Electric Corporation**, Tokyo (JP)

(**) Term: **14 Years**

(21) Appl. No.: **29/417,996**

(22) Filed: **Apr. 11, 2012**

(30) **Foreign Application Priority Data**

Oct. 18, 2011 (JP) 2011-023895

(51) **LOC (9) Cl.** **14-03**

(52) **U.S. Cl.** **D14/240**

(58) **Field of Classification Search** D14/240,
D14/242, 357, 358, 140-140.9, 155, 137,
D14/139, 243, 348, 349, 351, 354, 355; 375/222;
455/557; 725/111

See application file for complete search history.

(56) **References Cited**

U.S. PATENT DOCUMENTS

D227,378 S * 6/1973 Kennedy D14/242
D514,097 S * 1/2006 De Leon D14/240

D586,810 S * 2/2009 Hershey et al. D14/358
D587,268 S * 2/2009 Hershey et al. D14/358
D592,213 S * 5/2009 Hershey et al. D14/358
D598,020 S * 8/2009 Lu et al. D14/358
2012/0050156 A1 * 3/2012 Umemoto et al. 345/156
2012/0161978 A1 * 6/2012 Sakurai 340/870.02

* cited by examiner

Primary Examiner — Bridget L Eland

(74) *Attorney, Agent, or Firm* — Sughrue Mion, PLLC

(57) **CLAIM**

The ornamental design for a field wireless access point, as shown and described.

DESCRIPTION

FIG. 1 is a perspective view of front, top plan and right side of a field wireless access point according to our new design;

FIG. 2 is a front view thereof;

FIG. 3 is a rear view thereof;

FIG. 4 is a left side view thereof;

FIG. 5 is a right side view thereof;

FIG. 6 is a top plan view thereof; and,

FIG. 7 is a bottom view thereof.

The broken lines in the drawing figures show portions of the field wireless access point that are not being claimed, and thus form no part of the claimed design.

1 Claim, 7 Drawing Sheets

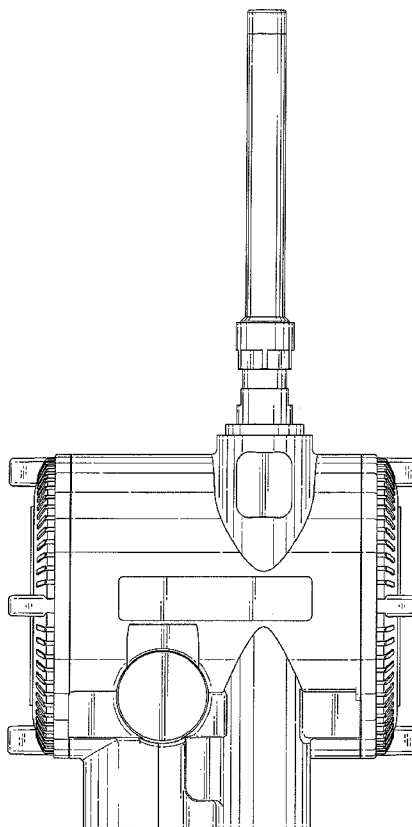
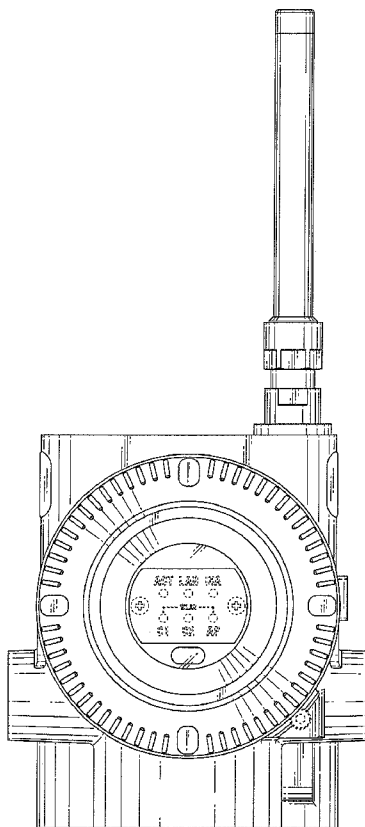


Fig. 1

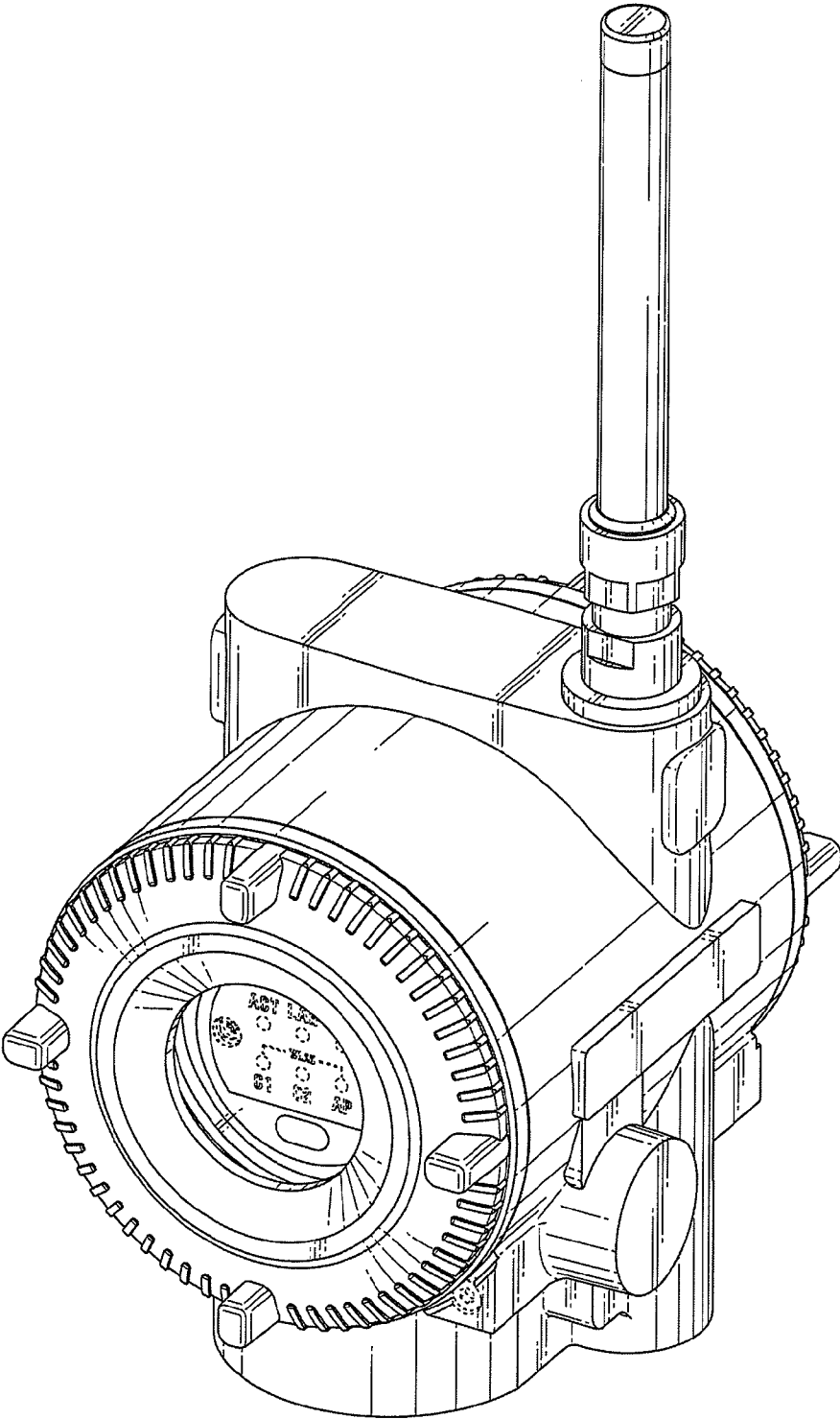


Fig. 2

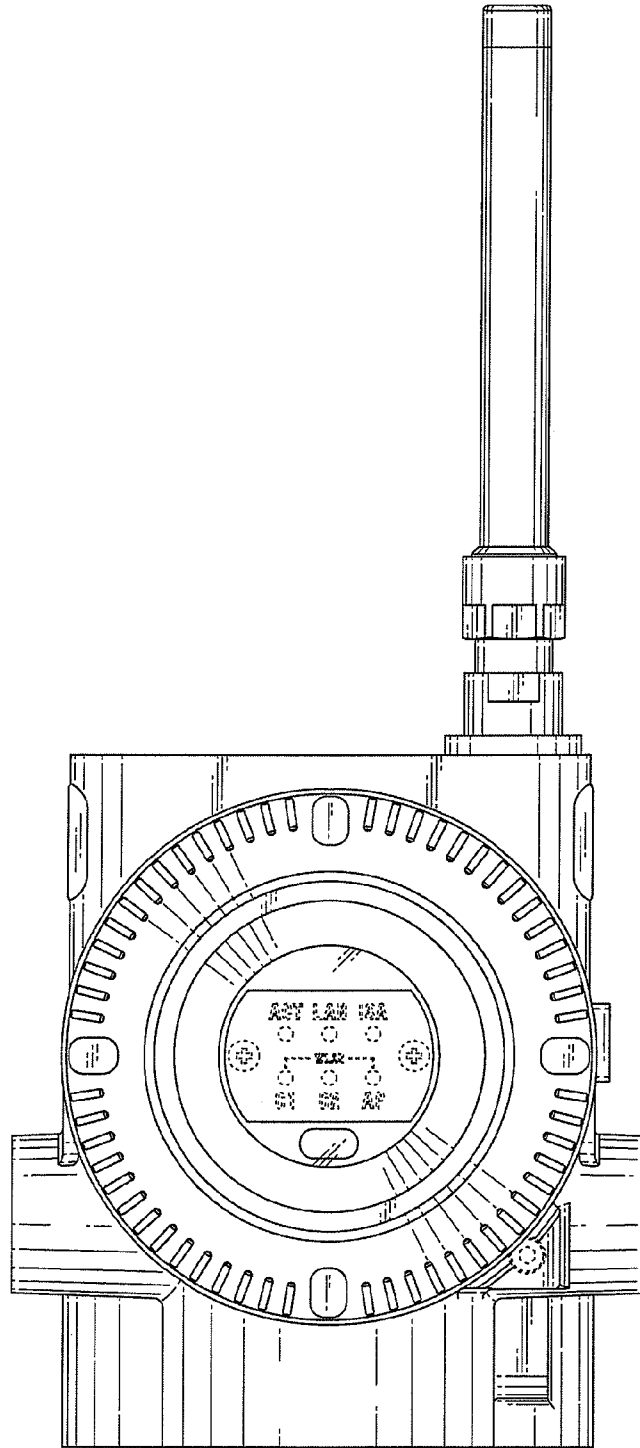


Fig. 3

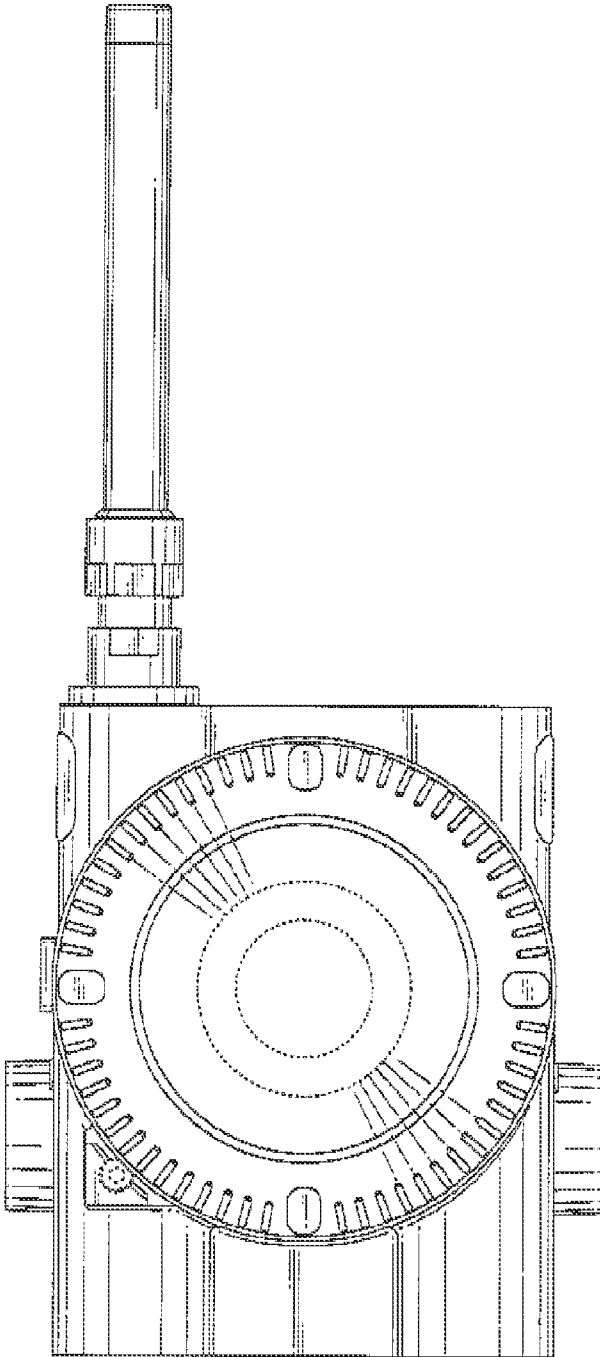


Fig. 4

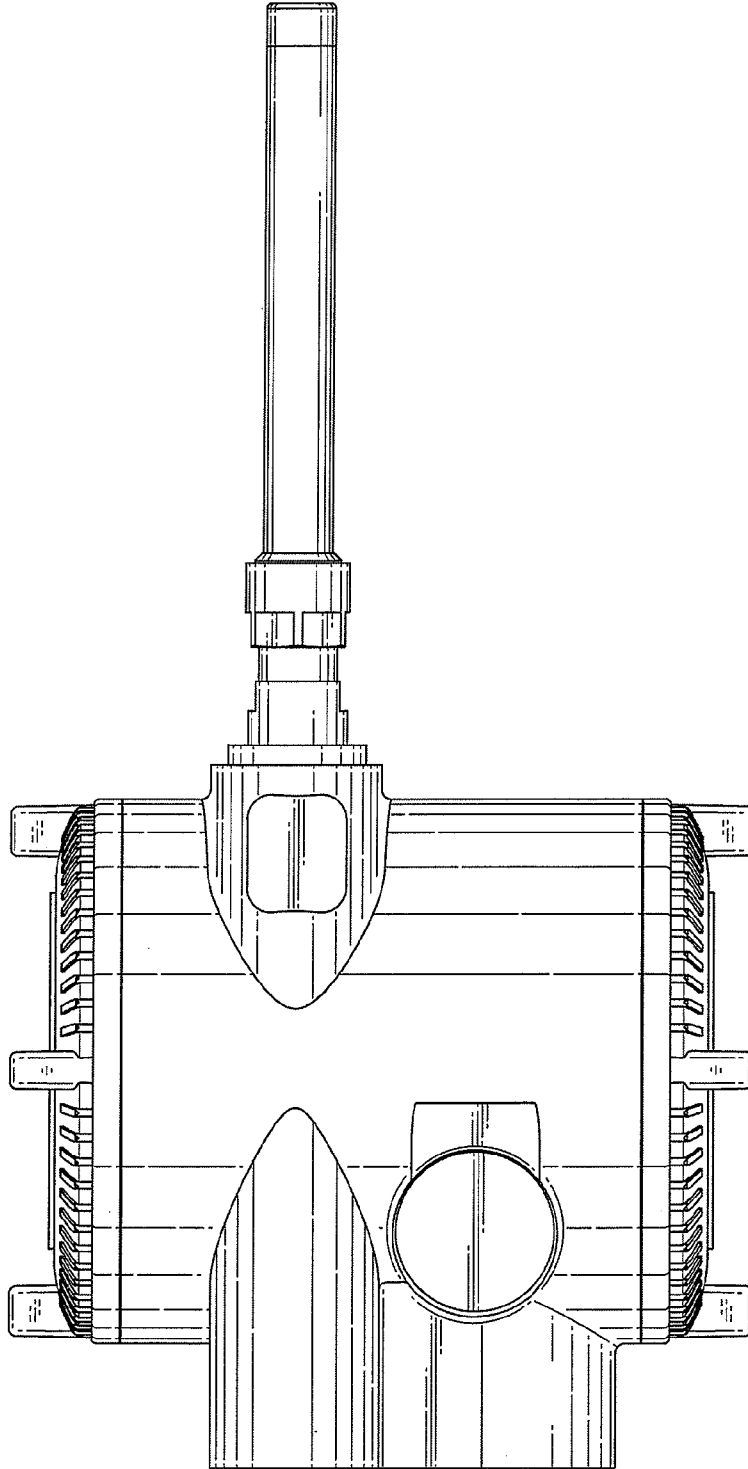


Fig. 5

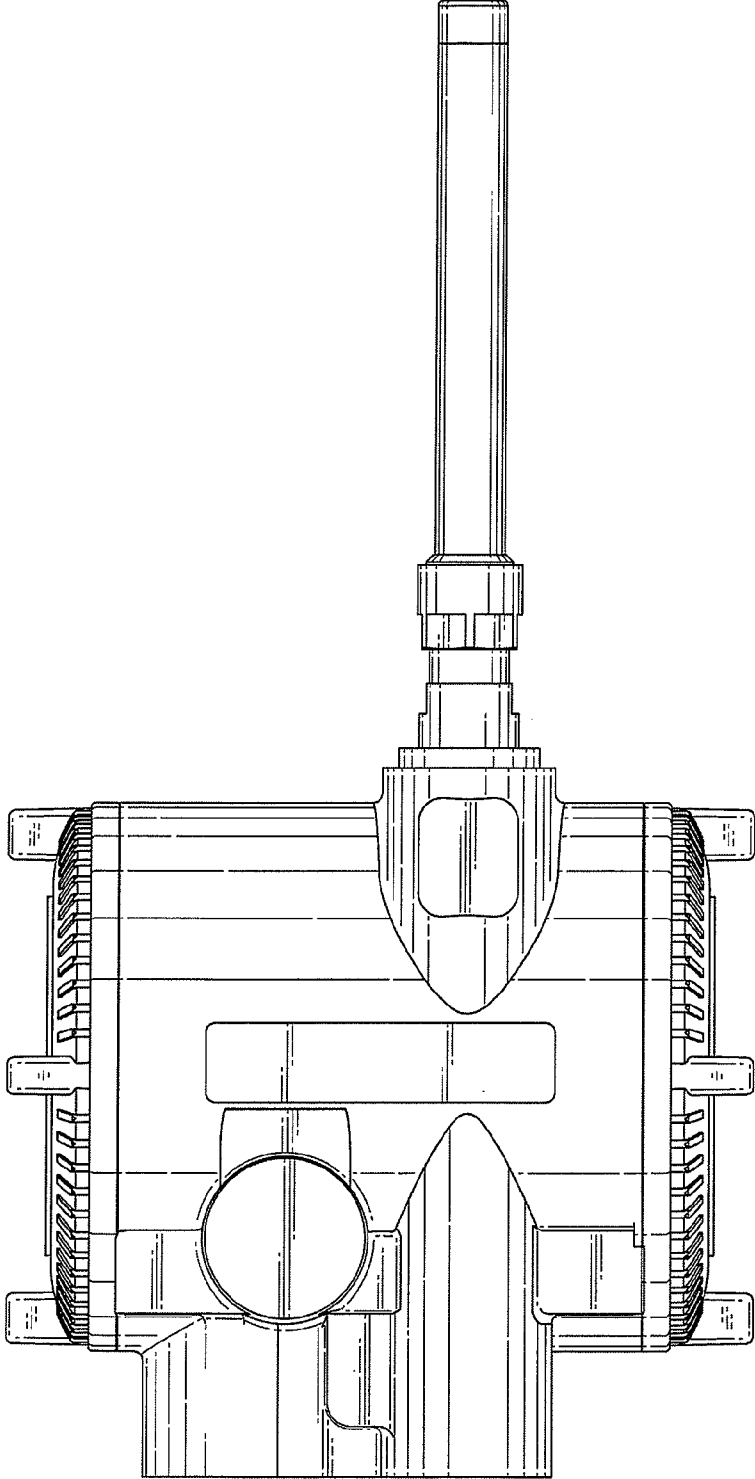


Fig. 6

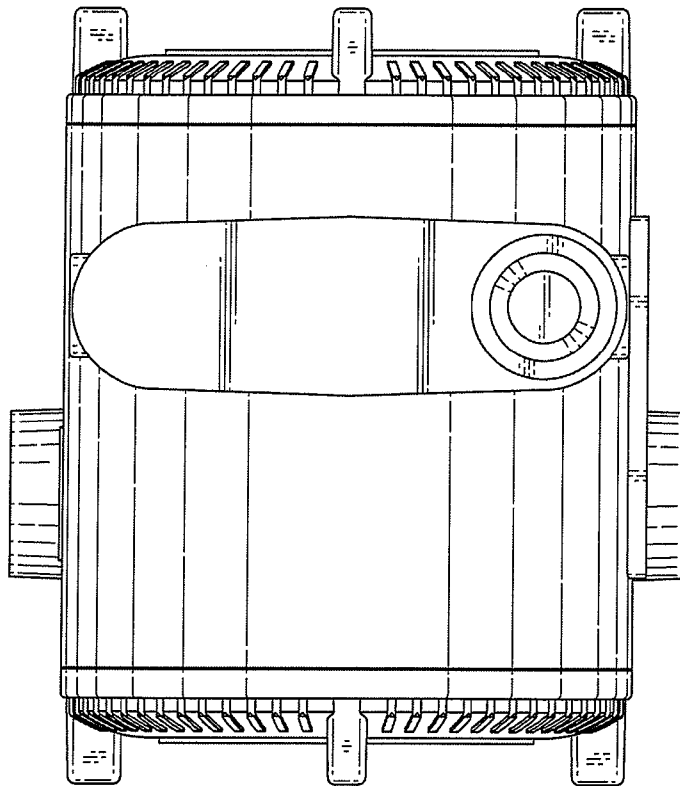


Fig. 7

