



(51) International Patent Classification:

A01G 9/10 (2006.01) A01H 4/00 (2006.01)
A01G 9/02 (2006.01) B65D 85/52 (2006.01)

(21) International Application Number:

PCT/AU2015/050698

(22) International Filing Date:

11 November 2015 (11.11.2015)

(25) Filing Language:

English

(26) Publication Language:

English

(30) Priority Data:

2014904531 11 November 2014 (11.11.2014) AU

(71) Applicant: NUPLANT PTY LTD [AU/AU]; Level 5, Toowong Towers, 9 Sherwood Road, Toowong, Queensland 4066 (AU).

(72) Inventor: TEASDALE, Robert Dixon; Level 5, Toowong Towers, 9 Sherwood Road, Toowong, Queensland 4066 (AU).

(74) Agent: GOODHEW, Chris; 3 Cory Place, Murarrie, Queensland 4172 (AU).

(81) Designated States (unless otherwise indicated, for every kind of national protection available): AE, AG, AL, AM, AO, AT, AU, AZ, BA, BB, BG, BH, BN, BR, BW, BY, BZ, CA, CH, CL, CN, CO, CR, CU, CZ, DE, DK, DM,

DO, DZ, EC, EE, EG, ES, FI, GB, GD, GE, GH, GM, GT, HN, HR, HU, ID, IL, IN, IR, IS, JP, KE, KG, KN, KP, KR, KZ, LA, LC, LK, LR, LS, LU, LY, MA, MD, ME, MG, MK, MN, MW, MX, MY, MZ, NA, NG, NI, NO, NZ, OM, PA, PE, PG, PH, PL, PT, QA, RO, RS, RU, RW, SA, SC, SD, SE, SG, SK, SL, SM, ST, SV, SY, TH, TJ, TM, TN, TR, TT, TZ, UA, UG, US, UZ, VC, VN, ZA, ZM, ZW.

(84) Designated States (unless otherwise indicated, for every kind of regional protection available): ARIPO (BW, GH, GM, KE, LR, LS, MW, MZ, NA, RW, SD, SL, ST, SZ, TZ, UG, ZM, ZW), Eurasian (AM, AZ, BY, KG, KZ, RU, TJ, TM), European (AL, AT, BE, BG, CH, CY, CZ, DE, DK, EE, ES, FI, FR, GB, GR, HR, HU, IE, IS, IT, LT, LU, LV, MC, MK, MT, NL, NO, PL, PT, RO, RS, SE, SI, SK, SM, TR), OAPI (BF, BJ, CF, CG, CI, CM, GA, GN, GQ, GW, KM, ML, MR, NE, SN, TD, TG).

Declarations under Rule 4.17:

- as to the identity of the inventor (Rule 4.17(i))
- as to applicant's entitlement to apply for and be granted a patent (Rule 4.17(ii))
- as to the applicant's entitlement to claim the priority of the earlier application (Rule 4.17(iii))
- of inventorship (Rule 4.17(iv))

[Continued on next page]

(54) Title: PLANTLET HOLDER AND HANDLING SYSTEM

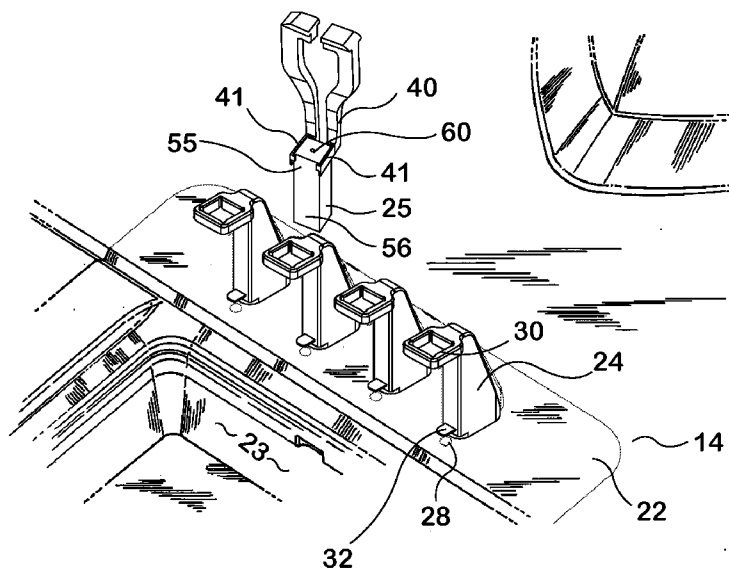


FIG. 6

(57) Abstract: A plantlet holder (25) is formed of nutrient solution-absorbing, open celled, phenolic foam, with an upper handling portion (55), an insertion well (60) for a plantlet and a lower portion (56) adapted to laterally locate in a ring (30) in a work stand (24), the handling portion (55) adapted to be frictionally gripped for robotic or manual handling. Robotic handling apparatus includes a pair of plantlet holder gripper manipulator arms (40) adapted to engage the handling portion (55) for movement of a plantlet holder (25) between a material source portion, an operator work portion (14), and a material delivery portion. The operator work portion (14) is characterised by the work stands (24) locating the plantlet holders vertically by a step portion (32).



Published:

— *with international search report (Art. 21(3))*

PLANTLET HOLDER AND HANDLING SYSTEM

FIELD OF THE INVENTION

This invention relates to a plantlet holder and a plantlet handling system in which it may be used. This invention has particular but not exclusive application to a
5 robotic plantlet holder and a plantlet handling system for handling tissue cultured plantlets, and for illustrative purposes the invention will be described with reference to this application.

BACKGROUND OF THE INVENTION

10 The reference to any prior art in this specification is not, and should not be taken as, an acknowledgement or any form of suggestion that the referenced prior art forms part of the common general knowledge in the relevant art.

Plant tissue culture typically involves growth of plants (including plantlets) under
15 usually sterile conditions in nutrient medium in glass or plastic containers. Plantlets are typically grown in groups of up to 40 individual shoots per container. After a suitable period of growth, shoot pieces or small plantlets can be dissected from the plantlets to be placed in new medium so that these will form roots or shoot growth for *ex vitro* rooting, or other tissue growth and further grow. There
20 are often more dissected pieces (shoot tips, nodal segments, or small plantlets) than in the original container. Moreover, the plantlets from which shoot pieces have been dissected will generally form new shoots that will grow and be suitable for dissection and planting. In these processes multiplication occurs.

25 In the transfer of propagated plant material between culture media or between growing environments, the transfer protocols must be selected to overcome the inherent weakness of plantlets in culture media. In WO 2009/021274 there is described a method including the steps of segregating plantlets from a tissue-culture propagation medium into a root-permeable container containing a
30 phytocompatible supporting aqueous gel medium comprising a nutrient solution gelled with an effective amount of a hydrocolloid gel-forming material, acclimating the segregated plantlets in light and air until the roots extend to the bottom of the container, and planting out the acclimated plantlet in its container.

The described method provides advantages over the prior art of the time. However, the container requires support in a tube or the like that requires manual separation for planting out. Accordingly it would be desirable to provide a plantlet holder that can support the plantlet between culture steps or between the final
5 stage of propagation and planting out directly in the container, and able to be handled mechanically.

International Application PCT/AU2010/001008 (WO 2011/014933) discloses a plantlet holder having a pair of apertures in one side disposed about a partition
10 line, and a single large aperture in the opposite side again disposed symmetrically about the partition line. The base portions are also configured to close up forming a base aperture. Handling tabs in the assembled plantlet holder present single handling portions having opposed respective handling pegs, and are adapted to be gripped by a handling robot. The handling portion doubles as a means for
15 positive orientation by engaging in use in the recess portion of the plantlet holder support.

An embodiment of the culture system includes a plantlet handling apparatus including a housing formed of a light-transmitting polypropylene, a plantlet holder
20 support similarly moulded in polypropylene, a plurality of plantlet holders, and a closure assembly.

In the robotic handling of plantlets using the above described plantlet holders, the housing containing medium and plantlets is placed in a material source space in a
25 robot workstation having a robotic arm and a second container or containers are located at a material delivery space in the workstation. The robotic arm is programmed to collect a plantlet holder or holders sequentially from the source container and/or a supply of holders, deliver the holder or holders to a worker for any one of several necessarily-manual tasks, and deliver the actioned holders to
30 the container or containers in the delivery space. The robotic arm is terminated in a gripper assembly adapted to cooperate with the handling tabs. The handling tabs also cooperate with a handling stand to support the plantlet holder at the worker space of the workstation.

International Patent Publication No. WO2012167332 included variations on the themes of robotic handling, plantlet holders and manipulation of housing lids.

- 5 In each of these prior art arrangements, a reusable plantlet holder having a polymer body formed to an apertured, open-topped container is central. It is envisaged that a single-use plantlet holder would have benefits in terms of maintaining sterility, a condition for which the prior art plantlet holders would be uneconomic.

10

SUMMARY OF THE INVENTION

- In one aspect the present invention resides broadly in a plantlet holder formed of nutrient solution-absorbing material and comprising an upper portion with an insertion point at its top for inserting a plantlet and a lower portion adapted to
15 locate in an opening in a support, the upper portion having an outer wall surface forming a handling portion adapted to be frictionally gripped for robotic or manual handling.

DESCRIPTION OF THE INVENTION

- 20 The plantlet holder may be formed of any nutrient solution absorbing material including but not limited to natural or synthetic cellulosic fibrous materials, peat, polymer foam or the like. Where the plantlet holder is formed of fibrous materials, the plantlet holder may be moulded of the material using a phytocompatible binder to form an open topped, hollow plantlet holder having porous and nutrient solution
25 absorbing walls. Alternatively a fibrous felted plantlet holder may be pierced by a hand tool to form the insertion point at its top for inserting a plantlet. Polymer foam plantlet holders are preferably formed of open celled materials and may be hollow or pierceable to form the insertion point at its top for inserting a plantlet.
- 30 The plantlet holder may be formed of an open-celled phenolic foam that readily absorbs nutrient solution selected from the type exemplified by florists foam used as a base for cut flower arrangements. Such foam may hold over 40 times its weight in water and is typified by that foam marketed as OASIS® Floral Foam.

The open celled nature of the foam and the hydrophilic nature of phenolic resin results in wicking or capillary action, which draws aqueous solutions to saturate the foam while there is solution available. The phenolic foam plantlet holder may be moulded with a plantlet insertion well in its upper end or may be pierceable to
5 form the insertion point at its top for inserting a plantlet.

The plantlet holder lower portion may be adapted to be supported in a nutrient solution in a support, whereby the entire plantlet holder becomes saturated by capillary action. Accordingly the plantlet holder may be somewhat elongate along
10 an axis running in the direction away from the plantlet insertion point. The plantlet holder may be symmetrical about one or most vertical planes including the axis. However, the plantlet holder may be asymmetric in at least one plane to accommodate arcuate movement in robotic handling as described hereinafter.

15 The plantlet holders may be formed as a matrix comprising a plurality of plantlet holders interconnected by frangible webs. In the case of the phenolic foam plantlet holders a relatively thin foam web may bind, for example, 24 foam plantlet holders in a rectangular array. The plantlet holders may be adapted for use in a housing containing nutrient solution as described hereinafter. In this example, the
20 housing may be provided with a plurality of wells. On insertion of the matrix in the housing, the individual holders are separated from the matrix by the wedging action of differential spacing between the wells and the respective plantlet holders breaking the webs.

25 The lower portion may be adapted to locate in an opening in a support by any suitable location means. Where the support is for example a support body including an aperture adapted to receive the lower end of the plantlet holder the location mean may include a tapered portion of the lower portion adapted to bind in the aperture. Alternatively, the lower portion may be separated from the upper
30 portion by a stopper portion or land adapted to engage the periphery of the aperture. For example, in the case of the phenolic foam plantlet holders formed as a matrix as described above, the residual frangible web about each plantlet holder

may comprise a stopper portion or land adapted to engage the periphery of the aperture.

5 The handling portion and lower portion may be mutually formed as an integral body of constant cross section extending from the upper end, the lower portion having a lower end adapted to locate on a step portion associated with the support. The constant cross section may be rectilinear.

10 The handling portion may be adapted for robotic or manual handling. For example, the handling portion may be a plain cylindrical section or may be polygonal to provide for positive rotational location in orientation by robotic handling means. The surface of the handling portion may be textured, treated or coated to enhance handling grip. The handling portion may be formed of phenolic foam and comprise a frangible surface which is able to be keyed in to by gripping
15 means associated with robotic or manual handling apparatus.

An important feature of automated and manual handling is to amass multiple plantlet holders in a housing that can both order the plantlet holders and maintain immersion in nutrient solution in use. In practice the housing should be closable
20 by a lid having a complementary engagement periphery adapted to mechanically and sealingly engage a corresponding peripheral lip of the housing to provide an enclosure in which sterility may be maintained.

25 The housing may be formed of any material compatible for use in conjunction with plantlet raising conditions and media. For example the housing may comprise a polypropylene tub or tray. The housing is preferably transparent or translucent. For example the housing may be made of food grade polypropylene such as that used to produce take-away food containers. The housing may include integrally formed sealing means adapted to cooperate with the lid to provide the
30 substantially airtight seal.

The housing may include an integral plantlet holder support. For example the housing may be formed with integral wells each configured to support a plantlet holder.

- 5 The housing may comprise a substantially flat bottomed enclosure for the nutrient medium and into which the supported plantlet holders depend. The void volume of nutrient medium between plantlet holders may be controlled by the use of integrally moulded void filler portions. Alternatively the housing base may be provided with re-entrants to enable close stacking of housings with the plantlet
- 10 holder support and plantlet holders installed. For example the housing base may be formed with integral recesses adapted to cooperate with upper portions of the plantlet holders whereby the upper portions are located in the integral recesses in the stack.
- 15 The closure may comprise any suitable lid adapted to close off an open top of the housing by means of a substantially airtight seal. For example the closure may comprise a lid having a complementary engagement periphery adapted to mechanically and sealingly engage a corresponding peripheral lip of the housing. In the case of the polypropylene housings described above, the common and well
- 20 developed technology in respect of sealing mechanical closure of take-away food containers may be utilized.

The maintenance of an isolated environment inside the housing by way of the mechanical seal between the housing and the closure is of course compromised

25 by opening the housing. The closure may from time to time be opened. While the acclimation environment may be kept as clean as possible, contamination may occur. It has been surprisingly determined that contamination is reduced by providing the closure with a relatively deep peripheral flange that extends downward of the housing lip to define an annular dead space that is not subject to

30 convection mixing with the environment. The flange appears to lower the risk of contamination by influencing the flow of condensation and airborne aerosols and particles entering the housing.

In a typical plantlet culture environment, a suitable flange may extend below the sealing rim of the housing sufficient to form an air gap which may avoid capillary entrapment of a water bridge across the seal. For example, the flange may extend at least 3 mm and preferably 8 to 10 mm). Preferably the annular space is narrow
5 enough to achieve the desired convection mixing control but not so narrow as to form a surface tension trap for condensation. Where a deeper flange is preferred, there may be mechanical constraints such as the need to distort the flange by a sufficient degree to open the housing. In these cases the flange may be stepped whereby the selected narrow annular space is bounded at its lower edge by an
10 outward step to a lower flange portion, whereby there is provided a lower annular space providing a degree of reduced convection mixing and of a width sufficient to permit removal of the closure from the housing and an upper annular space selected to substantially resist convection mixing.

15 The closure may have a peripheral flange that is spaced inwardly of and extends downward of the housing lip to define an annular drip line for condensation away from the lip. By this means the seal between the housing and closure does not attract and retain liquid condensate as a conduit for contamination.

20 The closure may have its selected permeability to metabolic gases produced or required by plantlets provided by inclusion of a gas permeable portion of the closure. Preferably the closure for said housing includes a gas permeable portion of either film material or fibrous material selected to allow exchange of metabolic gases produced or required by plantlets. The material may be hydrophobic or
25 hydrophilic. For example, film materials may be selected from hydrophobic polyolefin materials. Fibrous materials may comprise hydrophilic or hydrophobic fibres in a woven or non-woven mat. There may be provided a cellulosic non-woven material having a proportion of polyolefin fibre therein to permit the mat to be heat sealed to a substrate such as the closure body.

30

Hydrophobic permeability of the closure to metabolic gases may be provided by any suitable means. By hydrophobic permeability to metabolic gases it is meant that metabolically relevant transfer of metabolic gases such as CO₂ and O₂ may

relatively freely exchange through the closure. The material may be selected for its ability to control water vapour to tend water to be retained inside the housing. For example, there may be provided a closure including an annular body adapted to seal the housing closed and including a permeable closure portion closing over
5 the aperture of the annulus and formed of a gas permeable hydrophobic material.

The gas permeable hydrophobic material may be selected from axially oriented crystalline polyolefins and other suitable membranous materials, and non-woven sheet materials. For example the hydrophobically permeable material may be
10 selected from the synthetic materials, PP (Polypropylene), LDPE (low density polyethylene film), PVC (unplasticized polyvinylchloride film) and FEPC (fluorinated ethylene propylene copolymer film). An example of a non-woven hydrophilic material for making a relatively freely venting cover is KIMGUARD® microspun polypropylene fibre mat.

15

The gas permeable hydrophilic material may be selected from non-woven fibrous sheet materials, such as cellulose fibres with inclusion of a proportion of polyolefins to allow heat-sealing to the closure. The fibrous materials are selected to allow relatively free transfer of all gases, including water vapour, through the
20 sheet material, but represent a tortuous path inhibiting the entry of particulate biological contaminants.

The permeable portion may be mechanically engaged with a body portion of the closure, or may be adhered to the closure body by adhesive or heat sealing. In
25 the case of a moulded polymer closure, the closure may be formed with one or more apertures which are occluded by one or more layers of permeable material bonded or heat sealed to the inner or outer surface of the closure body. The permeable material may for example comprise biaxially oriented polypropylene (BOPP) which is able to be autoclaved for sterilization of the assembled closure
30 while being heat sealable to a polypropylene closure body.

One example of a suitable hydrophobic and permeable material is biaxially oriented polypropylene (BOPP) laminate comprising film co-extruded on one or

both sides with polyolefinic copolymers forming a heat sealable layer. Such films find applications based on the gas permeability properties, such as improving the shelf life of fresh produce and other applications requiring a high gas transfer rate. Typical values are an overall thickness of about 35 μ m, yielding 31.4 m²kg⁻¹ and
5 having permeabilities (24hr) of 2.7 Lm⁻² (O₂) and 10.8 Lm⁻² (CO₂). Water vapour permeability varies from 0.8 gm⁻² per 24 hrs at 23°C and 85%RH to 6.0 gm⁻² per 24 hrs at 38°C and 90%RH.

The containers and closures in assembly may be shipped with the plantlet holder
10 matrix installed, either preloaded with or ready to accept the nutrient medium.

In another aspect the present invention resides broadly in robotic plantlet handling apparatus including:

a workstation having an operator work portion, a material source portion, a
15 material delivery portion and a robot arm;

at least one housing located at the material source portion and containing a plurality of plantlet holders formed of nutrient solution-absorbing material and each comprising an upper portion with an insertion point at its top for inserting a plantlet and a lower portion adapted to locate in an opening in a support, the upper portion
20 having an outer wall surface forming a handling portion adapted to be frictionally gripped for handling, the housing being closable by a lid having a complementary engagement periphery adapted to mechanically and sealingly engage a corresponding peripheral lip of the housing;

at least one said housing located at said material delivery portion and
25 adapted to receive a plurality of said plantlet holders; and

a plantlet holder manipulator on said robot arm and adapted to engage said handling portion for movement of a plantlet holder between said material source portion, said operator work portion, and said material delivery portion.

30 The workstation is generally a clean space where substantially sterile materials may be handled. For example the workstation may comprise a workstation enclosure such as positive pressure, laminar flow or glove box enclosure.

The operator work portion may include one or more work stands adapted to receive and retain a plantlet holder for a worker to operate on the plantlet in the holder. The work stands may include a handling portion engagement portion adapted to cooperate with a complementary engagement portion on the handling
5 tab of the plantlet holder. The operator work portion may include lighting. The operator work portion may include robot operating controls and/or overrides. The operator work portion may include a plant tissue and nutrient waste and reject holder disposal means. The operator work portion may comprise a hinged
10 platform mounting the work stands and movable to permit changing out of a waste and reject holder located beneath an opening in the platform. The hinge may be configured to release the platform at a selected angle.

The operator work portion may include a plurality of work stands each including operator prompt means adapted to cause the operator to time actions in concert
15 with the robot arm. The operator prompt means may comprise one or more LED indicators operated by control means associated with the robot arm.

There may be provided latch means allowing the work stand to be selectively released from the operator work portion for maintenance, cleaning or replacement.
20 The work stand includes a plantlet holder support portion adapted to receive and retain a plantlet holder. For example the work stand may include an upper ring adapted to receive a plantlet holder and support same with the insertion point and handling portion above the ring.

25 The operator work portion may comprise one or more work stands each having an aperture selected to receive a plantlet holder and associated with support means for presenting the handling portion above the aperture. The handling portion and lower portion may be mutually formed as an integral body of constant cross section extending from said upper end, and wherein the support means may
30 comprise a step portion associated with the work stand on which a lower end of the lower portion locates.

The material source portion may include an array of housings. The array of housings may include location means for the respective housings to assist the robot arm operation by location of the plantlet holders within tolerance of discrete positions. The material source portion may include a closure locator to allow for storage of a lid removed from a housing and/or spare closures. The material source portion may include storage for spare plantlet holders.

The material delivery portion may include space for an array of housings. The array of housings may include location means for the respective housings to assist the robot arm operation by providing discrete locations for the plantlet holders. The material source portion may include a lid locator to allow for storage of a lid to be fitted to a housing and/or spare lids.

The workstation may include other portions selected from but not limited to a hand tool storage portion and a tool sterilization bath portions.

The robot arm may comprise a multi-axis robot arm controlled by a robotic controller and terminating in the plantlet holder manipulator. The plantlet holder manipulator may comprise a gripper assembly having a pair of jaws adapted to engage the handling portion of the plantlet holder and selectively operable under robotic control by means such as electromechanical or pneumatically actuator. The end portions of the gripper arms may be provided with a friction-modifying coating or sheathing to optimise plantlet holder handling.

The gripper assembly may be mounted on the robot arm on a rotatable cuff to enable selective deployment of the grippers by rotation of the cuff. The handling portion may be polygonal and the jaws may be of a complementary shape. In this case the lower portion of the jaws may be relieved to enable the jaws in the closed position to pass laterally into alignment with the handling portion, open, move vertically into full overlap with the handling portion, then close to grip the handling portion. By this means, when there is a mass of plant material the gripper jaws avoid snagging the material.

The actuators of the gripper assembly may be pneumatic or electromechanical.

The housing and closure therefor may be substantially as described above.

- 5 The location means may take the form of housing holders located in a workstation/robot enclosure at the material source and delivery stations. The housing holders may take the form of an aperture plate having apertures for accepting a plurality of housings. The housing holder may include latching means to provide selectively releasable, positive retention of the housing in the housing
- 10 holder. The housing may be formed with nibs formed in a side wall to cooperate with the latching means. Otherwise, the nibs may be configured to enable snap-in retention in the location means for the respective housings. The nibs may provide for handling stability, for example, when closures are being removed therefrom. The housing holder may be releasable from the workstation to change multiple
- 15 housing in or out of a workstation enclosure.

Computer controlled mechanical handling means including the robotic controller may form part of an integrated plant handling apparatus including electronic control of subsystems including one or more of plantlet holder excision and

20 assembly, sterilization of parts, mixing and dispensing of nutrient media, changeover of nutrient media, insertion of plantlets into the plantlet holder support, handling supported plantlet holders *en mass* or plantlet holders individually, or the like.

25 In a further aspect this invention resides broadly in a plant cloning method including the steps of:

- (i) providing a workstation having an operator work portion, a material source portion, a material delivery portion and a robot arm;
 - (ii) locating in said workstation at least one housing at the material source
- 30 portion and containing plantlets in a plurality of plantlet holders each formed of nutrient solution-absorbing material and comprising an upper portion with an insertion point at its top for inserting a plantlet and a lower portion adapted to locate in an opening in a support, the upper portion having an outer wall surface

forming a handling portion adapted to be frictionally gripped for handling, the housing being closed by a lid having a complementary engagement periphery adapted to mechanically and sealingly engage a corresponding peripheral lip of the housing;

- 5 (iii) locating in said workstation at least one housing at said material delivery portion and adapted to receive a plurality of said plantlet holders;
- (iv) removing said lid to a storage location;
- (v) operating said robot arm and a plantlet holder manipulator thereon to engage the handling portion of and remove a plantlet holder from the housing at
10 the material source portion and deliver the holder to a work stand adapted to receive and retain the plantlet holder for a worker to operate on the plantlet in the holder;
- (vi) operating on the plant material to produce one or more product-containing plantlet holders;
- 15 (vii) operating said robot arm and a plantlet holder manipulator thereon to engage the handling portion of and remove a plantlet holder from a work stand to a said housing at said material delivery portion;
- (viii) repeating step (vii) to exhaust product bearing plantlet holders on work stands;
- 20 (ix) repeating steps (v) to (viii) until a said housing at said material delivery portion is loaded; and
- (x) installing said lid on said loaded housing.

The methods of the present invention are amenable to robotic implementation.

- 25 For example there may be provided a robotic platform comprising a six-axis robot that operates in a sterile laminar flow cabinet with suitably high precision such as 0.02 mm repeatability and speed such as up to 4.4 m/s.

- 30 For use in a cloning mode, a batch of up to nine containers (for example 216 plantlet holders) may be loaded consisting of up to three sealed containers of input plantlets (ready for subculture) that are sprayed with alcohol (surface decontamination) as they are loaded into a tray that quickly snaps into the robotic platform. Up to six output containers with empty plantlet holders are similarly

inserted into trays; these are pre-absorbed with nutrient medium. The container lids may be removed to a storage area within the sterile cabinet.

In the basic cloning mode, the first two plantlet holders (with plantlets) from the first input container are, in sequence, gripped by the robotic fingers and transferred to two corresponding plantlet holder-stands where they are suspended in front of the operator, alongside two output plantlet holders similarly transferred from the first output container. The operator readily excises a shoot (or other tissue) from the first input plantlet and transfers this to the first output plantlet holder, and signals completion using foot or other controls.

The robot fingers grip the finished output plantlet holder and quickly returns this to an empty position in the output container, then return with a replacement plantlet holder. Similarly, when all available dissections have been made from the first input plantlet holder, the operator may signal this with foot or other controls, and it is removed to the input container, and replaced. The operator thereby may always have at least one input plantlet and one empty output plantlet holder available to continue working, with the robot removing and replacing these as signalled.

While a cycle time of about six seconds is short, the operator is not rushed but has only to make the key dissection in a very accessible position, and directly controls the timing.

There may be several other options within the cloning program. Different types of explants may grow differently, so that separation is desirable. For example, micro-cutting methods typically produce tips and nodes; tips will root more rapidly and grow vertically from the apex, whereas with nodes rooting is often delayed until an axillary shoot develops, which will be at an angle to the stem, and multiple shoots often form. The present system allows optional grading of input and output plants.

30

A graphic interface may report progress in plan view. For example, a screen image may be placed for dissection and may visually illustrate status. The system may also facilitate rapid grading without dissection, such as for quality control and

consolidation before shipping. The cycle time for grading is typically under three seconds per plantlet. Image-processing for automatic grading may also be included.

- 5 One feature of the system is the ability to change medium, and this may be performed with minimal operator input. Input containers and corresponding receiving containers with the new (liquid) medium are loaded and positions designated and viewable in the screen image. Feedback on progress is also provided graphically. Transfer time may be approximately three seconds per
10 plantlet, and operators can attend to other duties while a set of four pairs of containers are transferred. Speed and other variables are readily adjusted through a configuration page.

The robotic system also may provide data and image collection capability, allowing
15 tracking of individual plantlets through all subcultures through to nursery transfer. Such tracking may provide clients with data for further improvement of subculture and growth regimes. It may also provide a management tool to flag time and location for collection of plantlets for dissection or other transfers, and monitoring of operator performance for positive feedback.

20

BRIEF DESCRIPTION OF THE DRAWINGS

The invention will be described with reference to the following non-limiting embodiment of the invention as illustrated in the drawings and wherein:

25 Fig. 1 is a perspective view of a robotic arrangement for use with the plantlet holder of the present invention;

Fig. 2 is a detail view of the work stand portion of the apparatus of Fig. 1 in use;

Fig. 3 is a detail view of a work stand for use with the apparatus of Fig. 1;

30 Fig. 4 is a detail view of a plantlet holder in accordance with the present invention;

Fig. 5 is an exploded perspective view of a plantlet handling system in accordance with the present invention;

Fig. 6 is a detail view of a work stand portion of an alternative embodiment, in use;

Fig.7 is a detail view of a plantlet holder in a workstand for use in the embodiment of Fig. 6;

5 Fig. 8 is a detail view of a work stand for use with the apparatus of Fig. 6;

Fig. 9 is a detail view of a plantlet holder for use with the apparatus of Fig. 6;

Fig. 10 is an exploded perspective view of a plantlet handling system in accordance with the embodiment of Fig.6; and

10 Fig. 11 is an exploded view of a pair of gripper manipulator arms suitable for use in the embodiment of Fig. 6.

In Figs. 1 and 2 there is illustrated the workstation 10 with the laminar-flow cabinet substantially cut-away for clarity. A platform 11 mounts a multi-axis robotic arm 12
15 located within an array comprising a material source portion 13, an operator workstation portion 14 and a delivery portion 15. The robot arm 12 mounts a tool assembly 16 described in detail hereinafter.

The material source portion 12 includes a removable, apertured plate 17 having
20 wells for locating plantlet handling containers 18. The delivery portion 15 has a removable, apertured plate 20 having wells for locating plantlet handling containers to be filled. A lid storage plate 21 stores closure assemblies 29 for closing the housings 18 when filled.

25 The operator portion 14 comprises a hinged and removable plate 22 having a waste well including a disposable waste container 23. Four work stands 24 (illustrated in more detail in Fig. 3) are adapted to receive plantlet holders 25 described in more detail hereinafter. The plate 22 has an LED indicator 28 corresponding to each work stand 24, the respective LED indicators 28 being
30 collectively wired to a quick release connector (not shown) to permit removal of the plate 22.

As illustrated in Fig. 3, the work stand 24 includes a body 26 releasably secured to the plate 22 and having an overhanging upper portion 27. A ring 30 is adapted to receive a plantlet holder 25. An undercut engagement portion 31 cooperates with the platform 22 to locate the work stand.

5

The tool head 16 includes a rotating tool mount 36 rotatable relative to the robot arm 12. The rotating tool mount 36 mounts a tool assembly 38 consisting of a pair of gripper manipulator arms 40. The arms 40 each have a gripper end 41. The arms 40 are actuated by a pneumatic actuator 43. The gripper ends 41 are
10 configured in this embodiment to grip a hexagonal section and are relieved at 44 to allow an "in-and-down" engagement with the plantlet holder 25, found to be most useful when the plant material is crowded over the plantlet holder 25.

In the embodiment of Figs. 4 and 5 there is provided a plantlet handling apparatus,
15 wherein Fig. 4 is a variation on a plantlet holder 25 having a square handling portion and Fig. 5 is of the apparatus in context, including a housing 18 formed of a light-transmitting polypropylene, a plurality of the plantlet holders 25, and a closure assembly 29.

20 A unitary phenolic open-celled foam plantlet holder 25 comprises an upper handling portion 55, a lower portion 56 and a support portion 57. The upper handling portion 55 is of square section and has a plantlet insertion well 60 formed therein and extending down through the plantlet holder to a blind end within the lower portion 56. The lower portion 56 is asymmetric in that a front portion 61 is
25 relieved toward its lower end to allow it to clear features of its environment on arcuate movement.

The support portion 57 supports the plantlet holder 25 in the ring 30 and is formed of the residue of a frangible web 62 binding a matrix 63 of twenty-four plantlet
30 holders 25, as seen in Fig. 5.

In the assembly of a plant handling apparatus of Fig. 5, the housing 18 comprises side 74 and end 75 walls which are divergent up from a base wall 76 to provide for

stackability of the housings 18. The upper edges 77 of the side and end walls form a reinforced edge including a mechanical engagement for the closure assembly 29. There is provided a step 80 in the side 74 and end 75 walls and providing an annular land on the inside of the housing 18. The base wall 76 is
5 formed with re-entrant portions which enable the apparatus to be stacked complete with inserted plantlet holders 25 for shipping.

The base wall of the housing 18 has integrally formed plantlet holder support wells 87 in array and shaped to accept the plantlet holders 25 and providing positive
10 orientation of the plantlet holder 25. The spacing of the wells 87 is selected to break apart the matrix 63 on insertion.

The closure assembly 29 comprises a polypropylene moulded body portion 110 having formed in the upper surface a pair of windows 111 formed in a raised
15 portion 112 which provides some stiffening of the upper surface. The upper surface is bounded by a peripheral stiffening ridge 113.

An outer flange 116 extends down past the upper edge 77 in use to define a dead space which resists convection mixing.
20

The windows 111 are closed off by a biaxially oriented polypropylene (BOPP) film heat sealed to the raised portion 112 in order to provide a closure assembly that is substantially sealed to the housing to reduce the risk of biological contamination while permitting exchange of metabolic gases.
25

The containers 18 and closures 29 in assembly may be shipped with the matrix 63 installed, either preloaded with or ready to accept the nutrient medium.

In the alternative embodiment of Figs. 6 to 11, where like details are numerated as
30 per Figs. 1 to 5, the four work stands 24 (illustrated in more detail in Figs. 7 and 8) are adapted to receive phenolic foam plantlet holders 25 described in more detail hereinafter.

As illustrated in Figs. 7 and 8, the work stand 24 includes a ring 30, in this embodiment adapted to receive a plain square section plantlet holder 25. The plain square section plantlet holder 25 is located as to height by resting on a step portion 32.

5

In this embodiment a pair of gripper manipulator arms 40 each have a gripper end 41. The gripper ends 41 are configured in this embodiment to grip a square section and are relieved at 44 to allow an "in-and-down" engagement with the plantlet holder 25, found to be most useful when the plant material is crowded over the plantlet holder 25. A locating nib 45 on the gripping face of each gripper end 41 penetrates the phenolic foam surface of the handling portion 55 in use, providing positive location of the plantlet holder 25 in its manipulations. The nib 45 is domed and about 2mm diameter and less than 1mm height

10

15 A unitary phenolic open-celled foam plantlet holder 25 is of constant square cross section.

Apparatus in accordance with the foregoing embodiments are mechanical devices that support individual tissue culture plantlets, allowing them to be readily handled as individuals for transfers between tissue culture flasks, and transfer ex-vitro to soil or other growing medium. The plantlet holder provides a solid projection for mechanical gripping and movement of individual plantlets without touching the plantlet shoots or roots directly.

20

25 While illustrated with application of micro-propagation methods, the plantlet holder system is applicable to many types of plant tissue culture, including organogenesis or somatic embryogenesis, and to transformation/regeneration systems. The plantlet holder system can be used with manual methods of handling using forceps and similar gripping tools; the system is also suitable for machine controlled tools to facilitate mechanized handling methods.

30

The components of the robotic consumables facilitate positioning and handling features for rapid loading of the custom robotic platform and removal and storage

of lids. All components have been designed for manufacturing and assembly efficiency, and will nest and stack in all assembly variations for volume efficiency in transport, sterilisation, media filling, and laboratory storage and tissue culture growth. Space efficiency is high with typical growing density (per layer) of 1000
5 plantlets/m².

The present plantlet holder system enables rapid and efficient robotic handling. Plantlets are conveniently presented to operators in an ergonomically appropriate way for easy dissection and transfer, with presentation interval of approximately
10 six seconds. Operator efficiency is increased about five-fold over conventional tissue culture. These capabilities of the present system provide a powerful platform that radically changes the efficiency, capacity, quality and management of plant tissue culture operations. It is adaptable to different plant architectures, making it suitable for most, if not all, tissue culture systems. The flexible control of
15 growth conditions may also make tissue culture successful with targets that are otherwise recalcitrant. More importantly, with the price sensitivity of many prospective targets, cost reductions possible from the present system can dramatically increase market demand.

20 It will of course be realised that while the above has been given by way of illustrative example of this invention, all such and other modifications and variations thereto as would be apparent to persons skilled in the art are deemed to fall within the broad scope and ambit of this invention as is set forth herein.

CLAIMS

1. A plantlet holder formed of nutrient solution-absorbing material and comprising an upper portion with an insertion point at its top for inserting a plantlet and a lower portion adapted to locate in an opening in a support, the upper portion having an outer wall surface forming a handling portion adapted to be frictionally gripped for robotic or manual handling.
2. A plantlet holder according to claim 1, wherein the nutrient solution-absorbing material is selected from natural or synthetic cellulosic fibrous materials, peat, and polymer foam.
3. A plantlet holder according to claim 2, wherein the polymer foam is open-celled phenolic foam.
4. A plantlet holder according to claim 3, wherein the phenolic foam plantlet holder is moulded with a plantlet insertion well in its upper end.
5. A plantlet holder according to claim 1, wherein the plantlet holder lower portion is adapted to be supported in a nutrient solution in a support, whereby the plantlet holder becomes saturated by capillary action.
6. A plantlet holder according to claim 1, wherein the plantlet holder is asymmetric in at least one plane to accommodate arcuate movement in robotic handling.
7. A plantlet holder according to claim 1, wherein the plantlet holders are formed as a matrix comprising a plurality of plantlet holders interconnected by frangible webs.
8. A plantlet holder according to claim 7, wherein the plantlet holder is formed of phenolic foam and the frangible webs are integral foam maintaining the plantlet holders in a rectangular array.

9. A plantlet holder according to claim 7, wherein the plantlet holders are adapted for use in a housing containing nutrient solution and including a plurality of wells, whereby insertion of the matrix in the housing caused the individual holders to be separated from the matrix by the wedging action of differential spacing between the wells and the respective plantlet holders.

10. A plantlet holder according to claim 1, wherein the lower portion locates in an opening in a support and rests on a stopper portion or land adapted to engage the periphery of the opening and separating the lower portion and upper portion.

11. A plantlet holder according to claim 10, wherein a matrix comprising a plurality of plantlet holders interconnected by frangible webs are formed of phenolic foam and maintain the plantlet holders in an array, the residual frangible web about each plantlet holder comprising said stopper portion or land.

12. A plantlet holder according to claim 1, wherein the handling portion and lower portion are mutually formed as an integral body of constant cross section extending from said upper end, said lower portion having a lower end adapted to locate on a step portion associated with said support.

13. A plantlet holder according to claim 12, wherein the constant cross section is rectilinear.

14. A plantlet holder according to claim 7 or claim 12, wherein the handling portion is selected from a plain cylindrical section and a polygonal section.

15. A plantlet holder according to claim 7 or claim 12, wherein the surface of the handling portion is textured, treated or coated to enhance handling grip.

16. A plantlet holder according to claim 15, formed of phenolic foam and wherein the handling portion comprises a frangible surface which is able to be keyed in to by gripping means associated with robotic or manual handling apparatus.

17. A plantlet handling system including:
 - a plurality of plantlet holders each according to any one of claims 1 to 16;
 - a housing adapted to order the plantlet holders and maintain immersion in nutrient solution in use;
 - a lid having a complementary engagement periphery adapted to mechanically and sealingly engage a corresponding peripheral lip of the housing to provide an enclosure in which sterility may be maintained.
18. A plantlet handling system according to claim 17, wherein the housing comprises a polypropylene tub or tray.
19. A plantlet handling system according to claim 17, wherein the housing includes integral wells each configured to support a plantlet holder.
20. A plantlet handling system according to claim 17, wherein the closure includes a relatively deep peripheral flange that extends downward of the housing lip to define an annular dead space that is not subject to convection mixing with the environment.
21. A plantlet handling system according to claim 17, wherein the closure is selectively permeability to metabolic gases produced or required by plantlets by means of inclusion of a gas permeable portion of the closure.
22. A plantlet handling system according to claim 21, wherein the gas permeable portion is formed of either film material or fibrous material selected to allow exchange of metabolic gases produced or required by plantlets.
23. A plantlet handling system according to claim 22, wherein the gas permeable portion is formed of cellulosic non-woven material having a proportion of polyolefin fibre therein.

24. A plantlet handling system according to claim 21, wherein the closure comprises an annular body adapted to seal the housing and including a permeable closure portion closing over the aperture of the annulus and formed of a gas permeable hydrophobic material.

25. A plantlet handling system according to claim 24, wherein the gas permeable hydrophobic material is selected from axially oriented crystalline polyolefins.

26. A plantlet handling system according to claim 24, wherein the closure is formed with one or more said apertures which are occluded by one or more layers of permeable material bonded or heat sealed to the inner or outer surface of the closure body.

27. A plantlet handling system according to claim 24, wherein the permeable material comprises biaxially oriented polypropylene (BOPP).

28. A plantlet handling system according to claim 27, wherein the permeable material comprises said biaxially oriented polypropylene (BOPP) laminate co-extruded on one or both sides with polyolefinic copolymers forming a heat sealable layer.

29. Robotic plantlet handling apparatus including:

 a workstation having an operator work portion, a material source portion, a material delivery portion and a robot arm;

 at least one housing located at the material source portion and containing a plurality of plantlet holders according to any one of Claims 1 to 16, the housing being closable by a lid having a complementary engagement periphery adapted to mechanically and sealingly engage a corresponding peripheral lip of the housing;

 at least one said housing located at said material delivery portion and adapted to receive a plurality of said plantlet holders; and

a plantlet holder manipulator on said robot arm and adapted to engage said handling portion for movement of a plantlet holder between said material source portion, said operator work portion, and said material delivery portion.

30. Robotic plantlet handling apparatus according to claim 29, wherein the workstation comprises a workstation enclosure selected from a positive pressure, laminar flow or glove box enclosure.

31. Robotic plantlet handling apparatus according to claim 29, wherein the robot arm comprises a multi-axis robot arm controlled by a robotic controller and terminating in the plantlet holder manipulator.

32. Robotic plantlet handling apparatus according to claim 29, wherein the plantlet holder manipulator comprises a gripper assembly having a pair of jaws adapted to engage the handling portion of the plantlet holder and selectively operable between an open and closed position under robotic control by a pneumatic actuator.

33. Robotic plantlet handling apparatus according to claim 32, wherein the handling portion is polygonal and the jaws are of a complementary shape.

34. Robotic plantlet handling apparatus according to claim 33, wherein a lower portion of the jaws is relieved to enable the jaws in the closed position to pass laterally into alignment with the handling portion, open, move vertically into full overlap with the handling portion, then close to grip the handling portion.

35. Robotic plantlet handling apparatus according to Claim 29, wherein the operator work portion comprises one or more work stands each having an aperture selected to receive a said plantlet holder and associated with support means for presenting said handling portion above said aperture.

36. Robotic plantlet handling apparatus according to Claim 35, wherein the handling portion and lower portion are mutually formed as an integral body of

constant cross section extending from said upper end, and wherein said support means comprises a step portion associated with said work stand on which a lower end of said lower portion locates.

37. A plant cloning method including the steps of:

- (i) providing a workstation having an operator work portion, a material source portion, a material delivery portion and a robot arm;
- (ii) locating in said workstation at least one housing at the material source portion and containing plantlets in a plurality of plantlet holders each according to any one of Claims 1 to 16, the housing being closed by a lid having a complementary engagement periphery adapted to mechanically and sealingly engage a corresponding peripheral lip of the housing;
- (iii) locating in said workstation at least one housing at said material delivery portion and adapted to receive a plurality of said plantlet holders;
- (iv) removing said lid to a storage location;
- (v) operating said robot arm and a plantlet holder manipulator thereon to engage the handling portion of and remove a plantlet holder from the housing at the material source portion and deliver the holder to a work stand adapted to receive and retain the plantlet holder for a worker to operate on the plantlet in the holder;
- (vi) operating on the plant material to produce one or more product-containing plantlet holders;
- (vii) operating said robot arm and a plantlet holder manipulator thereon to engage the handling portion of and remove a plantlet holder from a work stand to a said housing at said material delivery portion;
- (viii) repeating step (vii) to exhaust product bearing plantlet holders on work stands;
- (ix) repeating steps (v) to (viii) until a said housing at said material delivery portion is loaded; and
- (x) installing said lid on said loaded housing.

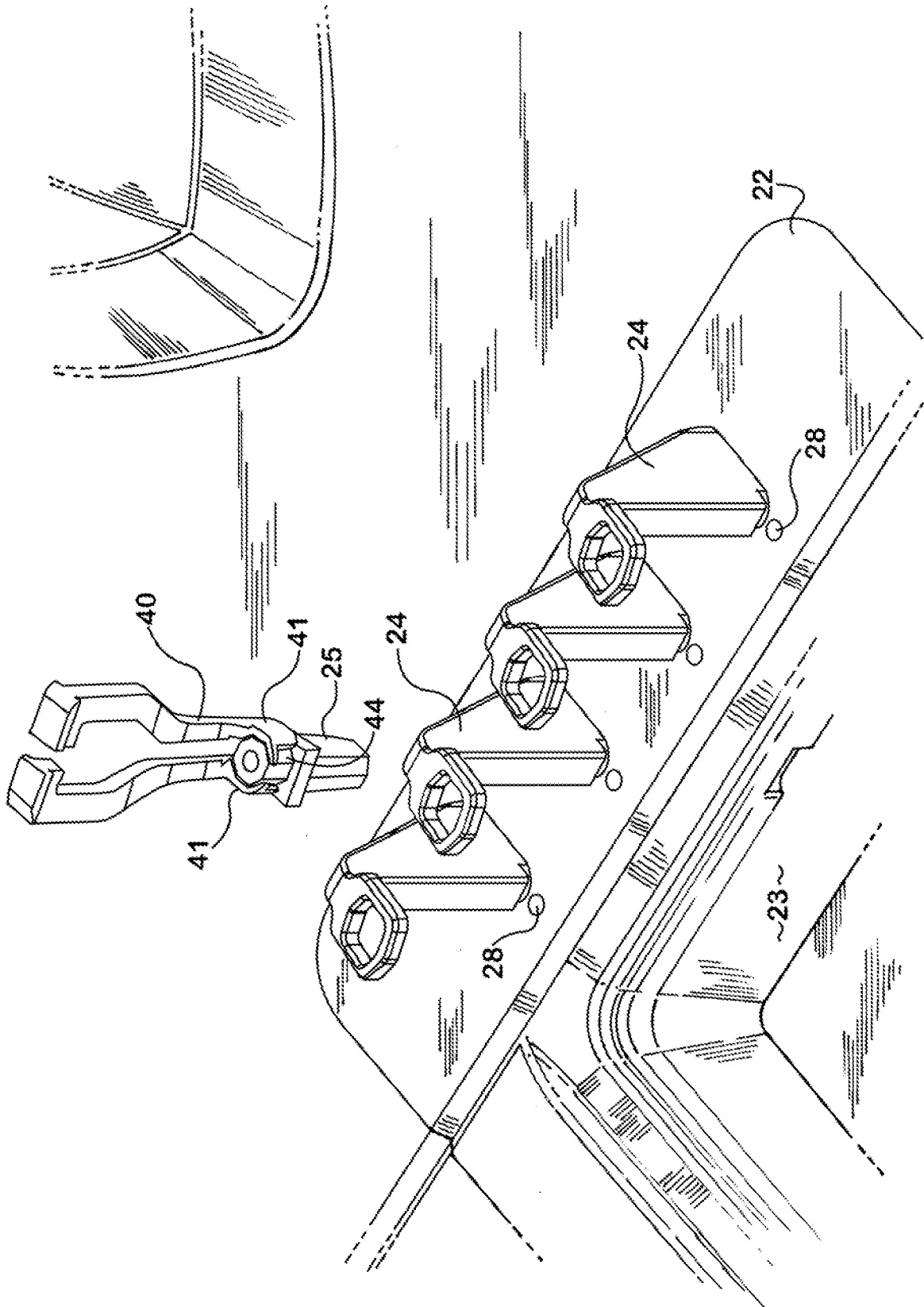


FIG 2

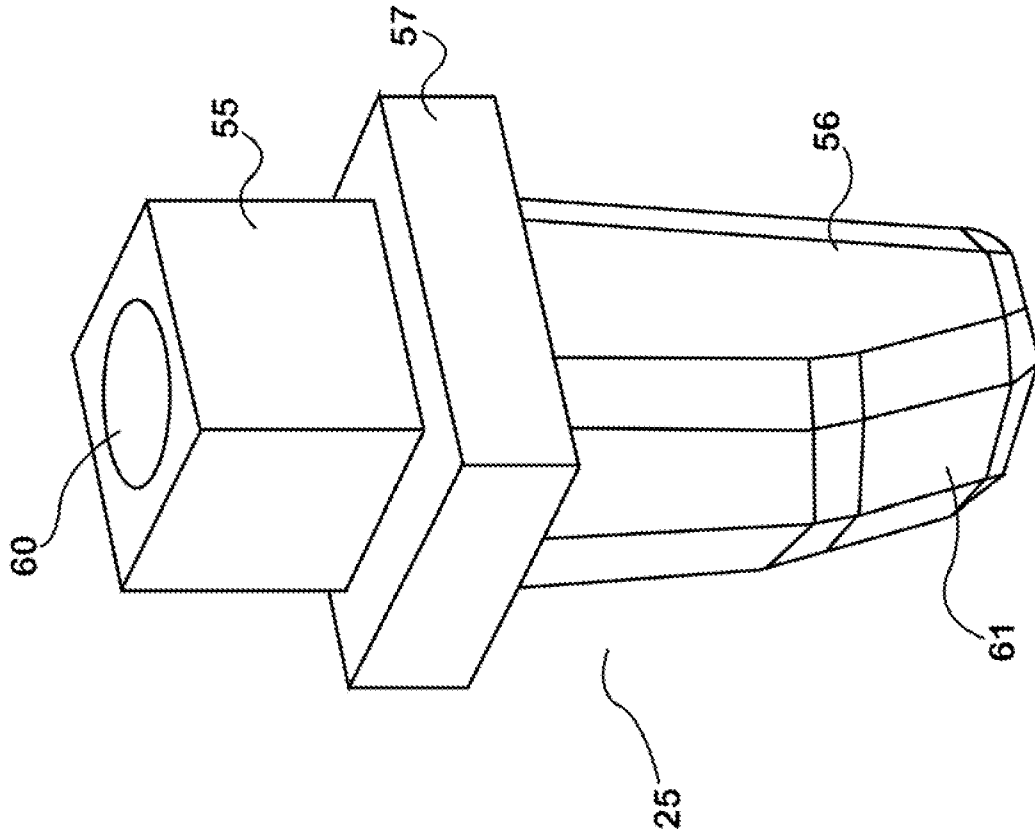


FIG 4

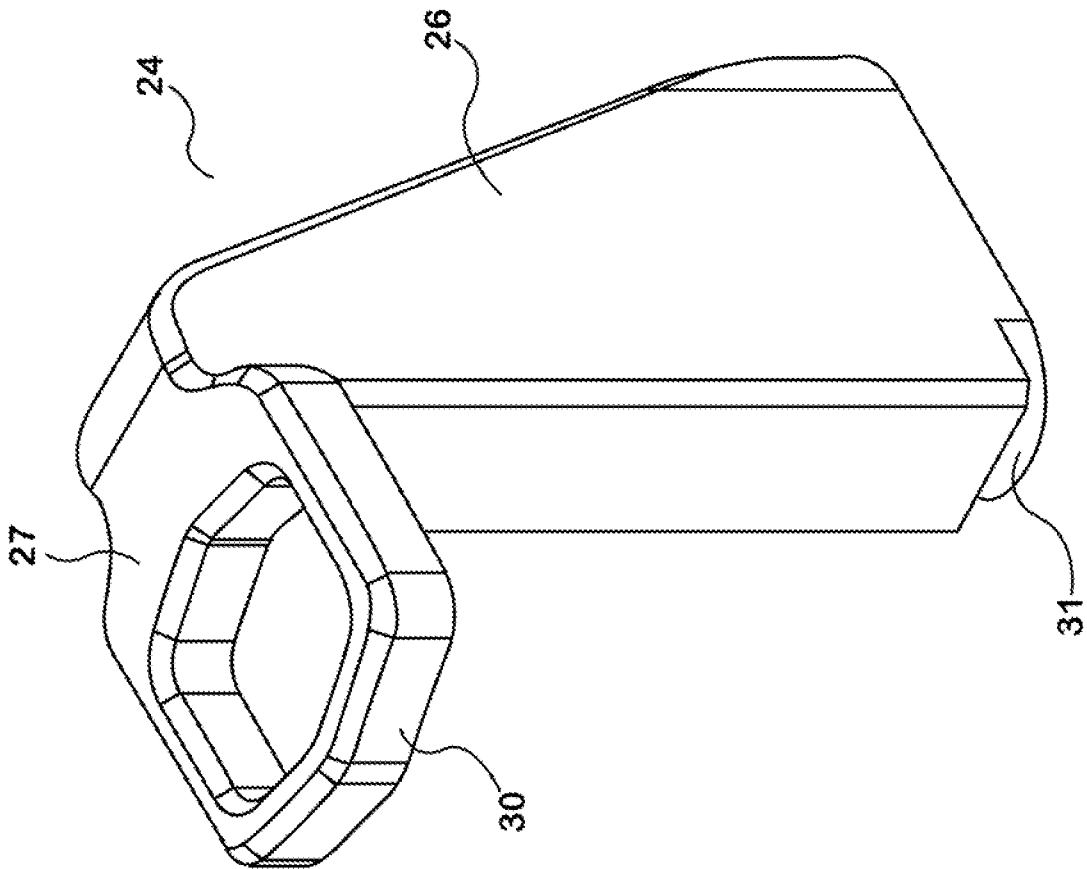


FIG 3

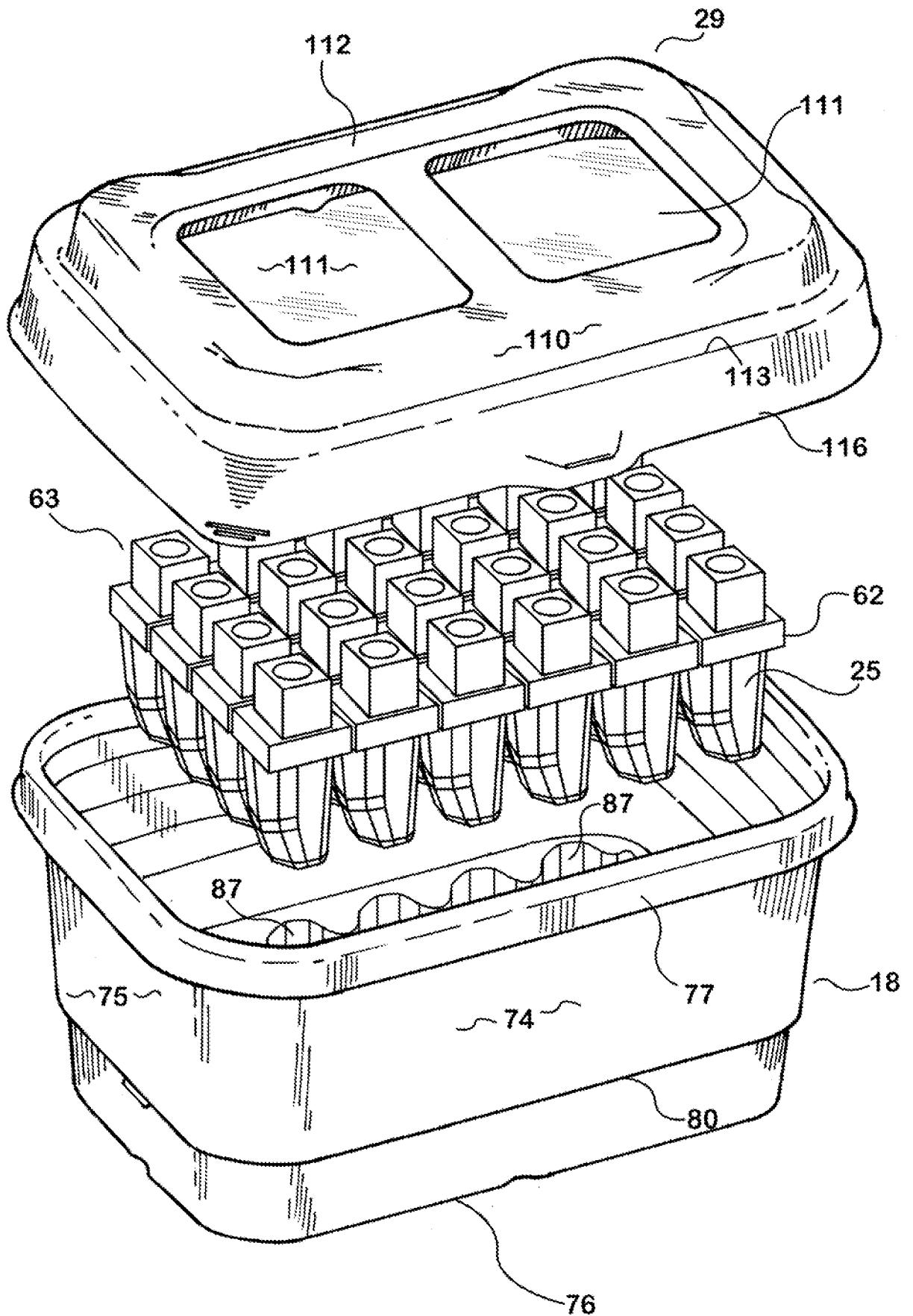


FIG 5

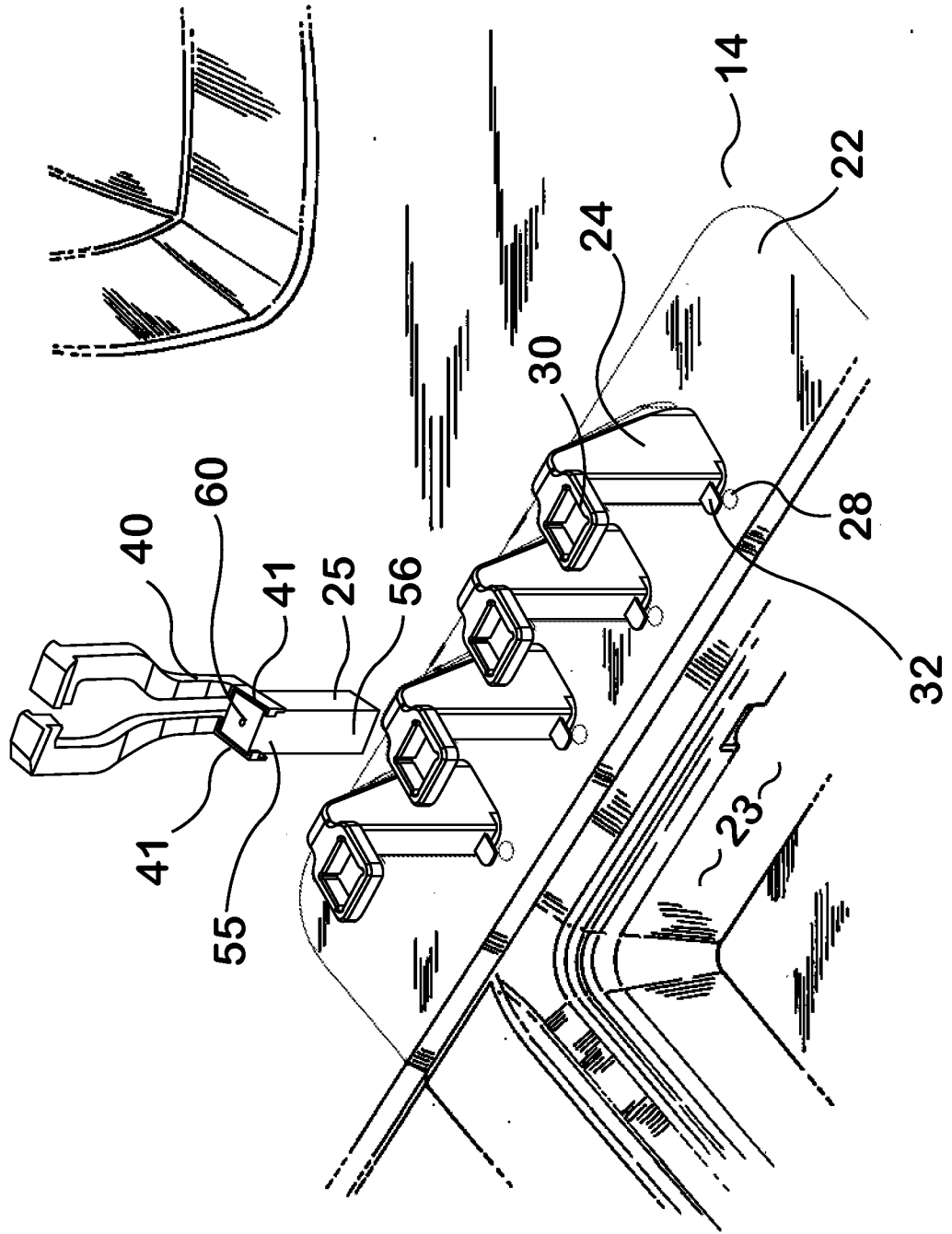


FIG. 6

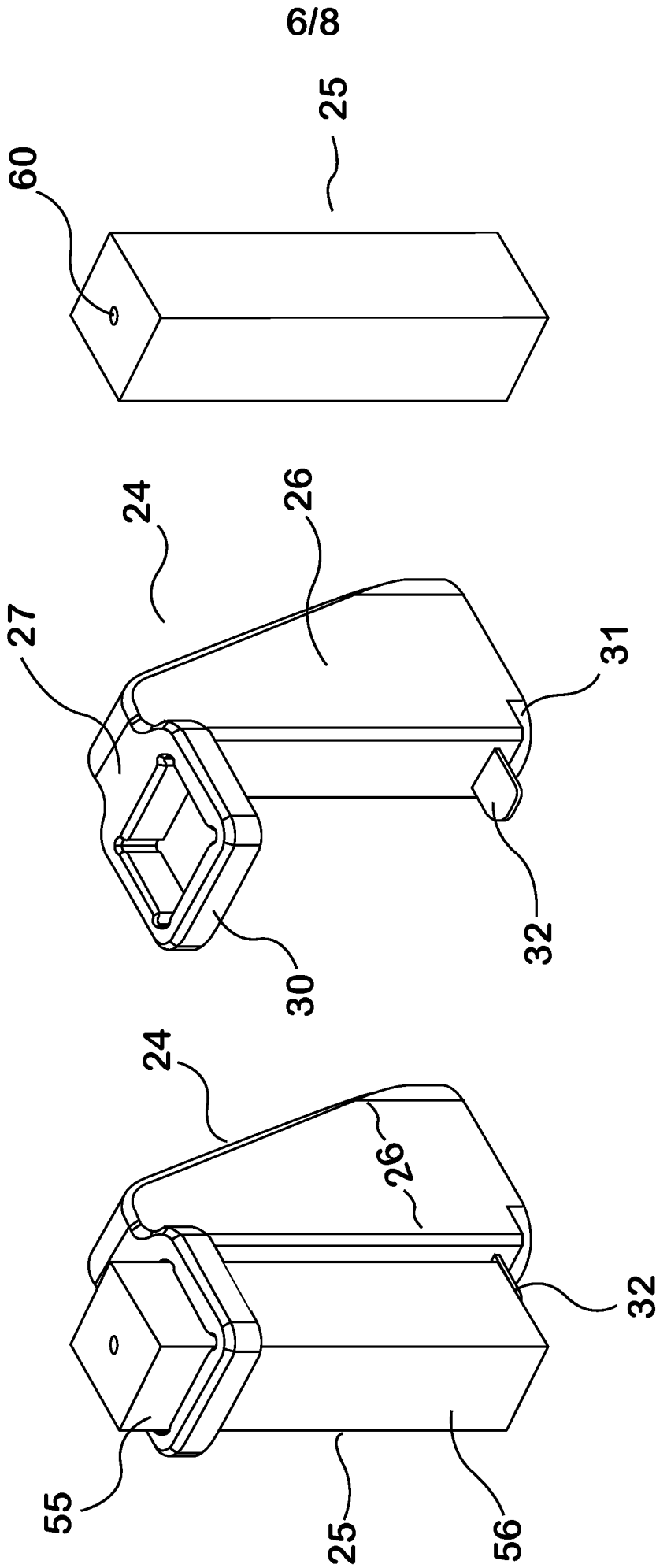


FIG. 9

FIG. 8

FIG. 7

7/8

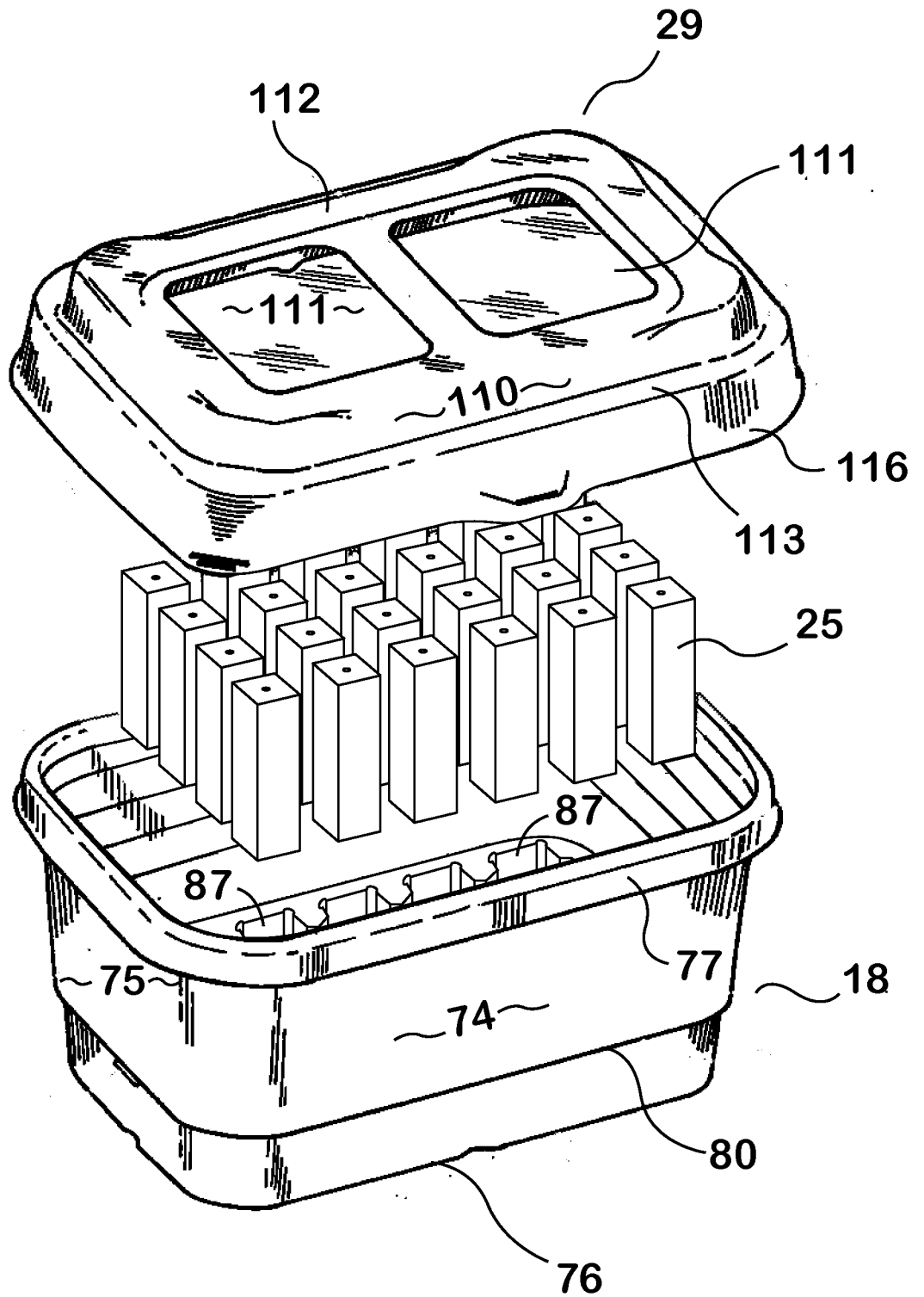


FIG. 10

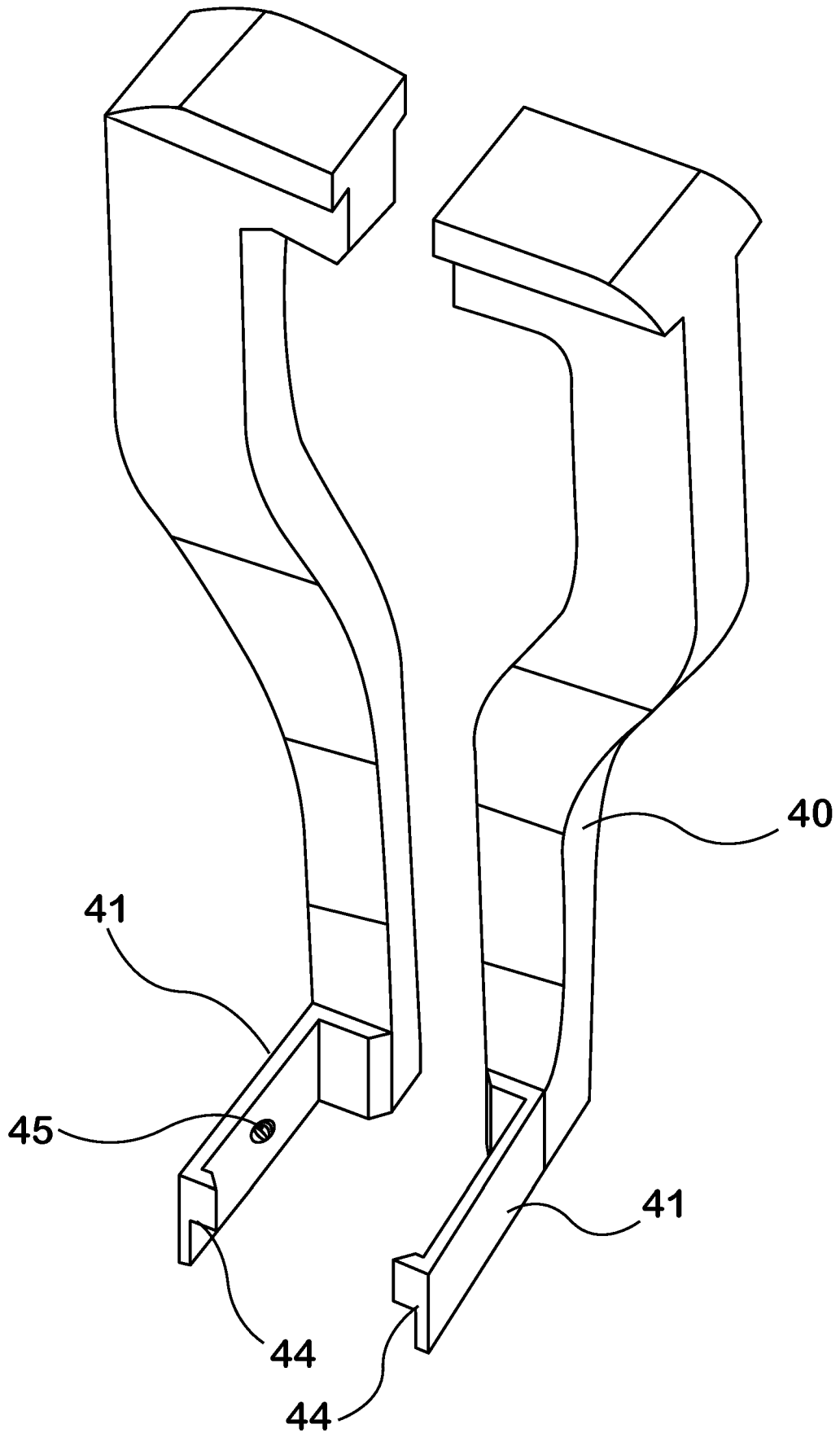


FIG. 11

INTERNATIONAL SEARCH REPORT

International application No.

PCT/AU2015/050698

A. CLASSIFICATION OF SUBJECT MATTER		
A01G 9/10 (2006.01) A01G 9/02 (2006.01) A01H 4/00 (2006.01) B65D 85/52 (2006.01)		
According to International Patent Classification (IPC) or to both national classification and IPC		
B. FIELDS SEARCHED		
Minimum documentation searched (classification system followed by classification symbols)		
Documentation searched other than minimum documentation to the extent that such documents are included in the fields searched		
Electronic data base consulted during the international search (name of data base and, where practicable, search terms used)		
Database EPODOC, WPIAP, IPC/CPC marks A01G9, A01H, B65D85/50, B65D85/52, hold, contain, receptacle, pot, plant, seed, shoot, nutrient, feed, food, water, liquid, nourish, supplement, absorb, collect, attract, sponge, hand, manipulate, grab, grip, grasp, hold, claw, jaw, finger, friction, robot, auto, compute, machine, cultivate, grow, horticultural, crop, grow and like terms.		
Applicant and inventor name searches using ESPACE and IP Australia internal databases.		
Google Patents Search Query using keywords: hold, plant, seed, feed, water, liquid, absorb, collect, grab, grip, robot, cultivate, grow and like terms		
ESPACENET Search Query using keywords like plant hold absorb and like terms		
C. DOCUMENTS CONSIDERED TO BE RELEVANT		
Category*	Citation of document, with indication, where appropriate, of the relevant passages	Relevant to claim No.
	Documents are listed in the continuation of Box C	
<input checked="" type="checkbox"/> Further documents are listed in the continuation of Box C <input checked="" type="checkbox"/> See patent family annex		
* "A"	Special categories of cited documents: document defining the general state of the art which is not considered to be of particular relevance	"T" later document published after the international filing date or priority date and not in conflict with the application but cited to understand the principle or theory underlying the invention
"E"	earlier application or patent but published on or after the international filing date	"X" document of particular relevance; the claimed invention cannot be considered novel or cannot be considered to involve an inventive step when the document is taken alone
"L"	document which may throw doubts on priority claim(s) or which is cited to establish the publication date of another citation or other special reason (as specified)	"Y" document of particular relevance; the claimed invention cannot be considered to involve an inventive step when the document is combined with one or more other such documents, such combination being obvious to a person skilled in the art
"O"	document referring to an oral disclosure, use, exhibition or other means	"&" document member of the same patent family
"P"	document published prior to the international filing date but later than the priority date claimed	
Date of the actual completion of the international search 9 February 2016	Date of mailing of the international search report 09 February 2016	
Name and mailing address of the ISA/AU AUSTRALIAN PATENT OFFICE PO BOX 200, WODEN ACT 2606, AUSTRALIA Email address: pct@ipaaustralia.gov.au	Authorised officer Behzad Vafa AUSTRALIAN PATENT OFFICE (ISO 9001 Quality Certified Service) Telephone No. 0262256132	

Box No. II Observations where certain claims were found unsearchable (Continuation of item 2 of first sheet)

This international search report has not been established in respect of certain claims under Article 17(2)(a) for the following reasons:

1. Claims Nos.:
because they relate to subject matter not required to be searched by this Authority, namely:
the subject matter listed in Rule 39 on which, under Article 17(2)(a)(i), an international search is not required to be carried out, including
2. Claims Nos.:
because they relate to parts of the international application that do not comply with the prescribed requirements to such an extent that no meaningful international search can be carried out, specifically:
3. Claims Nos.:
because they are dependent claims and are not drafted in accordance with the second and third sentences of Rule 6.4(a)

Box No. III Observations where unity of invention is lacking (Continuation of item 3 of first sheet)

This International Searching Authority found multiple inventions in this international application, as follows:

See Supplemental Box for Details

1. As all required additional search fees were timely paid by the applicant, this international search report covers all searchable claims.
2. As all searchable claims could be searched without effort justifying additional fees, this Authority did not invite payment of additional fees.
3. As only some of the required additional search fees were timely paid by the applicant, this international search report covers only those claims for which fees were paid, specifically claims Nos.:
4. No required additional search fees were timely paid by the applicant. Consequently, this international search report is restricted to the invention first mentioned in the claims; it is covered by claims Nos.:

Remark on Protest

- The additional search fees were accompanied by the applicant's protest and, where applicable, the payment of a protest fee.
- The additional search fees were accompanied by the applicant's protest but the applicable protest fee was not paid within the time limit specified in the invitation.
- No protest accompanied the payment of additional search fees.

INTERNATIONAL SEARCH REPORT		International application No.
C (Continuation). DOCUMENTS CONSIDERED TO BE RELEVANT		PCT/AU2015/050698
Category*	Citation of document, with indication, where appropriate, of the relevant passages	Relevant to claim No.
X Y	JP 2006-020594 A (OTANI KUMIKO) 26 January 2006 & English abstract and translation retrieved from Espacenet and Google Patents. English translation; abstract, figures 1-8, paragraph [0010]-[0018] English translation; abstract, figures 1-8, paragraph [0010]-[0018]	1-5 6-8, 10-16
X Y	JP 2002-186370 A (PHYTOCULTURE CONTROL CO LTD) 02 July 2002 & English abstract and translation retrieved from ESPACENET. English translation, figures 1-5, paragraphs [0007], [0023], [0025], [0031]-[0034] English translation, figures 1-5, paragraphs [0007], [0023], [0025], [0031]-[0034]	1-5 12-16
Y	WO 2011/162608 A1 (VISSER'S-GRAVENDEEL HOLDING B.V.) 29 December 2011 & English abstract and translation retrieved from Espacenet and Google Patents. Abstract, figures 1-8D, page 4, lines 25-33, page 10, lines 18-33, page 12, line 25 - page 14, line 2	6-8, 10-16
Y	WO 2011/014933 A1 (NUPLANT PTY LTD) 10 February 2011 Abstract, pages 20-23, figures 1-16	6, 10, 12-13

Supplemental Box**Continuation of: Box III**

This International Application does not comply with the requirements of unity of invention because it does not relate to one invention or to a group of inventions so linked as to form a single general inventive concept.

This Authority has found that there are different inventions based on the following features that separate the claims into distinct groups:

- Claims 1-16 are directed to A plantlet holder formed of nutrient solution-absorbing material. The feature of the means to an upper portion with an insertion point at its top for inserting a plantlet and a lower portion adapted to locate in an opening in a support, the upper portion having an outer wall surface forming a handling portion adapted to be frictionally gripped for robotic or manual handling is specific to this group of claims.
- Claims 17-28 are directed to a plantlet handling system. The feature of the means to a plurality of plantlet holders each according to any one of claims 1 to 16; a housing adapted to order the plantlet holders and maintain immersion in nutrient solution in use; a lid having a complementary engagement periphery adapted to mechanically and sealingly engage a corresponding peripheral lip of the housing to provide an enclosure in which sterility may be maintained is specific to this group of claims.
- Claims 29-36 are directed to Robotic plantlet handling apparatus. The feature of the means to a workstation having an operator work portion, a material source portion, a material delivery portion and a robot arm; at least one housing located at the material source portion and containing a plurality of plantlet holders according to any one of Claims 1 to 16, the housing being closable by a lid having a complementary engagement periphery adapted to mechanically and sealingly engage a corresponding peripheral lip of the housing;
- at least one said housing located at said material delivery portion and adapted to receive a plurality of said plantlet holders; and a plantlet holder manipulator on said robot arm and adapted to engage said handling portion for movement of a plantlet holder between said material source portion, said operator work portion, and said material delivery portion is specific to this group of claims.
- Claim 37 is directed to a plant cloning method. The feature of the means to (i) providing a workstation having an operator work portion, a material source portion, a material delivery portion and a robot arm;
- (ii) locating in said workstation at least one housing at the material source portion and containing plantlets in a plurality of plantlet holders each according to any one of Claims 1 to 16, the housing being closed by a lid having a complementary engagement periphery adapted to mechanically and sealingly engage a corresponding peripheral lip of the housing;
- (iii) locating in said workstation at least one housing at said material delivery portion and adapted to receive a plurality of said plantlet holders;
- (iv) removing said lid to a storage location;
- (v) operating said robot arm and a plantlet holder manipulator thereon to engage the handling portion of and remove a plantlet holder from the housing at the material source portion and deliver the holder to a work stand adapted to receive and retain the plantlet holder for a worker to operate on the plantlet in the holder;
- (vi) operating on the plant material to produce one or more product-containing plantlet holders;
- (vii) operating said robot arm and a plantlet holder manipulator thereon to engage the handling portion of and remove a plantlet holder from a work stand to a said housing at said material delivery portion;
- (viii) repeating step (vii) to exhaust product bearing plantlet holders on work stands;
- (ix) repeating steps (v) to (viii) until a said housing at said material delivery portion is loaded; and
- (x) installing said lid on said loaded housing is specific to this group of claims.

PCT Rule 13.2, first sentence, states that unity of invention is only fulfilled when there is a technical relationship among the claimed inventions involving one or more of the same or corresponding special technical features. PCT Rule 13.2, second sentence, defines a special technical feature as a feature which makes a contribution over the prior art.

When there is no special technical feature common to all the claimed inventions there is no unity of invention.

Supplemental Box

In the above groups of claims, the identified features may have the potential to make a contribution over the prior art but are not common to all the claimed inventions and therefore cannot provide the required technical relationship. The only feature common to all of the claimed inventions and which provides a technical relationship among them is "Claim 1: A plantlet holder formed of nutrient solution-absorbing material and comprising an upper portion with an insertion point at its top for inserting a plantlet and a lower portion adapted to locate in an opening in a support, the upper portion having an outer wall surface forming a handling portion adapted to be frictionally gripped for robotic or manual handling."

However this feature does not make a contribution over the prior art because it is disclosed in:
D1 as per the novelty objection.

Therefore in the light of this document this common feature cannot be a special technical feature. Therefore there is no special technical feature common to all the claimed inventions and the requirements for unity of invention are consequently not satisfied *a posteriori*.

This search and examination report covers all of claims 1-37.

INTERNATIONAL SEARCH REPORT

Information on patent family members

International application No.

PCT/AU2015/050698

This Annex lists known patent family members relating to the patent documents cited in the above-mentioned international search report. The Australian Patent Office is in no way liable for these particulars which are merely given for the purpose of information.

Patent Document/s Cited in Search Report		Patent Family Member/s	
Publication Number	Publication Date	Publication Number	Publication Date
JP 2006-020594 A	26 January 2006	JP 2006020594 A	26 Jan 2006
JP 2002-186370 A	02 July 2002	JP 2002186370 A	02 Jul 2002
WO 2011/162608 A1	29 December 2011	WO 2011162608 A1	29 Dec 2011
		EP 2584885 A1	01 May 2013
		US 2012005955 A1	12 Jan 2012
		US 8887438 B2	18 Nov 2014
WO 2011/014933 A1	10 February 2011	WO 2011014933 A1	10 Feb 2011
		AU 2010281302 A1	22 Mar 2012
		AU 2010281302 B2	03 Dec 2015
		EP 2525647 A1	28 Nov 2012
		NZ 598476 A	27 Sep 2013
		US 2012137581 A1	07 Jun 2012

End of Annex

Due to data integration issues this family listing may not include 10 digit Australian applications filed since May 2001.

Form PCT/ISA/210 (Family Annex)(July 2009)