



US00D394101S

United States Patent [19]

Hayashi et al.

[11] Patent Number: Des. 394,101

[45] Date of Patent: **May 5, 1998

[54] VENTILATING FAN

[75] Inventors: **Kyo Hayashi; Hitoshi Miura**, both of Aichi, Japan

[73] Assignees: **Matsushita Electric Industrial Co., Ltd.; Matsushita Seiko Co., Ltd.**, both of Japan

[**] Term: **14 Years**

[21] Appl. No.: **74,238**

[22] Filed: **Jul. 29, 1997**

[30] **Foreign Application Priority Data**

May 3, 1997 [JP] Japan 9-6531

[51] LOC (6) CL **23-04**

[52] U.S. Cl. **D23/370; D23/371; D23/385**

[58] Field of Search **D23/370, 371, D23/385; 416/5; 454/349, 354, 329**

[56] **References Cited**

U.S. PATENT DOCUMENTS

2,828,682 4/1958 Marker 454/354
5,620,370 4/1997 Umai et al. 454/354

Primary Examiner—Lisa Lichtenstein
Attorney, Agent, or Firm—SAIDMAN DesignLaw Group

[57] **CLAIM**

The ornamental design for a ventilating fan, as shown.

DESCRIPTION

FIG. 1 is a perspective view of the front, bottom and left side of a ventilating fan showing our new design;

FIG. 2 is a front elevational view thereof;

FIG. 3 is a rear elevational view thereof;

FIG. 4 is a top plan view thereof;

FIG. 5 is a bottom view thereof;

FIG. 6 is a left side view thereof; and,

FIG. 7 is a right side view thereof.

1 Claim, 5 Drawing Sheets

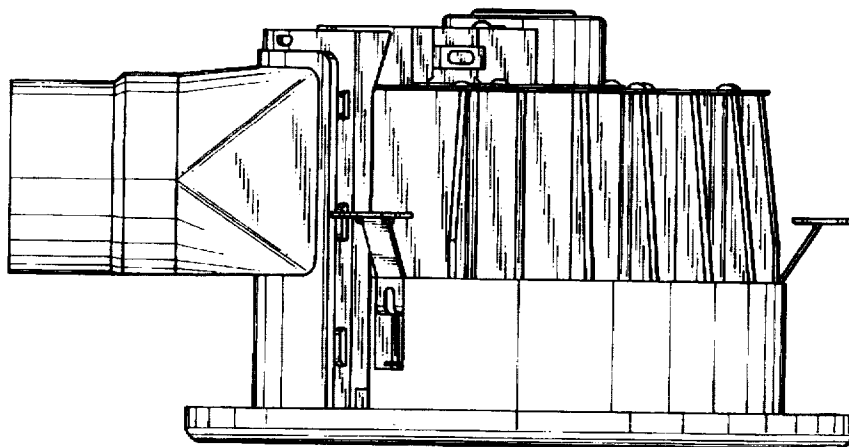
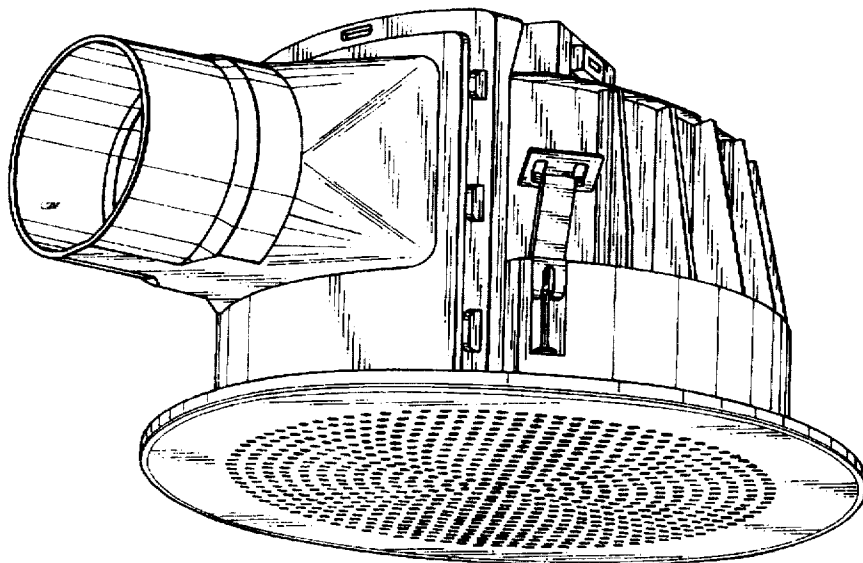


Fig. 1

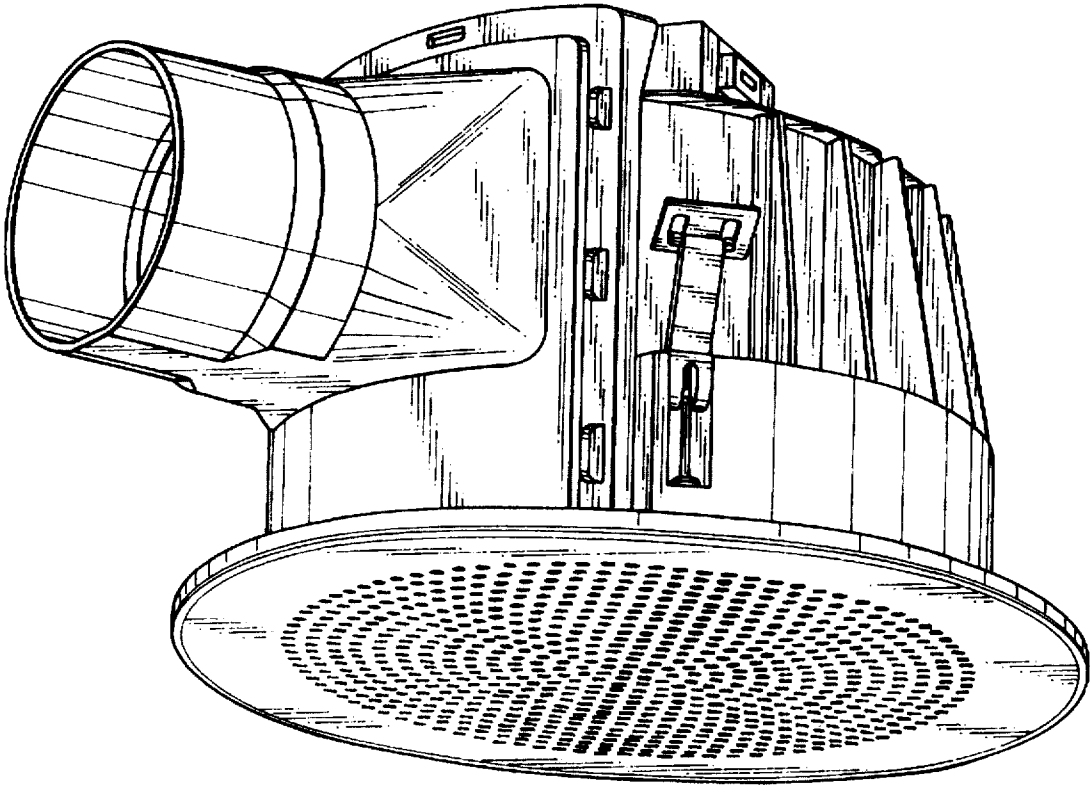


Fig. 2

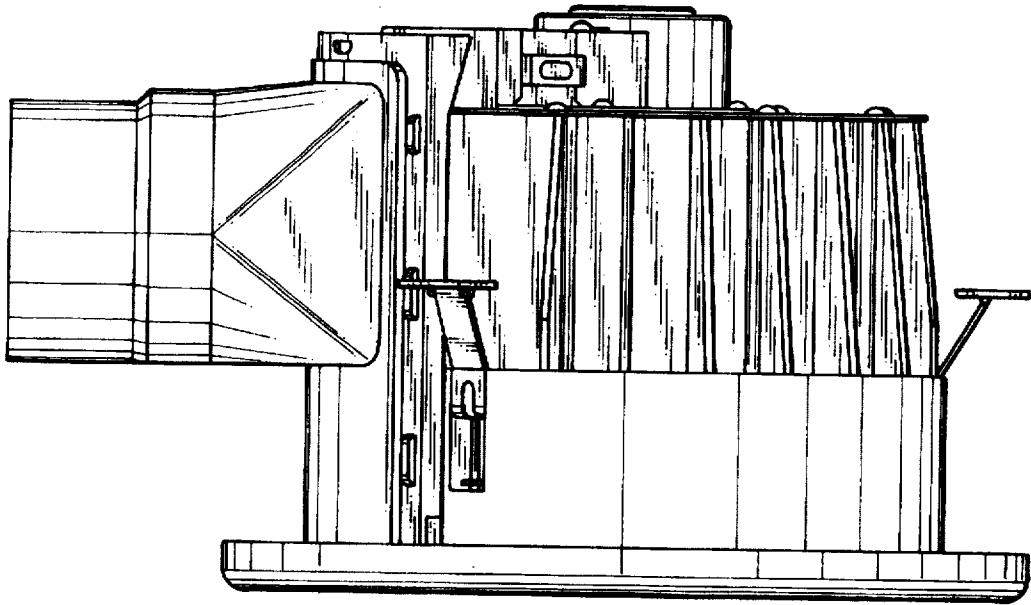


Fig. 3

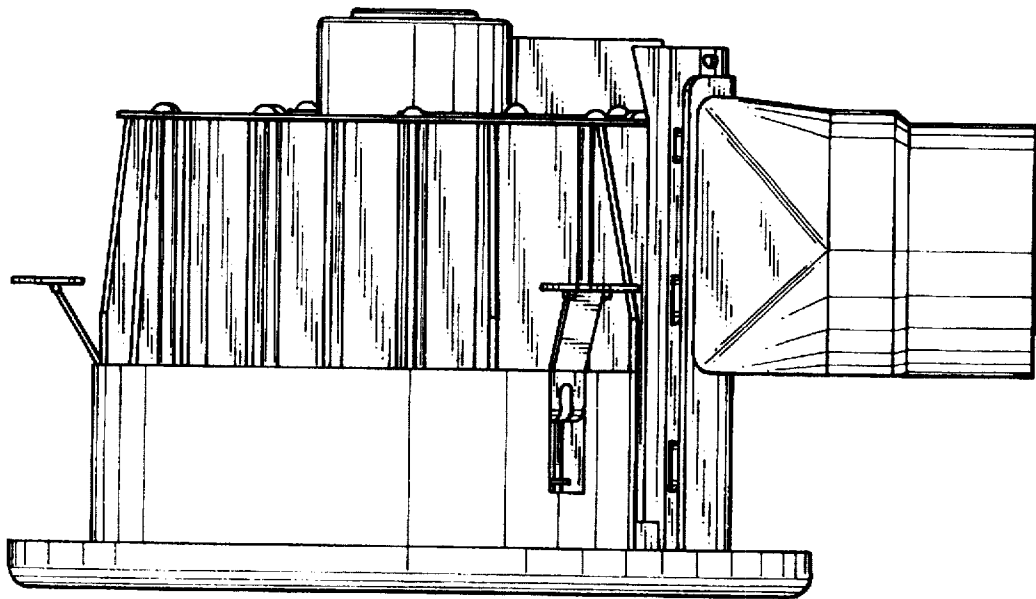


Fig. 4

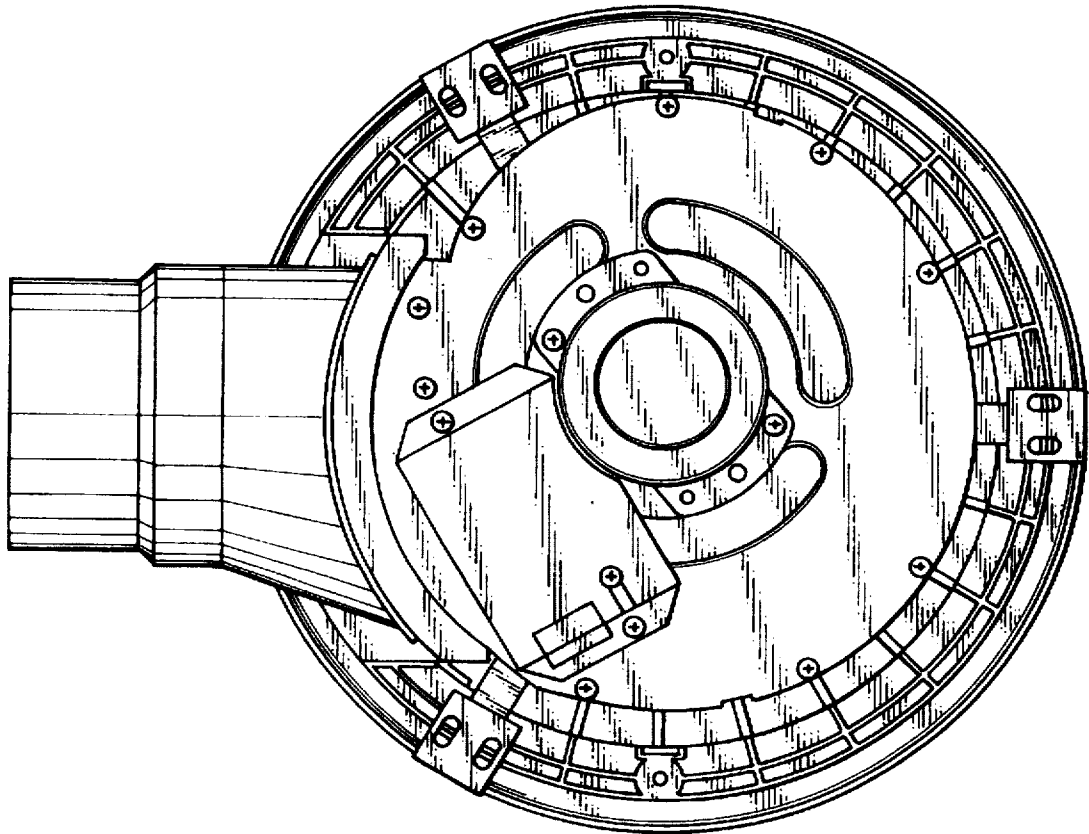


Fig. 5

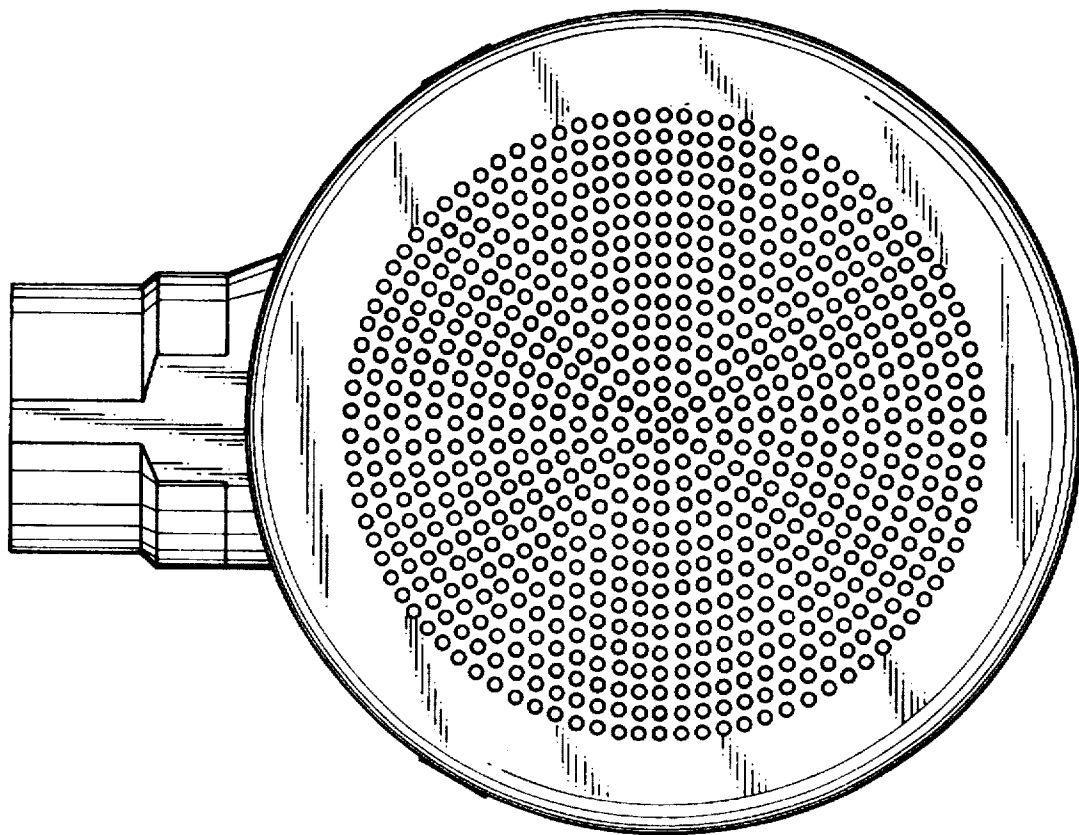


Fig. 6

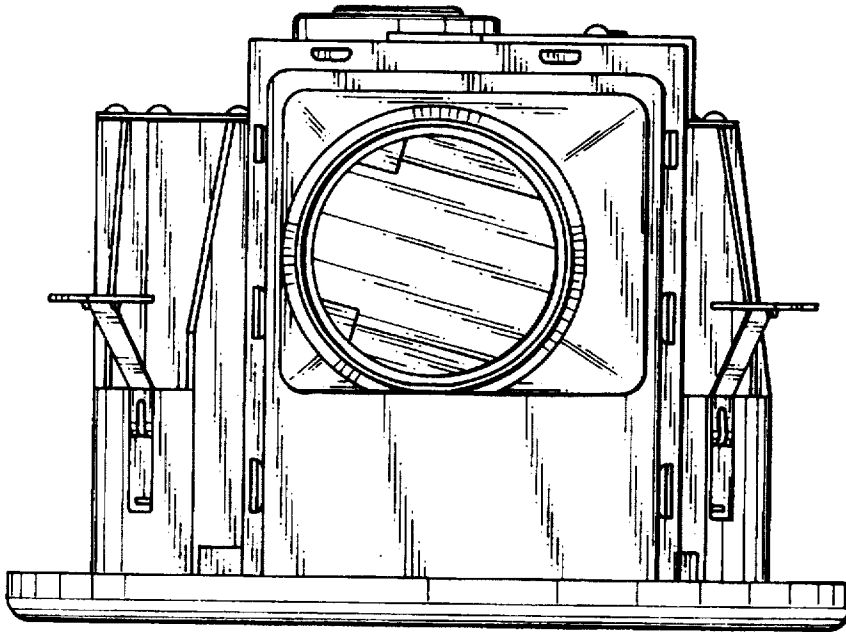


Fig. 7

