



US00D421691S

**United States Patent** [19]  
**Hoblitz**

[11] **Patent Number: Des. 421,691**  
[45] **Date of Patent: \*\* Mar. 21, 2000**

[54] **ROLL CONTAINER AND DISPENSER**

*Primary Examiner*—Marcus A. Jackson

[75] Inventor: **Jani C. Hoblitz**, Fredericksburg, Va.

[57] **CLAIM**

[73] Assignee: **Janie C Hoblitz**, Fredericksburg, Va.

The ornamental design for a roll container and dispenser, as shown and described.

[\*\*] Term: **14 Years**

**DESCRIPTION**

[21] Appl. No.: **29/086,999**

FIG. 1 is a perspective view of a roll container and dispenser showing my new design;

[22] Filed: **Apr. 24, 1998**

FIG. 2 is a perspective view thereof, shown without the environmental structure;

[51] **LOC (6) Cl.** ..... **06-02**

[52] **U.S. Cl.** ..... **D6/522**

[58] **Field of Search** ..... D6/512-523; 206/389;  
242/55.2, 55.53, 570, 600; 312/34.1, 34.4,  
34.8, 34.24

FIG. 3 is a left side elevational view thereof, the opposite side being a mirror image;

FIG. 4 is a front elevational view thereof;

FIG. 5 is a rear elevational view thereof;

FIG. 6 is a top plan view thereof;

FIG. 7 is a bottom plan view thereof; and,

FIG. 8 is a perspective view thereof, with the lid closed.

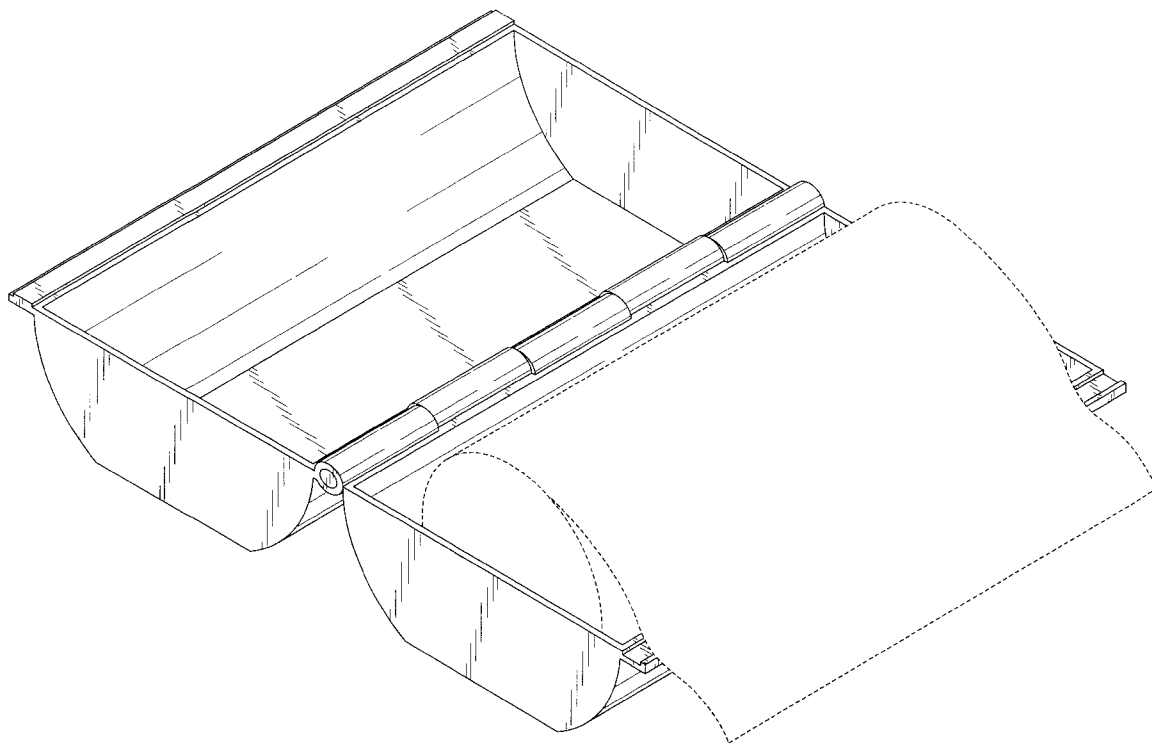
The broken line illustration shows environmental structure and forms no part of the claimed invention. Undisclosed surfaces are plain and unornamented.

[56] **References Cited**

**U.S. PATENT DOCUMENTS**

D. 316,789	5/1991	McLaughlin	.....	D6/522
D. 335,412	5/1993	Howard et al.	.....	D6/522
D. 347,534	6/1994	Gottselio	.....	D6/522
D. 385,734	11/1997	Mervar et al.	.....	D6/522

**1 Claim, 7 Drawing Sheets**



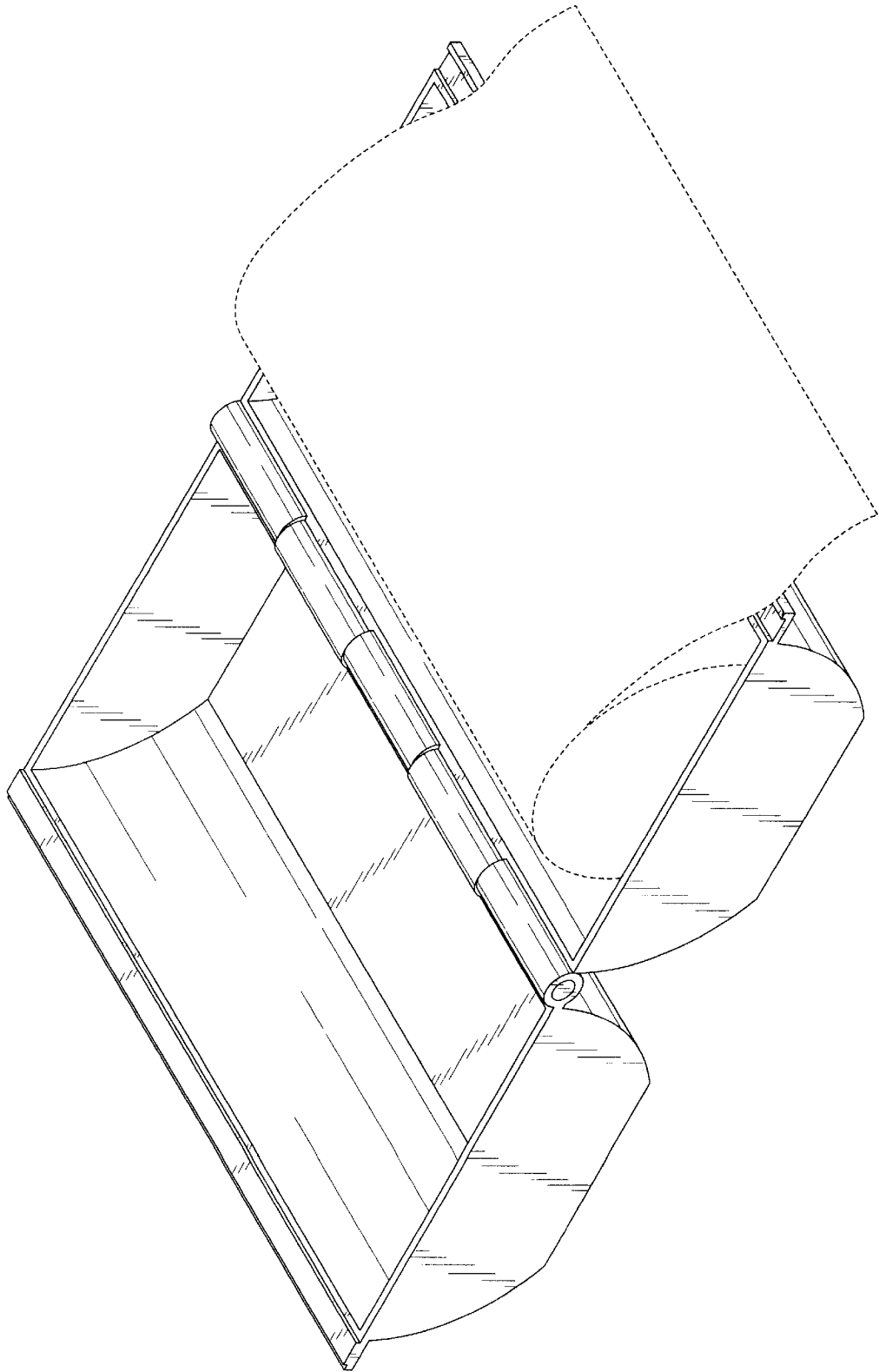


Fig. 1

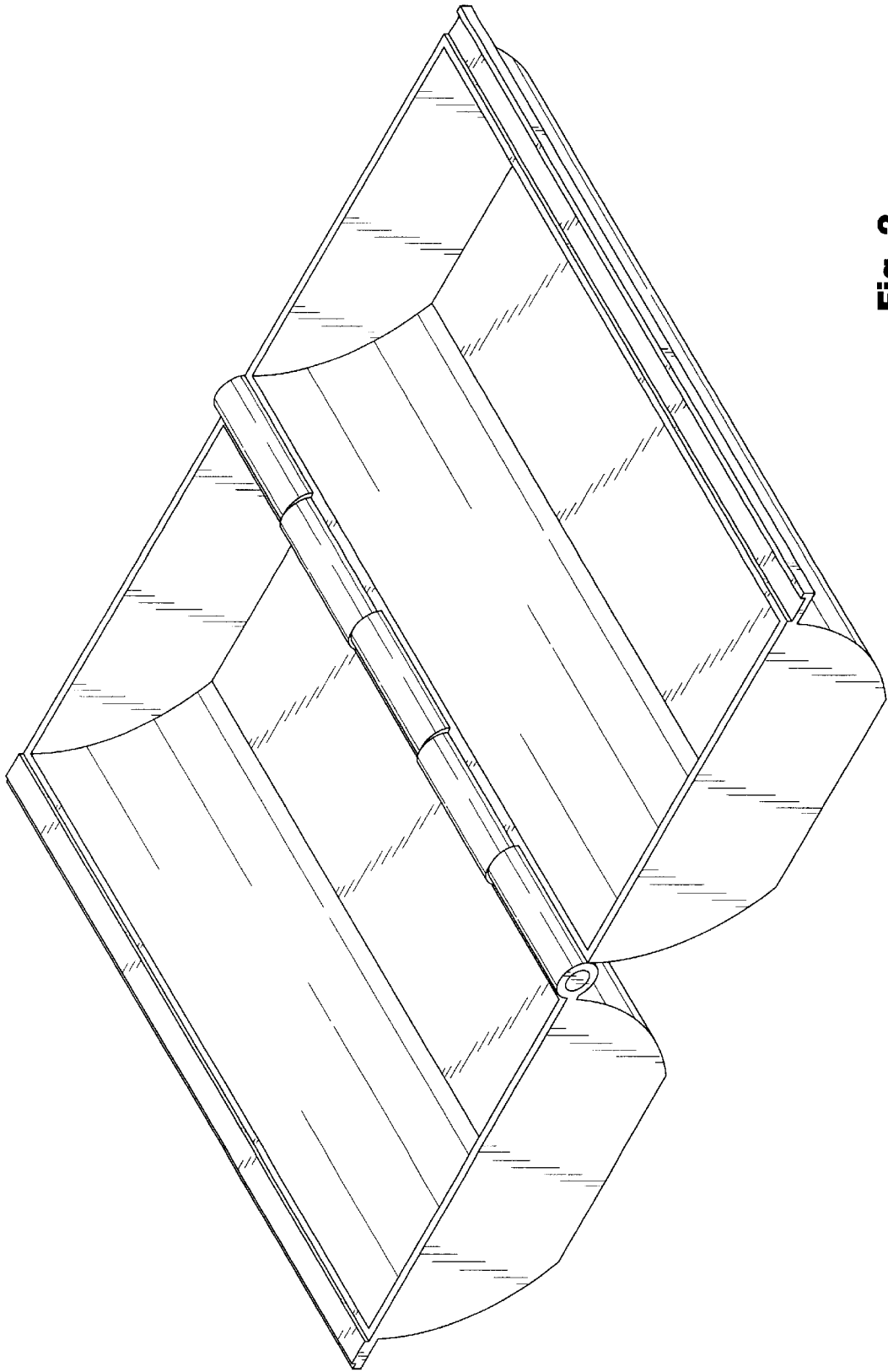
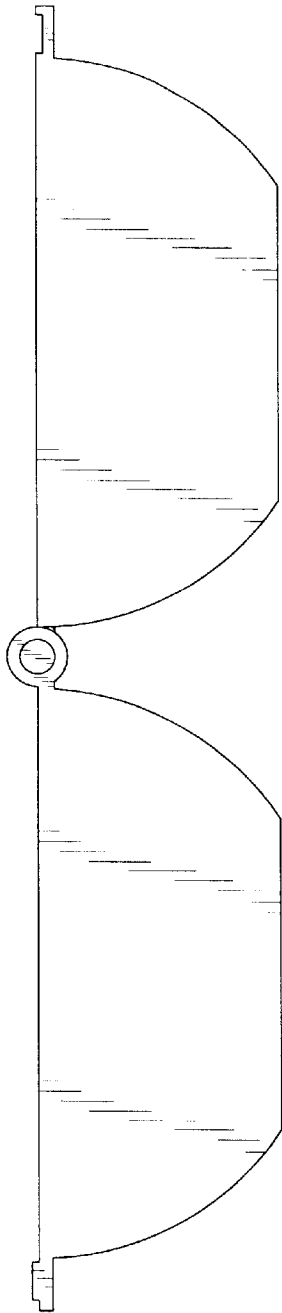
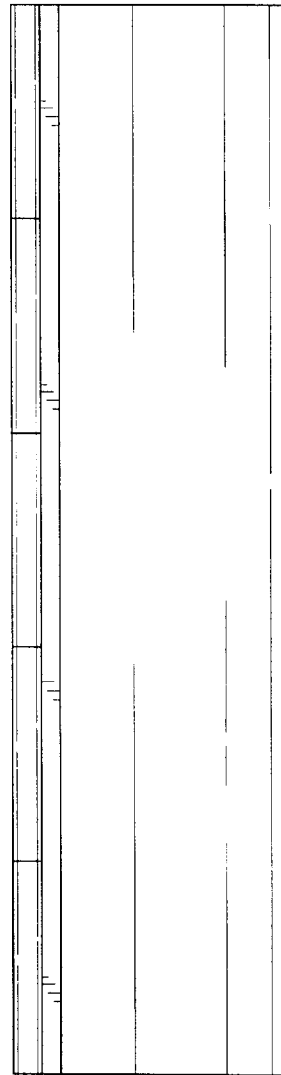


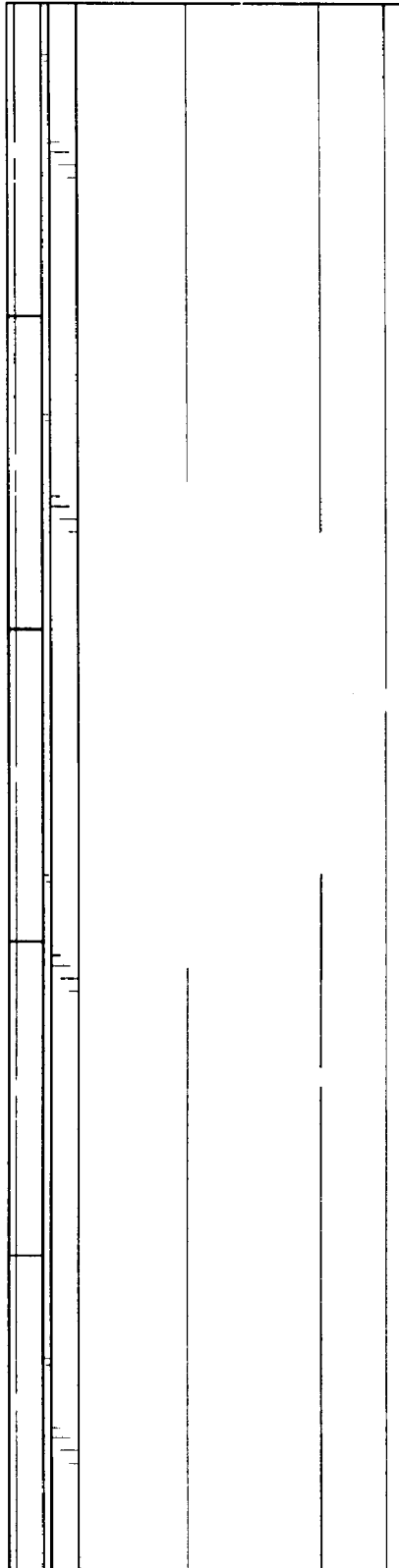
Fig. 2



**Fig. 3**



**Fig. 4**



**Fig. 5**

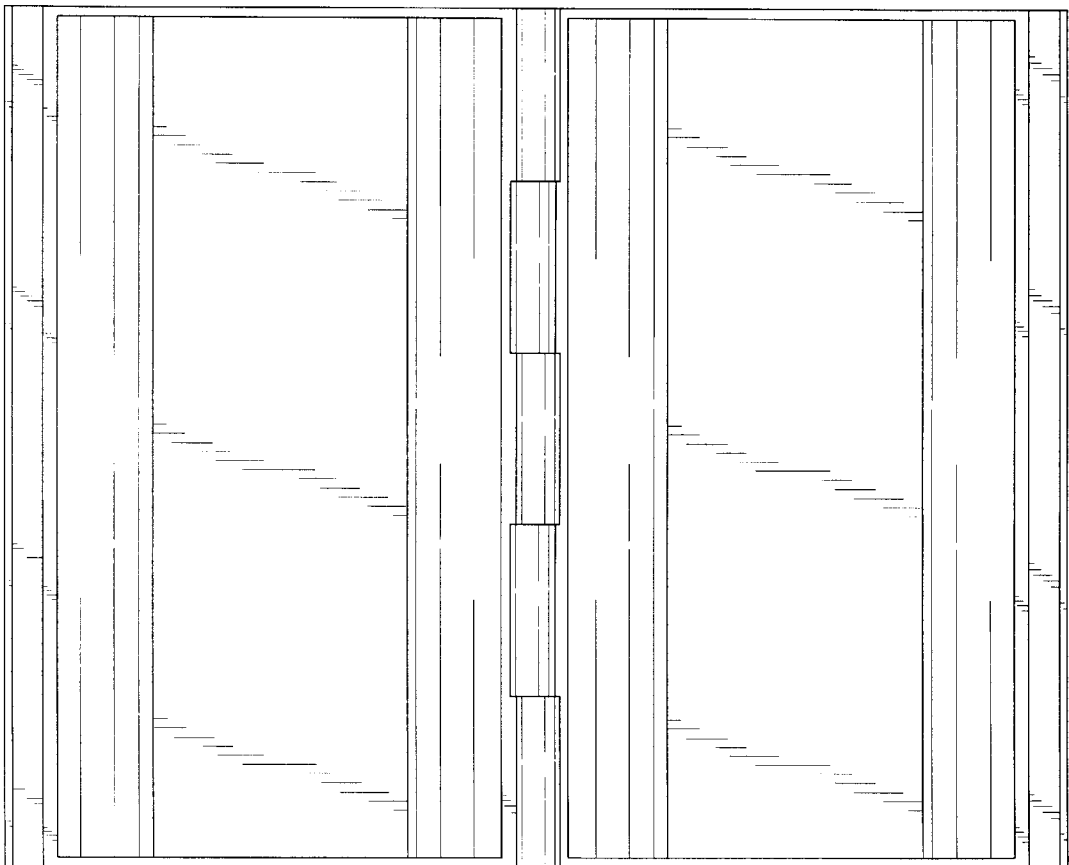


Fig. 6

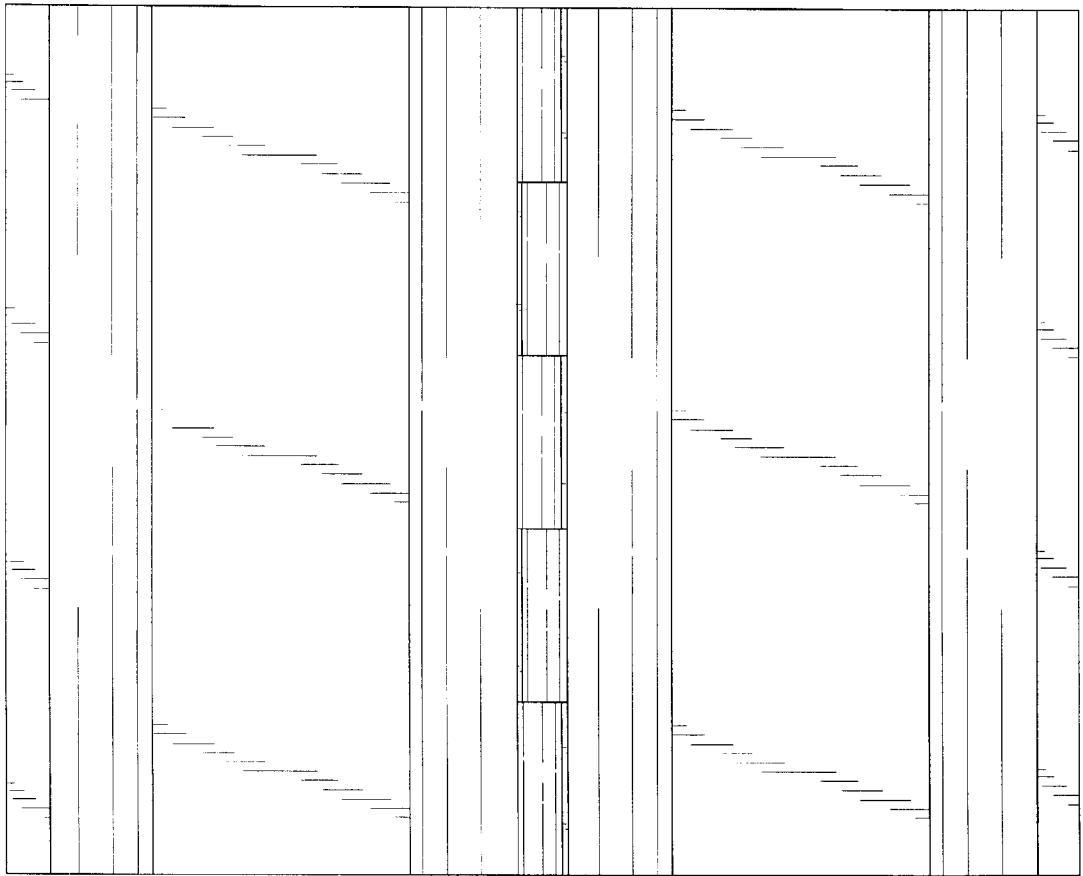
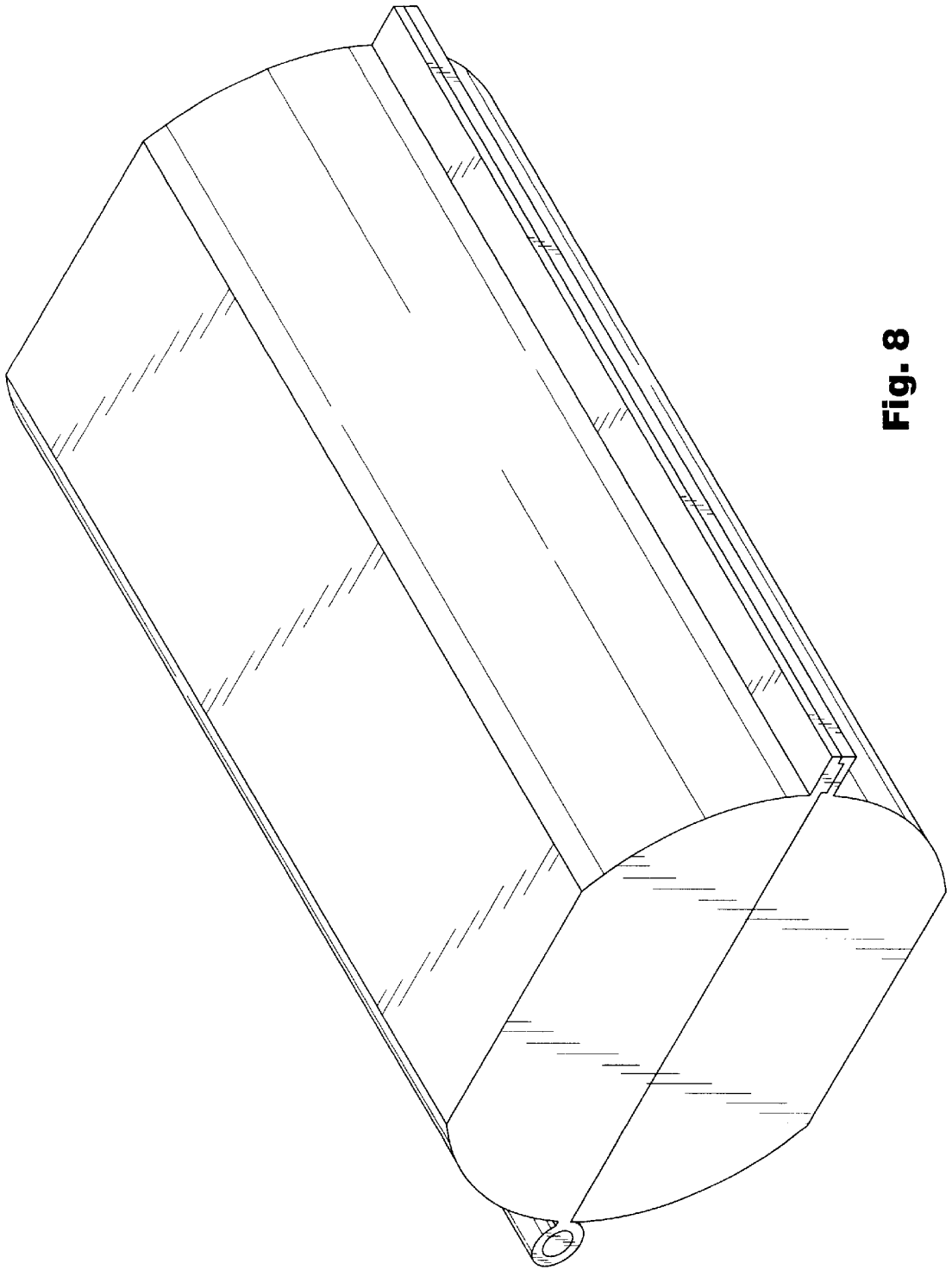


Fig. 7



**Fig. 8**