



US00D903664S

(12) **United States Design Patent**  
**Riot et al.**

(10) **Patent No.:** **US D903,664 S**

(45) **Date of Patent:** **\*\* Dec. 1, 2020**

(54) **SMART WATCH**

(71) Applicant: **Fitbit, Inc.**, San Francisco, CA (US)

(72) Inventors: **Benjamin Patrick Robert Jean Riot**, San Francisco, CA (US); **Cédric Eric Jean-Edouard Bernard**, San Francisco, CA (US); **Chadwick John Harber**, San Francisco, CA (US); **Brian Dennis Paschke**, San Francisco, CA (US); **Derek Jenchia Loh**, San Francisco, CA (US); **Eric John Fairbanks**, Pleasant Hill, CA (US); **Mark Woolhiser Huang**, San Francisco, CA (US); **Jonah Avram Becker**, San Francisco, CA (US)

(73) Assignee: **Fitbit, Inc.**, San Francisco, CA (US)

(\*\*) Term: **15 Years**

(21) Appl. No.: **29/706,974**

(22) Filed: **Sep. 25, 2019**

(51) **LOC (12) Cl.** ..... **14-02**

(52) **U.S. Cl.**  
USPC ..... **D14/344; D11/26**

(58) **Field of Classification Search**  
USPC ... D14/138 R, 144, 341, 344, 358, 388, 218, D14/485-495; D10/30-39, 70, 98; D11/3, 4, 26, 93-94, 78.1, 79, 86; D24/167, 169, 186-187, 164  
CPC ..... A41D 1/002; A41D 19/0034; G06F 1/04; G06F 1/08; G06F 1/10; G06F 1/14; G06F 1/1626; G06F 1/1628; G06F 1/163; G06F 1/1635; G06F 1/3203; G06Q 20/10; G06Q 20/12; G06Q 20/108; G06Q 20/145; H04B 1/3833; H04B 1/385; H04B 1/3888; H04M 1/02; H04M 1/03; H04M 1/04; H04M 1/05; H04M 1/667; H04M 1/6058; Y02B 60/1217; G04G 17/00; G04G 17/02; G04G 17/08; G04G 17/083; G04G 17/086; G04C 3/00; G04C 3/001; G04C 3/002; G04C 3/004; G04C

3/005; G04C 3/007; G04C 17/00; G04C 23/02; G04C 23/04; G04B 3/04; G04B 19/24; G04B 19/26; G04B 37/00; G04B 45/0069; G04B 47/04; G04B 37/0008; G04B 37/0058; G04B 37/12; G04B 37/18; G04B 45/00; G04B 47/00; G04B 47/042; G04B 47/06; G04B 47/063

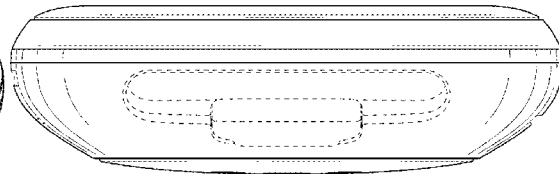
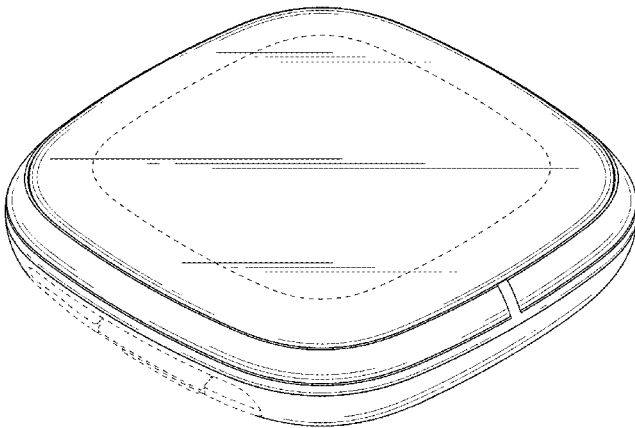
See application file for complete search history.

(56)

**References Cited**

**U.S. PATENT DOCUMENTS**

3,992,874 A	11/1976	Collins	
4,106,677 A	8/1978	Helmso et al.	
D256,561 S	8/1980	Muramatsu	
D256,677 S	9/1980	Muramatsu	
D264,946 S	6/1982	Hirabayashi	
D295,387 S	4/1988	Kumagai	
D361,042 S	8/1995	Manayakkara	
D384,294 S	9/1997	Woo et al.	
D528,439 S	9/2006	Burton	
D528,441 S	9/2006	Burton	
D528,928 S	9/2006	Burton	
D584,170 S	1/2009	Morrison	
D584,176 S	1/2009	Maruyama et al.	
D636,687 S	4/2011	Morrison	
D637,097 S	5/2011	Tseng	D10/70
D638,725 S	5/2011	Morrison	
D693,248 S	11/2013	Anderssen et al.	
D693,249 S	11/2013	Anderssen et al.	
D725,497 S	3/2015	Henne et al.	
D726,924 S	4/2015	Tseng et al.	
D729,216 S	5/2015	Peng	D14/240
D733,598 S	7/2015	Just et al.	
D737,159 S	8/2015	Akana et al.	
D741,726 S	10/2015	Akana et al.	
D743,278 S	11/2015	Solomon et al.	
D745,421 S	12/2015	Akana et al.	
D746,702 S	1/2016	Galli et al.	
D746,707 S	1/2016	Akana et al.	
D747,494 S	1/2016	Tamsiran	
D749,570 S	2/2016	Lee	D14/344
D751,070 S	3/2016	Akana et al.	
D751,550 S	3/2016	Solomon et al.	
D756,824 S	5/2016	Akana et al.	
9,367,087 B1	6/2016	Townsend	A61B 90/98
D761,675 S	7/2016	Thaveeprungsriporn	D10/38
D763,107 S	8/2016	Nielsen	D10/30
D765,072 S	8/2016	Kwon	
D765,655 S	9/2016	Tao	



D766,893	S	9/2016	Akana et al.	CN	304492882	S	2/2018
D769,867	S *	10/2016	Aumiller ..... D14/344	CN	304492886	S	2/2018
D771,504	S	11/2016	Lai et al.	CN	207118680	U	3/2018
D771,624	S *	11/2016	Aumiller ..... D14/344	CN	304116632	S	4/2018
D772,866	S	11/2016	Park et al.	CN	304629080	S	5/2018
D777,163	S	1/2017	Akana et al.	CN	207457712	U	6/2018
9,551,977	B2 *	1/2017	Yang ..... G06F 1/16	CN	304704202	S	6/2018
D784,346	S	4/2017	Tao	CN	304710123	S	7/2018
D792,244	S	7/2017	Schaad	CN	304730761	S	7/2018
D793,565	S	8/2017	Saunamaki et al.	CN	304782979	S	8/2018
D797,150	S	9/2017	Akana et al.	CN	304828368	S	9/2018
D797,810	S	9/2017	Akana et al.	CN	304833706	S	9/2018
D798,905	S	10/2017	Akana et al.	CN	304873653	S9	11/2018
D800,172	S	10/2017	Akana et al.	CN	304880236	S	11/2018
D800,721	S	10/2017	Kim et al.	CN	304925451	S	12/2018
D801,197	S	10/2017	Duval	CN	304925455	S	12/2018
D802,587	S	11/2017	Lee et al.	CN	304951030	S	12/2018
D805,929	S	12/2017	Akana et al.	CN	304973149	S	1/2019
D807,765	S	1/2018	Akana et al.	CN	304973151	S	1/2019
D818,846	S	5/2018	Duval	CN	305070141	S	3/2019
D825,352	S	8/2018	Duval	CN	305114170	S	4/2019
D835,521	S	12/2018	Berthier	CN	305146930	S	5/2019
D835,527	S	12/2018	Duval	CN	305178015	S	5/2019
D836,007	S	12/2018	Duval	CN	209949202	U	1/2020
D837,206	S	1/2019	Guan et al.	CN	305580115	S	1/2020
D839,753	S	2/2019	Domke et al.	EM	002956144-0002		1/2016
D842,724	S *	3/2019	Vandenbussche ..... D10/70	EM	002655142-0001		3/2016
D842,740	S	3/2019	Akana et al.	EM	004095032-0001		9/2017
D843,864	S	3/2019	Vandenbussche et al.	EM	005248101-0001		4/2018
D850,628	S	6/2019	De Hoog et al.	EM	005624624-0002		8/2018
D850,945	S	6/2019	Akana et al.	EM	00569018-0001		9/2018
10,324,620	B2	6/2019	Balaram	EM	005940475-0003		12/2018
D854,433	S *	7/2019	Vandenbussche ..... D10/70	KR	30-0881011		12/2015
D855,807	S	8/2019	Schroeder	KR	200483102	Y1	4/2017
D855,813	S *	8/2019	Hu ..... D24/186	WO	DM070942		11/2008
D862,462	S *	10/2019	Zhang ..... D14/344	WO	DM075697		3/2011
D865,546	S	11/2019	Kellock	WO	DM082768		1/2014
D866,350	S	11/2019	Park et al.				
D867,179	S	11/2019	Akana et al.				
D869,461	S *	12/2019	Ke ..... D14/344				
D869,462	S	12/2019	Ke				
D869,964	S	12/2019	Stern				
10,496,209	B2	12/2019	Vummidi Murali et al.				
D875,576	S	2/2020	Akana et al.				
D878,365	S *	3/2020	Choplin ..... D14/344				
2018/0246474	A1	8/2018	Petrou et al.				

## OTHER PUBLICATIONS

Fitbit Versa 3, Inspire 2 & Sense renders leak suggesting imminent launch, posted Aug. 19, 2020, [retrieved Sep. 11, 2020]. Retrieved from Internet, <URL: <https://www.gizmochina.com/2020/08/19/fitbit-versa-3-inspire-2-sense-renders-leak-showing-imminent-launch/>>.\*

Fitbit—Versa 3 Health & Fitness Smartwatch—Black, posted unknown; release date Sep. 25, 2020, [retrieved Sep. 11, 2020]. Retrieved from Internet, <URL: <https://www.bestbuy.com/site/fitbit-versa-3-health-fitness-smartwatch-black/6426000.p?skuId=6426000>>.\*

Wepro Bands Compatible with Fitbit Versa SmartWatch, Versa 2 and Versa Lite SE Watch, posted Apr. 2, 2018, [retrieved Sep. 11, 2020]. Retrieved from Internet, <URL: <https://www.amazon.com/dp/B07MK6Y86J?th=1&psc=1&tag=androidcentralb-20&ascsubtag=UUacUdUnU66762YYwYg>>.\*

U.S. Appl. No. 29/706,974, filed Sep. 25, 2019, applicant Fitbit, Inc. Per rule 609.07.

U.S. Appl. No. 29/712,115, filed Nov. 5, 2019, applicant Fitbit, Inc. Per rule 609.07.

U.S. Appl. No. 29/710,723, filed Oct. 25, 2019, applicant Fitbit, Inc. Per rule 609.07.

U.S. Appl. No. 29/635,224, filed Jan. 29, 2018, applicant Fitbit, Inc. Per rule 609.07.

U.S. Appl. No. 29/721,845, filed Jan. 23, 2020, applicant Fitbit, Inc. Per rule 609.07.

U.S. Appl. No. 29/721,870, filed Jan. 23, 2020, applicant Fitbit, Inc. Per rule 609.07.

U.S. Appl. No. 29/722,312, filed Jan. 28, 2020, applicant Fitbit, Inc. Per rule 609.07.

U.S. Appl. No. 29/722,314, filed Jan. 28, 2020, applicant Fitbit, Inc. Per rule 609.07.

U.S. Appl. No. 29/725,314, filed Feb. 24, 2020, applicant Fitbit, Inc. Per rule 609.07.

U.S. Appl. No. 29/645,397, filed Apr. 25, 2018, applicant Fitbit, Inc. Per rule 609.07.

## FOREIGN PATENT DOCUMENTS

BR	102015026465-8	A2	5/2017
CN	302930198	S	9/2014
CN	302952970	S	10/2014
CN	303004622	S	11/2014
CN	303246872	S	6/2015
CN	303477261	S	12/2015
CN	303506081	S	12/2015
CN	204949790	U	1/2016
CN	303675678	S	5/2016
CN	303737094	S	7/2016
CN	303754167	S	7/2016
CN	303770318	S	8/2016
CN	303795823	S	8/2016
CN	303814677	S	8/2016
CN	205844750	U	12/2016
CN	303995256	S	1/2017
CN	304003872	S	1/2017
CN	304020160	S	2/2017
CN	304065041	S	3/2017
CN	304071477	S	3/2017
CN	304094572	S	4/2017
CN	304116620	S	4/2017
CN	304116631	S	4/2017
CN	304144485	S	5/2017
CN	304244860	S	8/2017
CN	304326771	S	10/2017
CN	304374415	S	11/2017
CN	304425668	S	12/2017
CN	304436817	S	1/2018
CN	304442939	S	1/2018

- U.S. Appl. No. 29/708,648, filed Oct. 8, 2019, applicant Fitbit, Inc. Per rule 609.07.
- U.S. Appl. No. 29/707,456, filed Sep. 27, 2019, applicant Fitbit, Inc. Per rule 609.07.
- U.S. Appl. No. 29/656,638, filed Jul. 13, 2018, applicant Fitbit, Inc. Per rule 609.07.
- U.S. Appl. No. 29/671,144, filed Nov. 24, 2018, applicant Fitbit, Inc. Per rule 609.07.
- U.S. Appl. No. 29/669,190, filed Nov. 6, 2018, applicant Fitbit, Inc. Per rule 609.07.
- U.S. Appl. No. 29/702,572, filed Aug. 20, 2019, applicant Fitbit, Inc. Per rule 609.07.
- U.S. Appl. No. 29/702,946, filed Aug. 22, 2019, applicant Fitbit, Inc. Per rule 609.07.
- U.S. Appl. No. 29/702,703, filed Aug. 21, 2019, applicant Fitbit, Inc. Per rule 609.07.
- U.S. Appl. No. 29/688,946, filed Apr. 25, 2019, applicant Fitbit, Inc. Per rule 609.07.
- U.S. Appl. No. 29/702,397, filed Aug. 19, 2019, applicant Fitbit, Inc. Per rule 609.07.
- U.S. Appl. No. 29/705,182, filed Sep. 10, 2019, applicant Fitbit, Inc. Per rule 609.07.
- U.S. Appl. No. 29/711,032, filed Oct. 28, 2019, applicant Fitbit, Inc. Per rule 609.07.
- U.S. Appl. No. 29/725,309, filed Feb. 24, 2020, applicant Fitbit, Inc. Per rule 609.07.
- U.S. Appl. No. 29/725,313, filed Feb. 24, 2020, applicant Fitbit, Inc. Per rule 609.07.
- U.S. Appl. No. 29/729,039, filed Mar. 24, 2020, applicant Fitbit, Inc. Per rule 609.07.
- U.S. Appl. No. 29/729,177, filed Mar. 24, 2020, applicant Fitbit, Inc. Per rule 609.07.
- U.S. Appl. No. 29/729,178, filed Mar. 24, 2020, applicant Fitbit, Inc. Per rule 609.07.
- POY Compatible Bands Replacement for Fitbit Alta, Fitbit Alta HR sold on Amazon. Website accessed Mar. 1, 2019.
- Monster Fitness Multicolor Replacement Bands for Fitbit Flex sold on Amazon. Website accessed Mar. 1, 2019.
- GK Fitbit Alta Bands—replacement sport strap bands for Fitbit Alta for sale at Walmart (www.walmart.com). Website accessed Nov. 7, 2018.
- Suunto Core watchband on Instagram. Accessed Feb. 7, 2017.
- Suppa G-Shock Strap Adapters, online at least as early as Dec. 13, 2013. Accessed Feb. 7, 2017.
- Monserat de Lucca Measuring Tape Bracelet for sale at Shopbop (www.shopbop.com). Website accessed Nov. 11, 2018.
- Marc by Marc Jacobs Engraved Turlock Leather Bangle Bracelet for sale at Shopbop (www.shopbop.com). Website accessed Nov. 11, 2018.
- ACBEE Replacement watch band with buckle for Fitbit ALTA for sale at www.amazon.com. Website accessed Nov. 7, 2018.
- PERFIT rubber watch band with double prong buckle and spring bars for sale at www.amazon.com. Website accessed Nov. 7, 2018.
- Waterproof diving silicone rubber strap with clasp for sale at www.aliexpress.com (Alibaba Group). Website accessed Feb. 7, 2018.
- Damusy Fitness Tracker Smart Band for sale at www.activityandfitness trackers.com. Website accessed Nov. 10, 2018.
- VOLEMER F09HR Smart Band Fitness Tracker for sale at www.epaky.com. Website accessed Nov. 10, 2018.
- “First Look: Fitbit announces new Fitbit Alta activity tracker”, published Feb. 3, 2016 on DC Rainmaker (www.dcrainmaker.com). Website accessed Nov. 10, 2018.
- Fitbit Alta—for sale by Fitbit (<https://www.fitbit.com/alta>). Website accessed Mar. 27, 2017.
- Fitbit Alta review published Mar. 25, 2016 on C|Net (www.cnet.com). Website accessed Nov. 10, 2018.
- Fitbit Charge 2 Heart Rate and Fitness Wristband for sale at www.amazon.co.uk. Website accessed Feb. 7, 2018.
- Fitbit Flex Wireless Activity and Sleep Wristband for sale at www.amazon.com. Listed at least as early as Apr. 16, 2013.
- Fitbit Ionic Accessory Band for sale at Nordstrom (<https://shop.nordstrom.com>). Website accessed Nov. 7, 2018.
- Fitbit Alta HR Bands for sale at The Fitness Equipment Shop (www.thefitnessequipmentshop.com). Website accessed Nov. 17, 2018.
- Luminox Replacement Rubber Watch Band Strap for sale at Walmart (www.walmart.com). Website accessed Nov. 7, 2018.
- “MPOW DS-D6 Fitness Band Review” published Jan. 13, 2018 on Zero Air (www.zeroair.wordpress.com). Website accessed Nov. 10, 2018.
- “Fitbit Product Teardown” on Pinterest, pinned from www.ifixit.com. Website accessed Feb. 27, 2017.
- Pro Elite Medicine Ball by Power Systems (www.power-systems.com). Website accessed Feb. 7, 2018.
- Replacement metal watch band Connector for Fitbit Alta/Fitbit Alta HR for sale at Banggood (www.banggood.com). Website accessed Nov. 10, 2018.
- Citrine by the Stones Sol Forearm Band for sale at Shopbop (www.shopbop.com). Website accessed Nov. 11, 2018.
- Gorjana Mia Wrap Cuff for sale at Shopbop (www.shopbop.com). Website accessed Nov. 11, 2018.
- Fintie for Gear S2 Watch Band Stainless Steel Metal Replacement Strap, for sale at www.amazon.com. Website accessed Apr. 24, 2019.
- Fitbit Inspire HR review: One size, many styles, fit all, posted May 24, 2019, [retrieved Jun. 5, 2019]. Retrieved from Internet, <URL: <https://www.macworld.com/article/3397320/fitbit-inspire-hr-review.html>>.
- The New Fitbit Inspire HR is Finally Available to the Public!, posted Mar. 6, 2019, [retrieved Jun. 5, 2019]. Retrieved from Internet, <URL: <https://amyeverafter.com/new-fitbit-inspire-hr-smartwatch/>>.
- Samsung’s 6th smartwatch has a 3G modem and a massive curved display, posted Aug. 28, 2014, [retrieved Jun. 5, 2019]. Retrieved from Internet, <URL: <https://arstechnica.com/gadgets/2014/08/samsungs-fith-smartwatch-has-a-3g-modern-and-a-massive-curved-display/>>.
- Microsoft Band 2 Fitness Tracker with Curved Screen Announced, posted Oct. 7, 2015, [retrieved Jun. 5, 2019]. Retrieved from Internet, <URL: <https://gadgetsinsider.com/microsoft-band-2-fitness-tracker-with-curved-screen-announced.html>>.
- Samsung Introduces Three New Wearables for Balanced and Connected Living, Samsung Newsroom, posted Feb. 20, 2019, accessed Feb. 25, 2019. <URL: <https://news.samsung.com/us/samsung-wearable-galaxy-watch-active-galaxy-fit-galaxy-buds-unpacked-2019>>.
- Wang et al., “Integrity Protection for Code-On-Demand Mobile Agents,” Journal of Systems and Software, vol. 60, Issue 3, pp. 211-221, downloaded from: <https://www.researchgate.net/researcher/9579357TianhanWang>, Feb. 15, 2002.
- Seifert, “Making Time: how Pebble built its next smartwatch,” downloaded from: <http://www.theverge.com/2015/2/24/8091175/pebble-time-watchwearable-platform-eric-migicovsky-interview>, The Verge, Feb. 24, 2015.
- Fitbit Charge 3 leak hints at massive changes, posted Aug. 14, 2018, [retrieved Jan. 29, 2019]. Retrieved from Internet, <URL: <https://www.slashgear.com/fitbit-charge-3-leak-hints-at-massive-changes-14541228/>>.
- New Fitbit is a waterproof smartwatch in disguise, posted Aug. 28, 2018, [retrieved Jan. 29, 2019]. Retrieved from Internet, <URL: [https://www.fox5vegas.com/archives/new-fitbit-is-a-waterproof-smartwatch-in-disguise/article\\_277bf36f-2e79-5b48-b490-1abce7603fae.html](https://www.fox5vegas.com/archives/new-fitbit-is-a-waterproof-smartwatch-in-disguise/article_277bf36f-2e79-5b48-b490-1abce7603fae.html)>.
- Silicone Rubber Waterproof Watch Strap Band FORTE Spring Bars, for sale at eBay (<https://www.ebay.com.au/itm/Silicone-Rubber-Waterproof-Watch-Strap-Band-FORTE-Spring-Bars-20mm-22mm-24mm-/272077865335>). Website accessed Dec. 6, 2019.
- Kartice Compatible with Fitbit Inspire Bands/Fitbit Inspire HR Bands, for sale at www.amazon.com. Website accessed Jun. 10, 2019.
- Tuscom Replacement Bands Compatible with Fitbit Inspire and Fitbit Inspire HR, for sale at www.amazon.com. Website accessed Jun. 10, 2019.
- ACBEE Fitbit alta Band, Watch Buckle Design, for sale on amazon.com ([https://www.amazon.com/ACBEE-Perfect-Replacement-Original-Band-Never/dp/B01G2IECXO/ref=as\\_li\\_ss\\_tl?ie=UTF8](https://www.amazon.com/ACBEE-Perfect-Replacement-Original-Band-Never/dp/B01G2IECXO/ref=as_li_ss_tl?ie=UTF8)

&linkCode=s11&tag=mbyte-20&linkId=d7045d83d76ae70cec2212, 2019.55ad2f2820888&linkCode=w61&imprToken=n-L.MJ6kaAeLbRPMusOUq7A&slotNum=14). Website accessed Jun. 12, 2019.

Gold premium NATO strap Le Mans, for sale at cheapestnatostraps.com (<https://www.cheapestnatostraps.com/products/gold-premium-nato-strap-le-mans>). Website accessed Dec. 6, 2019.

Alfawise H19 RFID Sports Smartwatch Fitness Tracker for sale at gearbest.com ([https://www.gearbest.com/smart-watches/pp\\_009207049039.html?wid=1433363](https://www.gearbest.com/smart-watches/pp_009207049039.html?wid=1433363)). Website accessed Dec. 6, 2019.

Fitbit Versa Smartwatch and Activity Tracker with Classic Band for sale at HSN (<https://www.hsn.com/products/fitbit-versa-smartwatch-and-activity-tracker-with-class/8688605>). Website accessed Dec. 6, 2019.

Fitbit Versa Smartwatch for sale at kohls.com (<https://www.kohls.com/product/prd-3296179/fitbit-versa-smart-fitness-watch-non-nfc.jsp>). Website accessed Dec. 6, 2019.

Princeton University 18mm NATO Watch Strap with Silver Fittings for sale at Smart Turnout (<https://smartturnout.com/university-watchstrap-princeton-university/>). Website accessed Dec. 6, 2019.

Fitbit Ace 2 activity tracker for kids 6+, for sale at fitbit.com (<https://www.fitbit.com/us/products/trackers/ace2?sku=414BKBU>). Website accessed Jan. 2020.

Samsung Galaxy Fit, Black, available from Samsung (<https://www.samsung.com/us/mobile/wearables/smart-fitness-bands/samsung-galaxy-fit-sm-r370nzkaxar/>). Website accessed Mar. 16, 2020.

"Colorful TPE Strap Replacement Sport Wrist Watch Band for Xiaomi Miband 3 Miband 4—No. 2" available from Banggood ([https://www.banggood.in/Colorful-TPE-Strap-Replacement-Sport-Wrist-Watch-Band-for-Xiaomi-Miband-3-Miband-4-p-1307559.html?ID=529070&cur\\_warehouse=CN](https://www.banggood.in/Colorful-TPE-Strap-Replacement-Sport-Wrist-Watch-Band-for-Xiaomi-Miband-3-Miband-4-p-1307559.html?ID=529070&cur_warehouse=CN)). Website accessed Mar. 16, 2020.

New Fitbit Versa on the way with built-in Amazon Alexa? Source: androidauthority.com (<https://www.androidauthority.com/fitbit-versa-2-amazon-alexa-1014860/>). Website accessed Mar. 17, 2020.

Connect By Timex Active Smartwatch with Heart Rate, Notifications and Activity Tracking, available at Amazon.com (<https://www.amazon.com/iConnect-Timex-TW5M34400-Active-Smartwatch/dp/B07XZRQBGV>). Website accessed Mar. 17, 2020.

Alfawise H19 RFID Sports Smartwatch Fitness Tracker—Black, available at gearbest.com ([https://www.gearbest.com/smart-watches/pp\\_009207049039.html?wid=1433363](https://www.gearbest.com/smart-watches/pp_009207049039.html?wid=1433363)). Website accessed Mar. 17, 2020.

Ergofinity™ Bluetooth Smart Watch available at ergofinity.com (<https://ergofinity.com/products/bluetooth-smart-watch-ios-android>). Website accessed Mar. 17, 2020.

Amazfit BIP Lite 3ATM Smart Watch (Blue) available at amazon.in ([https://www.amazon.in/Amazfit-Lite-3ATM-Smart-Watch/dp/B07WQWDYJ7/ref=asc\\_df\\_B07WQWDYJ7/?tag=googleshopdes-](https://www.amazon.in/Amazfit-Lite-3ATM-Smart-Watch/dp/B07WQWDYJ7/ref=asc_df_B07WQWDYJ7/?tag=googleshopdes-)

21&linkCode=df0&hvadid=397082878775&hvpos=&hvnetw=g&hvrnd=13400080515884943460&hvpone=&hvptwo=&hvqmt=&hvdev=c&hvdvcmdl=&hvlocint=&hvlocphy=1007765&hvtargid=pla-819594895182&psc=1&ext\_vmc=hi). Website accessed Mar. 17, 2020.

\* cited by examiner

*Primary Examiner* — Michelle E. Wilson

*Assistant Examiner* — Kristin E Reed

(74) *Attorney, Agent, or Firm* — Polson Intellectual Property Law, PC; Margaret Polson

(57)

### CLAIM

The ornamental design for a smart watch, as shown and described.

### DESCRIPTION

This application is related to application Ser. No. 29/705,460 filed Sep. 12, 2019, which is incorporated entirely by reference herein for all purposes.

FIG. 1 is a top, right side isometric view of our new design for a body of a smart watch.

FIG. 2 is a bottom, left side isometric view of FIG. 1.

FIG. 3 is a front side elevation view of FIG. 1.

FIG. 4 is a back side elevation view of FIG. 1.

FIG. 5 is a left side elevation view of FIG. 1.

FIG. 6 is a right side elevation view of FIG. 1.

FIG. 7 is a top side plan view of FIG. 1.

FIG. 8 is a bottom side plan view of FIG. 1.

FIG. 9 is a top, right side isometric view of our new design for a body of a smart watch.

FIG. 10 is a bottom, left side isometric view of FIG. 9.

FIG. 11 is a front side elevation view of FIG. 9.

FIG. 12 is a back side elevation view of FIG. 9.

FIG. 13 is a left side elevation view of FIG. 9.

FIG. 14 is a right side elevation view of FIG. 9.

FIG. 15 is a top side plan view of FIG. 9; and,

FIG. 16 is a bottom side plan view of FIG. 9.

The broken lines in the drawing depict portions of the smart watch that form no part of the claimed design.

**1 Claim, 12 Drawing Sheets**

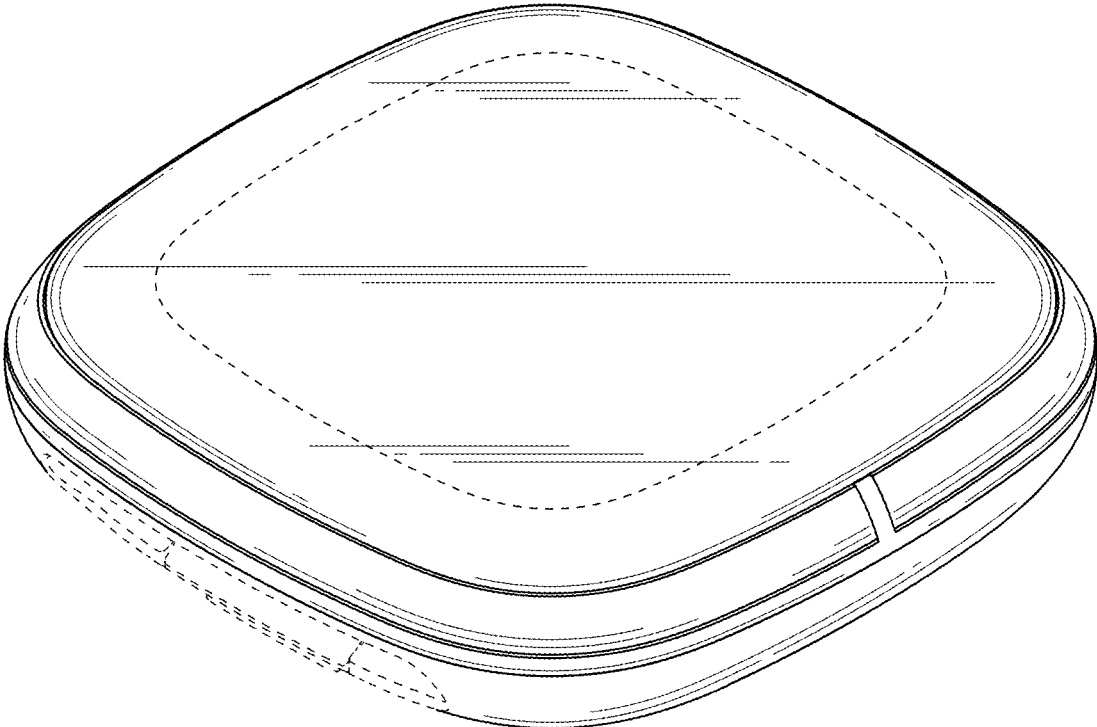


FIG. 1

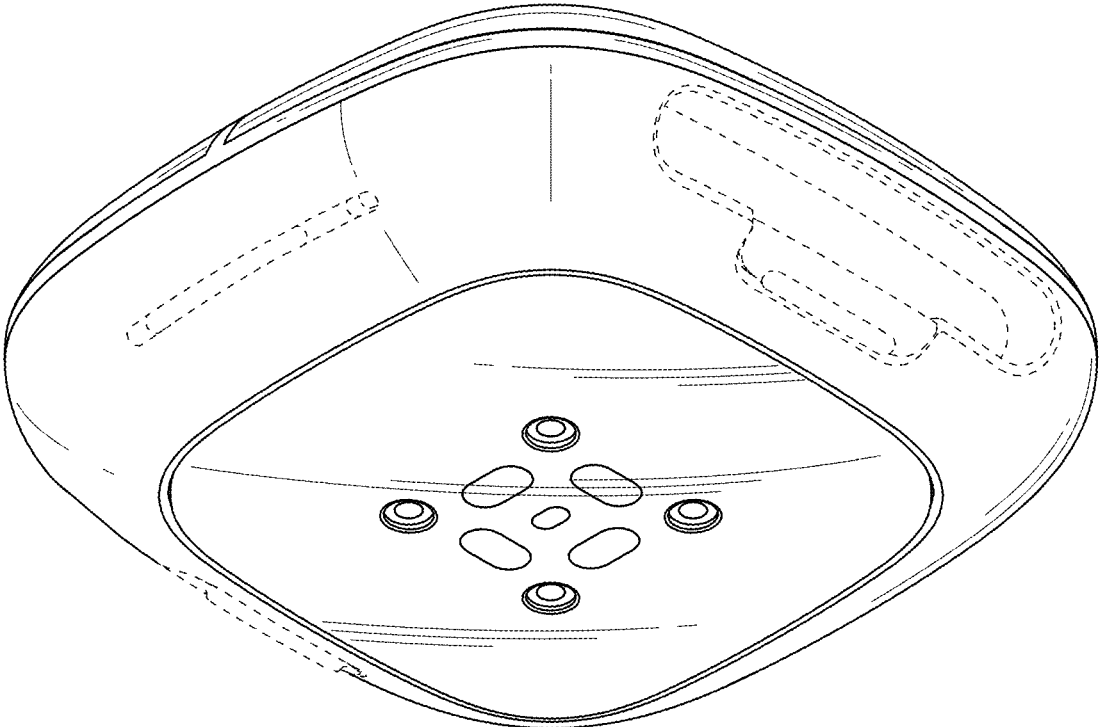


FIG. 2

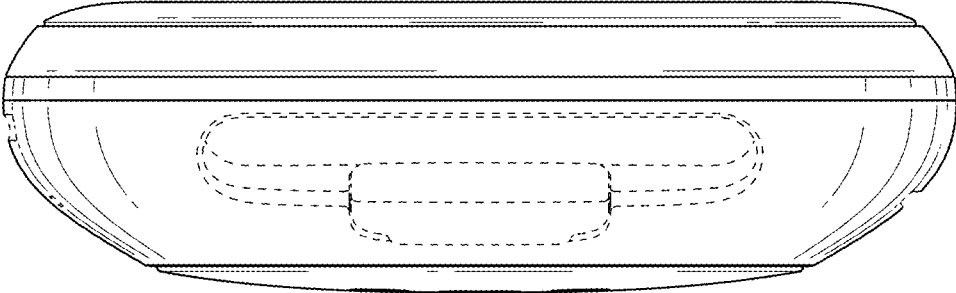


FIG. 3

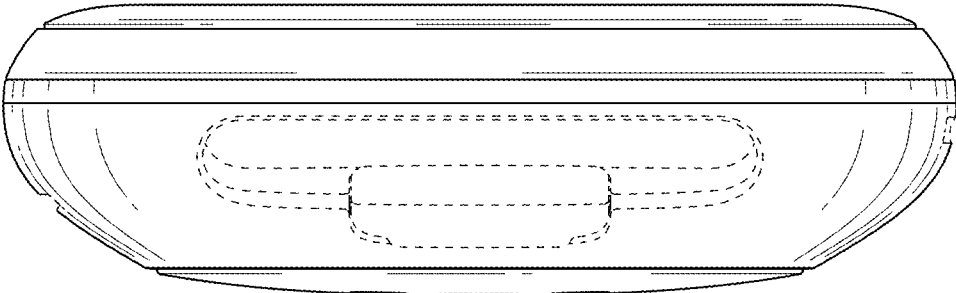


FIG. 4

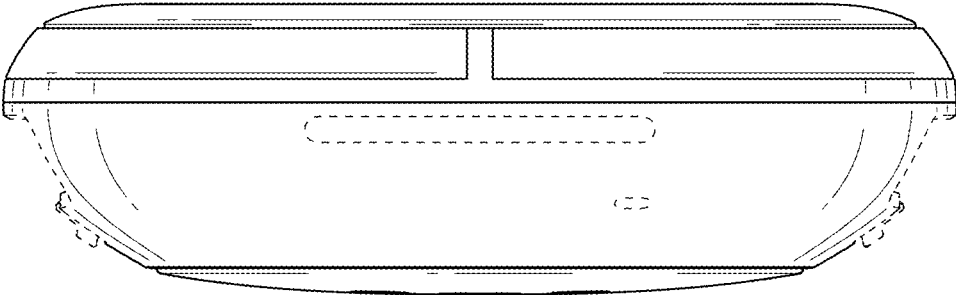


FIG. 5

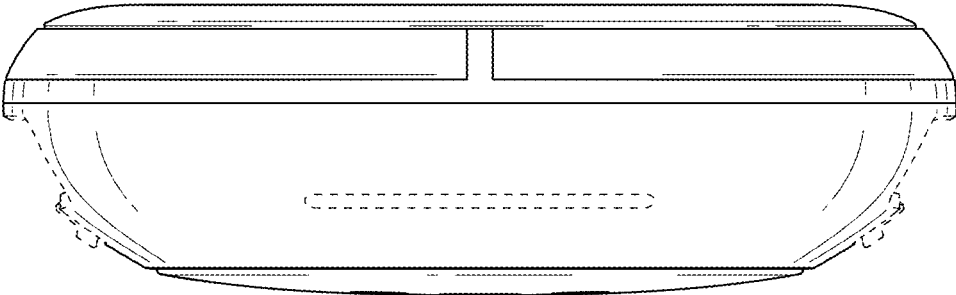


FIG. 6



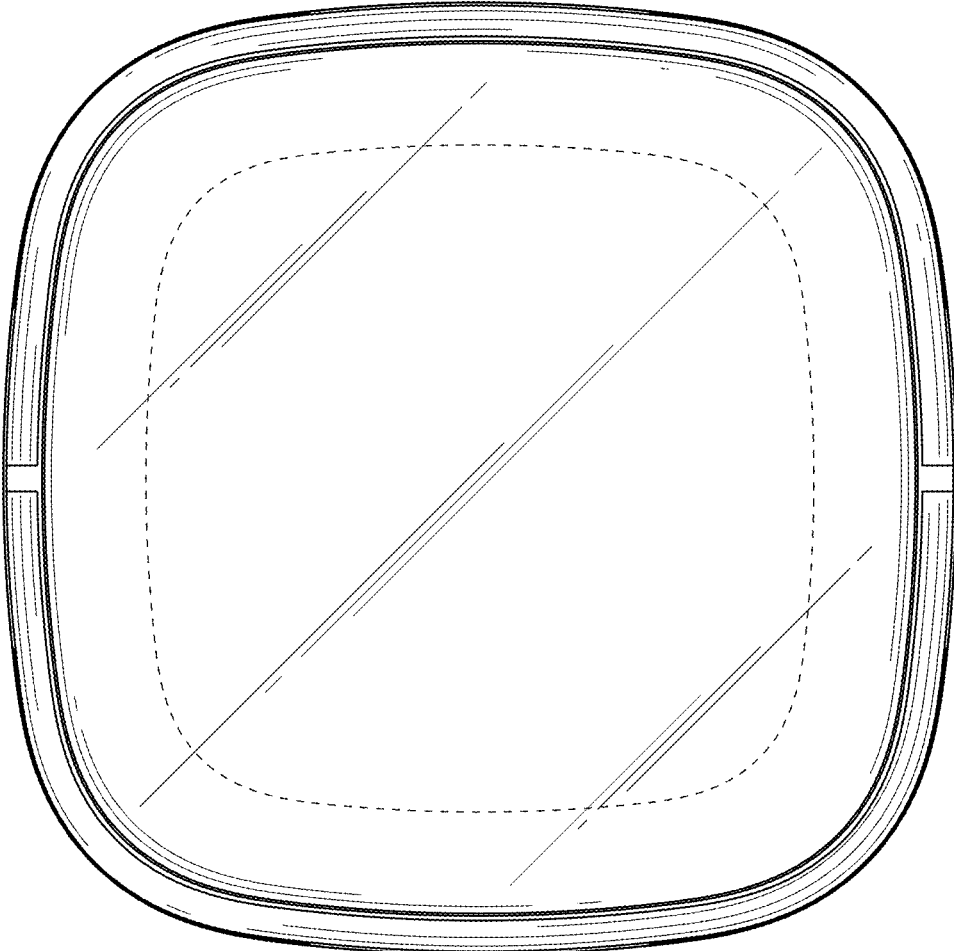


FIG. 7

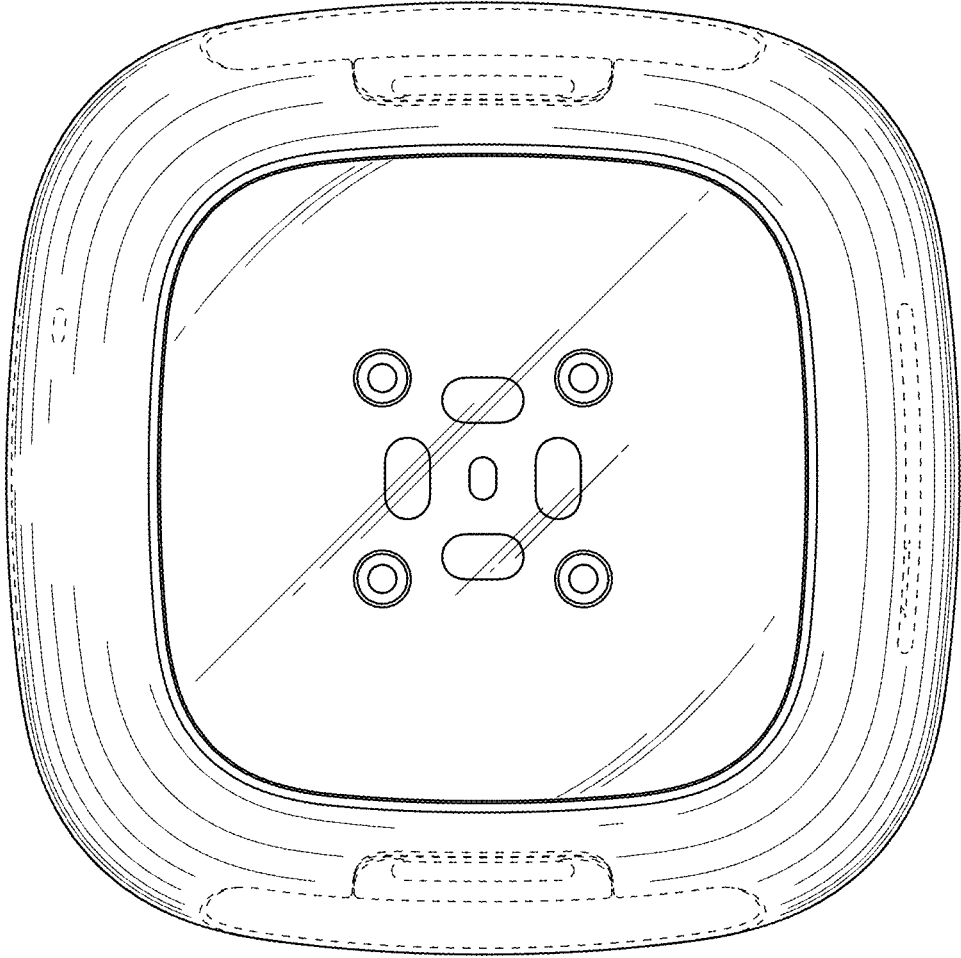


FIG. 8

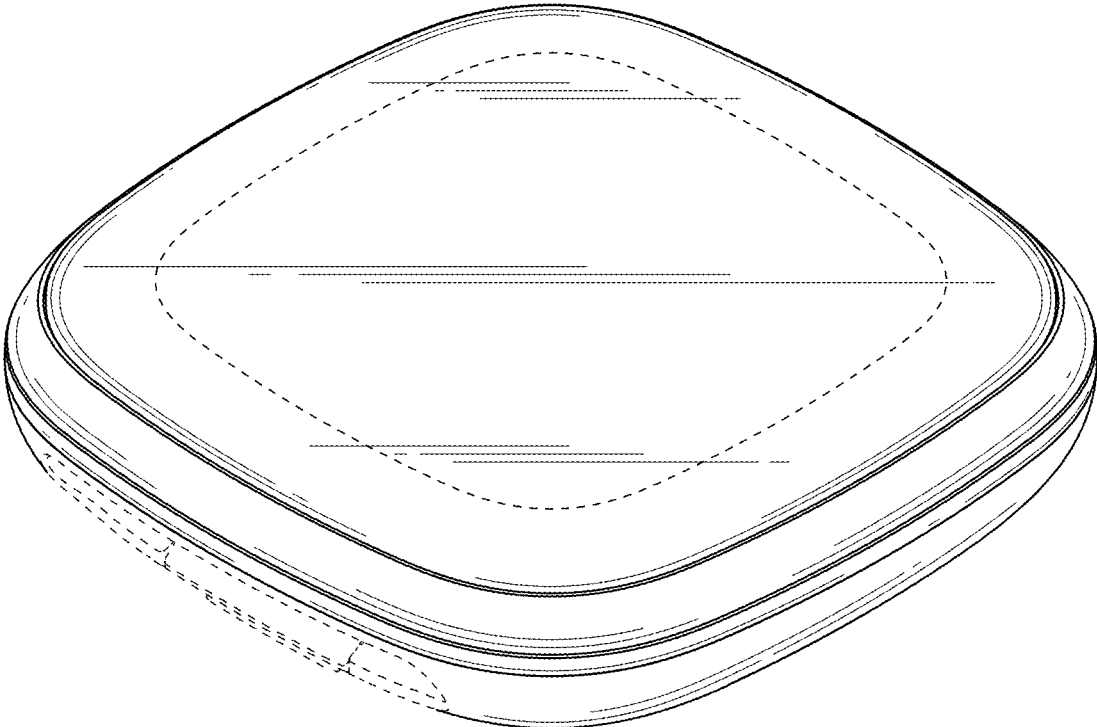


FIG. 9

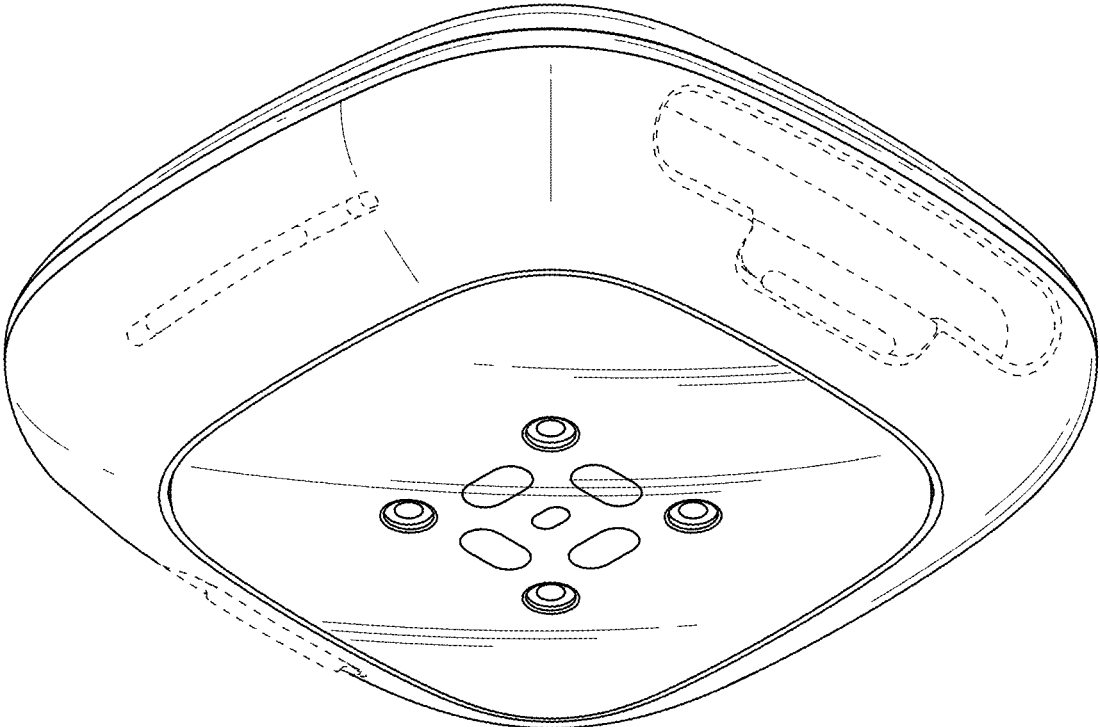


FIG. 10

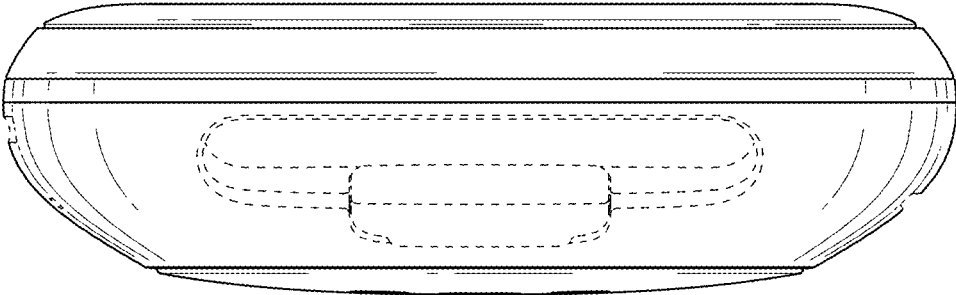


FIG. 11

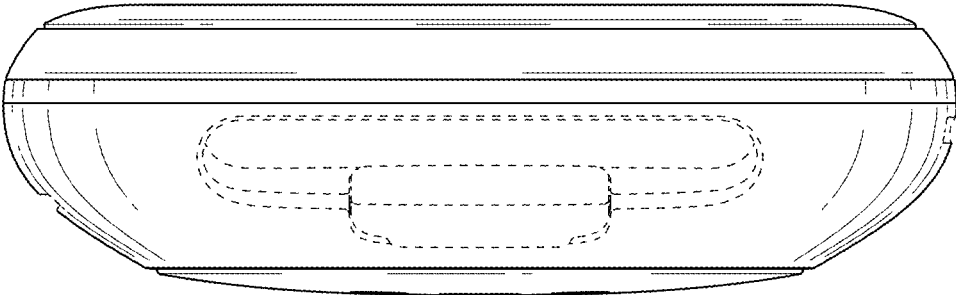


FIG. 12

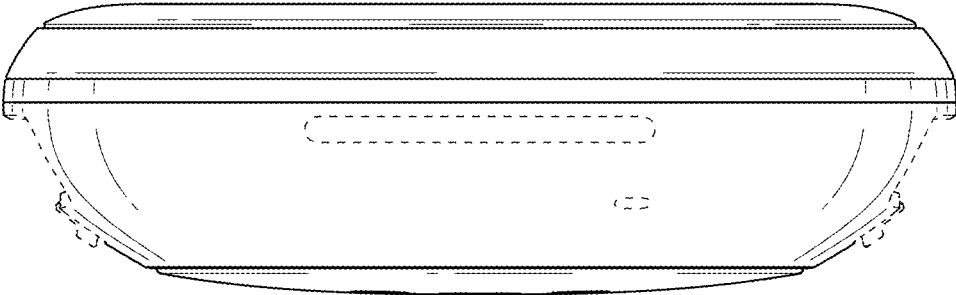


FIG. 13

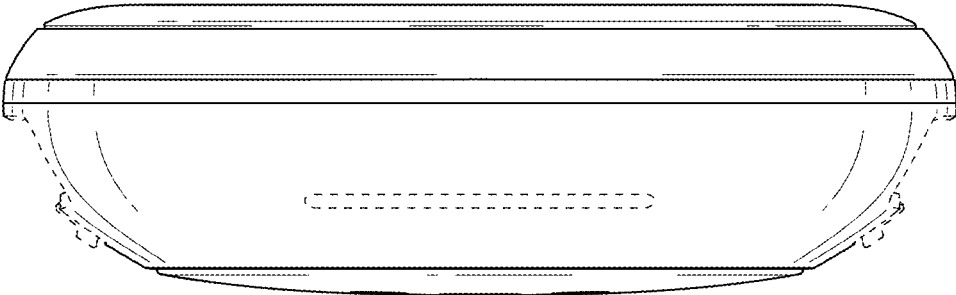


FIG. 14

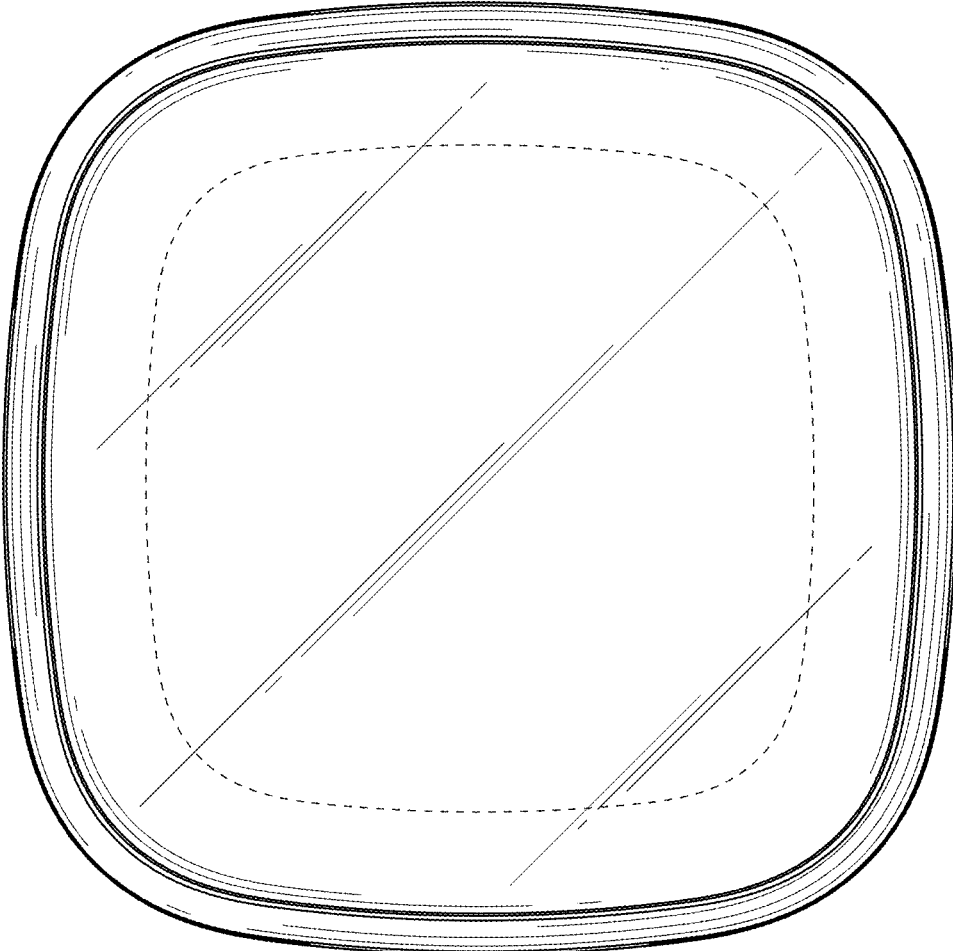


FIG. 15

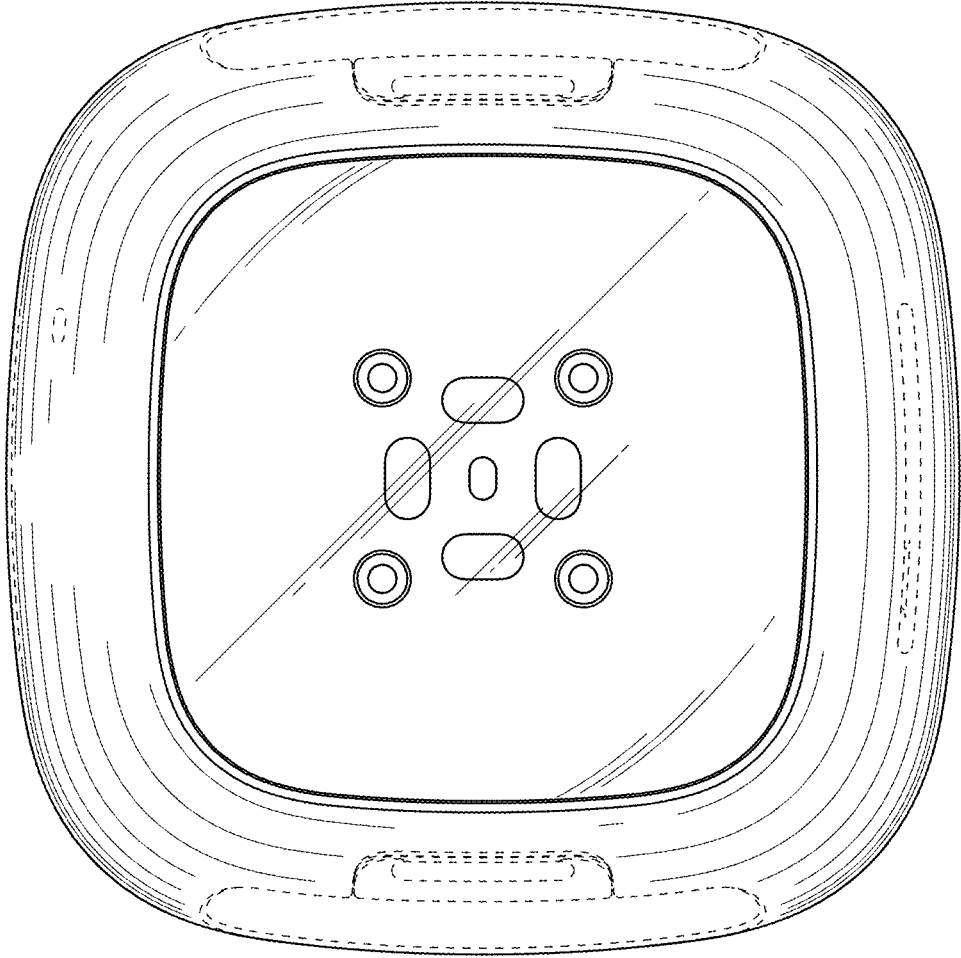


FIG. 16