



US00D364071S

United States Patent [19]

[11] Patent Number: Des. 364,071

Lynd

[45] Date of Patent: **Nov. 14, 1995

[54] BOTTLE

[76] Inventor: Larry G. Lynd, c/o Lynd Properties, Ltd. 411 N. Reynoldsburg-New Albany Rd., Columbus, Ohio 43213

[**] Term: 14 Years

[21] Appl. No.: 24,765

[22] Filed: Jun. 21, 1994

[52] U.S. Cl. D7/510; D7/511; D7/536

[58] Field of Search D7/507, 509, 510, D7/511, 514, 515, 533, 534, 535, 536, 537, 619, 622, 623, 606, 625; 220/711, 713, 715, 717, 714, 740

[56] References Cited

U.S. PATENT DOCUMENTS

D. 258,563	3/1981	Romagnoli .	
D. 297,961	10/1988	Egger .	
D. 321,455	11/1991	Duquaine, Jr. et al.	D7/536 X
D. 321,936	11/1991	Donovan .	
D. 326,586	6/1992	Embree	D7/533 X
D. 338,407	8/1993	Lynd .	
D. 351,314	10/1994	Sokolski et al.	D7/511 X
4,040,549	8/1977	Sadler	D7/507 X
4,303,173	12/1981	Nergard	220/715 X
5,143,248	9/1992	Sawatsky	220/711
5,186,353	2/1993	Ramsey	220/711
5,222,623	6/1993	Eger et al.	220/715
5,249,703	10/1993	Karp	220/715 X

Primary Examiner—Alan P. Douglas
Assistant Examiner—M. N. Pandozzi
Attorney, Agent, or Firm—Biebel & French

[57] CLAIM

The ornamental design for a bottle, as shown and described.

DESCRIPTION

FIG. 1 is a perspective view of a bottle embodying my new design;
 FIG. 2 is a front elevational view thereof;
 FIG. 3 is a rear elevational view thereof;
 FIG. 4 is a side elevational view taken from the right side of FIG. 3;
 FIG. 5 is a side elevational view taken from the left side of FIG. 3;
 FIG. 6 is a top plan view thereof;
 FIG. 7 is a bottom plan view thereof;
 FIG. 8 is a perspective view thereof, with the cap removed for ease of illustration;
 FIG. 9 is a front elevational view, with the cap removed for ease of illustration;
 FIG. 10 is a rear elevational view, with the cap removed for ease of illustration;
 FIG. 11 is a side elevational view taken from the right side of FIG. 10;
 FIG. 12 is a side elevational view taken from the left side of FIG. 10; and,
 FIG. 13 is a top plan view thereof, with the cap removed for ease of illustration.

1 Claim, 8 Drawing Sheets

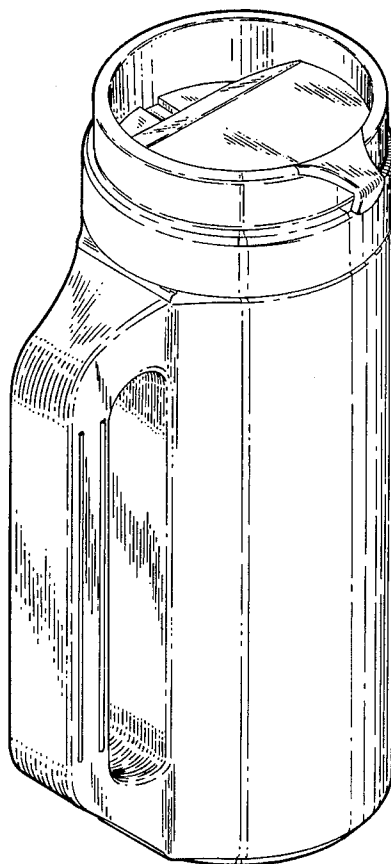
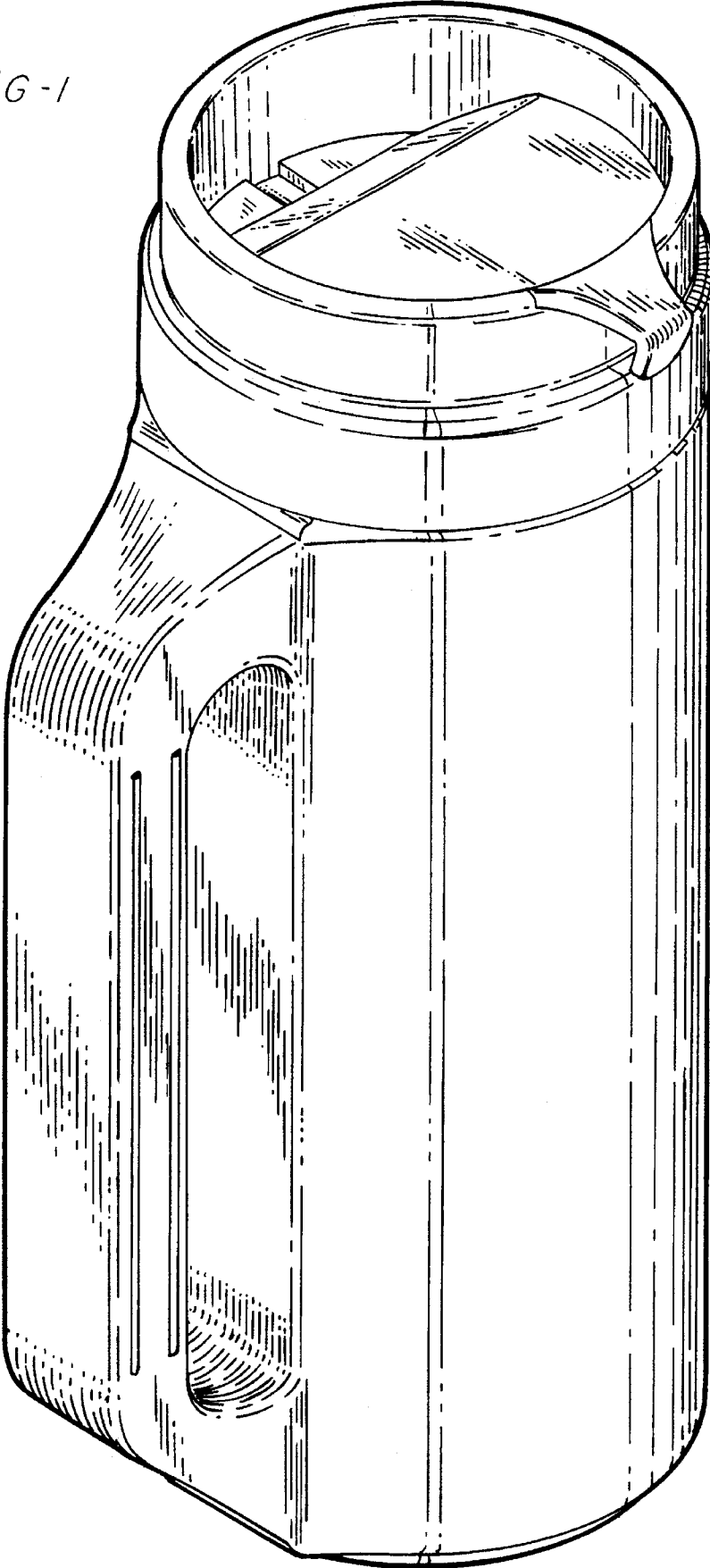
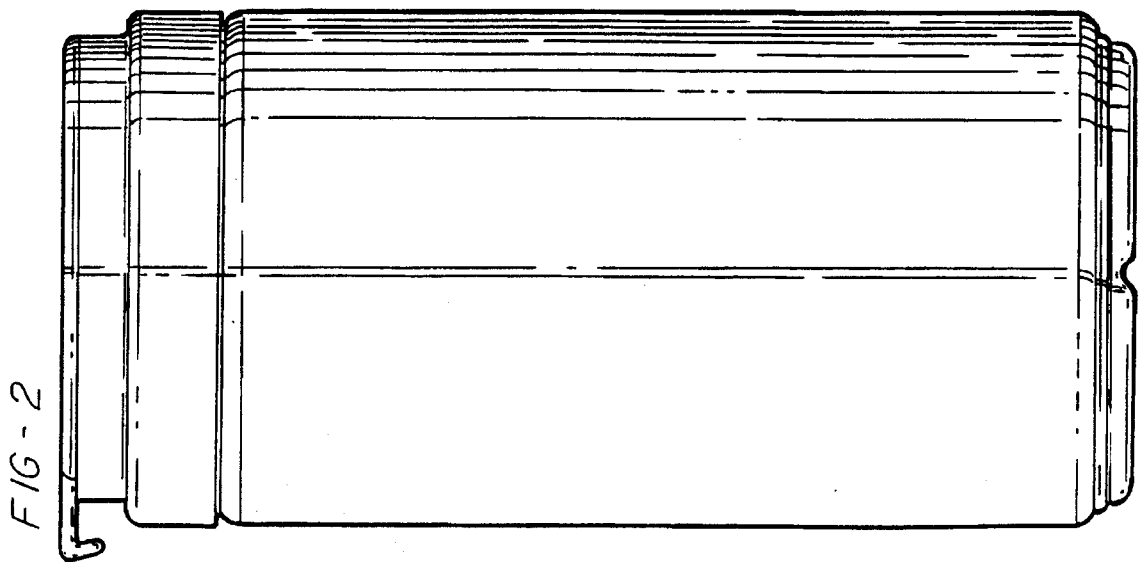
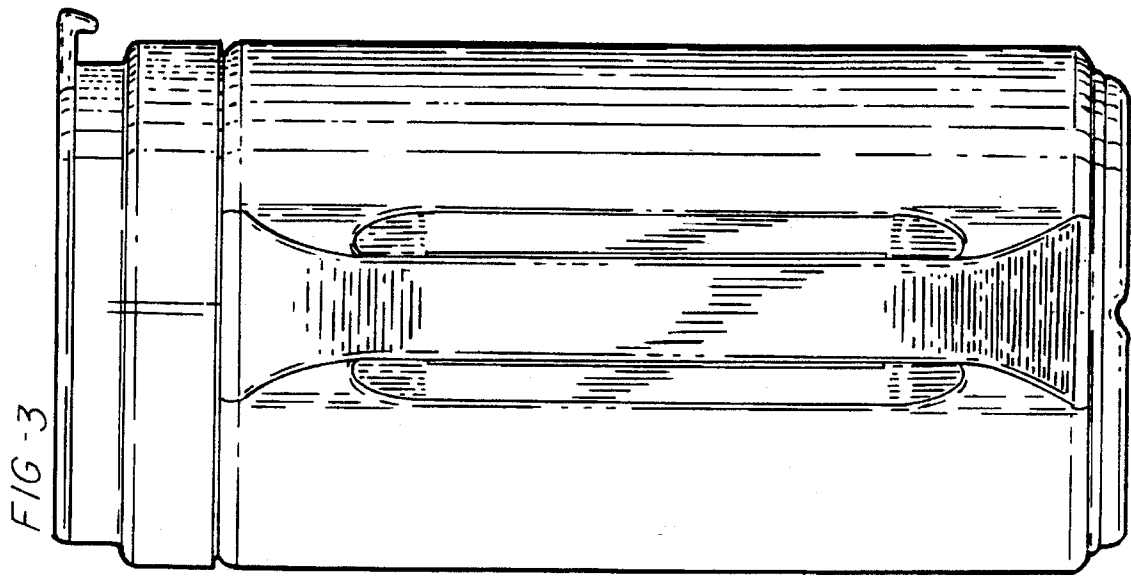


FIG-1





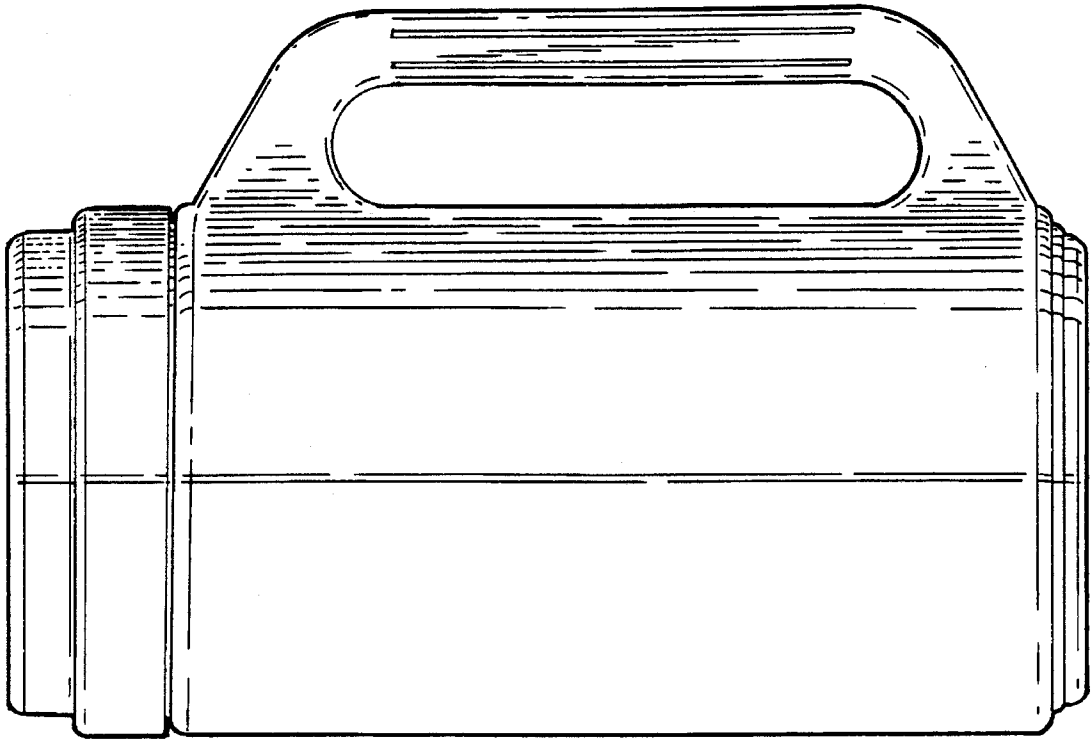


FIG-5

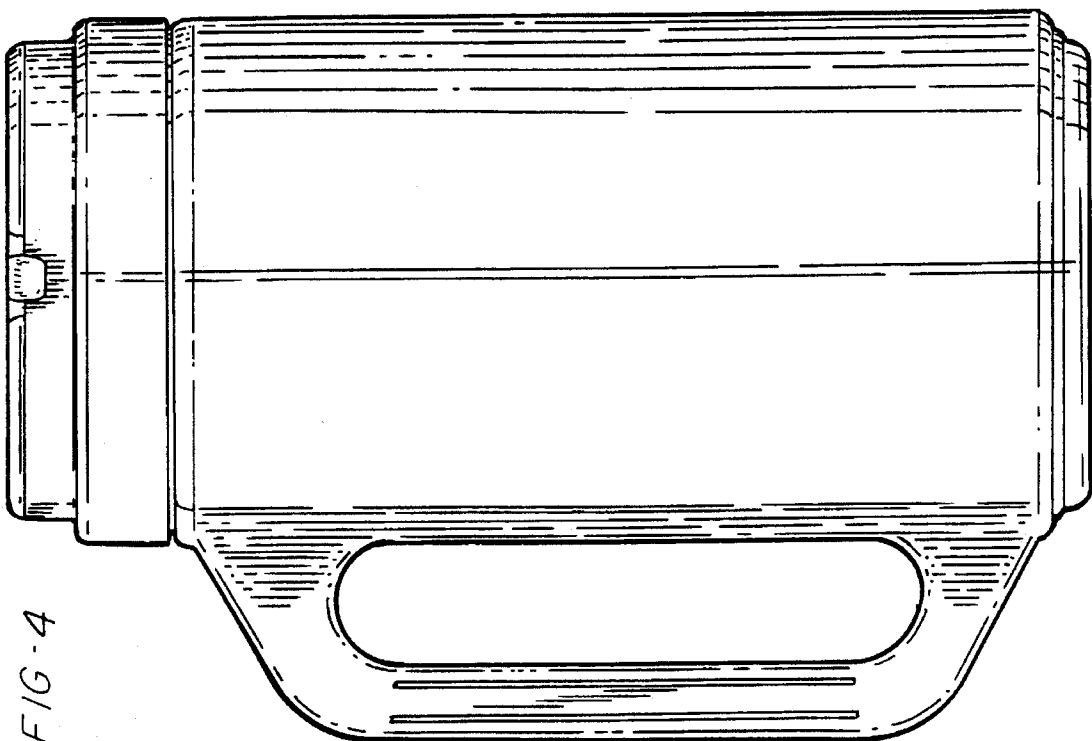


FIG-4

FIG-6

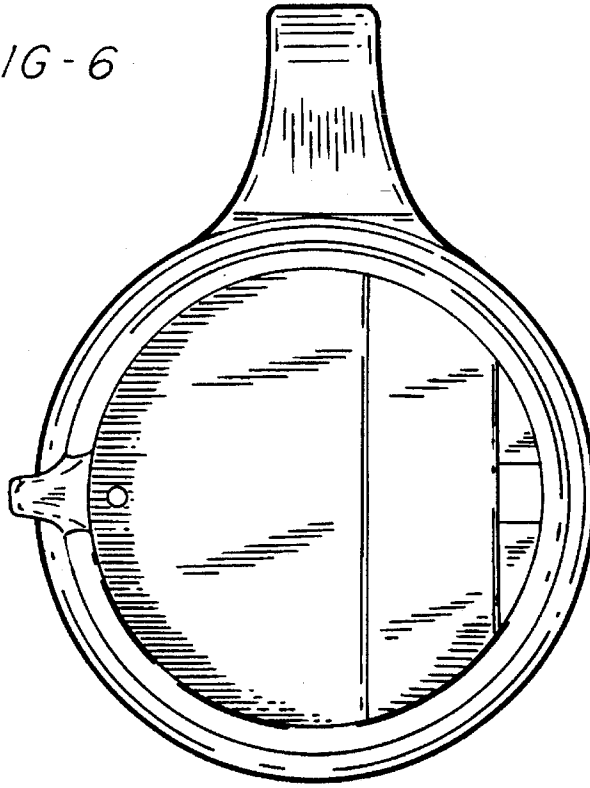


FIG-7

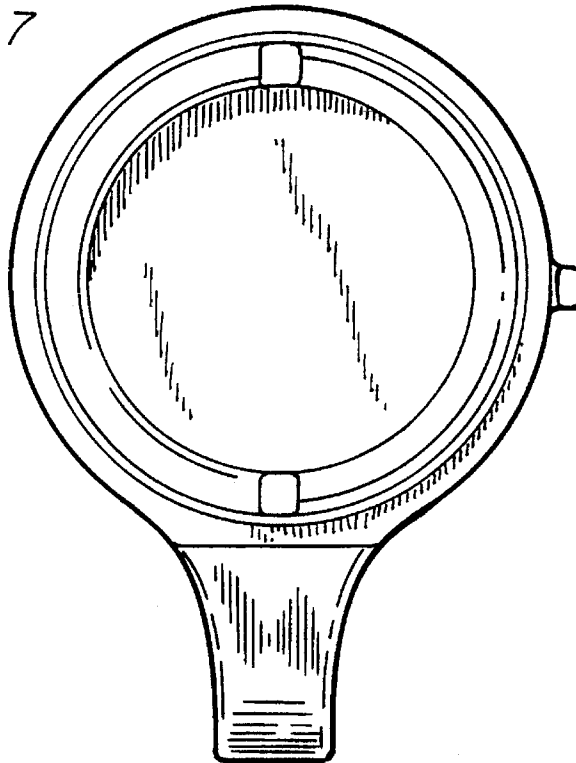


FIG -8

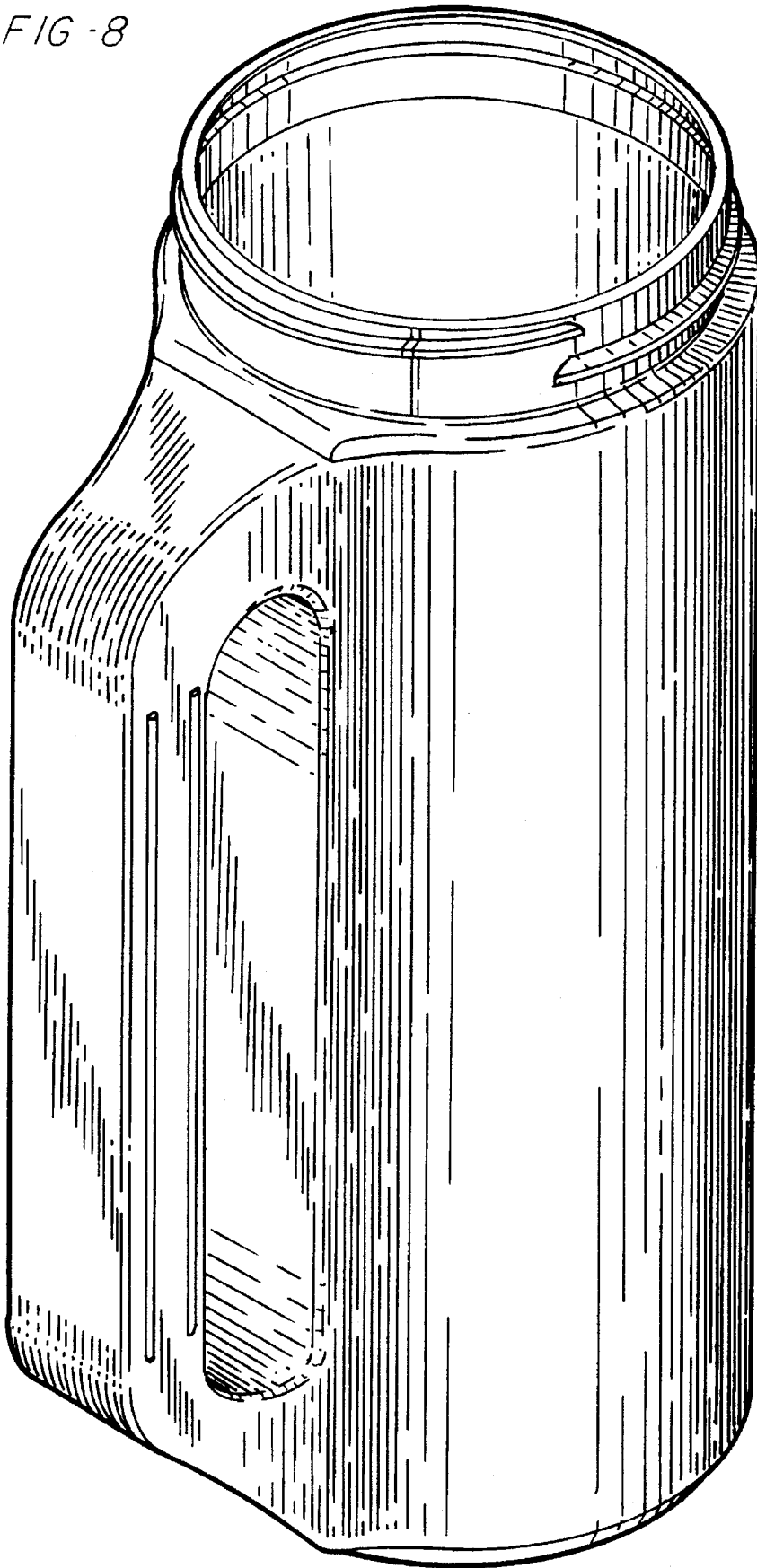


FIG - 10

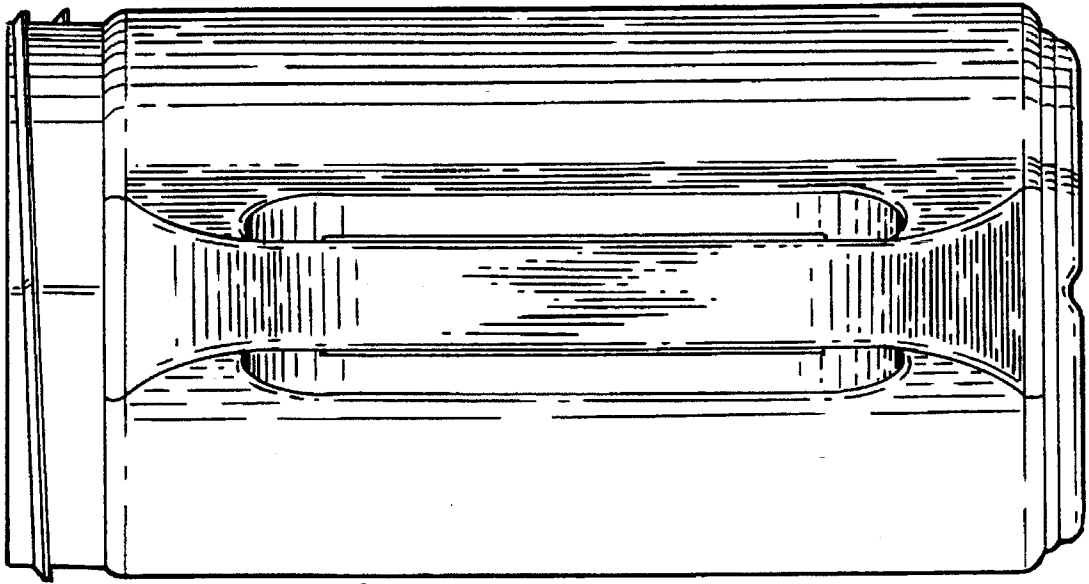
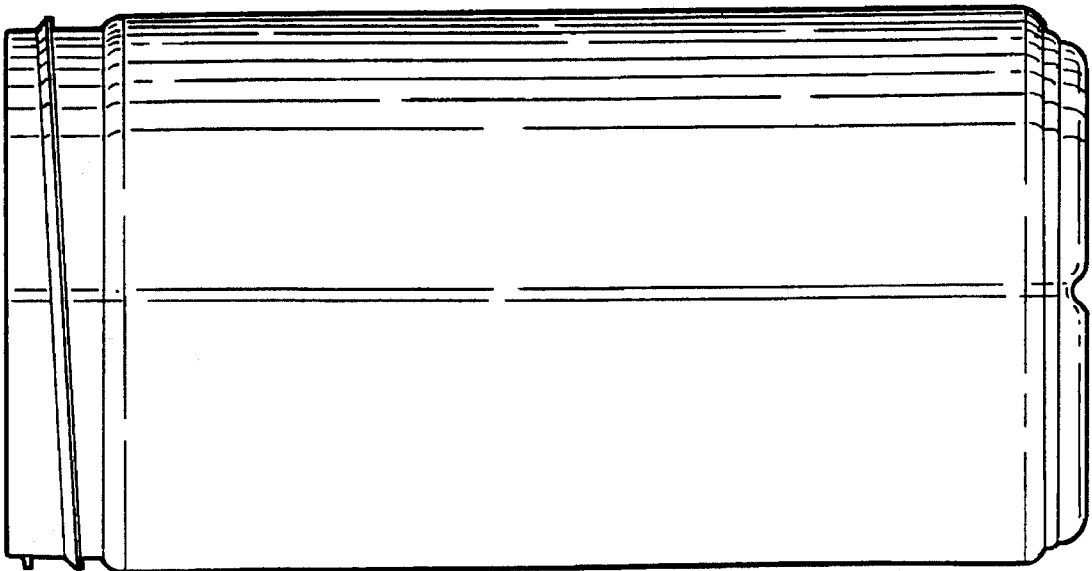


FIG - 9



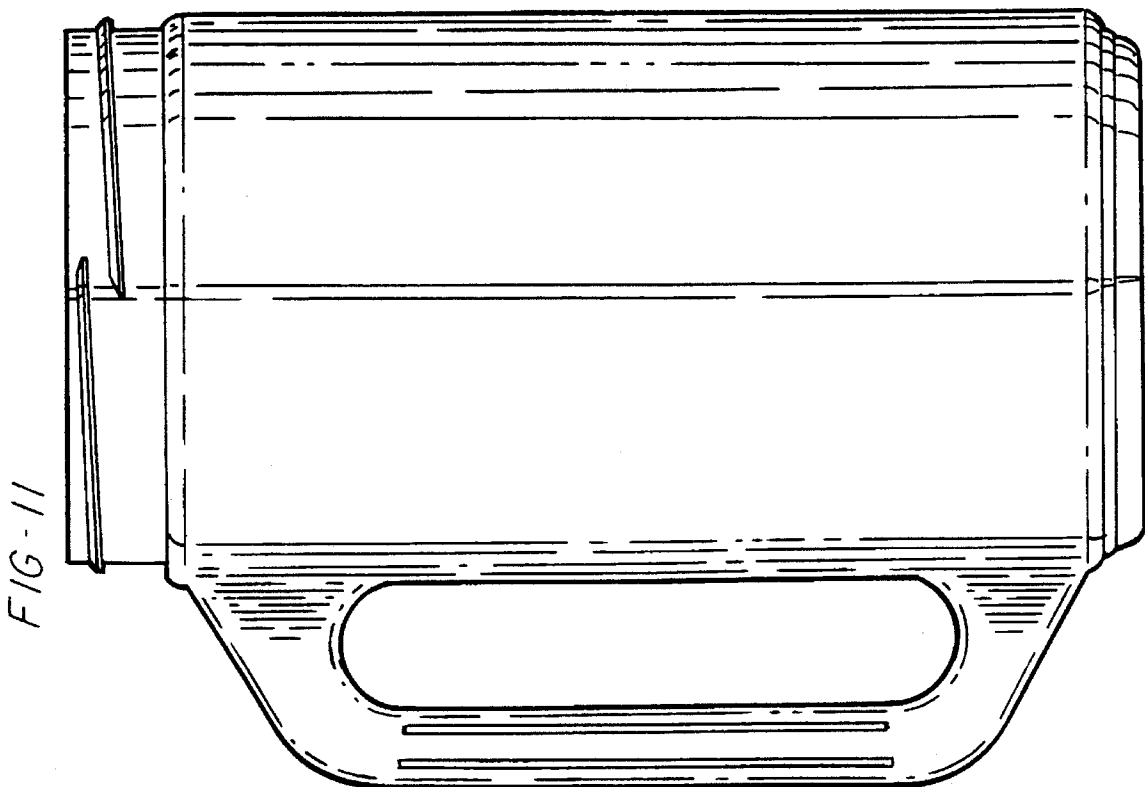
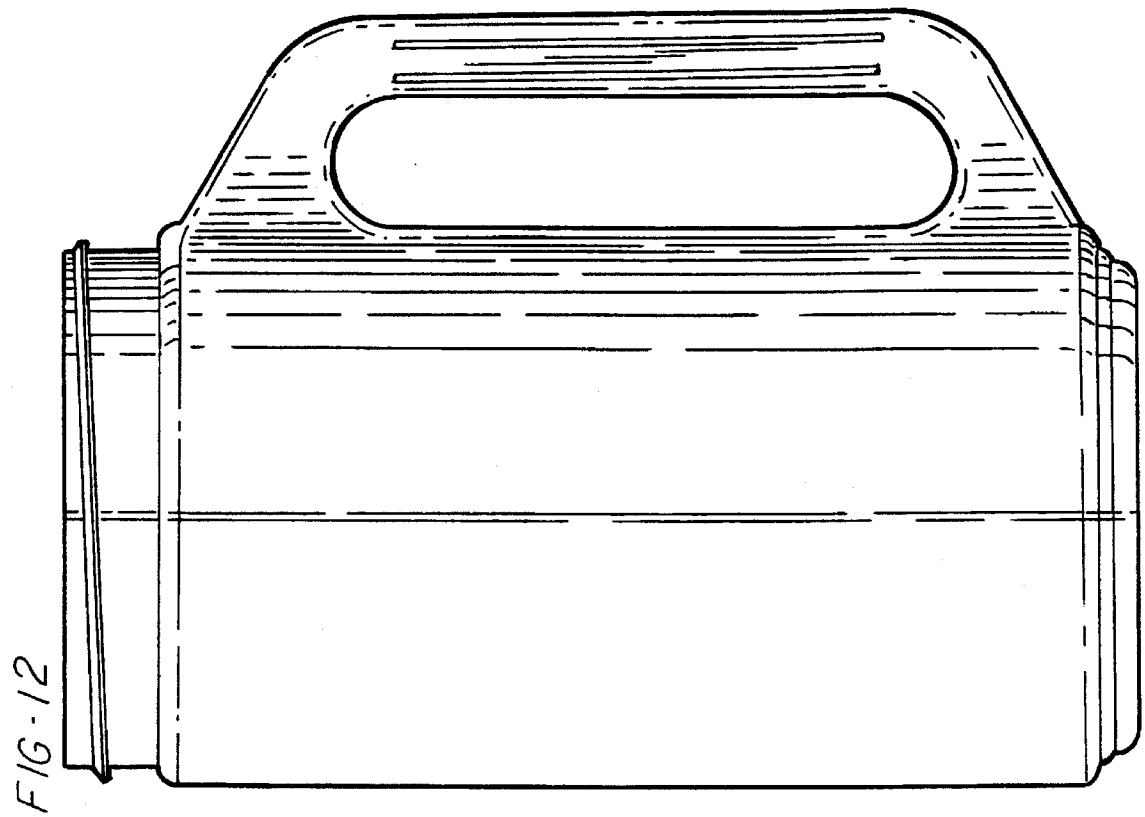


FIG-13

