



US00D717432S

(12) **United States Design Patent**
Leroy et al.

(10) **Patent No.:** **US D717,432 S**
(45) **Date of Patent:** **** Nov. 11, 2014**

(54) **LAPAROSCOPIC PORT**

(71) Applicants: **Joel Leroy**, Bouvigny-Boyeffles (FR);
Michael Sauer, Tuttlingen (DE);
Sebastian Wagner, Bretten (DE);
Thomas Weishaupt, Sigmaringen (DE);
Daniela Wiest, Stockach (DE)

(72) Inventors: **Joel Leroy**, Bouvigny-Boyeffles (FR);
Michael Sauer, Tuttlingen (DE);
Sebastian Wagner, Bretten (DE);
Thomas Weishaupt, Sigmaringen (DE);
Daniela Wiest, Stockach (DE)

(73) Assignee: **KARL STORZ GmbH & Co. KG**,
Tuttlingen (DE)

(**) Term: **14 Years**

(21) Appl. No.: **29/439,537**

(22) Filed: **Dec. 12, 2012**

(30) **Foreign Application Priority Data**

Jun. 12, 2012 (EM) 002055913-0008

(51) **LOC (10) Cl.** **24-02**

(52) **U.S. Cl.**
USPC **D24/138**

(58) **Field of Classification Search**
USPC D24/138, 170, 129, 224, 144, 133, 145;
604/93.01, 164.01–164.09, 174, 175,
604/167.01–167.06; 606/108; 600/201,
600/203–206, 208

See application file for complete search history.

(56) **References Cited**

U.S. PATENT DOCUMENTS

6,832,984	B2 *	12/2004	Stelzer et al.	600/106
D664,654	S *	7/2012	Cuschieri et al.	D24/138
D666,718	S *	9/2012	Hermle	D24/138
8,328,761	B2 *	12/2012	Widenhouse et al.	604/164.08
8,628,539	B2 *	1/2014	Edelman et al.	606/108
D699,845	S *	2/2014	Leroy et al.	D24/144
D699,846	S *	2/2014	Leroy et al.	D24/144
2005/0096501	A1 *	5/2005	Stelzer et al.	600/101
2010/0081995	A1 *	4/2010	Widenhouse et al.	604/164.08
2010/0228090	A1 *	9/2010	Weisenburgh et al.	600/201
2010/0274093	A1 *	10/2010	Shelton, IV	600/206

* cited by examiner

Primary Examiner — Ian Simmons

Assistant Examiner — Rhea Shields

(74) *Attorney, Agent, or Firm* — Muncy, Geissler, Olds & Lowe, P.C.

(57) **CLAIM**

The ornamental design for a laparoscopic port, as shown and described.

DESCRIPTION

FIG. 1 is a left side elevational view of a laparoscopic port of the present invention. FIG. 2 is a right side elevational view of the laparoscopic port of FIG. 1.

FIG. 3 is a front elevational view of the laparoscopic port of FIG. 1.

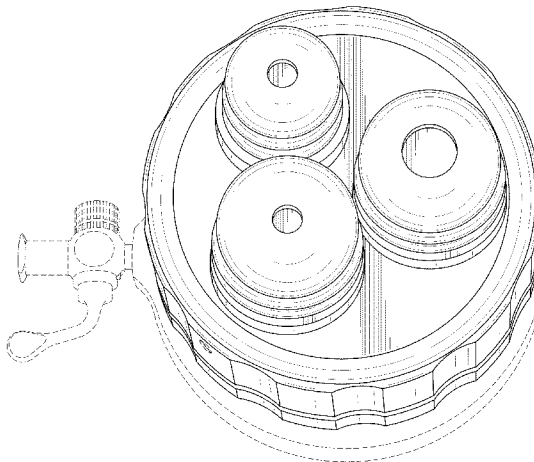
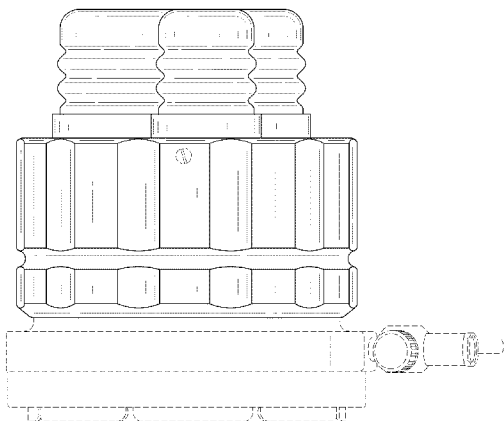
FIG. 4 is a rear elevational view of the laparoscopic port of FIG. 1.

FIG. 5 is a top perspective view of the laparoscopic port of FIG. 1; and,

FIG. 6 is a bottom perspective view of the laparoscopic port of FIG. 1.

In the drawings, the broken lines depict environmental subject matter only and form no part of the claimed design.

1 Claim, 6 Drawing Sheets



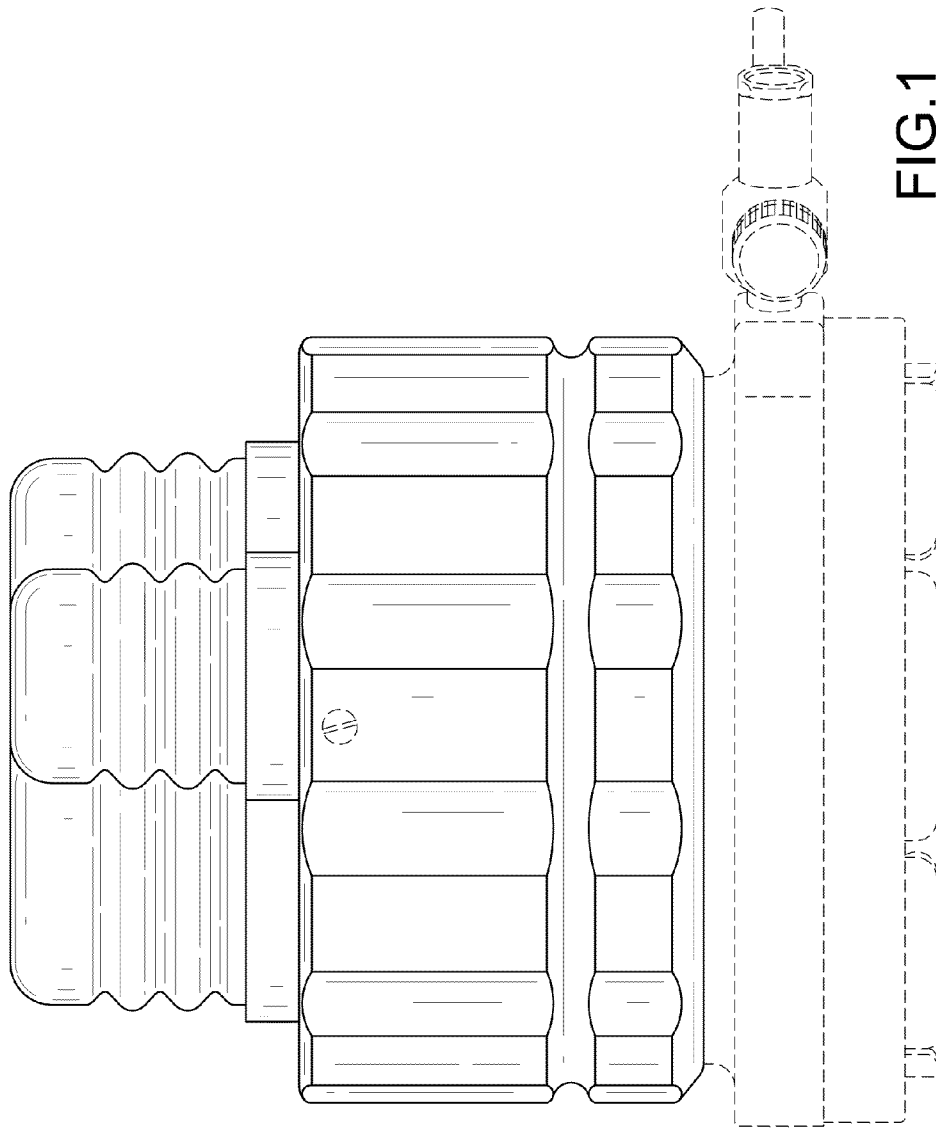


FIG.1

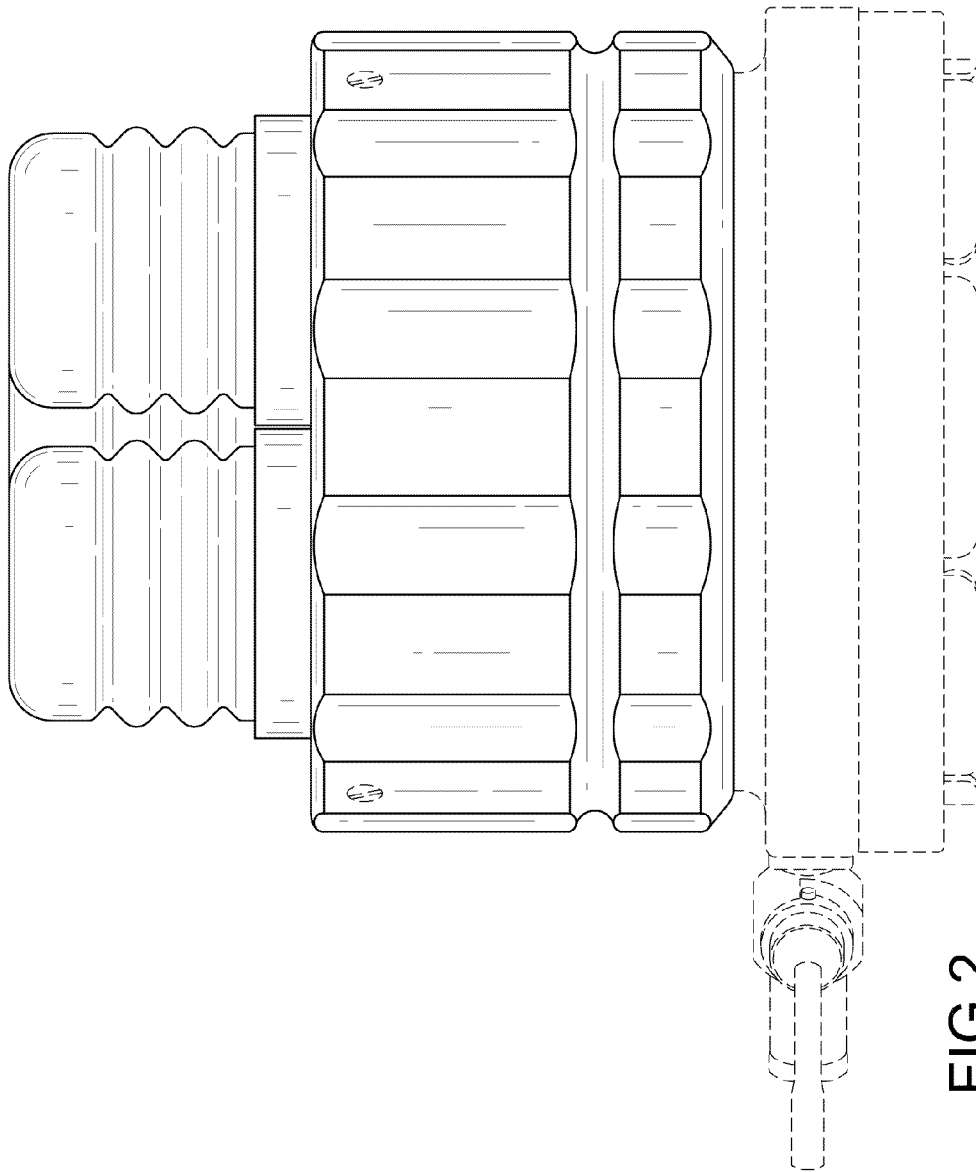


FIG.2

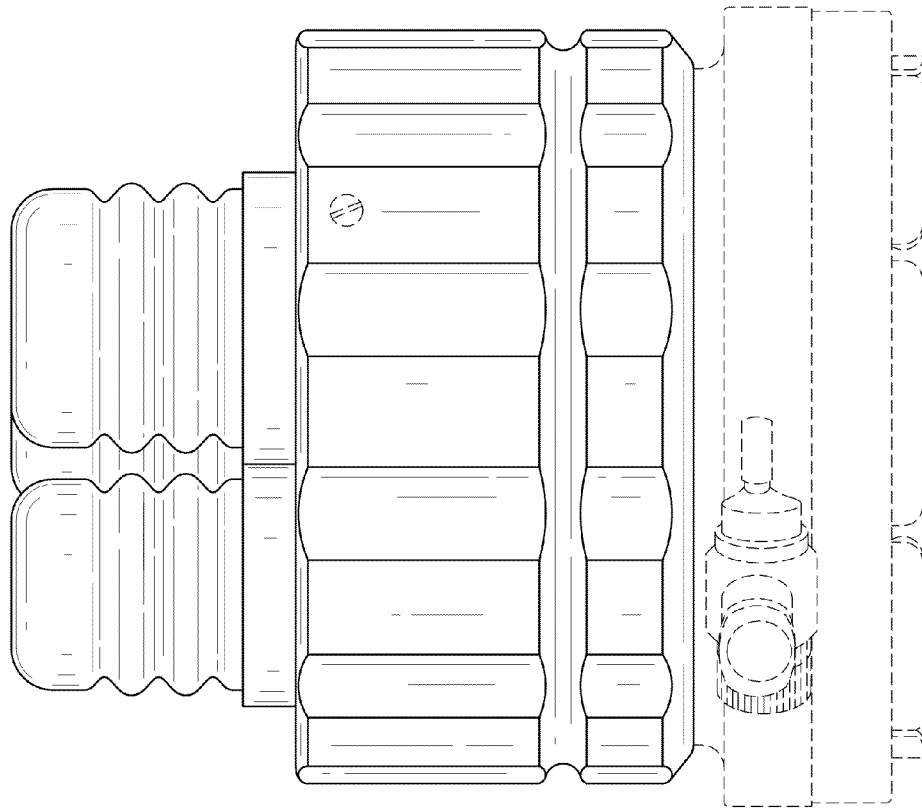


FIG.3

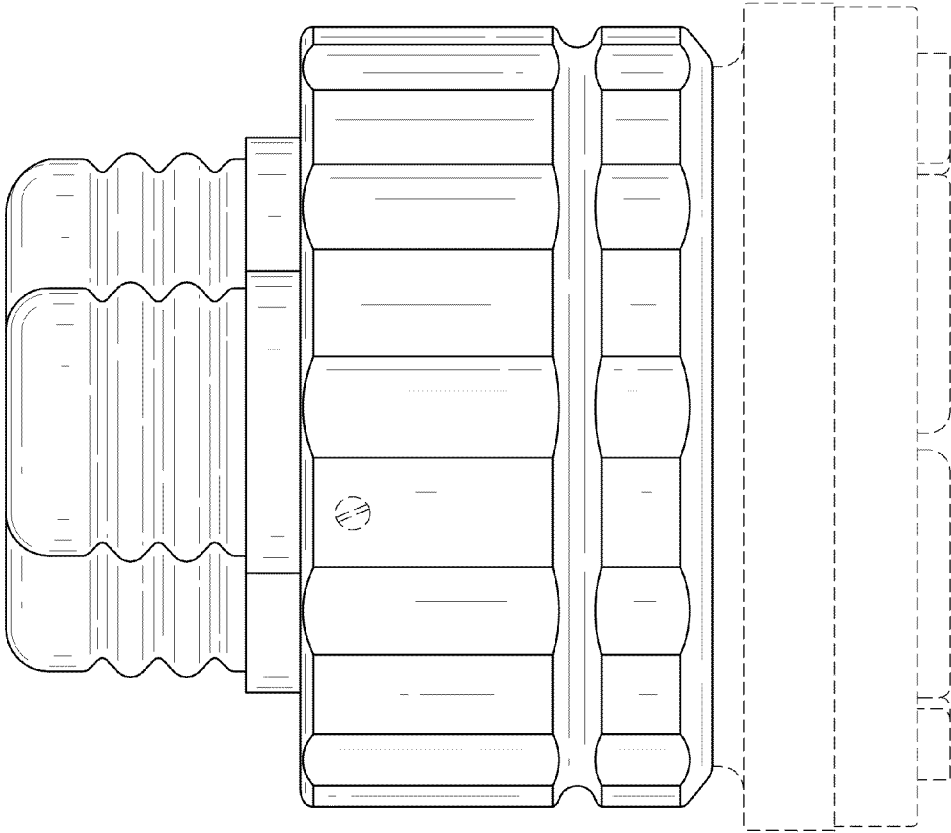


FIG.4

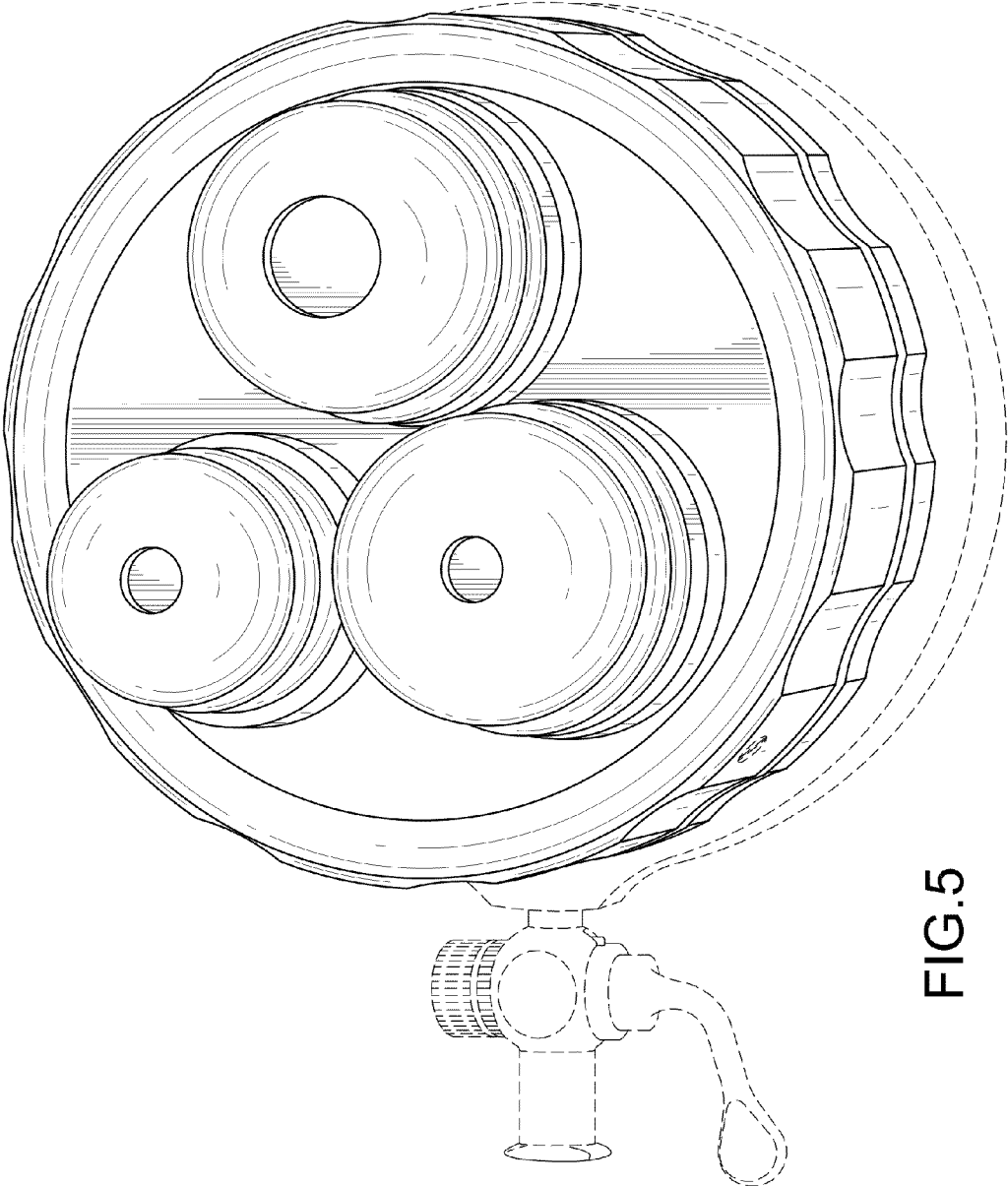


FIG.5

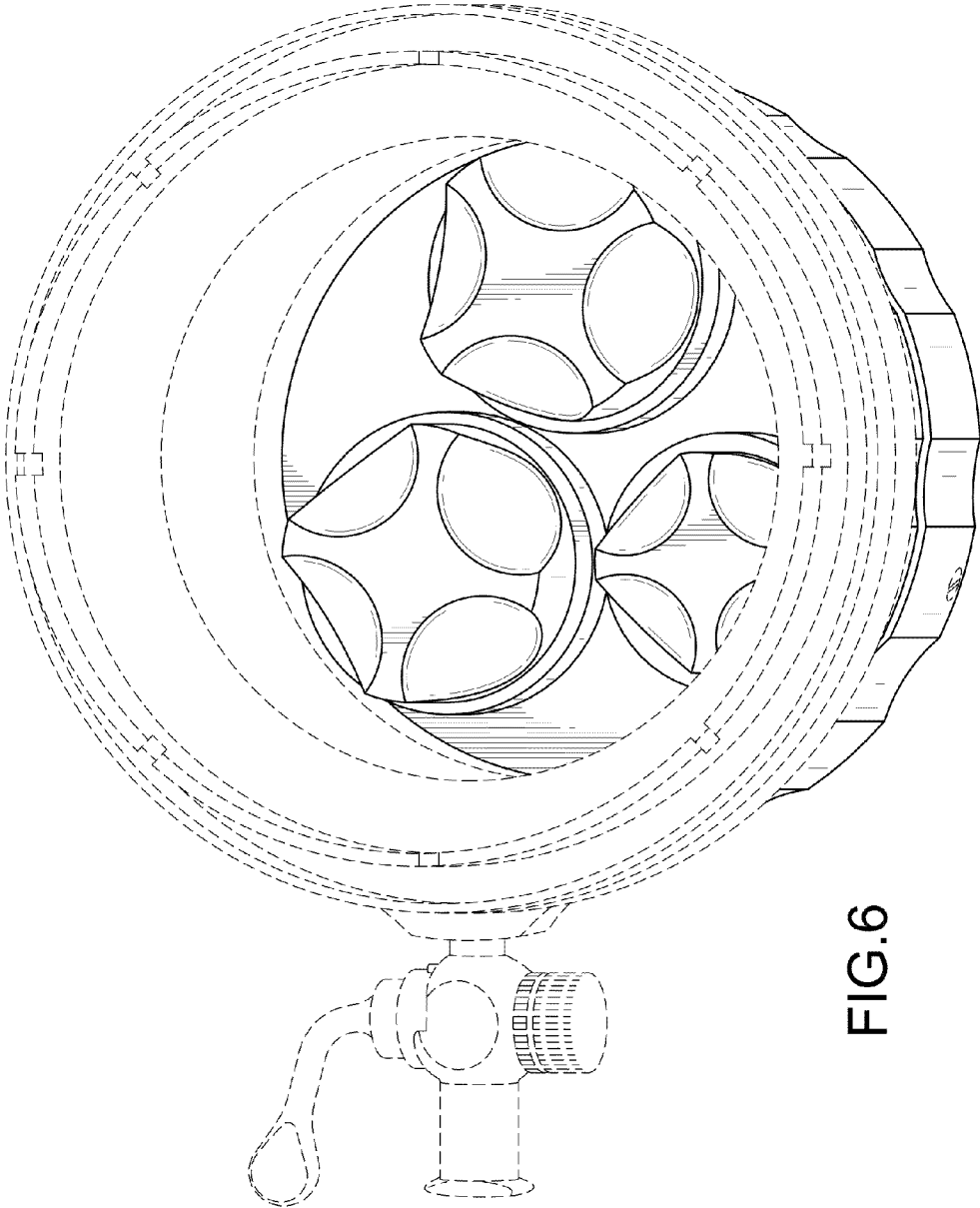


FIG.6