



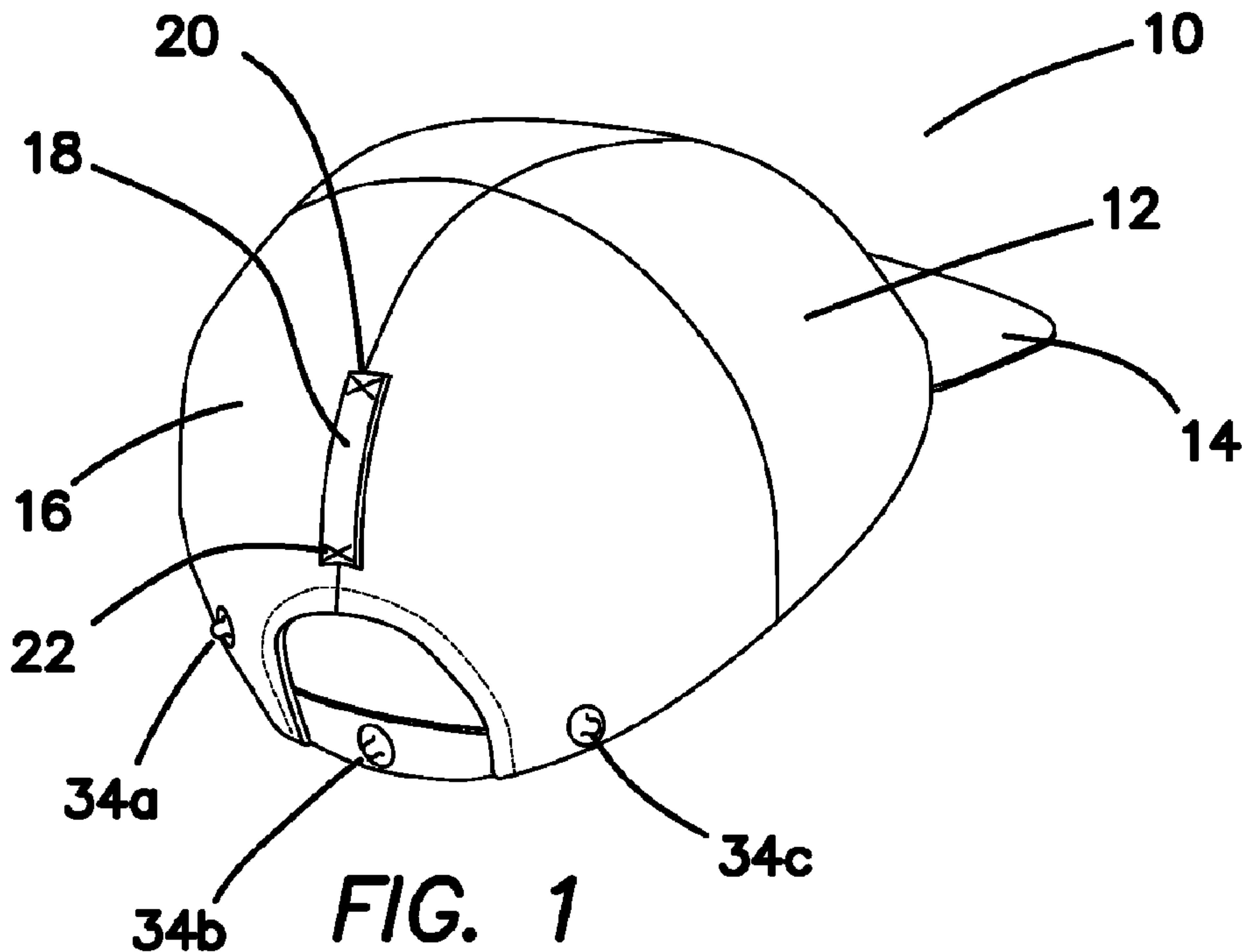
(12) **DEMANDE DE BREVET CANADIEN
CANADIAN PATENT APPLICATION**

(13) **A1**

(86) **Date de dépôt PCT/PCT Filing Date:** 2018/08/30
 (87) **Date publication PCT/PCT Publication Date:** 2019/03/14
 (85) **Entrée phase nationale/National Entry:** 2020/03/05
 (86) **N° demande PCT/PCT Application No.:** US 2018/048723
 (87) **N° publication PCT/PCT Publication No.:** 2019/050758
 (30) **Priorité/Priority:** 2017/09/08 (US15/699,014)

(51) **Cl.Int./Int.Cl. A42B 1/00** (2006.01),
A42B 1/20 (2006.01)
 (71) **Demandeur/Applicant:**
PLON, RICHARD STANLEY, US
 (72) **Inventeur/Inventor:**
PLON, RICHARD STANLEY, US
 (74) **Agent:** GOWLING WLG (CANADA) LLP

(54) **Titre : CHAPEAU POUVANT ETRE SOLIDEMENT ATTACHE**
 (54) **Title: SECURABLE HAT**



(57) **Abrégé/Abstract:**

The present invention provides hats with attachment assemblies allowing them to be detachably secured to an article of clothing. In one example, the attachment assembly permits the hat to be detachably secured in an exterior-side out configuration to a belt of medium width worn around the wearer's waist, without requiring the hats to be inverted or reversed, and without any need for pockets, linings, zippers or the like. The hats may also be provided with retention members for holding the hats in a simple folded configuration when carried on the person. In such a configuration small personal items such as keys, loose change, mobile telephones may be carried in the retained, folded hat.

(12) INTERNATIONAL APPLICATION PUBLISHED UNDER THE PATENT COOPERATION TREATY (PCT)

(19) World Intellectual Property
Organization
International Bureau(10) International Publication Number
WO 2019/050758 A1(43) International Publication Date
14 March 2019 (14.03.2019)

(51) International Patent Classification:

A42B 1/00 (2006.01) A42B 1/20 (2006.01)

(21) International Application Number:

PCT/US2018/048723

(22) International Filing Date:

30 August 2018 (30.08.2018)

(25) Filing Language:

English

(26) Publication Language:

English

(30) Priority Data:

15/699,014 08 September 2017 (08.09.2017) US

(72) Inventor; and

(71) Applicant: **PLON, Richard, Stanley** [US/US]; 4 Oakgrove, Irvine, CA 92604 (US).(74) Agent: **FISHER, Carlos, A.**; Stout, Uxa & Buyan LLP, 23461 South Pointe Dr. Suite 120, Laguna Hills, CA 92653 (US).

(81) Designated States (unless otherwise indicated, for every kind of national protection available): AE, AG, AL, AM, AO, AT, AU, AZ, BA, BB, BG, BH, BN, BR, BW, BY, BZ, CA, CH, CL, CN, CO, CR, CU, CZ, DE, DJ, DK, DM, DO, DZ, EC, EE, EG, ES, FI, GB, GD, GE, GH, GM, GT, HN, HR, HU, ID, IL, IN, IR, IS, JO, JP, KE, KG, KH, KN, KP, KR, KW, KZ, LA, LC, LK, LR, LS, LU, LY, MA, MD, ME,

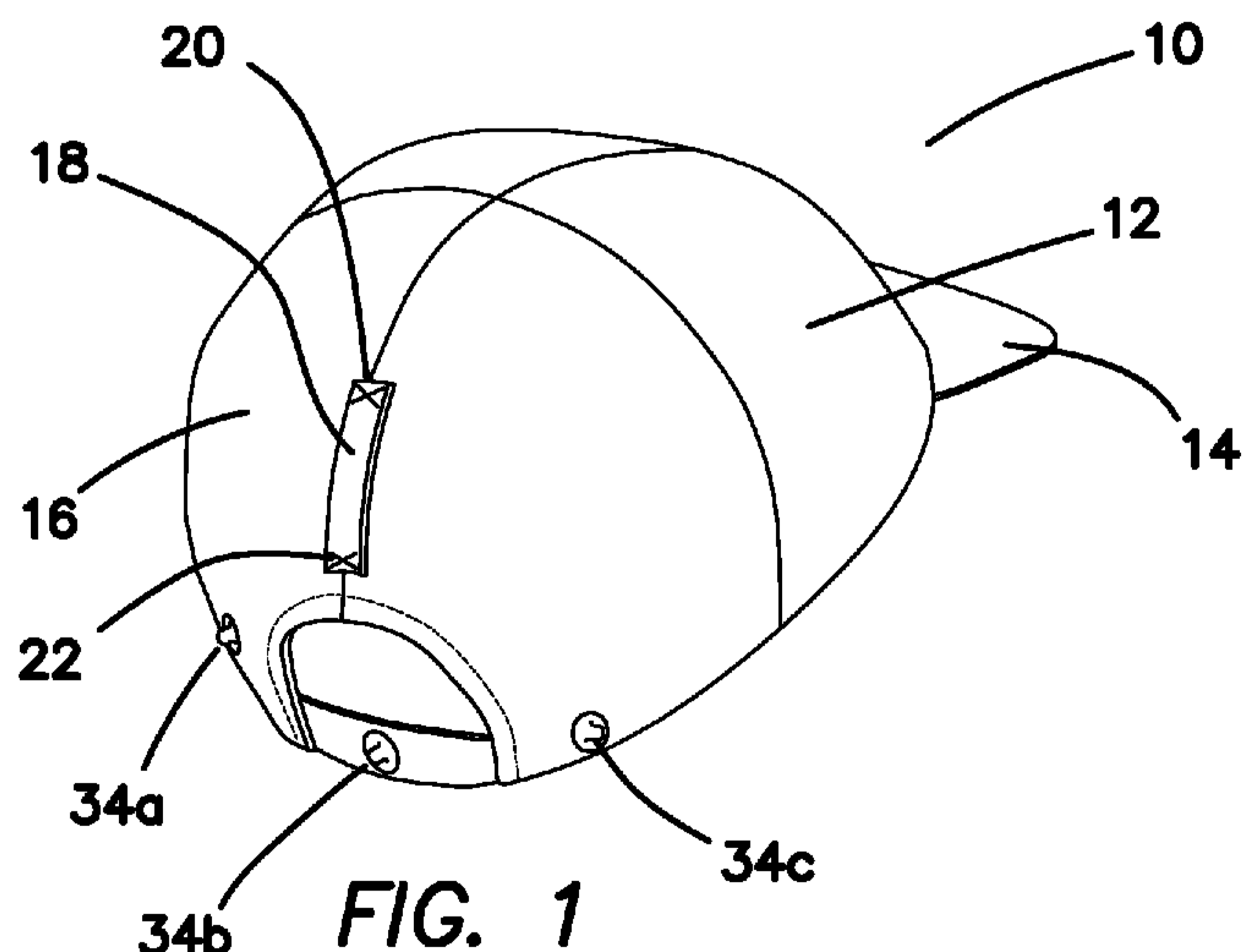
MG, MK, MN, MW, MX, MY, MZ, NA, NG, NI, NO, NZ, OM, PA, PE, PG, PH, PL, PT, QA, RO, RS, RU, RW, SA, SC, SD, SE, SG, SK, SL, SM, ST, SV, SY, TH, TJ, TM, TN, TR, TT, TZ, UA, UG, US, UZ, VC, VN, ZA, ZM, ZW.

(84) Designated States (unless otherwise indicated, for every kind of regional protection available): ARIPO (BW, GH, GM, KE, LR, LS, MW, MZ, NA, RW, SD, SL, ST, SZ, TZ, UG, ZM, ZW), Eurasian (AM, AZ, BY, KG, KZ, RU, TJ, TM), European (AL, AT, BE, BG, CH, CY, CZ, DE, DK, EE, ES, FI, FR, GB, GR, HR, HU, IE, IS, IT, LT, LU, LV, MC, MK, MT, NL, NO, PL, PT, RO, RS, SE, SI, SK, SM, TR), OAPI (BF, BJ, CF, CG, CI, CM, GA, GN, GQ, GW, KM, ML, MR, NE, SN, TD, TG).

Published:

— with international search report (Art. 21(3))

(54) Title: SECURABLE HAT



(57) Abstract: The present invention provides hats with attachment assemblies allowing them to be detachably secured to an article of clothing. In one example, the attachment assembly permits the hat to be detachably secured in an exterior-side out configuration to a belt of medium width worn around the wearer's waist, without requiring the hats to be inverted or reversed, and without any need for pockets, linings, zippers or the like. The hats may also be provided with retention members for holding the hats in a simple folded configuration when carried on the person. In such a configuration small personal items such as keys, loose change, mobile telephones may be carried in the retained, folded hat.

SECURABLE HAT

RELATED APPLICATIONS

5 This international application claims the benefit of U.S. patent application 15/699,014, filed September 8, 2017, which was a continuation-in-part of U.S. patent application 14/806,377, filed July 22, 2015, each of which is hereby incorporated by reference herein in its entirety.

10 FIELD OF THE INVENTION

 The present invention relates to hats and, in particular, to hats that can be secured to articles of clothing. More specifically, the invention relates to hats that can be secured to the body for storage; in preferred examples the hats of the present invention
15 are structured to be secured to a belt worn on the person, for example, around an individual's waist.

BACKGROUND

20 Hats are a valuable defense against the sun and inclement weather. Available in a wide variety of shapes, sizes, and styles, they may shield the wearer's eyes from glare, may protect the head from excessive heat and cold, and may reduce the risk of skin cancer. However, a perennial question remains concerning how and where one is to store or carry a hat that is not currently being worn; for example, when the wearer is
25 indoors or at nighttime. Hats are constantly lost or misplaced as a result of their owners simply forgetting where they set them down or left them, or when a hat slips onto the floor unnoticed.

 U.S. Patent No. 5,799,335 to Ethier and U.S. Patent No. 7,257,845 to Conner disclose convertible hats that can be reassembled into handbags, shoulder bags, satchels,
30 fanny packs or the like. However, each of these hat designs is somewhat complicated

and requires that the hat be folded, collapsed, turned inside out, or otherwise inverted in a way that would not be intuitive or convenient to most users. Furthermore, although Ethier and Conner disclose embodiments in which the hat may be converted in form, for example, to a fanny pack or a self-containing bag or other container, and worn
5 joined to an elastic cord or strap that is incorporated as part of the convertible hat for use in one or more of these other, "non-hat" forms. Furthermore, none of these convertible hats is structured and designed to be fastened to a separate, medium-width belt of the type normally worn with slacks, jeans or similar casual clothing.

U.S. Patent No. 6,317,892 to Galigani, U.S. Patent No. 7,036,155 to Rugg, U.S.
10 Patent No. 6,320,331 to Aguilar et al., and international patent application US20060048279 by Bartos, all show hats provided with hard fasteners such as clasps, clips, or rings for attachment to a belt. These rigid fasteners can be problematic, however, in that their hardness makes them uncomfortable if they rub against the user's head. They also may be somewhat costly, prone to breakage, bulky, and easily lost.

15 Accordingly, there is a long-felt need for hats that can easily be secured to belts of a wide variety of width in a simple and intuitive fashion, are inexpensive to manufacture, and do not require separate extra parts.

SUMMARY

20

The present invention provides hats with attachment assemblies allowing them to be detachably secured to the wearer's body, for example to a waistbelt. The attachment assembly is configured to be joined to a standard belt worn around the wearer's waist, preferably without requiring the hats to be inverted, reversed, or folded
25 in a complex fashion, and without the need for pockets, linings, zippers, bags, or the like.

In its simplest, most basic form, a hat according to the present invention may comprise a crown portion, an optional brim portion, and an attachment assembly. The attachment assembly may comprise, for example, at least one strip of suitably flexible material, for example, a fabric material, a leather material, a polymeric material and/or an elastomeric material, having at least one of a first end and a second end attached to the exterior side of either the brim or crown portion, with the unattached end, if any, being attachable by any suitable fastener (such as, without limitation, a snap fastener, a hook fastener, a magnetic fastener, a buckle (such as a polymeric sliding side-release buckle), a button fastener, an alligator clip-type fastener, and/or a hook and loop VELCRO[®]-type fastener). Preferably, but not necessarily always, the first and/or second ends and any fasteners are arranged to permit the ends of the strip to be attached to the exterior side of the crown portion along a substantially vertical axis relative to the orientation of the hat while it is being worn. However, in some examples the ends of the strip are fastened, or are structured to be fastened, to one or more interior portion of the brim or crown. A substantially vertical axis shall mean an axis within about 45° of the vertical. The strip is of sufficient length, preferably at least about 1.25", or at least about 1.50", or at least about 1.75" in length, to enable an ordinary belt of at least medium width to be extended through it.

In one example, a single strip is provided, in the form of a length of material that is joined (e.g., by sewing) and/or fastened (i.e., by a suitable fastener) to the exterior of the hat crown and/or brim in such a way as to define a loop. In another exemplary example, the strip is defined in the form of material located between two closely spaced, similarly oriented slits in the crown or brim portion material. In this latter example, the first end and second end of the strip are joined to and continuous with the material of the portion. In some examples, the attachment assembly may be joined to the brim portion. In some examples, the attachment assembly may be joined to the crown portion. Additionally and independently, however the attachment assembly may otherwise be configured, the attachment assembly may in a particular case comprise a plurality of strips, such as two, three, four or more strips.

As disclosed above, in some examples, one end of the strip is detachably

fastened to the crown portion, so that the loop can easily be opened up, wrapped around the wearer's belt, and then fastened, without requiring the user to unfasten the belt from around his or her body or fold the hat into another form. In other examples, the attachment assembly may be joined to the brim portion of a hat, or may bridge the
5 brim and crown portions thereof.

In addition, in some examples, the hat is formed of sufficiently flexible material to allow it to be folded, for example, in one or more pleat when the hat is attached to a belt using the attachment assembly. Optionally, the hat may also have at least one retention member comprising one or more suitable fastener for holding the hat in a
10 folded position when secured to the belt.

In certain examples, the hat may have one or more magnet secured in a crown portion or a brim portion hereof, with a magnetically attractive material secured in an opposing part of the hat. For example (and without limitation), in the case that the hat is a “newsboy” or “cheese cutter” type hat the magnet(s) may be secured in the bottom of
15 the back of the crown, and the magnetically attractive material may be secured in the front edge of the crown, or in the front portion of the brim. The attachment apparatus may be located on the outside of the back of the crown portion. In this way when the hat is secured to the user's belt the hat may be securely folded by flipping the brim down so that the magnets and magnetic material come into proximity with each other.
20 In such cases, the interior of the crown may be used to provide a convenient carrying pouch for keys, cell phone and other items.

Of course, the fasteners required to retain the hat in a securely folded conformation need not be magnets, but may alternatively be any other suitable and secure fastener type.

25 In another example, the present invention may comprise a short strap or cord (hereinafter “cord”) having a fastener at a plurality of positions or ends thereof. The cord may comprise one or more strands. In one example, the cord may comprise the same type of fastener at each such position or end; in another example, the plurality of

ends may comprise two or more different fasteners. The cord may in certain cases comprise a natural or synthetic elastic material such as a material having flexibility along the linear axis of the cord. Additionally, or alternatively the cord may be made of any suitably strong lightweight material, such as a strip or braided material comprising
5 leather, a polymer, cloth and/or metal.

In some examples, the cord may comprise fasteners at two ends thereof comprising magnetically attractive materials, such as a magnet at one end and an iron material at another end, or magnets oriented to bring magnetically attractive opposite poles together. In such an example the cord may comprise one or more fasteners are
10 structured to attach to a hat. For example, the hat may comprise a female portion of a sliding side-release buckle such as those seen in backpacks or laptop carrying cases, while the male portion is attached at a point midway along the cord.

In use, the cord may be fastened to a hat at one end thereof, and to an article of clothing on the other end. This is particularly simple when, for example, alligator-type
15 clips are used; one clip can be used to retain the brim or crown portion of a hat, while another end of the cord may be used to clip the cord and hat to a belt, a shirt or trouser waist. Of course, the ends of the cord may also be fastened to the hat at more than one end, thus resulting in a cord loop which can then be worn around the neck.

BRIEF DESCRIPTION OF THE DRAWINGS

20 Additional aspects and examples of the present invention will become evident upon reviewing the non-limiting examples described in the specification and the claims, which may be taken in conjunction with the accompanying figures. Herein, like numerals in the drawings and specification designate like elements, and:

Fig. 1 is a 3/4 perspective view from the rear of an example of the invention;

25 **Figs 2-4** are fragmentary 3/4 perspective views from the rear, showing alternate examples of the invention;

Fig. 5 is a fragmentary perspective view showing a hat according to any one of Figs. 1-4 in an inverted position;

Fig. 6 is a fragmentary perspective view showing the hat of Fig. 1 being worn in a folded configuration on the belt of a user;

5 **Fig. 7** is a 3/4 perspective view from the rear of another exemplary embodiment of the invention;

Fig. 8 is a perspective view showing the hat of Fig. 7 in an inverted position, with an item stored within;

10 **Fig. 9A** is a perspective view of the hat of Figs. 7 and 8 in a folded configuration.

Fig. 9B is a top view of the hat of Fig. 9A in an unfolded configuration.

Fig. 10 is a side view of a “bucket”-style cloth hat of the present invention, showing an exemplary attachment assembly.

15 **Fig. 11** is a view of the hat of Fig. 10 attached to a wearer’s belt by the attachment assembly.

Fig. 12 is a side view of a “bucket”-style cloth hat of the present invention, showing an exemplary attachment assembly.

Fig. 13 is a view showing how a belt is threaded through the attachment assembly of the hat of Fig. 12.

20 **Fig. 14** is a view of the hat of Fig. 12 attached to a wearer’s belt by the attachment assembly.

Fig. 15 is a side view of a woven watch cap or “beanie”, having an attachment assembly joined along a side thereof.

Fig. 16 is a view of the hat of **Fig. 12** attached to a wearer's belt by the attachment assembly.

Fig. 17 is a bottom view of a Panama-style hat comprising an attachment assembly of the invention.

5 **Fig. 18** is a bottom view of a a baseball-type hat comprising another example of the attachment assembly of the invention.

Fig. 19 is a close-up view of the posterior portion of the hat shown in **Fig. 18**.

Fig. 20 is an example of a baseball-type hat comprising a detachable attachment assembly of the invention.

10 **Fig. 21** shows the detached portion of the attachment assembly shown in **Fig. 20**.

Fig. 22 is a bottom view of a foldable newsboy-type hat showing placement of fasteners for securing the hat in a folded configuration.

Fig. 23 shows the hat of **Fig. 22** in a folded and secured configuration.

15 **Fig. 24** is a bottom view of a further Panama-style hat comprising an example of the attachment assembly of the invention.

Fig. 25 shows the Panama-style hat of **Fig. 24** in which the hat is arranged to be worn on a belt.

20 **Fig. 26** shows a safari-style hat comprising an attachment apparatus and a strap for folding the hat when not in use.

Fig. 27 shows a close-up of the brim of the safari-style hat of **Fig. 26**.

Fig. 28 shows a partially folded safari-style hat of **Fig. 26**.

Fig. 29 shows a folded and secured safari-style hat of Fig. 26.

DETAILED DESCRIPTION OF THE INVENTION

In accordance with a first exemplary embodiment of the invention, **Fig. 1**
5 shows a cap **10** having a generally dome-shaped crown portion **12** configured to engage
a wearer's head, and a brim portion **14**, (here a visor or bill), that projects outwardly
from a forward portion of the cap. It will be understood that in some examples of the
invention the brim portion may be absent, or may partially or wholly extend around the
crown portion. An attachment assembly **16** is provided for attachment of the hat to a
10 belt on the wearer's waist.

In the example shown in **Fig. 1**, the attachment assembly comprises a single
strip **18** of material, such as a denim or canvas fabric. First and second ends (**20, 22**) of
the strip **18** are joined to the external back portion of the crown in such a way that the
strip **18** and the underlying portion of the crown together define a loop through which
15 the end of medium-width belt may be passed. In this example the opposite ends **20, 22**
of the strip **18** are sewn to the crown **12**. It will be understood that any appropriate
means of joining the strip ends **20, 22** to the crown portion **12** of the hat, such as sewing
or riveting, may be employed.

In an alternate example shown in **Fig. 2**, the attachment assembly **16'** comprises
20 a plurality of strips **18a', 18b', and 18c'** joined to the hat at closely spaced intervals from
one another. The spacing between strips is preferably no more than about 1"-3" or so;
thus, for example allowing the hat to be gathered into pleat folds when attached to a
wearer's belt.

Fig. 3 shows another exemplary embodiment wherein the attachment assembly
25 **16''** comprises a flexible strip **18''** having a first end **20''** sewn to the crown portion **12''**
and a second end **22''** fastened to the crown by means of a releasable connection
between a first fastener element (not shown) on the second end **22''** and a second

fastener element 26'' on the crown portion 12''. The second fastener element 26'' is shown here as a male snap fastener; the first fastener element is in this case a female fastener element. However, other releasable fastener elements such as buttons, hook and loop type fasteners and the like, are also suitable for use in attachment assemblies of this type. Of course, the hat may comprise two or more such strips suitably oriented to all be joined to a single belt in other examples.

A useful feature of attachment assemblies such as those shown in Fig. 3 and described above is that the hat may advantageously be joined to the user's belt without taking the belt off by looping the strip around the belt and fastening the first and second fastener elements of each strip component.

Fig. 4 shows still another example, wherein the attachment assembly 16''' comprises a strip 18''' which is defined as an integral portion of the crown portion 12''' disposed between a pair of closely spaced-apart slits 19, 21. In this example, the user secures the cap to the belt by inserting the free end of the belt into one of the slits 19, passing it under the strip 18''', and then pulling it out through the other slit 21 before buckling or otherwise fastening the belt.

The strip or strips 18 in each of the examples shown Figs. 1-4 preferably extends in a substantially radial and vertical orientation toward the apex 28 of the hat 10.

That is, the strip should extend at an angle of no more than about 45° away from a straight line extending between the bottom edge 30 and the apex 28 of the hat 10. In this way, a hat, particularly a soft, foldable hat, may be oriented when worn on a belt in a manner permitting the hat to take up less bulk room on the belt than it might otherwise do.

In an optional configuration, Fig. 5 shows an example in which the hat is a flexible cap; in this view the hat 10 in an inverted position so that its interior surface 32 is visible, revealing a plurality of fastener members mounted along the interior front edge of the hat 10. These fastener members, shown here as female snap fastener

elements **32a**, **32b**, and **32c**, are configured to releasably engage mating male snap fastener elements **34a**, **34b**, **34c** mounted along the exterior rear edge of the hat **10** (see Fig. 1), to maintain the hat **10** in a folded position when it has been secured on the wearer's belt, as shown in Fig. 5. In this and similar configurations, the fastener members permit the cap to folded over itself to form a pocket (see e.g., Fig. 6). Thus, in this folded position, the hat **10** may also serve as a convenient receptacle for containing an item such as a cell phone **38** (see e.g., Fig. 8), wallet, car keys or the like.

The flexible strips **18** in each of the examples shown in Figs. 1-6 are preferably long enough, and the positions at which they are joined to the crown portion of the hat sufficiently widely spaced, to provide adequate clearance for a belt **36** of at least medium width, where the width of the belt is defined as the dimension extending transverse to the length or longitude of the belt. At present, a medium width belt is a recognized to be at least 1-1/4" wide, with at least 1/2" clearance required to allow the belt **36** to be easily slipped through loops defined by the strips **18**. Thus, each strip **18** should preferably be at least about 1.25", or at least about 1.50", or at least about 1.75" inch.

Figs. 7 and 8 show an alternate example of the hat **110**, wherein the attachment assembly **116** comprises a flexible strip **118** that extends in a generally circumferential direction along the bottom rear edge of the crown of the hat **110**. One end **120** of the strip **118** is sewn or otherwise permanently secured to the crown, while the other end **122** is provided with a first element of a releasable fastener member such as a male snap fastener element **124** that mates with a second fastener element of a releasable connection such as female snap fastener element **126** provided on the edge of the crown **112**, preferably at a distance of at least about 1", or at least about 1.5", or at least about 2" away from the first end **120** of the strip **118**. This arrangement serves to hold the strip **118** in place when the hat **110** is being worn on the user's head. However, when the hat **110** is removed from the wearer's head, the second end **122** of the strip **118** may be releasably secured to a third fastener element of a releasable connection such as female snap fastener element **128**, which is provide on the rear portion of the hat, thus defining a loop which permits the hat to be attached to a belt when not in use.

Alternatively, the hat of **Fig. 7** may be folded in two and the first fastener element **124** (in this case, a male fastening element) attached to a fourth fastening element **132** (in this case, female) provided on the exterior front portion of the crown or brim portion **112**. This allows the hat **110** to be folded in two, forming a convenient
5 receptacle for containing a cell phone **138** or the like.

As in the embodiment of **Figs. 1-6**, the strip **118** is preferably at least about 1.25", or at least about 1.50", or at least about 1.75" inch, to enable it to form a loop with sufficient clearance to receive a belt of at least medium width. Furthermore, the strip should be form of sufficiently flexible material to enable it to be easily twisted
10 from a generally circumferential orientation allowing the second end of the strip **118** to be secured to the second connection element **126** to a generally radial orientation allowing the second end of the strip to be secured to the third fastener element **128**.

Turning now to **Fig. 9A** and **9B**, an alternative example of a flat cap is depicted. In this case, the attachment assembly is substantially similar to that shown on **Fig. 7**.
15 However, fastener elements 134a and 134b (in this case female snap fastener elements) are present along the lower rear edge of the crown of the hat, and configured to be removably joined to complementary fastener elements 136a and 136b on the outer brim portion of the hat. In this way, the hat can be folded over as shown in **Fig. 9A**, with the send end **124** of the strip **118** joined to female fastener element **132** to create a loop
20 for fastening the folded hat to a waist belt. The additional fastener elements help create a more secure pouch or pocket in which items may be carried while the hat is folded.

Fig. 10 shows a "bucket"-style cloth hat of the present invention, showing an exemplary attachment assembly. In this example, the attachment assembly comprises three cloth strips **118**, with each strip having a first end **120** and second end **124** attached
25 to the brim portion **114** thereof.

Fig. 11 shows the bucket-style hat of **Fig. 10** attached to a waist belt **36** with the attachment assembly comprising strips **118**.

Fig. 12 shows a “bucket”-style cloth hat of the present invention, showing an exemplary attachment assembly. In this example, the attachment assembly comprises three strips **118**, with each strip disposed between a pair of closely spaced-apart slits **119**. In this example, the user may secure the cap to the belt by inserting the free end of the belt into one of the slits **119**, passing it under the strip **118**, and then pulling it out through the other slit **119** before buckling or otherwise fastening the belt.

Fig. 13 shows a way in which the hat of **Fig. 12** may be attached to a waist belt **136** and folded before buckling or otherwise fastening the belt. The belt through each slit **119** and under each strip **118**.

In this manner, when the belt **136** is cinched up and fastened, for example, as shown in **Fig. 14**, the hat is preferably carried in an inverted position, thereby providing a convenient pouch for keys, cell phone and other items.

Turning now to **Fig. 15**, a watch cap is depicted. In this example the watch cap comprises an attachment assembly having three strips **118**, each strip having a first end **120** and second end **124** attached to the crown portion **112** of the cap. This cap can be fastened to a belt as shown in **Fig. 16**; in this configuration, a pouch may be formed as shown to hold items to be carried while the hat is folded; the side of the watch cap that is not joined to the belt by the attachment assembly (in **Fig. 16**, the inner portion of the watch cap behind the belt) may be held closed against the body by cinching the waist belt sufficiently tightly to prevent items carried in the pouch from spilling therefrom. Alternatively, the inner lower sides of the watch cap may comprise fastening elements.

Although the hat shown, for example, in the exemplary embodiments of **Figs 1-6** is shown as a baseball-type cap, while the hat shown in other exemplary embodiments (such as **Figs. 7, 8, 9A** and **9B**, in which the hat is shown as a flat cap), the principles of the instant invention are not intended to be restricted to use with any particular style of hat, but can be applied with equal effectiveness to a wide variety of hats, including bucket hats, newsboy hats, fisherman hats, and the like.

In **Fig. 17** a straw fedora-type hat is shown, with an attachment assembly comprising a single strip **118** having a first end **120** and second end **124** sewn under the brim of the hat.

In **Fig. 18** a baseball cap-type hat **201** is shown having an attachment assembly **203** comprising a cord **205** comprising a length of doubled polymeric braided fiber. However, in other examples the cord may be made of any suitable material include a fabric, fibrous material, or a metal. A top end of the cord is sewn to an attachment point (see **Fig. 19**) on the outside posterior portion **207** of the crown of the hat. The cord extends downward from this attachment point and extends through a loop of fabric **209** having two ends sewn to the outside surface of the hat. The doubled bottom end of the cord **211** terminates in an alligator-type clamp fastener **213**, for fastening to e.g., an article of clothing. The fastener comprises a hole **215** through which a keychain ring **217** is secured; a single braid of the cord **219** is also looped through the keychain ring.

Fig. 19 is another view of the hat of **Fig. 18** showing the attachment point **221** for the top end of the cord on the outside posterior portion **207** of the crown of the hat. This view also shows a close up view of the loop of fabric **209** having two ends sewn to the outside surface of the hat, and the bottom end of the cord **211**, the keychain ring **217** and the alligator-type clamp fastener **213**. **Fig. 20** shows another baseball-type hat comprising an attachment assembly **301** comprising a cord **303** comprising a polymeric strap having a polymeric sliding side-release buckle assembly **305**. One end of the polymeric buckle assembly **305** is attached to an posterior portion of the crown of the hat **307** by a fabric loop **309** having ends attached to the crown of the hat. The other end of the polymeric buckle assembly is attached to each of two magnet assemblies **311** secured to the ends of two elastic ligatures **313**. The magnet assemblies are structured to permit opposite poles to align. Alternatively, the magnetic materials may comprise a magnet and a magnetically attractive substance, such as iron.

As better shown in **Fig. 21**, the two elastic ligatures **313** are each connected to the polymeric buckle assembly through each of two fabric loops **315** sewn as part of a

short length of the polymeric strap **317**. Those of skill in the art recognize that the ligatures **313** need not be elastic in every example of the invention and may be joined by a single attachment point (rather than by multiple attachment points, as here) to the length of polymeric strap. Similarly, the attachment of the buckle may be accomplished
5 by any suitable method and shall remain within the scope of this invention.

The other end of the polymeric strap **317** of this example is joined to a male portion **319** of the polymeric sliding side-release buckle assembly **305**. This male portion **319** of the sliding side-release buckle assembly fits largely within, and connects to a corresponding female portion (**321**; **Fig 20**) of, the polymeric sliding side-release
10 buckle assembly (not shown) which remains attached to the hat.

This arrangement permits the polymeric strap **317** of the attachment assembly shown in **Figs. 19** and **20** to be detached from the hat during normal wear and stored in a pocket, purse or other carrier, leaving the hat with with only one fastener attached. Of course, those of ordinary skill in the art recognize that any other suitable type of
15 fasteners may be used.

Fig. 22 is a view showing the interior portion of a soft tweed newsboy-type hat, **401**. One or more first magnetically attractive materials (such as magnets) **403** are placed in the lining of the crown of the hat toward the posterior bottom portion thereof, and one or more additional magnetically attractive materials (such as magnets) **405** are
20 placed in the brim of the hat in such a way as to align with and be attracted to the additional magnetically attractive material(s) **403** in the lining of the bottom crown of the hat when folded over additional magnetically attractive material(s) in the brim **405** as shown in **Fig. 23**, thereby magnetically securing and holding closed the folded hat.

Also as shown in **Fig. 23**, an attachment assembly, in this case comprising a
25 sewn loop of fabric **407**, is located on the posterior crown of the hat so that the secured, folded hat may be worn on an article of clothing, such as a belt. The cavity within the interior crown of the hat may be used to store small items such a writing implements, mobile telephones, keys and the like.

Fig. 24 depicts an inverted view of a Panama-style hat with an attachment assembly comprising two pairs of loops located on the underside of the hat brim; a first pair of loops **501** attached at the left and right sides of the brim, and a second pair of loops **503** attached to the anterior and posterior of the underside of the hat brim.

5 Each loop comprises a length of material joined (e.g. sewn) to the underside of the hat brim. As shown, the loops of each pair of loops are aligned to be parallel to each other. In this version, both loops of each pair of loops are oriented at a 90° angle to the other pair; however, in other examples, all the loops may be oriented in a parallel arrangement.

10 **Fig. 25** shows the same view of the Panama-style hat shown in **Fig. 24**, with a waist belt **505** inserted through one of the two pairs of loops. In this way, the hat may be worn on the belt when not being used, with the crown facing outwards from the body.

Fig. 26 is a view of a soft “safari”-style hat having a female snap fastener on the
15 brim **603** and a male snap fastener on the crown **607** thereof to permit the brim to be folded against a side of the crown when worn, if desired. Those of skill in the art recognize that the choice of which location to place the male snap fastener and the female snap fastener is merely a matter of personal choice.

An attachment assembly comprises a fastener (in this case, alligator-type clip
20 **603**) affixed to the brim of the hat. Additionally, a strap **601** preferably comprising a length of an elastic material is shown also affixed to the brim of the hat for folding the hat, as shown in **Figs. 27-29**. The strap **601** comprises a male snap fastener at or proximal to the distal end thereof (not shown).

Fig. 27 is a close-up view of the brim of the hat shown in **Fig 26**, showing the
25 alligator-type clip **603** and strap **601**, as well as a female snap fastener **609** matched to fit the male snap fastener of the strap **601**, with the length and placement of the strap and fastener **609** calibrated to retain the hat together securely when in a folded

configuration.

Fig. 28 depicts the hat of **Figs. 26** and **27**, folded in half.

Fig. 29 depicts the hat of **Figs. 26-28** folded in quarters, with the distal end of the strap **601** fastened to fastener **609** (not shown) to hold the folded hat in the folded
5 state. When affixed to a belt, waistband or other article of clothing in an inverted orientation using clip fastener (see **Fig. 27**, reference numeral **603**) the inside of the crown of the hat forms a pouch for holding keys, wallets, loose change, mobile telephones and/or other small personal items.

As indicated previously, features such as, without limitation, fabrics, fastener
10 types, and the like described or otherwise disclosed in this specification in connection with certain types of hats, cords and the like altered while remaining within the scope of this invention. Various modifications could be made in the types of fasteners used, the materials used, and so forth, without departing from the spirit of the invention. The appended claims are therefore intended to cover and embrace any such modifications
15 within the limits only of the true spirit and scope of the invention.

CLAIMS

- 1) A securable hat comprising:
 - a crown portion for covering a wearer's head, the crown portion including an interior side for engaging the head and an exterior side for facing away from the head;
 - a brim portion extending outwardly from a lower edge of the crown portion, the brim portion including an interior side and an exterior side; and
 - an attachment assembly for detachably securing the hat in an exterior-side out configuration to an article of clothing.

- 2) The securable hat of claim 1 wherein the attachment assembly is configured to secure the hat to a belt worn on the wearer's waist, the attachment assembly comprising at least one strip of flexible material having first and second ends attached to the exterior side of the crown portion of the hat;
 - wherein the strip has a length sufficient to extend transversely over a waist belt of at least medium width.

- 3) The securable hat according to claim 2, wherein the first end of the strip is permanently secured to the exterior side of the crown portion of the hat.

- 4) The securable hat according to claim 2, wherein:
 - the hat and the strip are formed of fabric; and
 - the first end of the strip is sewn to the crown portion of the hat.

- 5) The securable hat according to claim 2, wherein the attachment assembly further comprises:
 - a first fastener element of a releasable connection mounted on the second end of the strip; and
 - a second fastener element of a releasable connection mounted on the crown portion of the hat;wherein said first fastener element and second fastener element are configured to

releasably engage one another to detachably secure the second end of the strip to the crown of the hat; and
wherein the strip and a portion of the crown underlying the strip cooperate to define a loop.

- 6) The securable hat according to claim 21, wherein the strip is at least about 1.75 inches long.
- 7) The securable hat according to claim 2, wherein the at least one strip comprises at least two closely spaced-apart strips.
- 8) The securable hat according to claim 7, where the two strips are spaced no more than about 4 inches from one another.
- 9) The securable hat according to claim 2, wherein:
 - the attachment assembly includes at least one pair of spaced-apart slits formed in the crown of the hat; and
 - the flexible strip comprises an integral portion of the crown disposed between the two slits.
- 10) The securable hat according to claim 5, wherein:
 - the hat is formed of sufficiently flexible material to enable to the hat to be folded across an axis; and
 - the attachment assembly further comprises at least one fastener member for maintaining the hat in a folded configuration when secured to the belt.
- 11) The securable hat according to claim 10, wherein the at least one fastener member comprises a third fastener element of a releasable connection mounted on the exterior side of the crown of the hat at a location approximately diametrically opposite the second fastener element of a releasable connection.

- 12) The securable hat according to claim 10, wherein the at least one fastener member comprises:
- at least one male member mounted on the crown of the hat; and
 - at least one female fastener located on the crown of the hat at a position approximately diametrically opposite the male fastener when the hat is unfolded, and configured to engage the male fastener element when the hat is folded.
- 13) The securable hat according to claim 12, wherein one of the male and female fastener elements is located on the exterior side of the crown and the other of the male and female fastener elements is located on the interior side of the crown.
- 14) The securable hat according to claim 2, wherein the strip extends in a generally radial direction relative to the top of the crown portion.
- 15) The securable hat according to claim 11, wherein:
- the second fastener element is located generally circumferentially of the first end of the strip;
 - the third fastener element is located generally radially of the first end of the strip; and
 - the strip is formed of sufficiently flexible material to allow the second end to be pivoted from a first orientation wherein the strip extends in a generally circumferential direction toward the second element to a second orientation wherein the strip extends in a generally radial direction toward the third fastener element.
- 16) The securable hat according to claim 1, wherein the crown and brim portions are unlined.
- 17) The securable hat of claim 1 wherein said attachment assembly comprises a snap fastener, a hook fastener, a magnetic fastener, a buckle, a button fastener, an alligator clip-type fastener, and/or a hook and loop VELCRO[®]-type fastener).

18) A method for retaining a hat on a person's body comprising fastening a hat comprising an attachment assembly in an exterior side-out configuration to a waist belt worn, or to be worn, by said person; said fastening step comprising a step selected from the group consisting of:

a) inserting an end of said waist belt through an attachment assembly comprising at least one strip of flexible material having a length sufficient to extend transversely over a waist belt of at least medium width, said strip having first and second ends joined to the exterior side of a crown portion of the hat, and

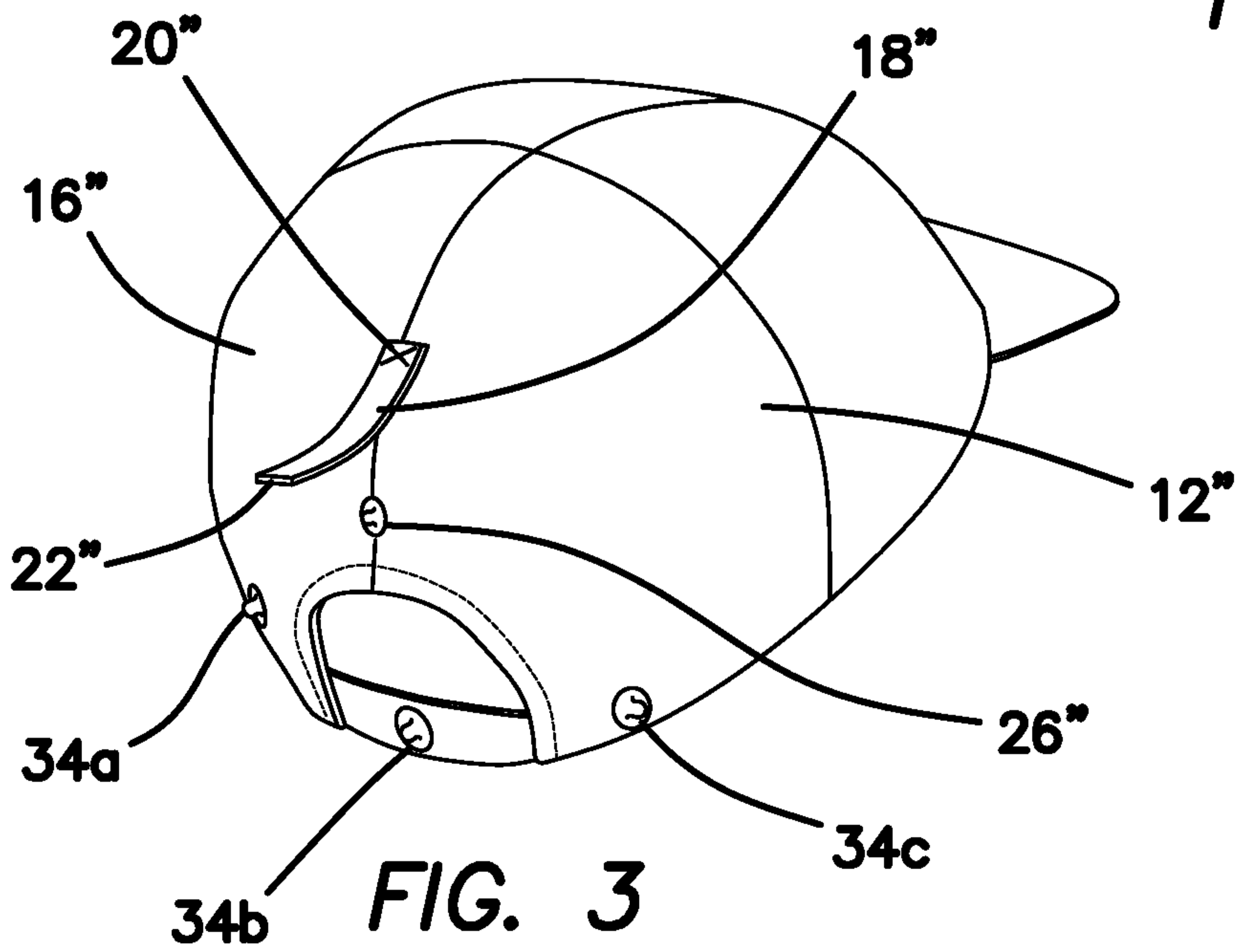
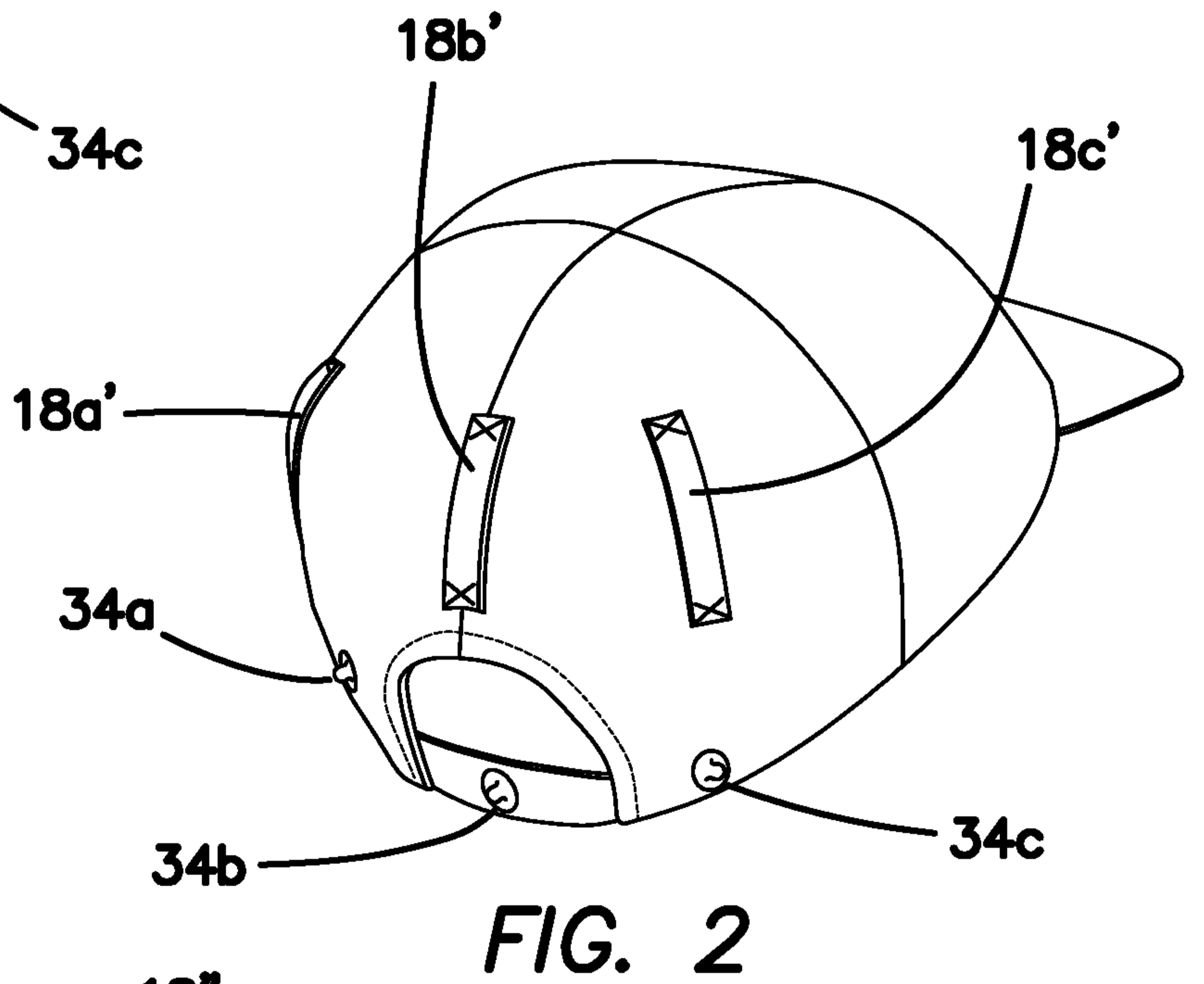
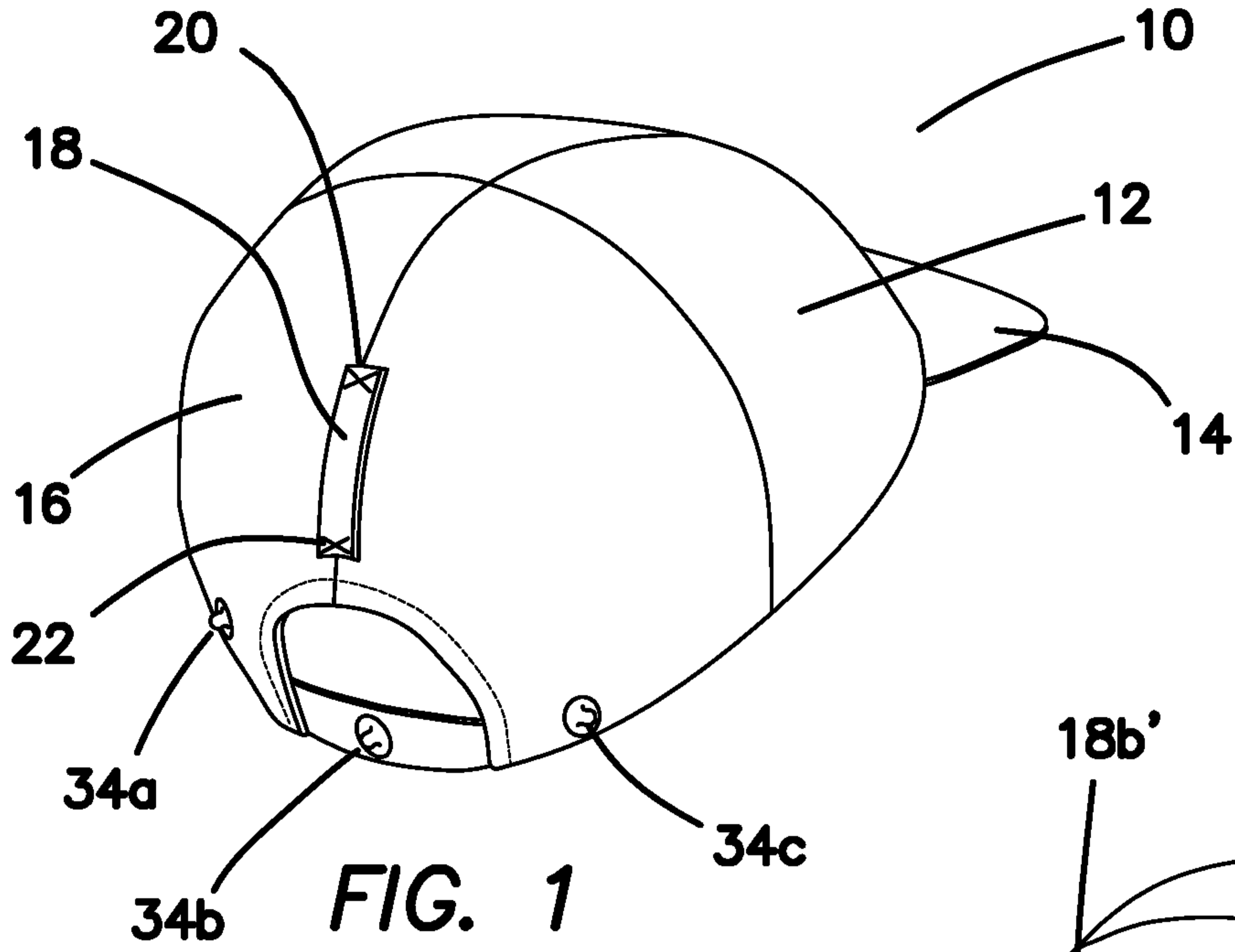
b) inserting an attachment assembly component around said waist belt, said attachment assembly component comprising a strip of flexible material having a first end including a first fastener element and a second end joined to a crown portion of said hat, and

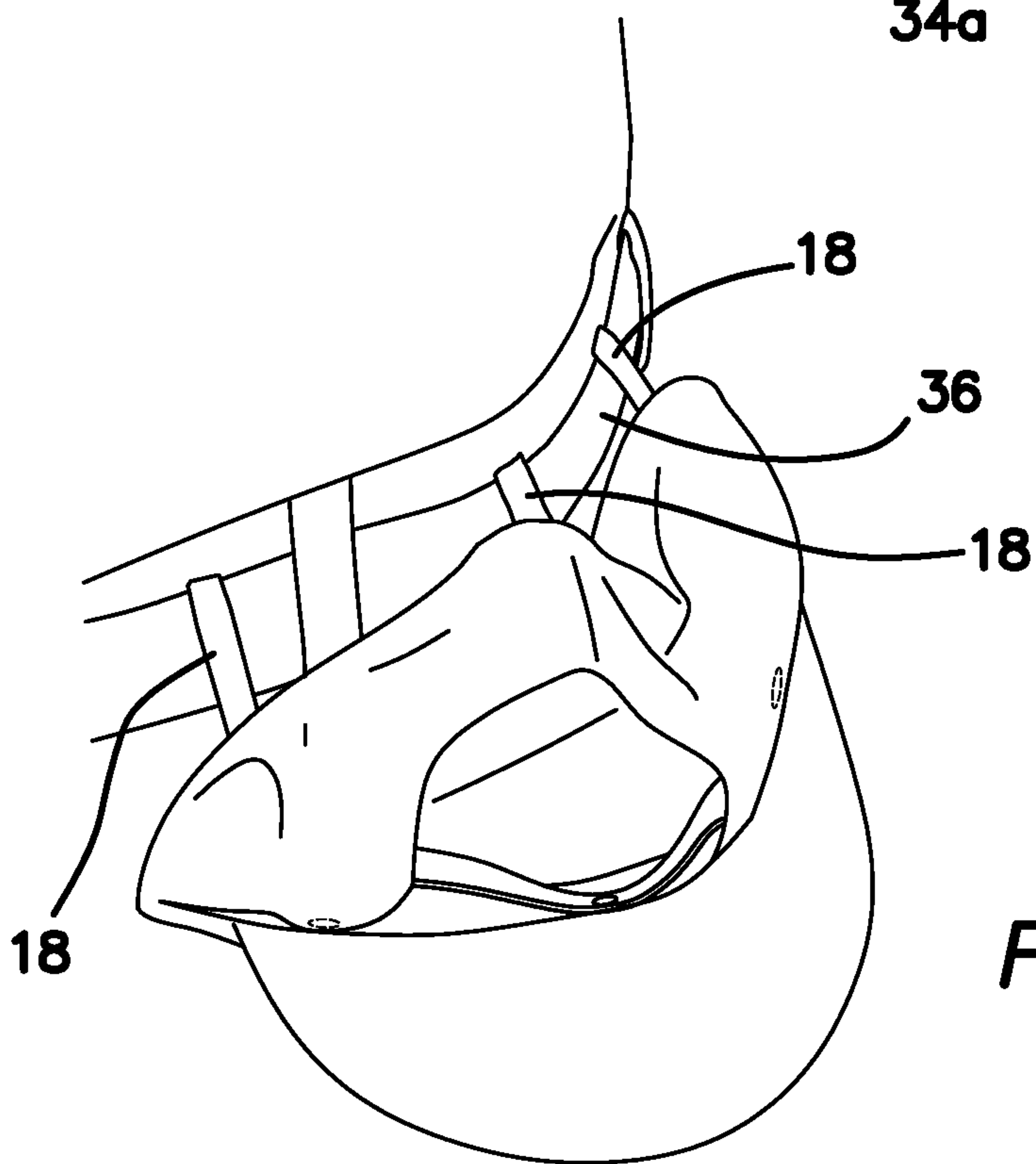
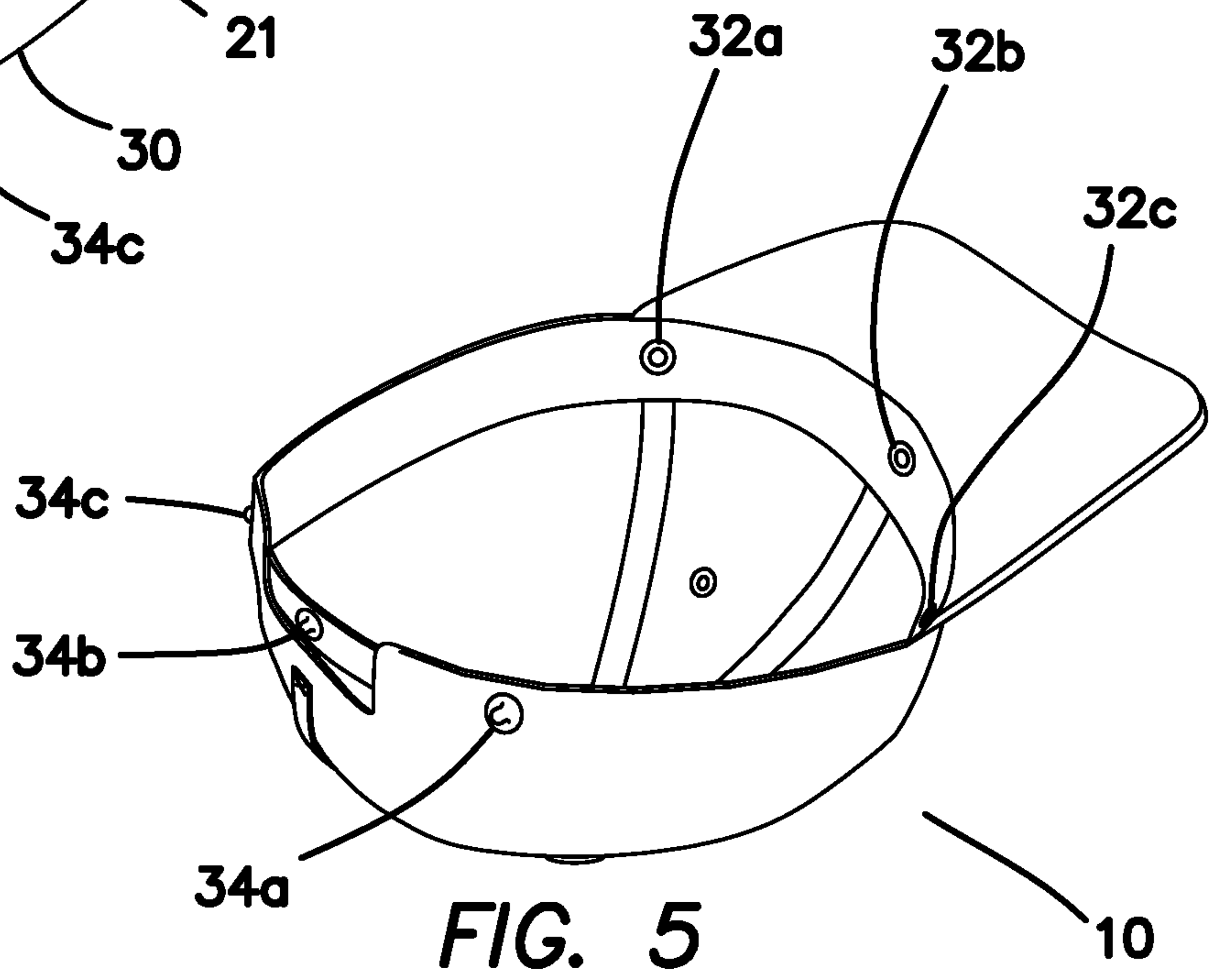
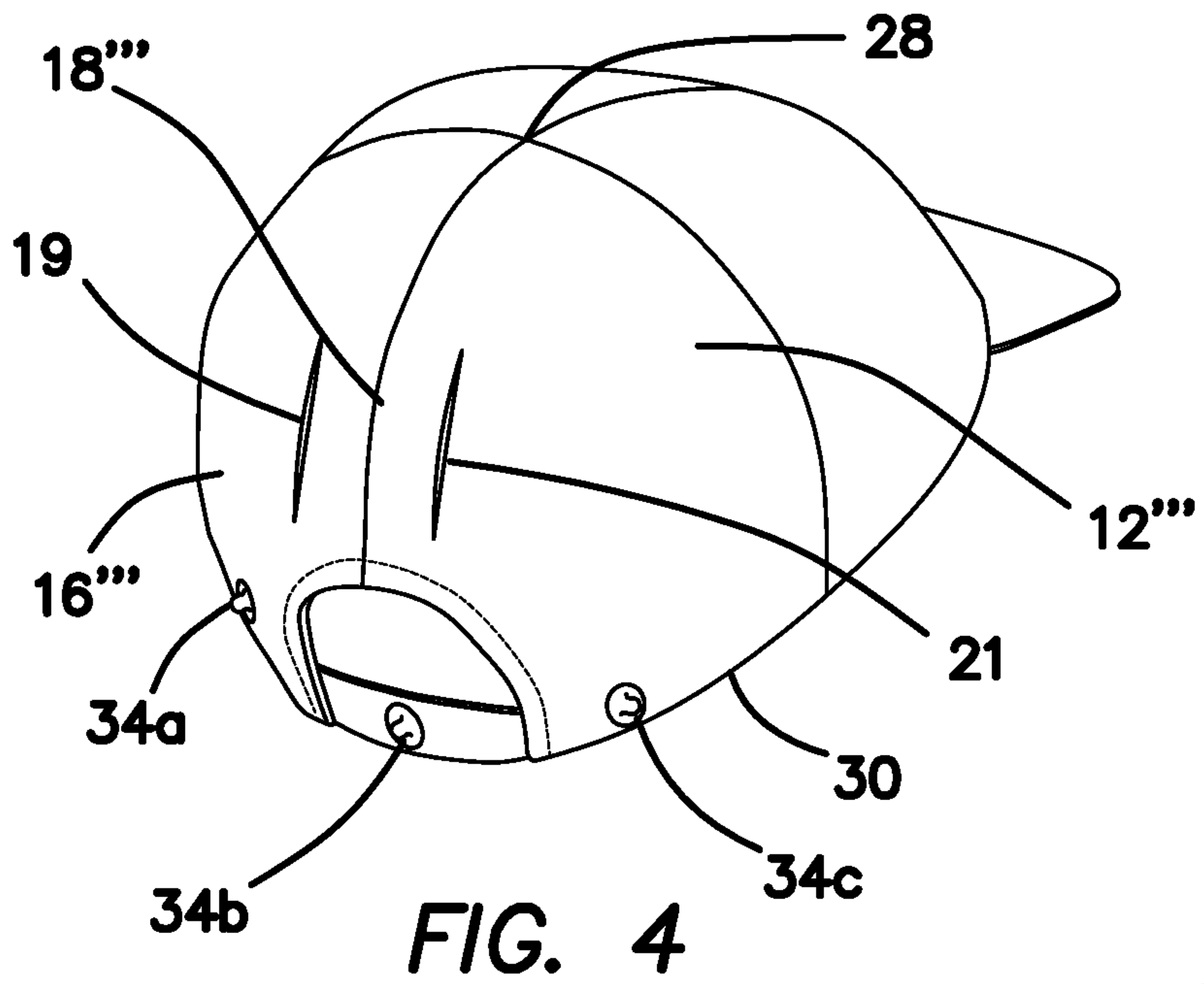
releasably securing the first fastener element of said first end to a second fastener element disposed on the crown portion of said hat;

wherein said hat is maintained in an exterior side-out configuration while being retained on the person's body.

19) An attachment assembly for securing a hat to an article of clothing comprising an attachment assembly including a cord having a first end and a second end, in which at least one of said first end and second end comprises a fastener element structured to secure said hat and at least one of said first and second end comprises a fastener element structured to secure said cord to an article of clothing; and wherein at least one fastener element is structured to be detachable from said hat or said article of clothing.

20. The attachment assembly of claim 19 in which said cord comprises leather, a polymer, cloth and/or a metal.





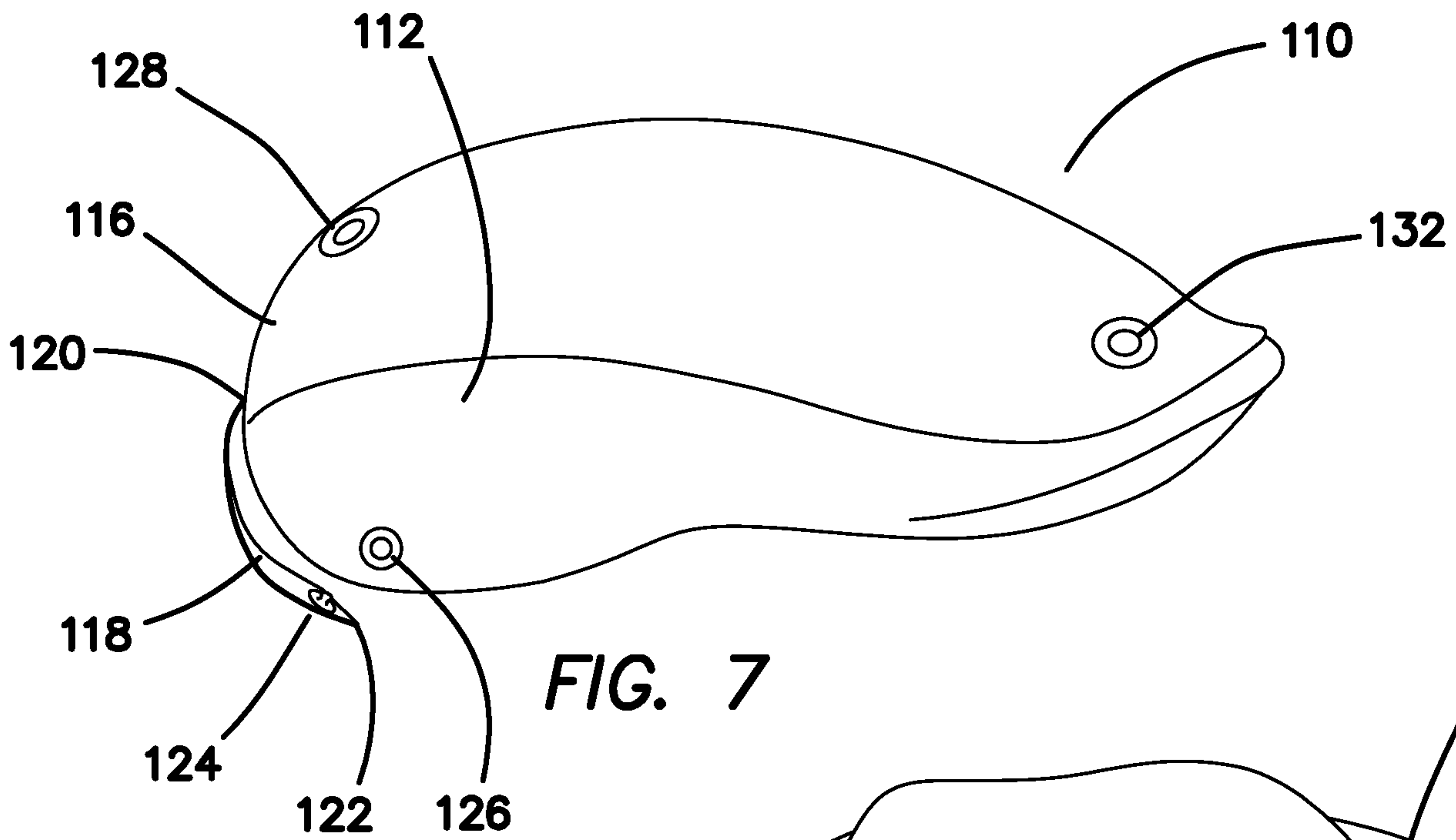


FIG. 7

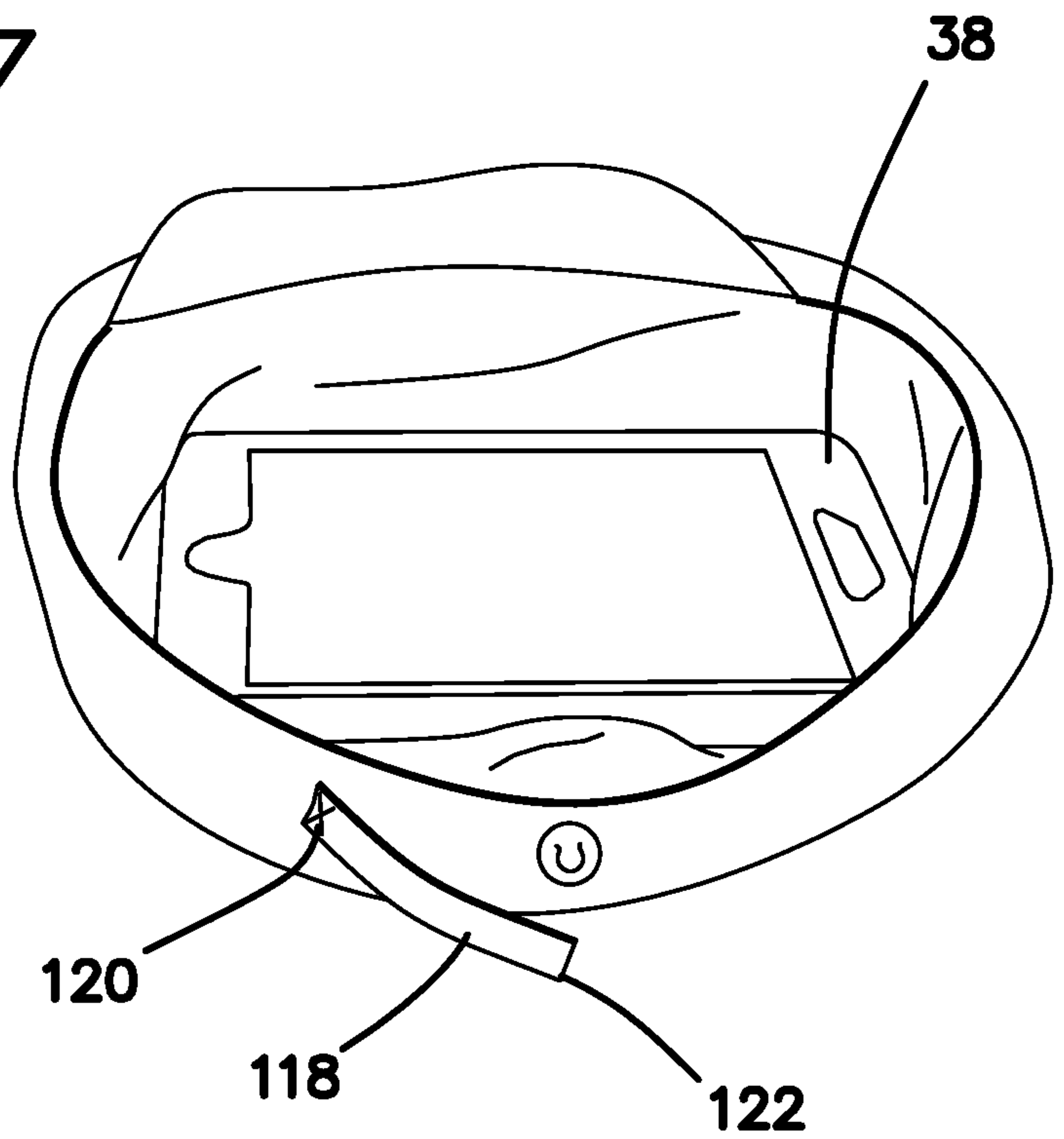


FIG. 8

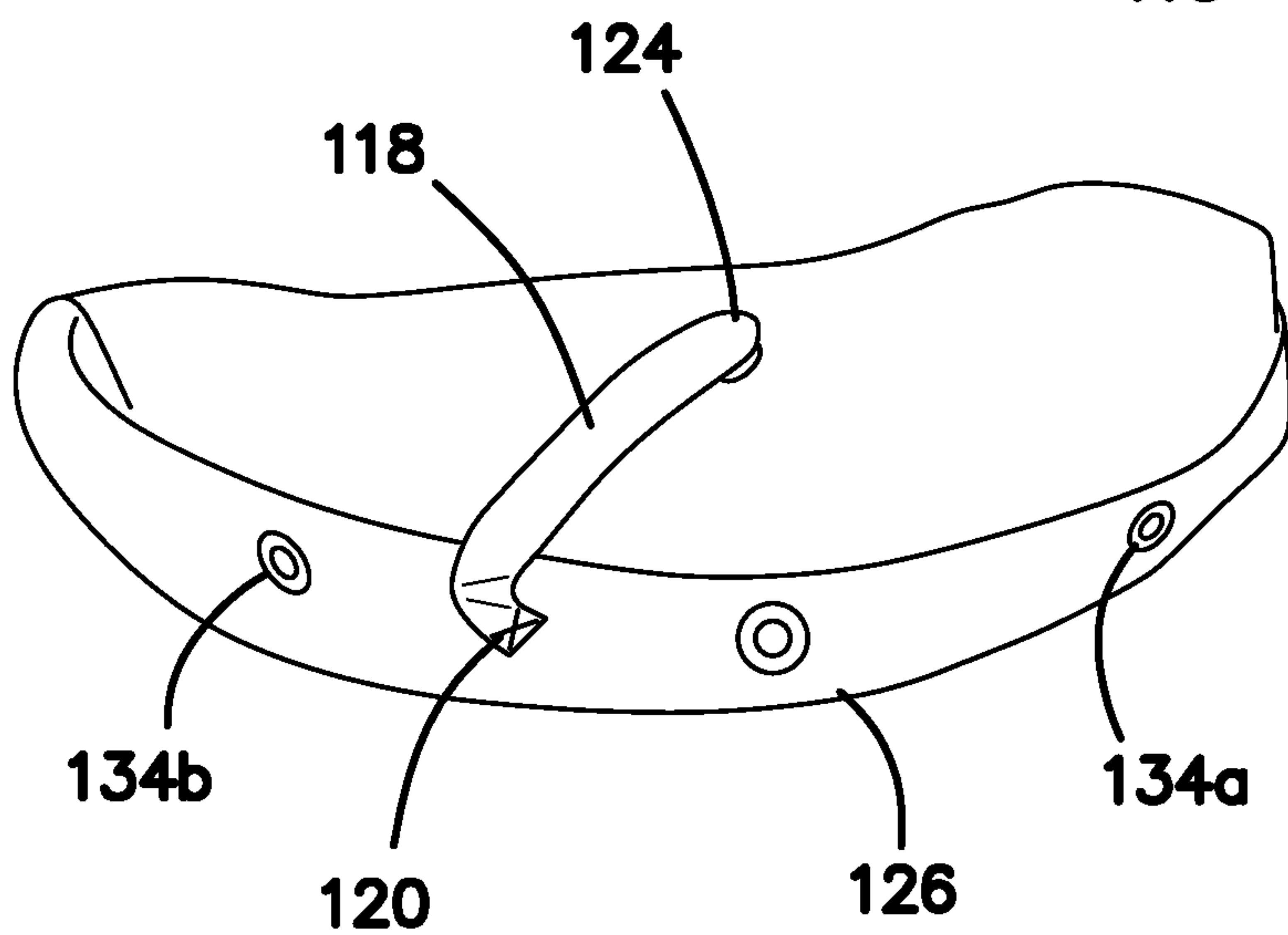
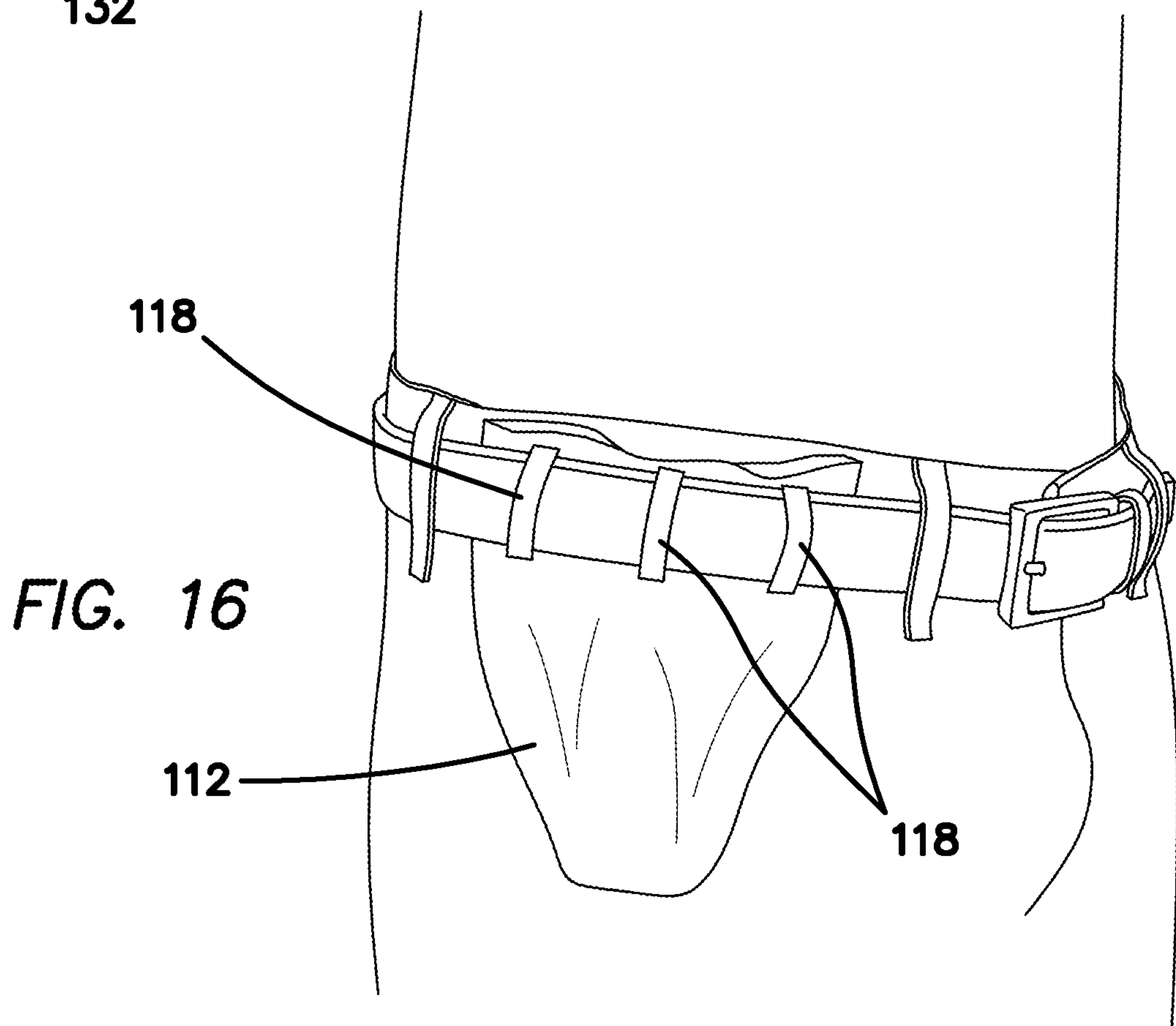
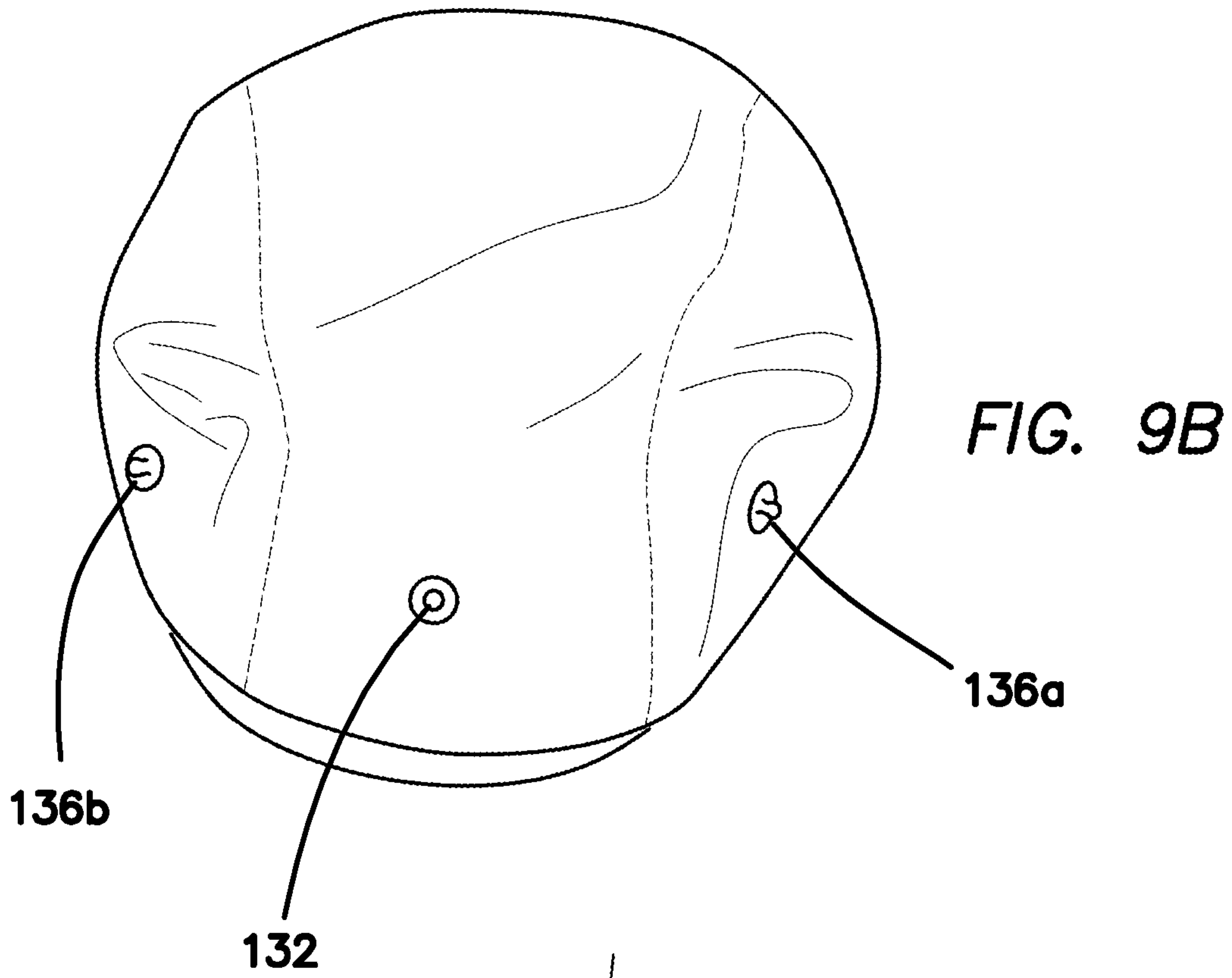


FIG. 9A



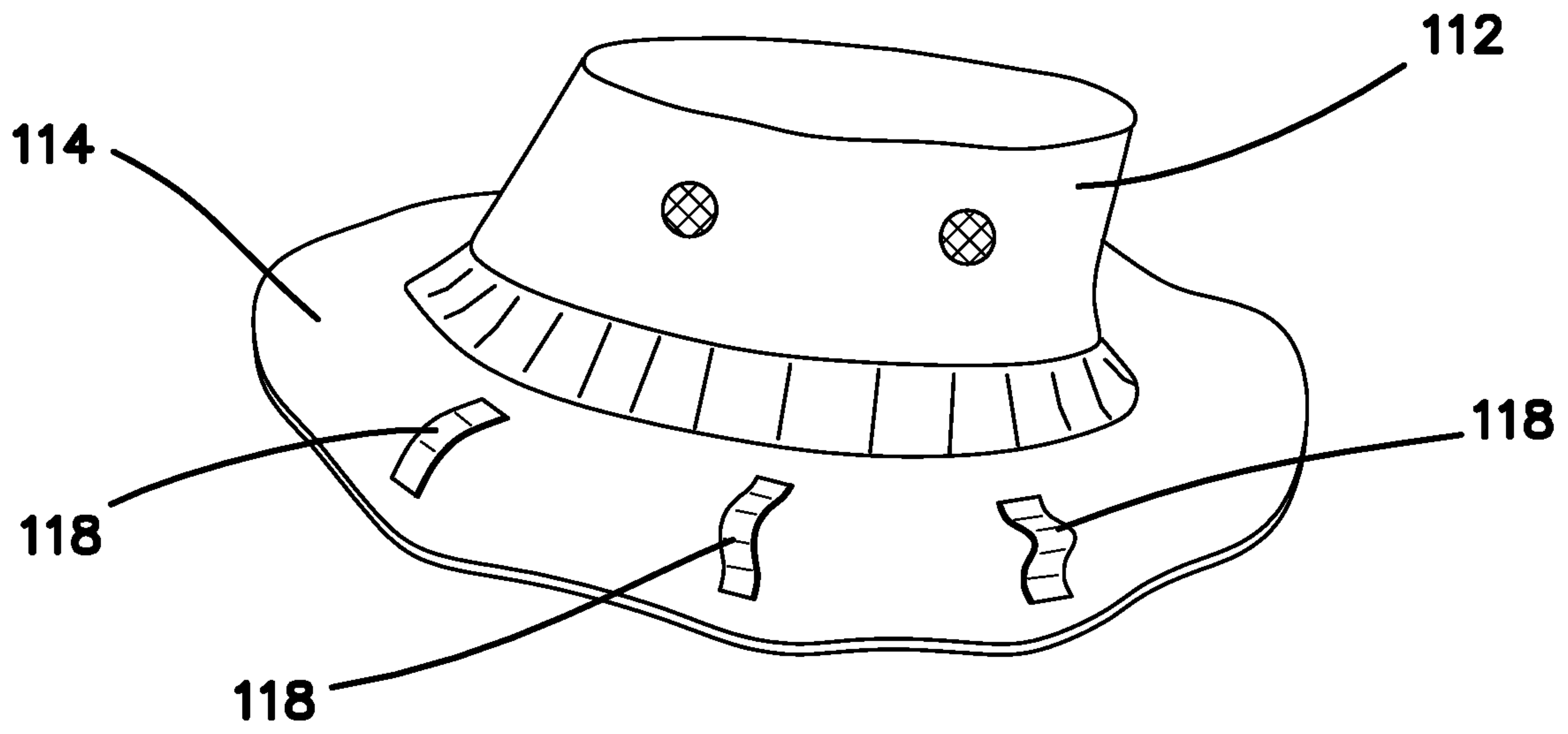


FIG. 10

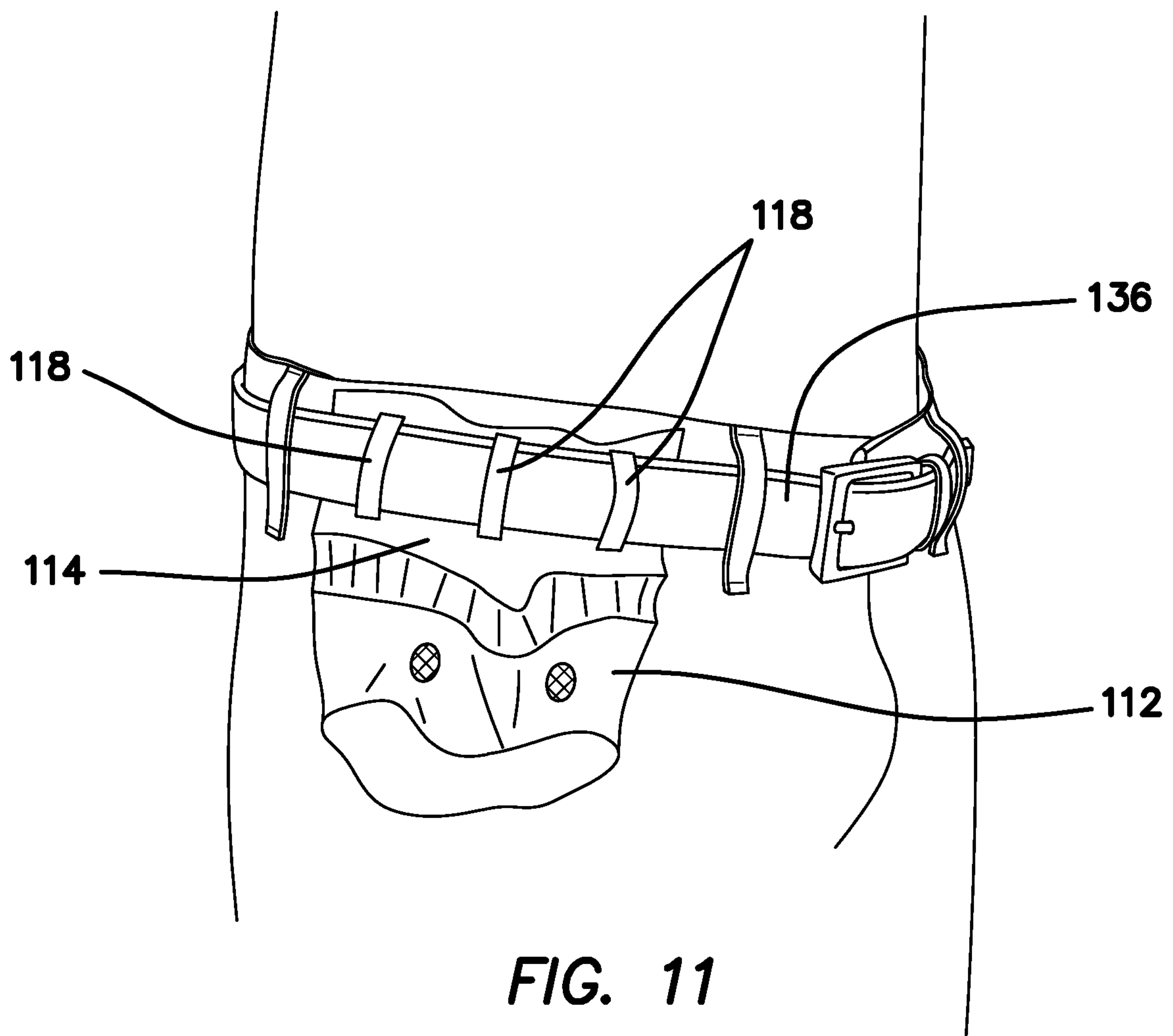
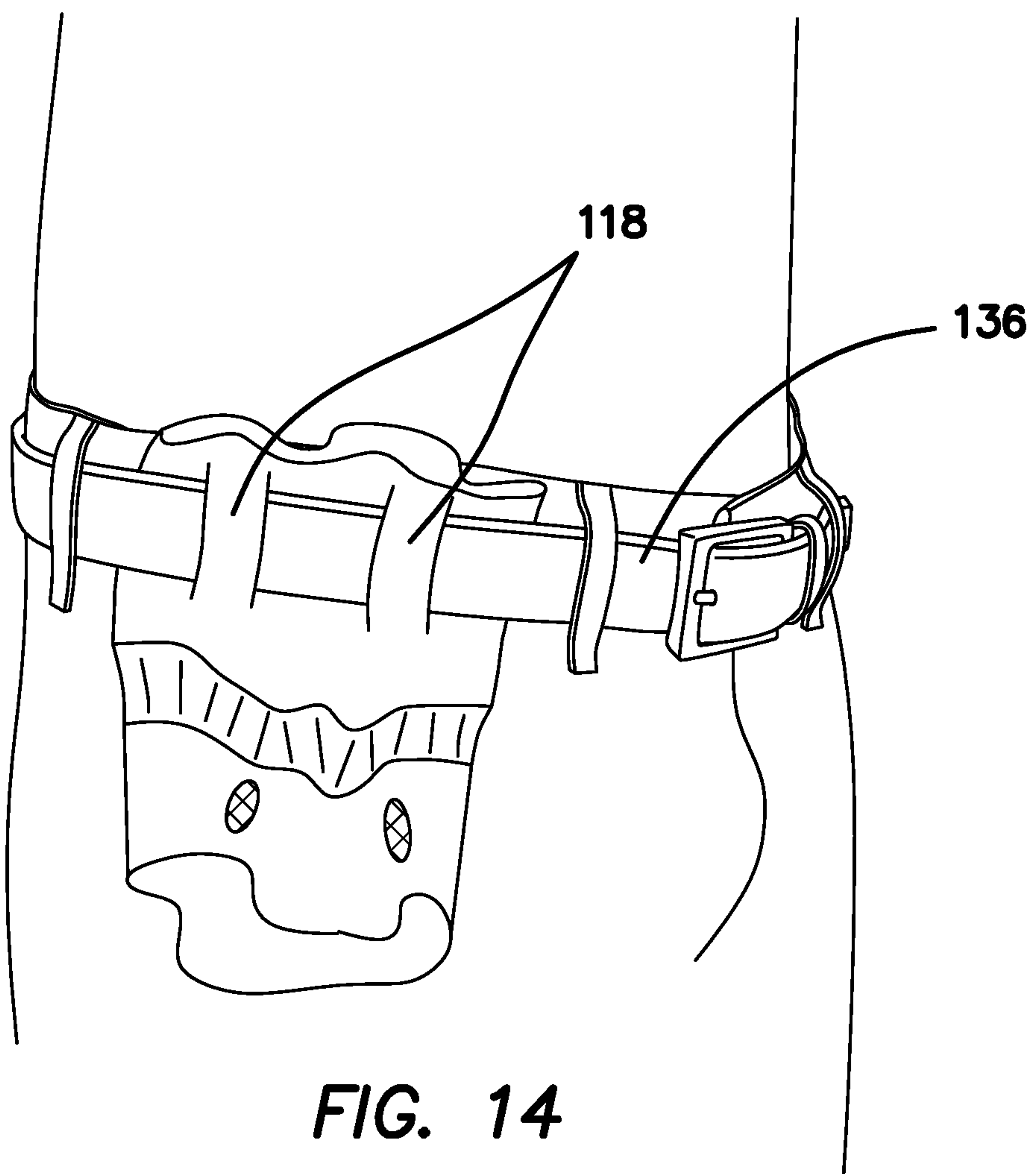
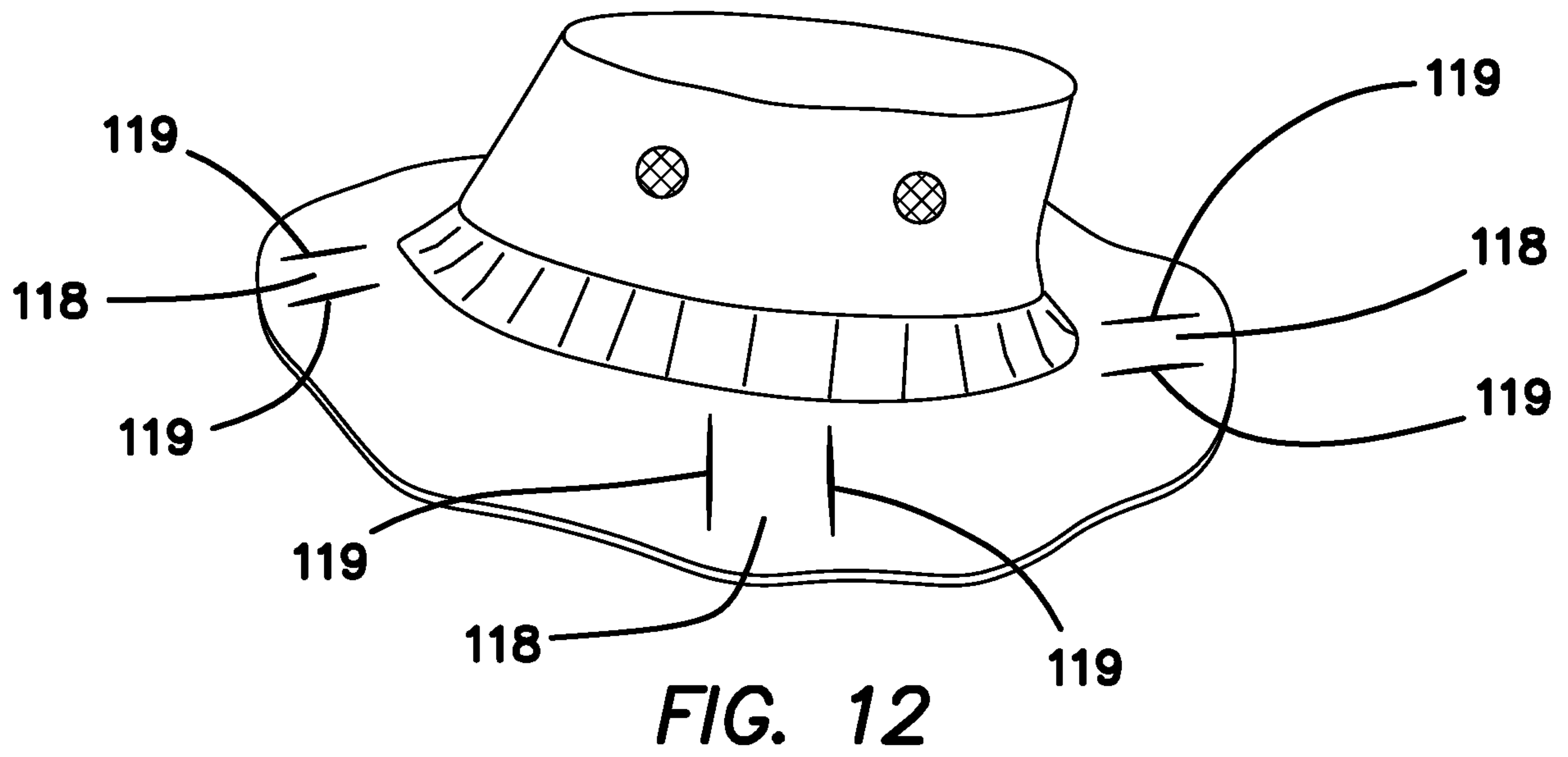


FIG. 11



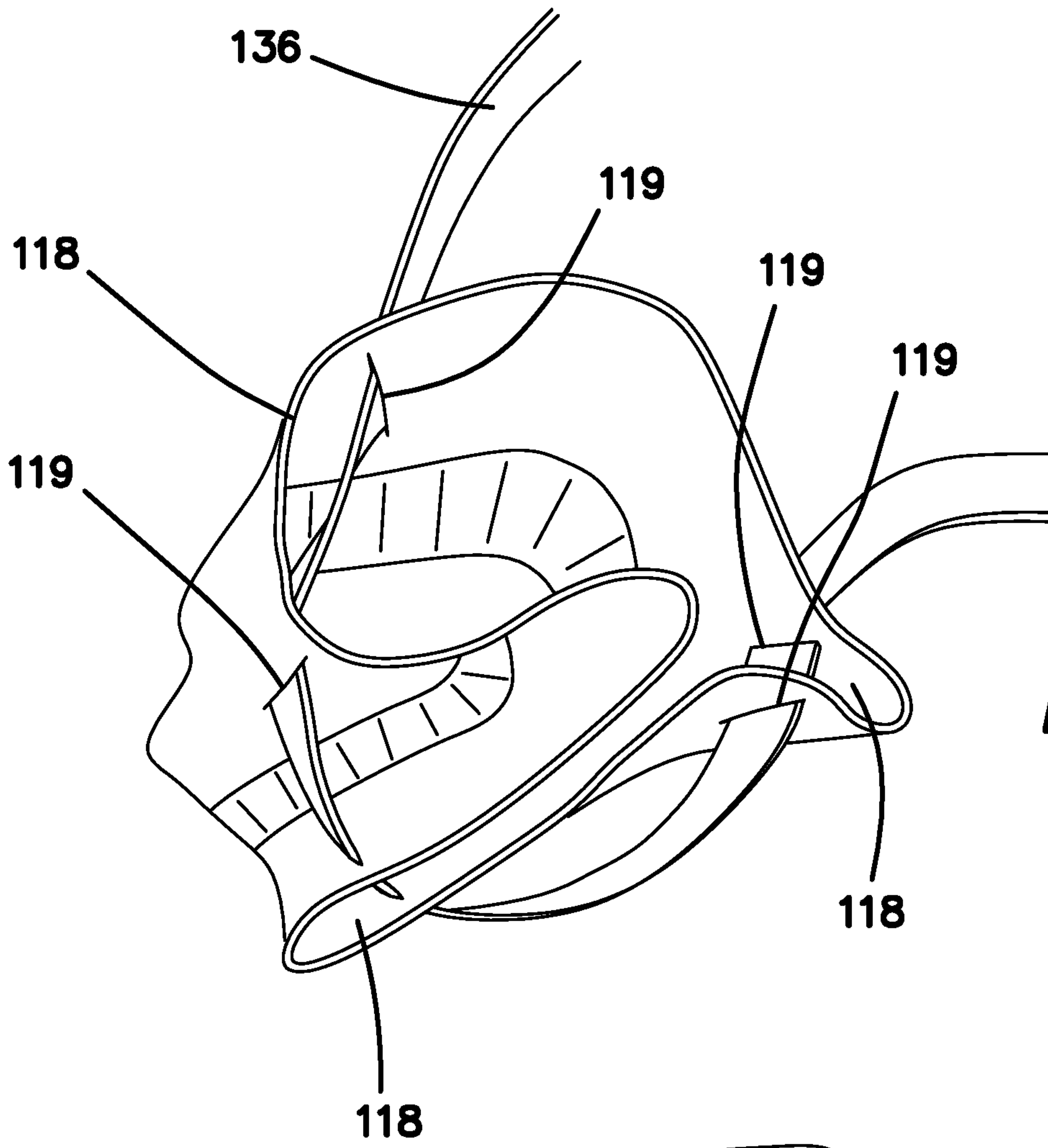


FIG. 13

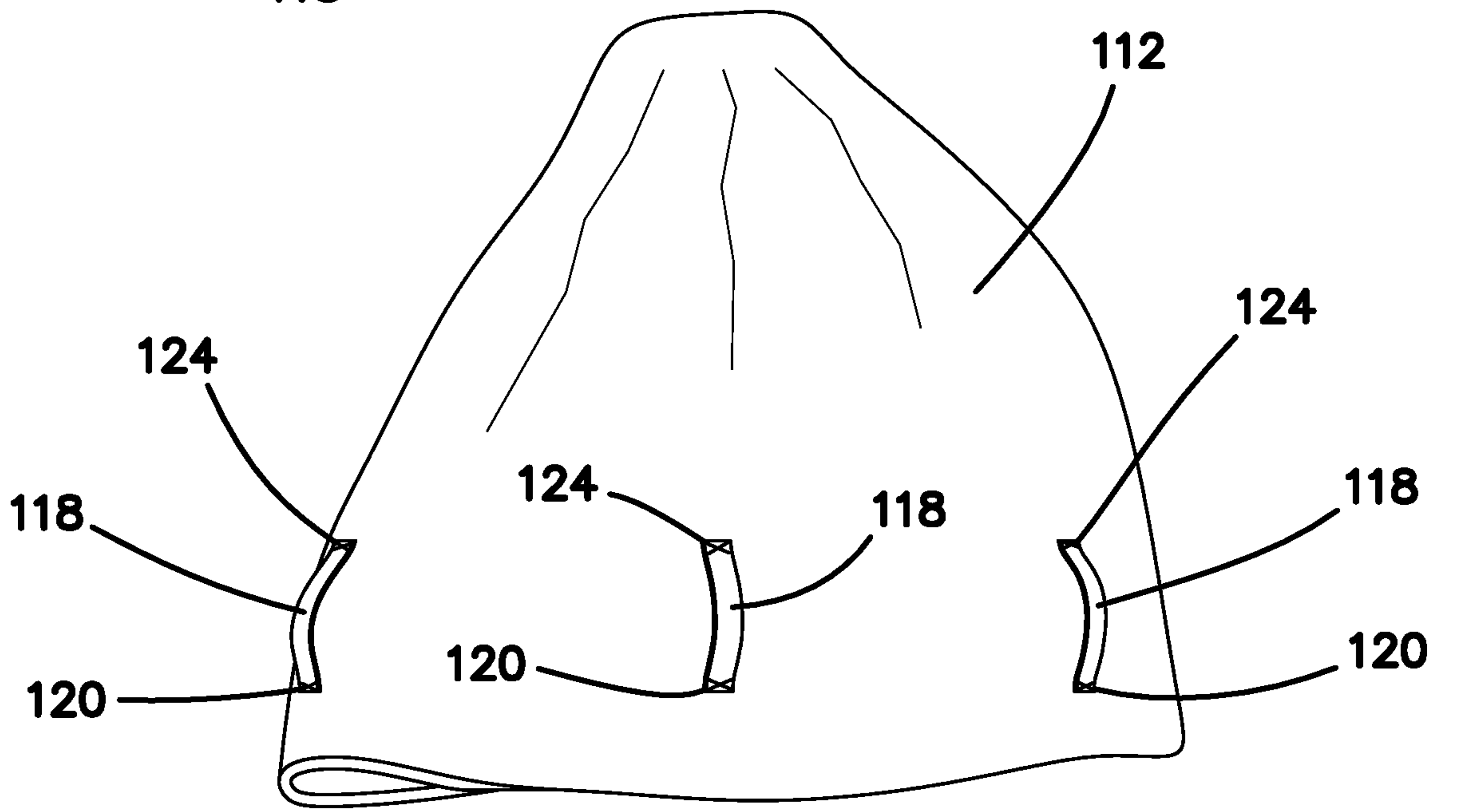


FIG. 15

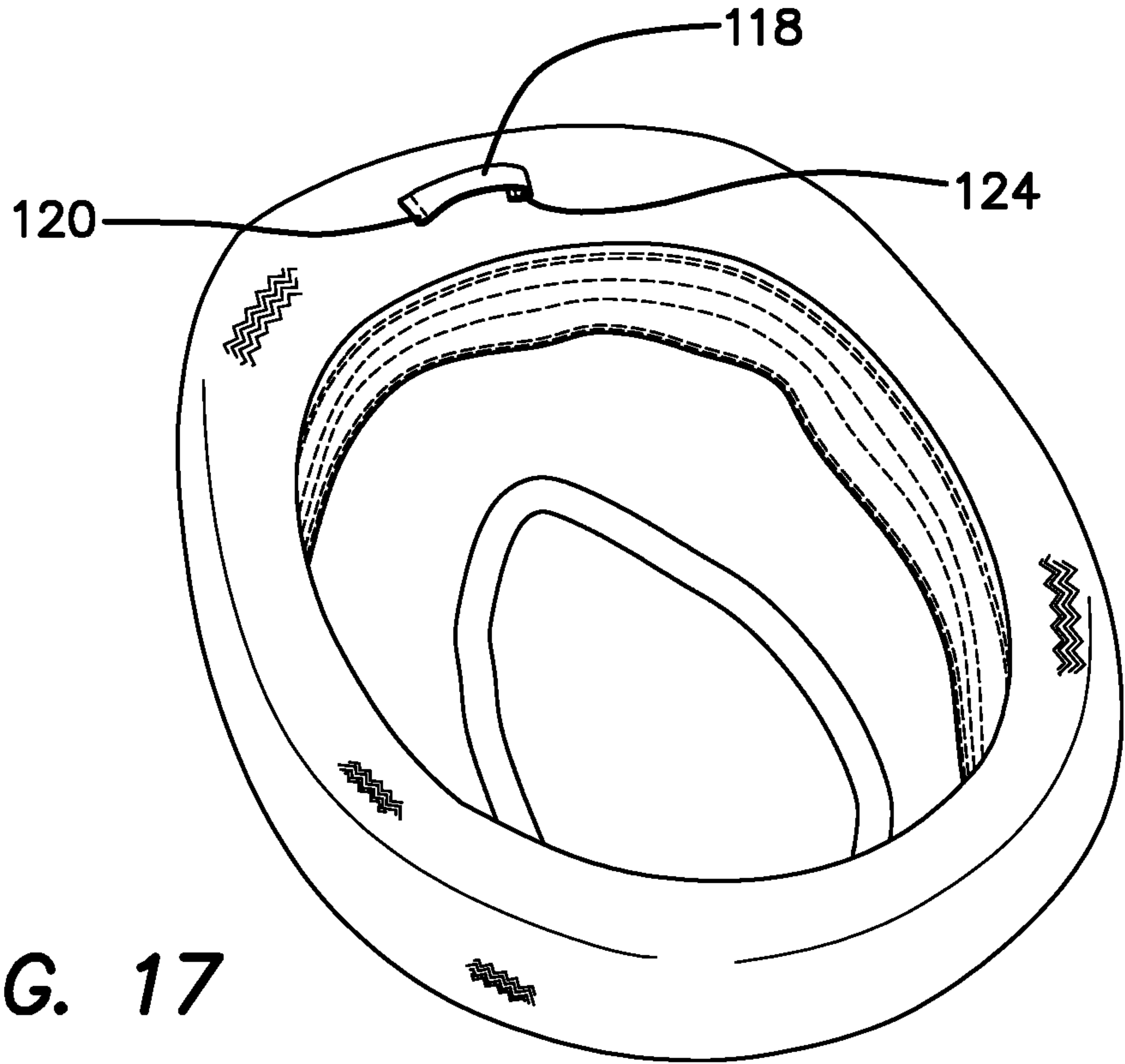


FIG. 17

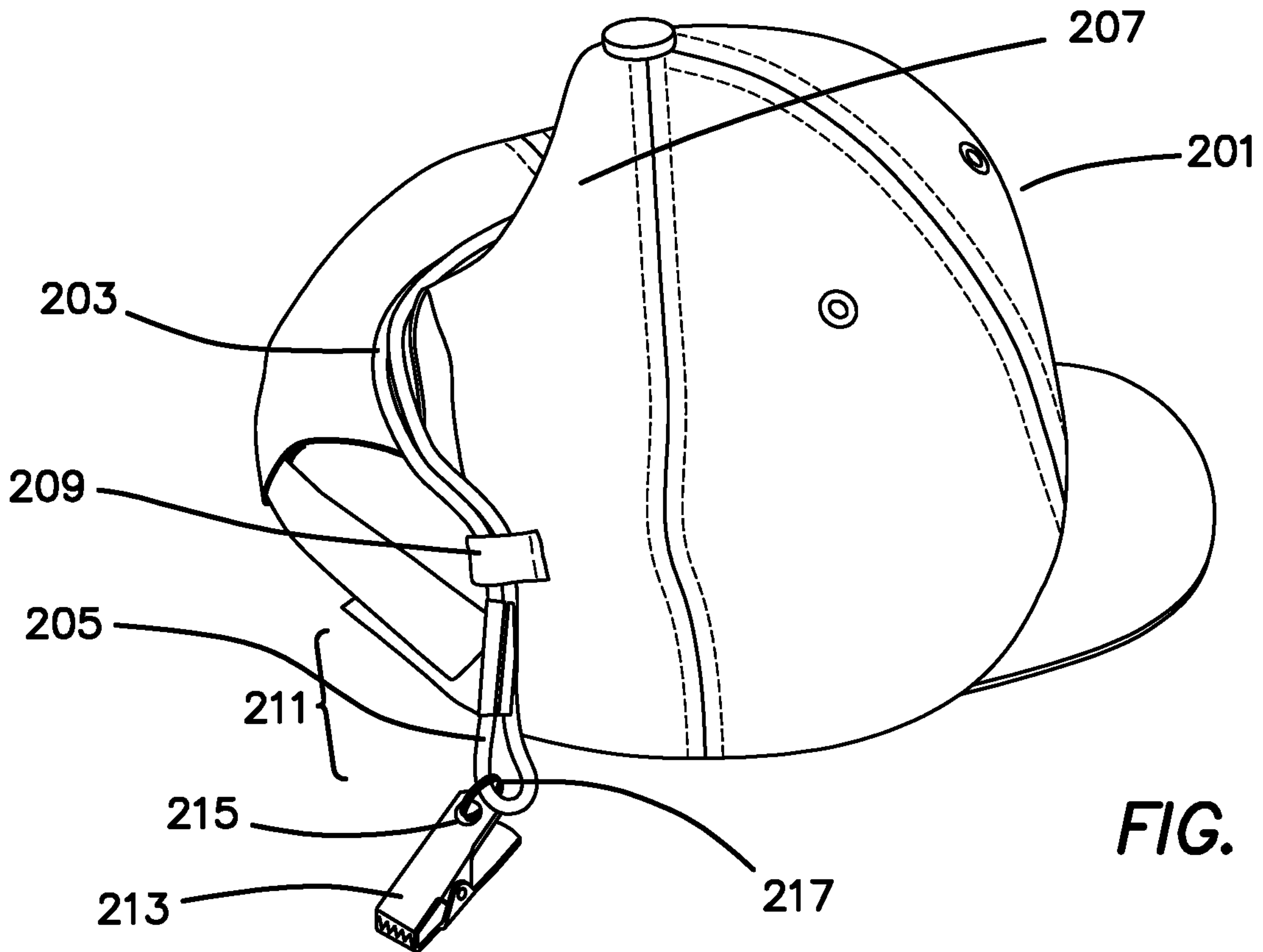


FIG. 18

FIG. 19

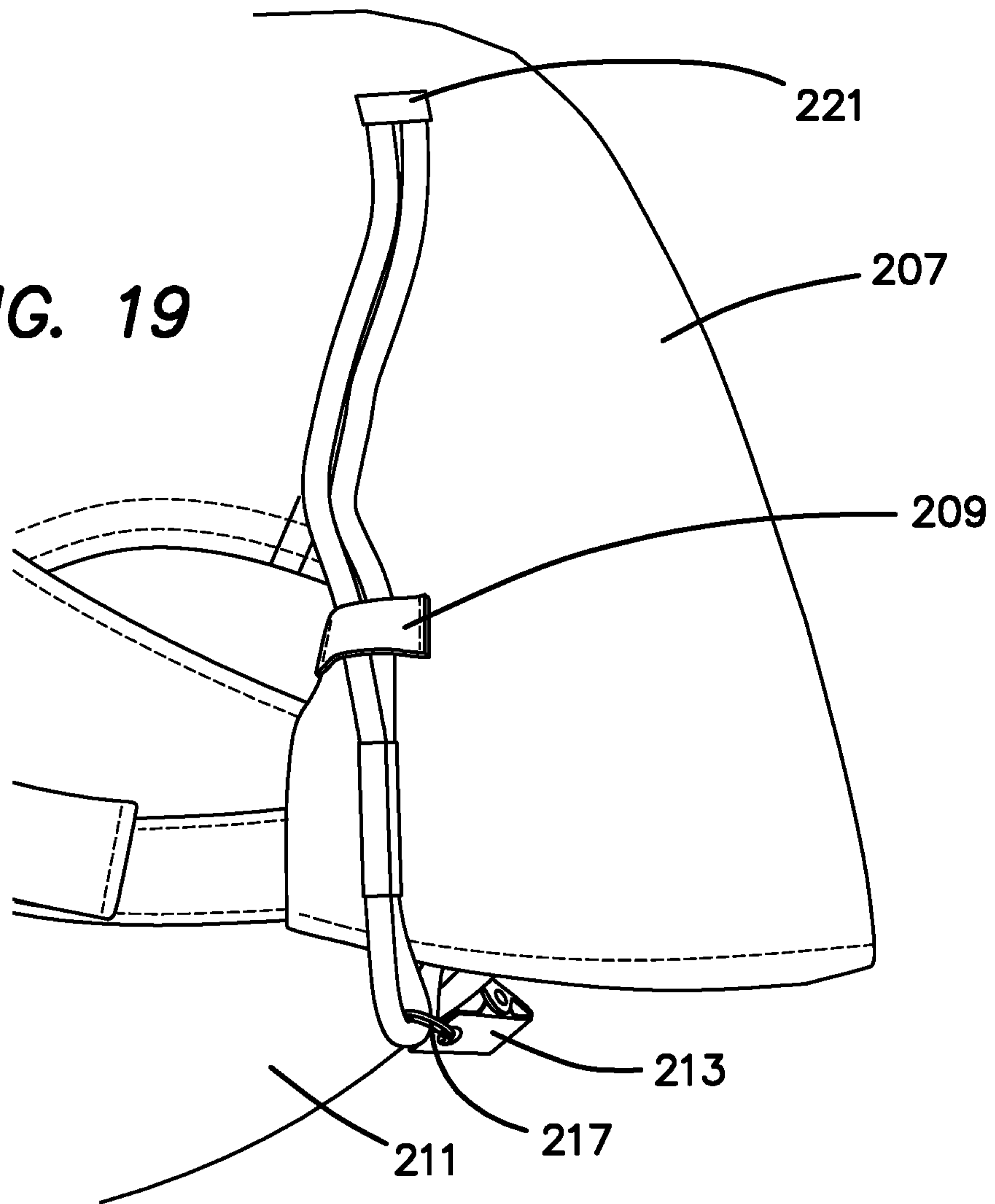
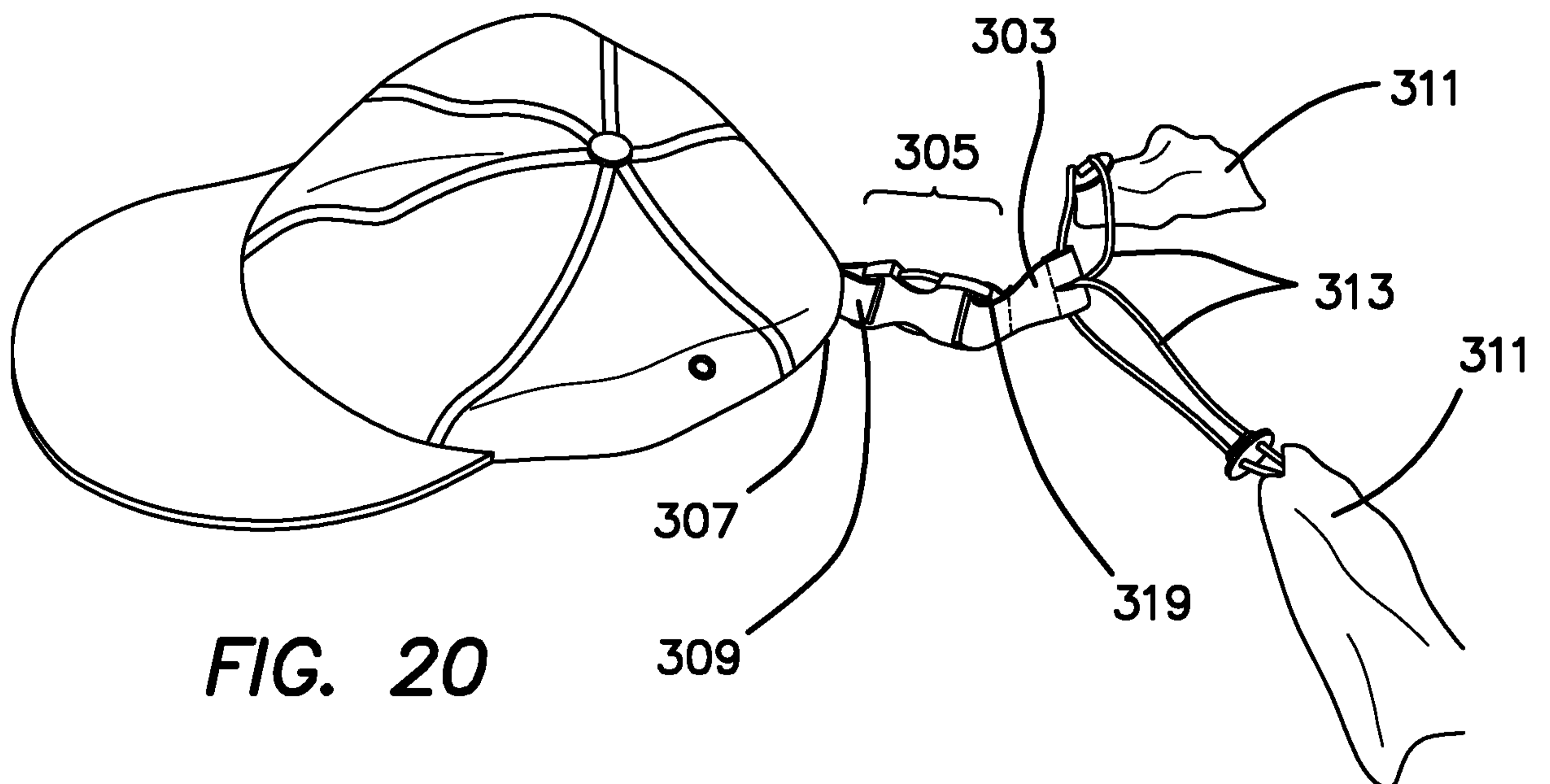


FIG. 20



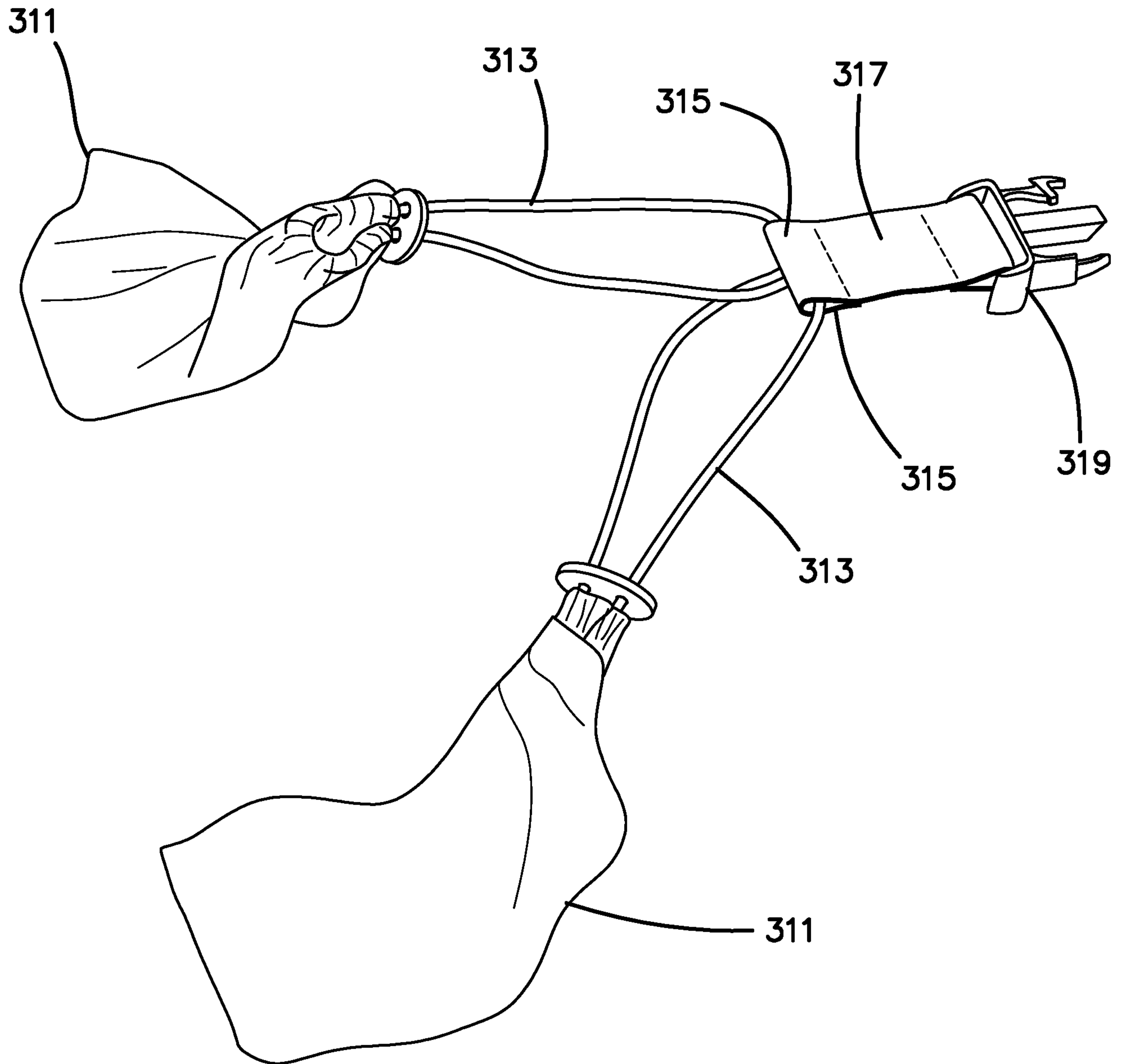


FIG. 21

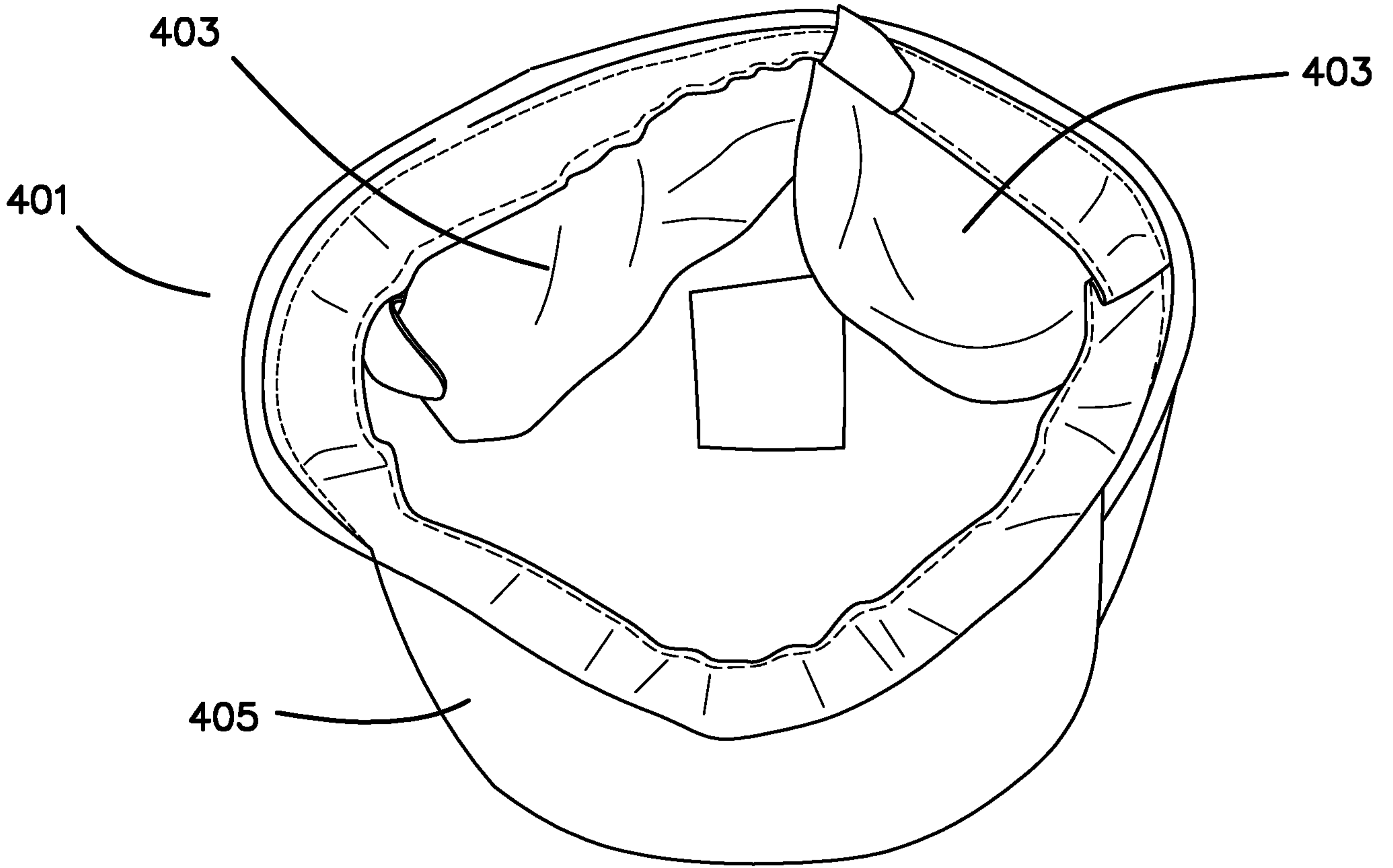


FIG. 22

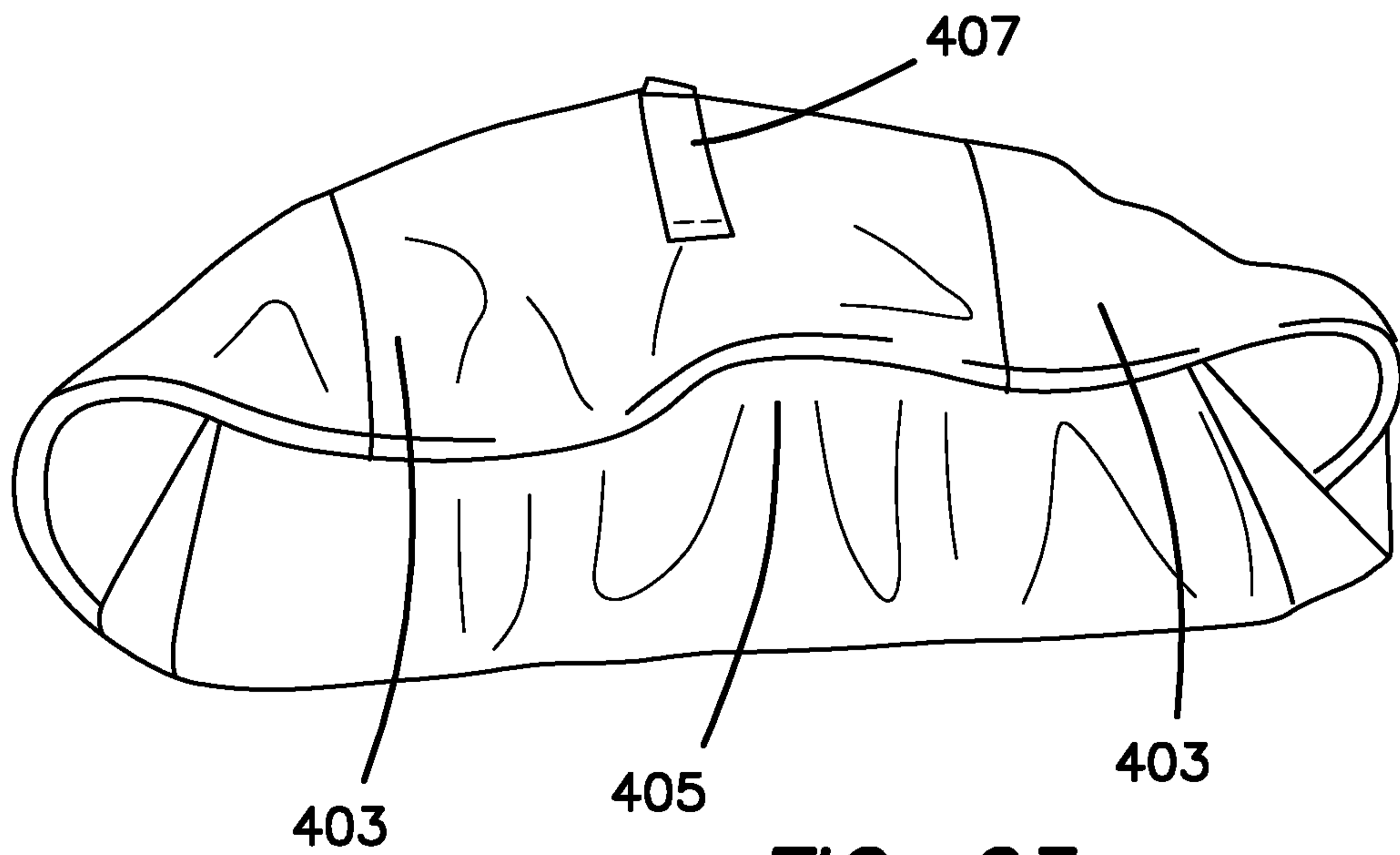
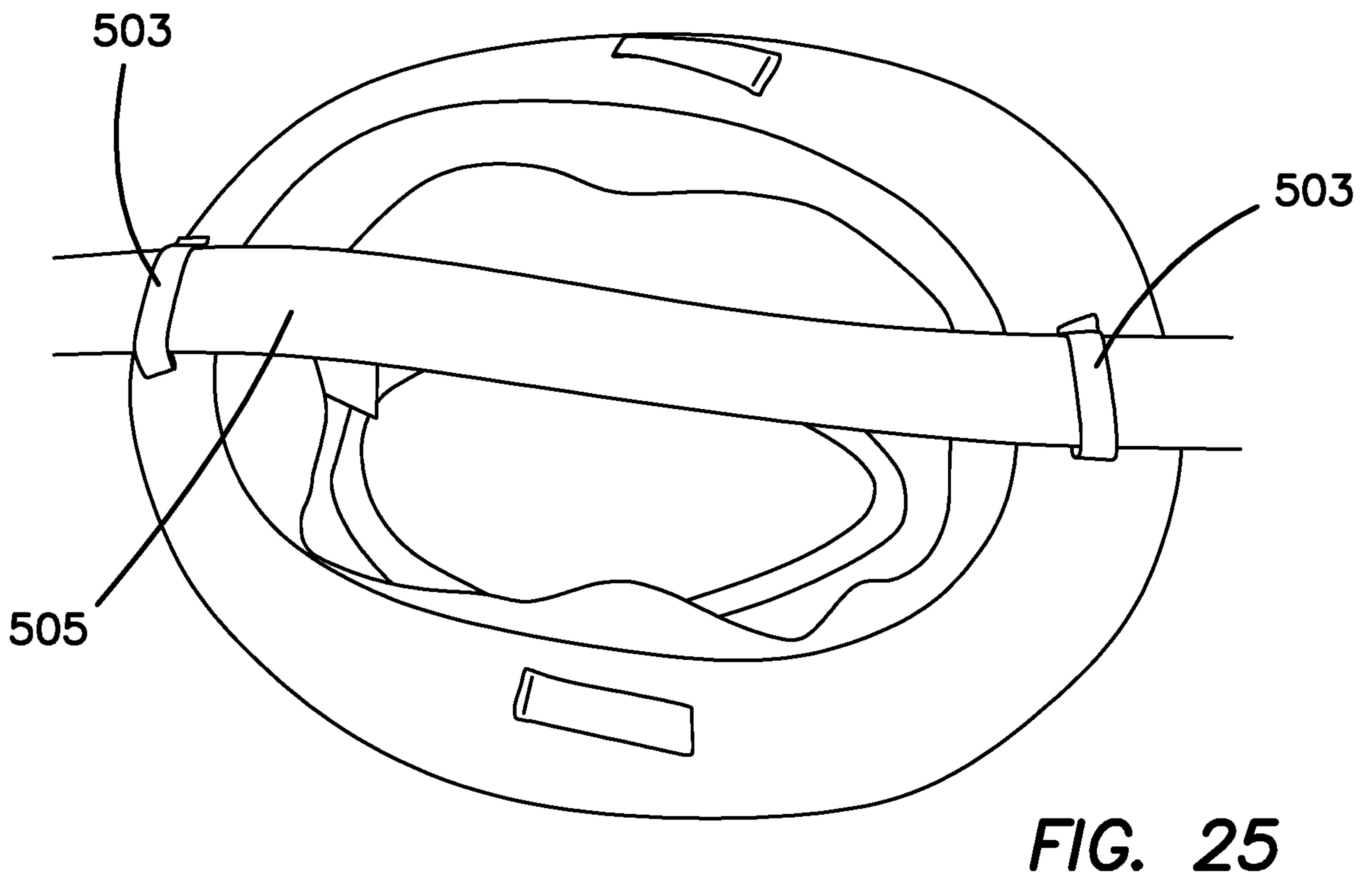
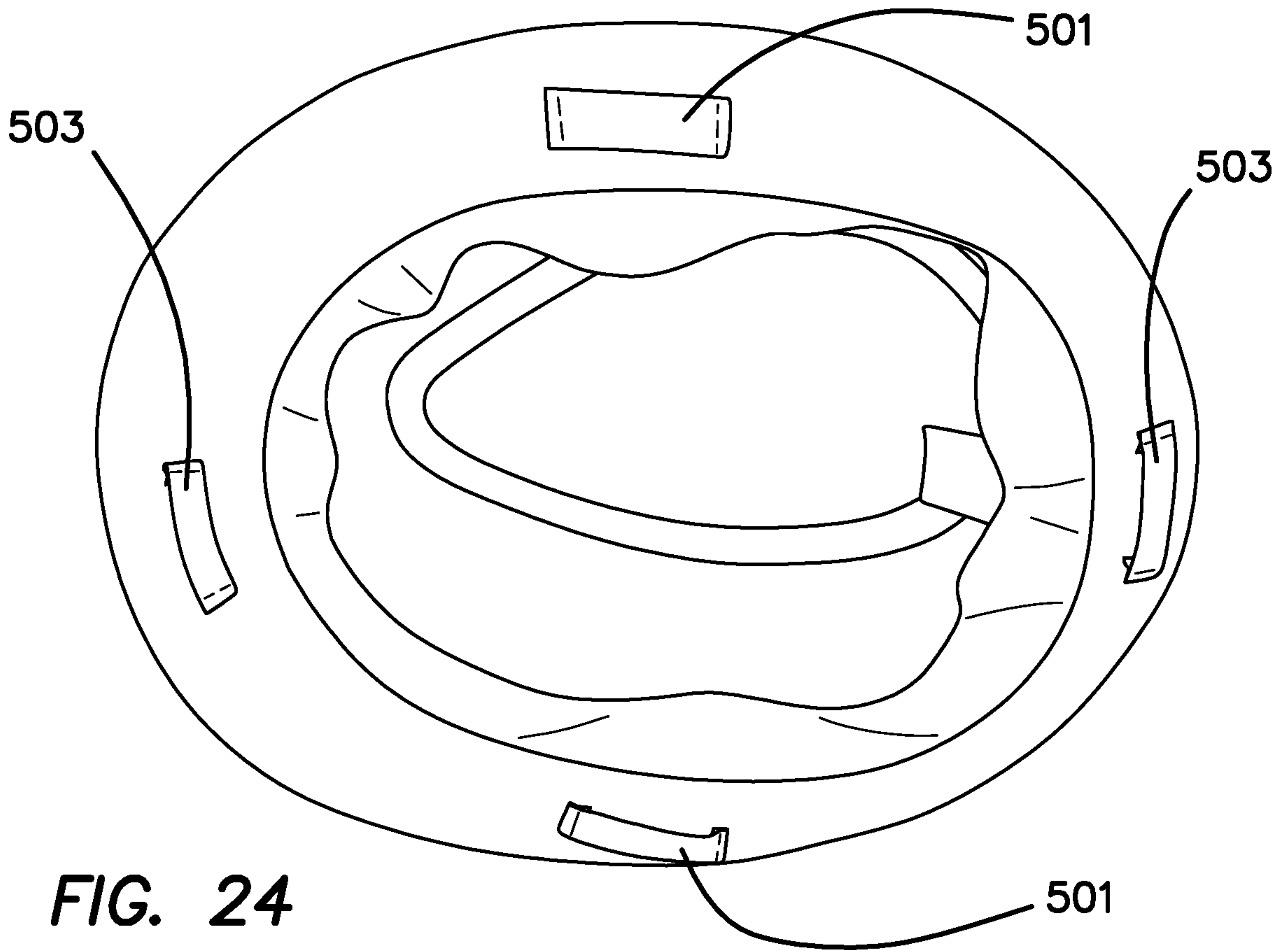
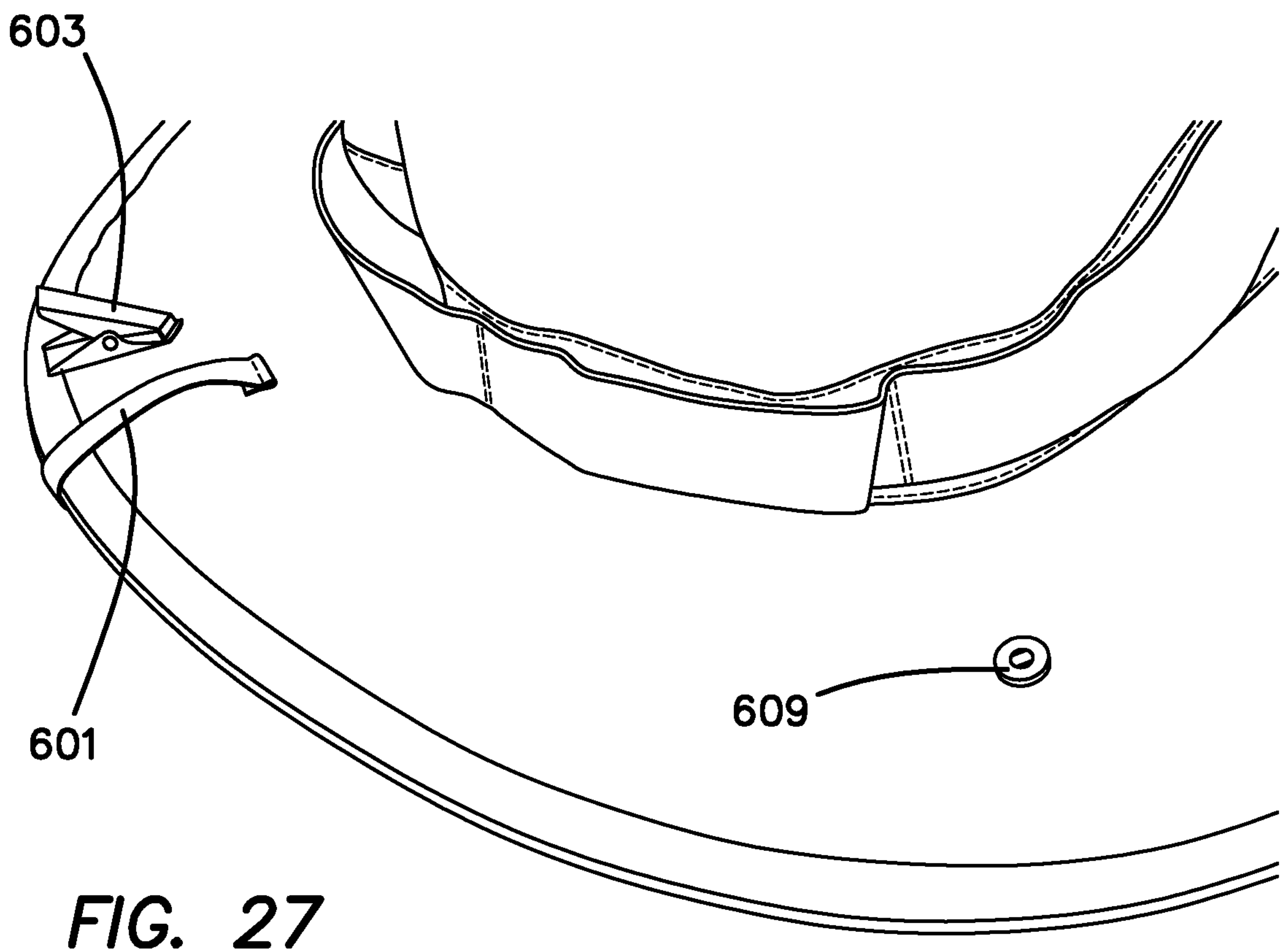
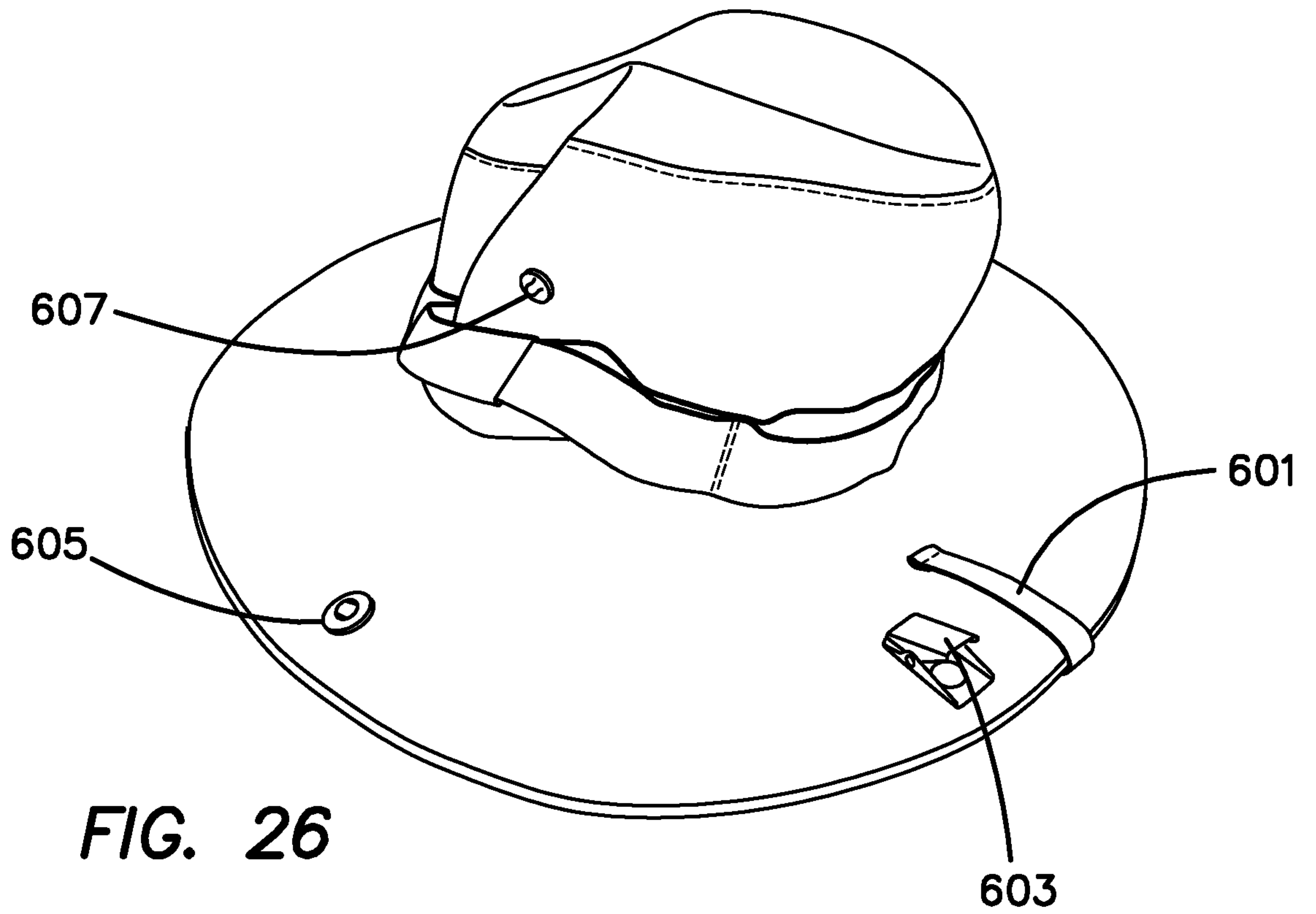


FIG. 23





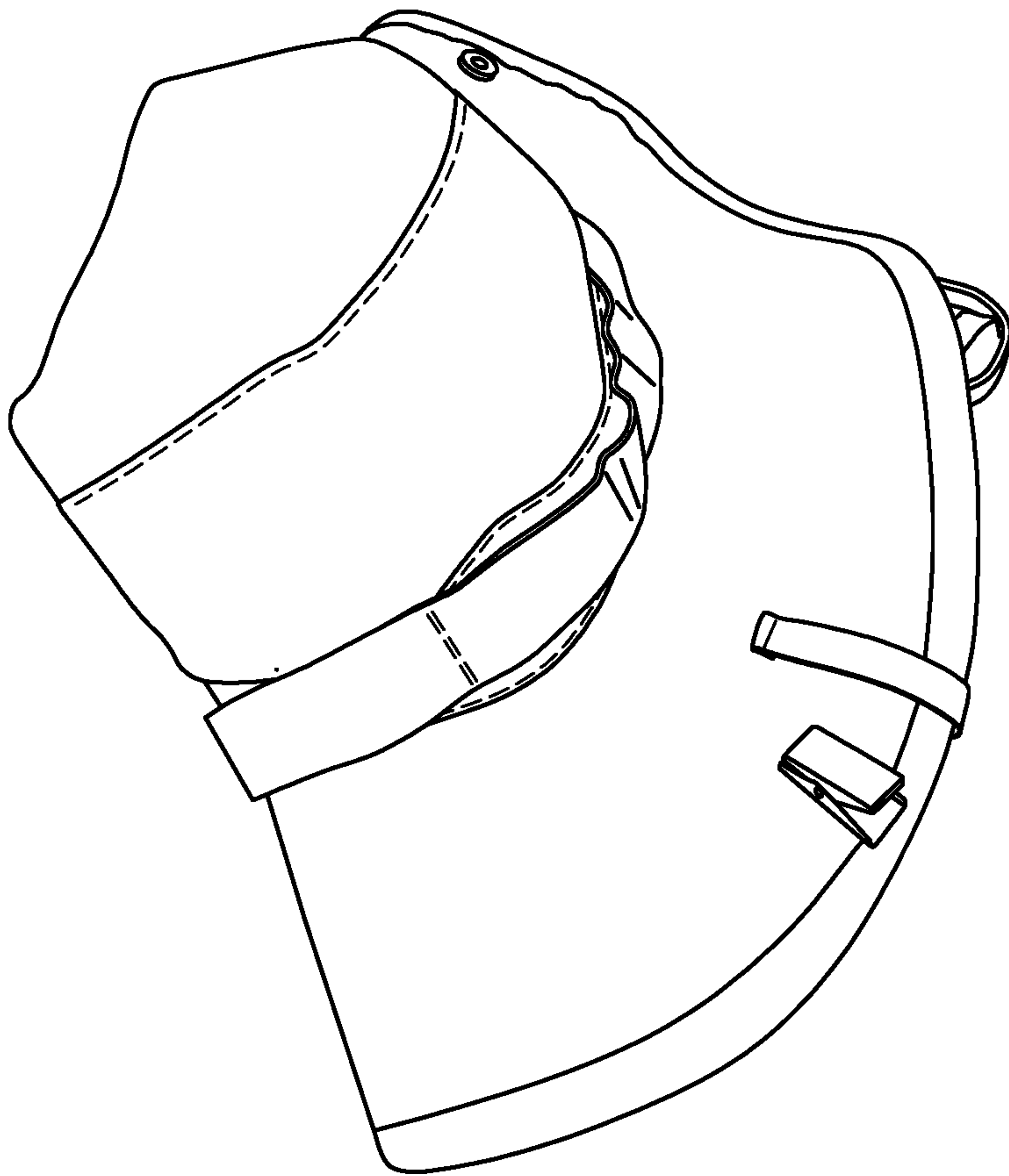


FIG. 28

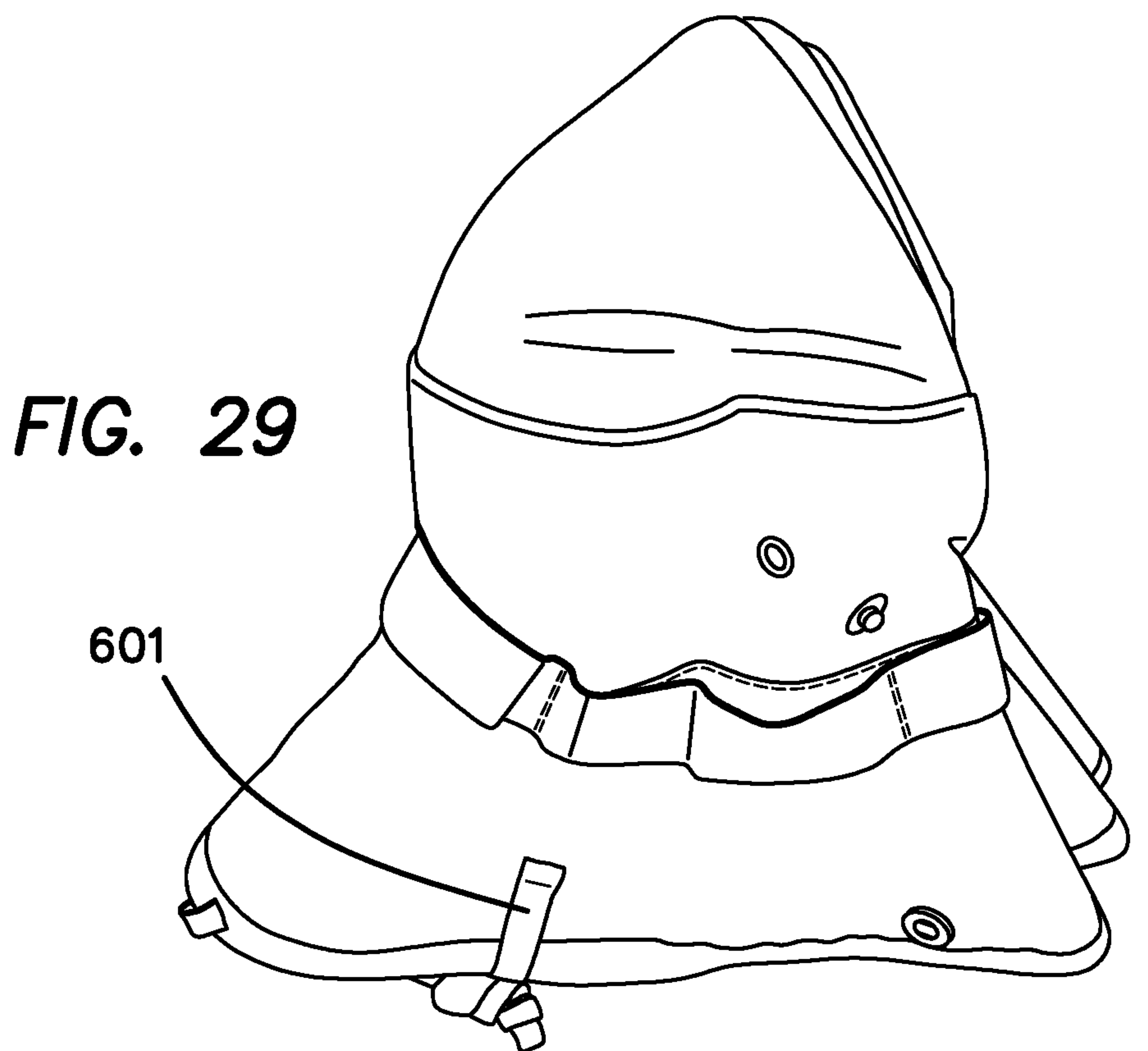


FIG. 29

601

