

(19) World Intellectual Property Organization
International Bureau



(43) International Publication Date
5 July 2001 (05.07.2001)

PCT

(10) International Publication Number
WO 01/47498 A3

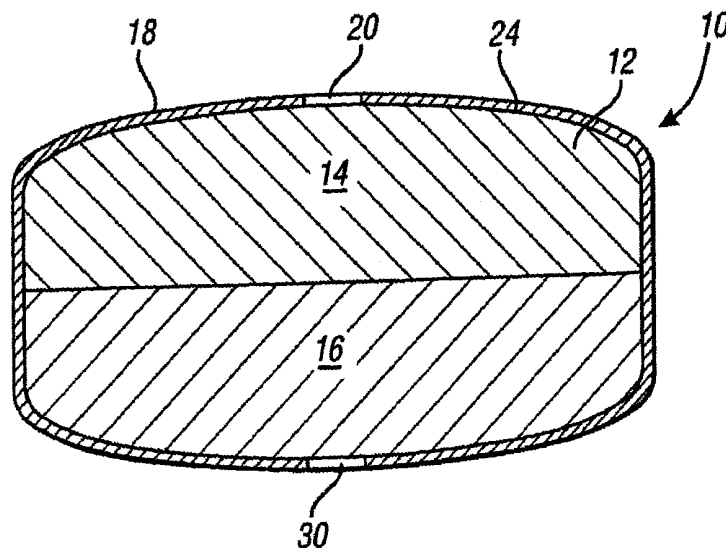
- (51) International Patent Classification⁷: A61K 9/22,
31/135
- (21) International Application Number: PCT/IB00/01871
- (22) International Filing Date:
13 December 2000 (13.12.2000)
- (25) Filing Language: English
- (26) Publication Language: English
- (30) Priority Data:
60/172,108 23 December 1999 (23.12.1999) US
- (71) Applicant (for all designated States except US): **PFIZER PRODUCTS INC.** [US/US]; Eastern Point Road, Groton, CT 06340 (US).
- (72) Inventors; and
- (75) Inventors/Applicants (for US only): **CURATOLO, William, John** [US/US]; Pfizer Global Research and Development, Eastern Point Road, Groton, CT 06340 (US).

FERGIONE, Michael, Bruce [US/US]; Pfizer Global Research and Development, Eastern Point Road, Groton, CT 06340 (US). **ROY, Michael, Christopher** [US/US]; Pfizer Global Research and Development, Eastern Point Road, Groton, CT 06340 (US). **THOMBRE, Avinash, Govind** [US/US]; Pfizer Global Research and Development, Eastern Point Road, Groton, CT 06340 (US). **WATERMAN, Kenneth, Craig** [US/US]; Pfizer Global Research and Development, Eastern Point Road, Groton, CT 06340 (US). **APPEL, Leah, Elizabeth** [US/US]; 4051 Northcliff Drive, Bend, OR 97701 (US). **BEYERINCK, Ronald, Arthur** [US/US]; 1620 NW Hartford Avenue, Bend, OR 97701 (US). **CHIDLAW, Mark, Brian** [US/US]; 63274 Cherokee Lane, Bend, OR 97701 (US). **FRIESEN, Dwayne, Thomas** [US/US]; 60779 Currant Way, Bend, OR 97702 (US). **SUPPLEE, Danielle** [US/US]; 1427 NW 5th Street, Bend, OR 97701 (US).

(74) Agents: **SPIEGEL, Allen, J.** et al.; Simpson, Alison, Urquhart-Dykes & Lord, 30 Welbeck Street, London W1G 8ER (GB).

[Continued on next page]

(54) Title: HYDROGEL-DRIVEN LAYERED DRUG DOSAGE FORM COMPRISING SERTRALINE



(57) Abstract: A controlled release dosage form for sertraline has a core comprising a sertraline-containing composition and a water-swallowable composition wherein the water-swallowable composition is in a separate region within the core. A coating around the core is water-permeable, water-insoluble, and has at least one delivery port therethrough. In one embodiment, the dosage form releases sertraline to the use environment at an average rate of 6 to 10 wt.% per hour from the second to the twentieth hour after introduction to a use environment and less than about 25 wt.% for the first two hours and at least 70 wt.% by the twelfth hour, where the percentages correspond to the mass of drug released from the tablet divided by the total mass of drug originally present in the tablet. In another embodiment, the dosage form releases less than about 25 wt.% of sertraline to the use environment by the second hour after introduction of the dosage form to the use environment, and delivers at least 25 wt.% from the eighth to the twenty-fourth hour.

WO 01/47498 A3





(81) Designated States (national): AE, AG, AL, AM, AT, AU, AZ, BA, BB, BG, BR, BY, BZ, CA, CH, CN, CR, CU, CZ, DE, DK, DM, DZ, EE, ES, FI, GB, GD, GE, GH, GM, HR, HU, ID, IL, IN, IS, JP, KE, KG, KP, KR, KZ, LC, LK, LR, LS, LT, LU, LV, MA, MD, MG, MK, MN, MW, MX, MZ, NO, NZ, PL, PT, RO, RU, SD, SE, SG, SI, SK, SL, TJ, TM, TR, TT, TZ, UA, UG, US, UZ, VN, YU, ZA, ZW.

(84) Designated States (regional): ARIPO patent (GH, GM, KE, LS, MW, MZ, SD, SL, SZ, TZ, UG, ZW), Eurasian patent (AM, AZ, BY, KG, KZ, MD, RU, TJ, TM), European patent (AT, BE, CH, CY, DE, DK, ES, FI, FR, GB, GR, IE,

IT, LU, MC, NL, PT, SE, TR), OAPI patent (BF, BJ, CF, CG, CI, CM, GA, GN, GW, ML, MR, NE, SN, TD, TG).

Published:

— with international search report

(88) Date of publication of the international search report:

15 November 2001

For two-letter codes and other abbreviations, refer to the "Guidance Notes on Codes and Abbreviations" appearing at the beginning of each regular issue of the PCT Gazette.

INTERNATIONAL SEARCH REPORT

International Application No

PCT/IB 00/01871

A. CLASSIFICATION OF SUBJECT MATTER
 IPC 7 A61K9/22 A61K31/135

According to International Patent Classification (IPC) or to both national classification and IPC

B. FIELDS SEARCHED

Minimum documentation searched (classification system followed by classification symbols)
 IPC 7 A61K

Documentation searched other than minimum documentation to the extent that such documents are included in the fields searched

Electronic data base consulted during the international search (name of data base and, where practical, search terms used)

EPO-Internal, WPI Data, PAJ, CHEM ABS Data

C. DOCUMENTS CONSIDERED TO BE RELEVANT

Category °	Citation of document, with indication, where appropriate, of the relevant passages	Relevant to claim No.
X	WO 97 37640 A (AYER ATUL DEVDATT ;ALZA CORP (US); LAM ANDREW (US); MAGRUDER JUDY) 16 October 1997 (1997-10-16) page 6 -page 8; examples 3,4 ---	3-6, 9-11,13, 15,16, 18-24, 30,37-41
X	WO 99 01121 A (CURATOLO WILLIAM JOHN ;FRIESEN DWAYNE THOMAS (US); SHANKER RAVI MY) 14 January 1999 (1999-01-14) page 113 -page 114; examples 19,20 page 94; tables 5-1 --- -/--	1-7,10, 11, 13-16, 18, 20-25, 30,31, 34-42

Further documents are listed in the continuation of box C. Patent family members are listed in annex.

° Special categories of cited documents :

A document defining the general state of the art which is not considered to be of particular relevance *E* earlier document but published on or after the international filing date *L* document which may throw doubts on priority claim(s) or which is cited to establish the publication date of another citation or other special reason (as specified) *O* document referring to an oral disclosure, use, exhibition or other means *P* document published prior to the international filing date but later than the priority date claimed	*T* later document published after the international filing date or priority date and not in conflict with the application but cited to understand the principle or theory underlying the invention *X* document of particular relevance; the claimed invention cannot be considered novel or cannot be considered to involve an inventive step when the document is taken alone *Y* document of particular relevance; the claimed invention cannot be considered to involve an inventive step when the document is combined with one or more other such documents, such combination being obvious to a person skilled in the art. *&* document member of the same patent family
---	---

Date of the actual completion of the international search 8 June 2001	Date of mailing of the international search report 22/06/2001
---	---

Name and mailing address of the ISA European Patent Office, P.B. 5818 Patentlaan 2 NL - 2280 HV Rijswijk Tel. (+31-70) 340-2040, Tx. 31 651 epo nl, Fax: (+31-70) 340-3016	Authorized officer Boulois, D
--	---

INTERNATIONAL SEARCH REPORT

International Application No

PCT/IB 00/01871

C.(Continuation) DOCUMENTS CONSIDERED TO BE RELEVANT

Category *	Citation of document, with indication, where appropriate, of the relevant passages	Relevant to claim No.
T	EP 1 027 888 A (PFIZER PROD INC) 16 August 2000 (2000-08-16) page 19; example 8 -----	1-7

INTERNATIONAL SEARCH REPORT

Information on patent family members

International Application No

PCT/IB 00/01871

Patent document cited in search report	Publication date	Patent family member(s)	Publication date
WO 9737640 A	16-10-1997	AU 710389 B	16-09-1999
		AU 2337897 A	29-10-1997
		BR 9708528 A	03-08-1999
		CA 2249637 A	16-10-1997
		EP 0907358 A	14-04-1999
		JP 2000508313 T	04-07-2000
		NZ 332014 A	29-04-1999
WO 9901121 A	14-01-1999	AU 7544998 A	25-01-1999
		BG 103915 A	31-07-2000
		BR 9810403 A	29-08-2000
		CN 1261793 T	02-08-2000
		EP 0999830 A	17-05-2000
		HR 980379 A	30-04-1999
		JP 2000514101 T	24-10-2000
		NO 996518 A	29-02-2000
		PL 337806 A	11-09-2000
		TR 9903280 T	21-11-2000
EP 1027888 A	16-08-2000	JP 2000229846 A	22-08-2000