



- (51) International Patent Classification: **BOT, Christopher M.** [US/US]; 40 Pleasant Lane W., Tonka Bay, MN 55331 (US).
A61M 1/14 (2006.01)
- (21) International Application Number: **Agent: HAHN, Roger;** Hahn & Voight PLLC, 1012 14th Street, NW, Suite 620, Washington, DC 20005 (US).
PCT/US2015/018023
- (22) International Filing Date: **(81) Designated States** (*unless otherwise indicated, for every kind of national protection available*): AE, AG, AL, AM, AO, AT, AU, AZ, BA, BB, BG, BH, BN, BR, BW, BY, BZ, CA, CH, CL, CN, CO, CR, CU, CZ, DE, DK, DM, DO, DZ, EC, EE, EG, ES, FI, GB, GD, GE, GH, GM, GT, HN, HR, HU, ID, IL, IN, IR, IS, JP, KE, KG, KN, KP, KR, KZ, LA, LC, LK, LR, LS, LU, LY, MA, MD, ME, MG, MK, MN, MW, MX, MY, MZ, NA, NG, NI, NO, NZ, OM, PA, PE, PG, PH, PL, PT, QA, RO, RS, RU, RW, SA, SC, SD, SE, SG, SK, SL, SM, ST, SV, SY, TH, TJ, TM, TN, TR, TT, TZ, UA, UG, US, UZ, VC, VN, ZA, ZM, ZW.
- (25) Filing Language: English
- (26) Publication Language: English
- (30) Priority Data:
62/016,613 24 June 2014 (24.06.2014) US
62/077,167 7 November 2014 (07.11.2014) US
- (71) Applicant: **MEDTRONIC, INC.** [US/US]; 710 Medtronic Parkway, N.E., Minneapolis, MN 55432 (US).
- (72) Inventors; and
- (73) Applicants : **GERBER, Martin, T.** [US/US]; 6384 Forestview Lane, Maple Grove, MN 55369 (US). **HO-**
- (84) Designated States (*unless otherwise indicated, for every kind of regional protection available*): ARIPO (BW, GH, GM, KE, LR, LS, MW, MZ, NA, RW, SD, SL, ST, SZ, TZ, UG, ZM, ZW), Eurasian (AM, AZ, BY, KG, KZ, RU,

[Continued on next page]

(54) Title: REPLENISHING UREASE IN DIALYSIS SYSTEMS USING A UREASE INTRODUCER

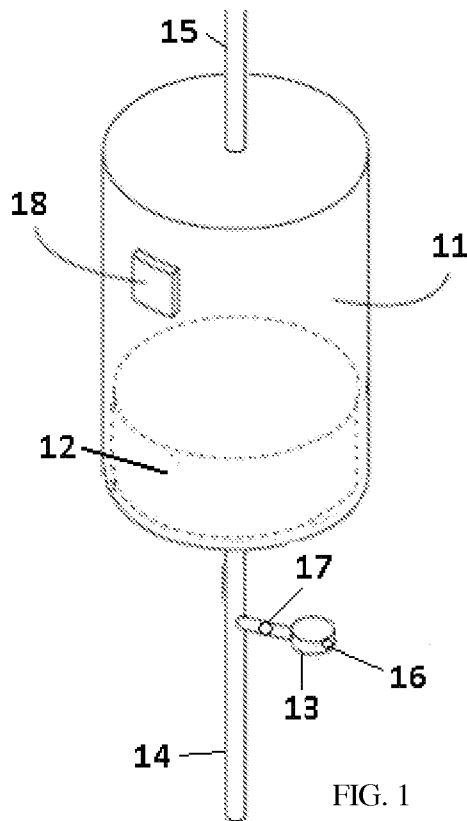


FIG. 1

(57) Abstract: An apparatus and method for replenishing urease in a sorbent cartridge for use in sorbent dialysis. The sorbent cartridge is configured to allow an amount of urease to be added to the sorbent cartridge. A urease solution can be injected into the sorbent cartridge to replenish the urease containing module, or solid urease can be added to the sorbent cartridge. The sorbent module can also comprise other, rechargeable, sorbent materials for removing toxins other than urea from spent dialysate.

WO 2015/199760 A1

TJ, TM), European (AL, AT, BE, BG, CH, CY, CZ, DE, DK, EE, ES, FI, FR, GB, GR, HR, HU, IE, IS, IT, LT, LU, LV, MC, MK, MT, NL, NO, PL, PT, RO, RS, SE, SI, SK, SM, TR), OAPI (BF, BJ, CF, CG, CI, CM, GA, GN, GQ, GW, KM, ML, MR, NE, SN, TD, TG).

Published:
— *with international search report (Art. 21(3))*
— *with amended claims (Art. 19(1))*

REPLENISHING UREASE IN DIALYSIS SYSTEMS
USING A UREASE INTRODUCER

FIELD OF THE INVENTION

[0001] The invention relates to an apparatus and related method for replenishing urease in a urease containing module, section, or compartment of a sorbent cartridge. The urease in the sorbent cartridge can be replenished by using a urease introducer that delivers urease into the sorbent cartridge via a urease injection port, an opening on the sorbent cartridge such as a door, or a slideable tray. The sorbent cartridge can receive the urease in a section of the sorbent cartridge that can contain an adjustable amount of urease that can be added by the urease introducer in varying amounts as needed before, during, or after a dialysis session. The section can also contain alumina, silica, or a combination thereof, which can be used to immobilize urease. The alumina, silica, or combination thereof, can be recharged by the addition of new urease by using the urease introducer of the present invention. In addition to the section, the sorbent cartridge can also contain another section that contains other sorbent materials such as zirconium phosphate.

BACKGROUND

[0002] Urease is a water soluble enzyme used in dialysis to convert urea into ammonium ions and bicarbonate. Oftentimes, urease can be immobilized electrostatically or covalently on an alumina or silica substrate inside a sorbent cartridge that is designed to be connected to a dialysis system. However, conventional immobilization of urease has been associated with the disadvantages of low loading and leaching of urease that can result in low urease sufficiency in dialysis. Moreover, conventional sorbent dialysis systems cannot, replenish, i.e., provide additional or specified amounts of urease to the sorbent cartridge or dialysis system before, during, or after a dialysis session. The inability to control the amount of urease added or available for system use can be problematic because the amount of urease required for a

particular dialysis session can vary. The amount of urease required for a dialysis session may depend on a number of factors such as patient weight, urea load, dialysis time, *etc.* resulting in different rates and amounts of urease required per session. Using more or less than the required amount of urease for a particular dialysis session can translate into increased expenditures and waste from unused or overused urease as well as other sorbent materials contained in the sorbent cartridge.

[0003] Known sorbent dialysis cartridges and systems further cannot measure the amount of urease used during a particular session or replenish or add urease back to the sorbent cartridge or system as needed should a session need additional quantities of urease, or should additional urease be needed in the case of faster fluid flow rates through the sorbent cartridge.

[0004] Sometimes, certain sorbent materials such as alumina and zirconium phosphate can be recharged such that the sorbent material is put back into a condition for use in sorbent dialysis. However, known systems cannot recharge some or all of the sorbent materials, some of which can be rechargeable components, within a sorbent cartridge that also contains urease without undesirable effects. For example, recharging zirconium phosphate in the same sorbent cartridge in which urease is immobilized on alumina or silica can result in urease being stripped off the alumina or silica. Known systems cannot therefore replenish urease lost due to the process of recharging zirconium phosphate or other non-water soluble, rechargeable sorbent materials inside the same cartridge, or add a specific amount of urease to a sorbent cartridge or sorbent system.

[0005] As such, there is a need for systems, methods, components and devices for optimizing use of sorbent materials such as urease within a sorbent cartridge. The need extends to systems that can replenish urease in a sorbent cartridge and related dialysis systems by either directly adding discrete amounts of urease or by continuously adding urease to the sorbent system by a delivery mechanism. The need includes a sorbent cartridge and related systems in

which urease can be added on demand, continuously, and in specified, discrete amounts. The need extends to providing urease at a specified time such as after, before, or during a dialysis session. The need includes providing the urease while the system is operating or off-line. The need includes adding the desired amounts of urease in a simple and convenient manner in adjustable amounts. In general, the need can be broadly described as dynamically adding urease to sorbent cartridges and related dialysis systems. The need can include adjusting the amount of required urease depending on a measured amount of urea detected anywhere in the system or sorbent cartridge or other dialysis parameters.

[0006] There is also a need for a mechanism of directly adding urease to a sorbent cartridge, on demand. The need includes a way to inject urease into a sorbent cartridge or a part of a flow path anywhere upstream of the sorbent cartridge in the dialysis system by an easy-to-use delivery mechanism. There is also a need for a sorbent cartridge in which fresh urease can be added via a delivery mechanism to replenish or refill the urease in the sorbent cartridge. There is also a need for measuring an amount of urease required to be dynamically added to a sorbent cartridge depending on a measured amount of urea or a suitable indication of urea conversion known to those of ordinary skill. There is also a need for a sorbent cartridge having a section for containing urease wherein the section can contain an adjustable amount of urease. The need includes a sorbent cartridge optionally having a section for containing one or more sorbent materials in amounts that do not need to be adjusted.

[0007] There is a need for a system for adding or replacing urease either directly into the sorbent cartridge or by injecting urease into a delivery mechanism. There is a further need for a closed sorbent cartridge capable of receiving an adjustable amount of urease on demand, and a simple way to measure, replenish and/or refill urease during a dialysis session. The methods and systems require a way for introducing urease in continuous or specified and/or discrete amounts. The methods and systems may involve pre-set amounts of urease or dynamically adjustable

amounts of urease. There is also a need for a system capable of replenishing urease that may be stripped out of the sorbent cartridge during maintenance or dialysis session.

SUMMARY OF THE INVENTION

[0008] The first aspect of the invention relates to a sorbent cartridge. In any embodiment of the first aspect of the invention, the sorbent cartridge can comprise a urease introducer for facilitating replenishment of urease to the sorbent cartridge.

[0009] In any embodiment of the first aspect of the invention, the urease introducer can be selected from any one of an injection port, a slideable tray, a door, and combinations thereof.

[00010] In any embodiment of the first aspect of the invention, the injection port can be sized to only introduce urease.

[00011] In any embodiment of the first aspect of the invention, the injection port can be in fluid communication with the sorbent cartridge and can have an optional valve for controlling fluid access into the sorbent cartridge.

[00012] In any embodiment of the first aspect of the invention, the injection port can be contained on an exterior sorbent cartridge section upstream from zirconium phosphate inside the sorbent cartridge, or can be in fluid connection with a fluid entry point of the sorbent cartridge.

[00013] In any embodiment of the first aspect of the invention, the slideable tray can be adapted to receive urease and can have an opening on a top and bottom side to allow for fluid flow.

[00014] In any embodiment of the first aspect of the invention, the slideable tray can be an annular ring hingeably disposed on the sorbent cartridge having an opened and closed position.

[00015] In any embodiment of the first aspect of the invention, the door can be hingeably disposed on an exterior side of the sorbent cartridge having an open and closed position to allow for access into an interior of the sorbent cartridge.

[00016] In any embodiment of the first aspect of the invention, the urease introduced through the urease introducer can be immobilized on a urease binding material selected from alumina, silica, or a combination thereof.

[00017] In any embodiment of the first aspect of the invention, the sorbent cartridge can contain urease and at least one or more sorbent materials. In any embodiment of the first aspect of the invention, the sorbent materials can be selected from the group consisting of activated carbon, hydrous zirconium oxide, ion exchange resin, zirconium phosphate, alumina, silica, and combinations thereof.

[00018] In any embodiment of the first aspect of the invention, the sorbent cartridge can comprise a first section for housing the at least one more sorbent material and a second section for housing the urease. The other sorbent materials can be housed in the first section, while alumina or silica can be separately housed in the second section, as described herein.

[00019] In any embodiment of the first aspect of the invention, the one or more sorbent materials can be either alumina, silica, or a combination thereof.

[00020] In any embodiment of the first aspect of the invention, the sorbent cartridge can be capable of being adapted to any part of a dialysis flow path. In any embodiment of the first aspect of the invention, the dialysis flow path can be a controlled compliant dialysis flow path.

[00021] In any embodiment of the first aspect of the invention, the second section can be adapted to receive the one or more sorbent material or a modular regeneration assembly containing the one or more rechargeable sorbent material.

[00022] In any embodiment of the first aspect of the invention, the urease introducer can be positioned upstream from zirconium phosphate inside the sorbent cartridge.

[00023] In any embodiment of the first aspect of the invention, the injection port can have a diameter sized to introduce urease at a flow rate for introducing urease into the sorbent cartridge.

[00024] In any embodiment of the first aspect of the invention, the injection port can be in fluid communication with the sorbent cartridge and can have an optional valve for controlling fluid access into the sorbent cartridge.

[00025] Any of the features disclosed as being part of the first aspect of the invention can be included in the first aspect of the invention, either alone or in combination.

[00026] The second aspect of the invention relates to a method that can comprise the steps of detecting an amount of urea or other known urea conversion parameter, converted by urease inside a sorbent cartridge to ammonia and/or carbon dioxide and supplying urease to the sorbent cartridge if the amount of urea converted by urease inside the sorbent cartridge to ammonia and/or carbon dioxide is insufficient, wherein the sorbent cartridge is adapted to receive an adjustable amount of urease.

[00027] In any embodiment of the second aspect of the invention, the step of detecting the amount of urea converted to ammonia and/or carbon dioxide can be performed by any one of the means selected from the group consisting of an optical sensor, a chemical sensor, a blood urea nitrogen assay, and combinations thereof.

[00028] In any embodiment of the second aspect of the invention, the step of supplying urease can be performed by introducing a urease solution with a concentration between any of 1mg/mL to 250mg/mL, 15mg/mL to 150mg/mL, 10 mg/mL to 100 mg/mL, or 75 mg/mL to 250 mg/mL of urease into the sorbent cartridge.

[00029] In any embodiment of the second aspect of the invention, the step of supplying urease can be performed by introducing between any of 1.3 mL to 13.3 mL, 1.5 mL to 3.5 mL, 2.3 mL to 10.3mL, or 5.0 mL to 12.3 mL at an activity of 300 unit/mg of urease activity of a urease solution into the sorbent cartridge. In any embodiment of the second aspect of the invention, the step of supplying urease can be provided per session for any of the disclosed urease introduction ranges.

[00030] In any embodiment of the second aspect of the invention, the method can further comprise recharging one or more sorbent materials housed inside the sorbent cartridge by passing a solution containing an appropriate amount of solutes for recharging the one or more rechargeable sorbent materials through the sorbent cartridge.

[00031] In any embodiment of the second aspect of the invention, the method can further comprise recharging one or more sorbent materials housed inside the sorbent cartridge by replacing one or more modules of a modular regeneration assembly containing the amount of one or more rechargeable sorbent materials.

[00032] Any of the features disclosed as being part of the second aspect of the invention can be included in the second aspect of the invention, either alone or in combination.

BRIEF DESCRIPTION OF THE DRAWINGS

[00033] FIG. 1 is a perspective view of a sorbent cartridge having a urease injection port

[00034] FIG. 2 is a perspective view of a sorbent cartridge having a urease introducer in the configuration of a urease tray.

[00035] FIG. 3 is a perspective view of a sorbent cartridge having a urease introducer in the configuration of a urease door.

[00036] FIG. 4 is a perspective view of a disc containing alumina or silica and/or urease that can be introduced into a sorbent cartridge of the invention.

[00037] FIG. 5 is a perspective view of a sorbent cartridge having a urease injection port located directly on the sorbent cartridge.

[00038] FIG. 6 is a perspective view of a sorbent cartridge with a pierceable septum for introducing urease.

[00039] FIG. 7 an exemplary embodiment of a sorbent cartridge.

DETAILED DESCRIPTION OF THE INVENTION

[00040] Unless defined otherwise, all technical and scientific terms used herein generally have the same meaning as commonly understood by one of ordinary skill in the relevant art.

[00041] The articles “a” and “an” are used herein to refer to one or to more than one (*i.e.*, to at least one) of the grammatical object of the article. By way of example, “an element” means one element or more than one element.

[00042] The term “adapted to receive” refers to a component wherein introduction of a substance into the component is possible.

[00043] An “adjustable amount” refers to an amount of a sorbent material that can be, but is not required to be, changed during a dialysis session.

[00044] An “ammonium sensor” is a sensor that is capable of detecting the presence of, or concentration of ammonium ions.

[00045] An “annular ring” is a ring having a substantially circular shape. The cross-section of the ring may be rectangular, triangular, round, or any other known shape. The ring may be constructed of any rigid or semi-rigid material, and may be adhered to the inner surface of a sorbent pouch by any means known in the art. An annular ring may also be an “o-ring.”

[00046] The term “appropriate amount of solutes” refers to an amount of one or more solute(s) that is sufficient to accomplish a particular task. For example, an “appropriate amount of solutes” necessary to recharge the zirconium phosphate in a sorbent cartridge is the amount of sodium and hydrogen necessary to recharge the zirconium phosphate. The appropriate amount can be greater than the minimum amount necessary to accomplish the particular task.

[00047] A “blood urea nitrogen assay” is any analytical test that can determine the concentration of urea in blood or other fluids.

[00048] The term “cartridge” refers to any container designed to contain a powder, fluid, or gas made for ready connection to a device, structure, system, flow path or mechanism. The container can have one or more compartments. Instead of compartments, the container can also

be comprised of a system of two or more modules connected together to form the cartridge wherein the two or more modules once formed can be connected to a device, structure, system, flow path or mechanism.

[00049] A “chemical sensor” is a sensor that senses one or more variables based on the chemical properties of a component of a medium.

[00050] A “compartment” means a part or a space designated, defined, marked or partitioned off from a structure. For example, a urease compartment in a sorbent cartridge is space defined within the sorbent cartridge containing urease. Optionally, the compartment can be in selected fluid communication with other compartments or modules of the sorbent system. The compartment can be physically separated or marked off without a physical barrier.

[00051] A “component” is any portion of a larger system. Non-limiting examples of components are containers, reservoirs, sensors, modules, and sorbents.

[00052] The term “comprising” includes, but is not limited to, whatever follows the word “comprising.” Thus, use of the term indicates that the listed elements are required or mandatory but that other elements are optional and may or may not be present.

[00053] The term “configured to contain a sorbent material” refers to a component that is capable of holding a sorbent material. The component need not permanently hold the sorbent material in order to be configured to contain a sorbent material and can be of any size, configuration or geometry capable of retaining the sorbent material.

[00054] The term “consisting of” includes and is limited to whatever follows the phrase “consisting of.” Thus, the phrase indicates that the limited elements are required or mandatory and that no other elements may be present. The term “consisting essentially of” includes whatever follows the term “consisting essentially of” and additional elements, structures, acts or features that do not affect the basic operation of the apparatus, structure or method described.

[00055] The term “contain” as used herein means to keep a material within a specific place. “Contain” can refer to materials that are placed within a compartment, absorbed onto a component, bound to a component, or any other method of keeping the material in a specific place.

[00056] The term “container” as used herein is a receptacle that may be flexible or inflexible for holding any fluid or solid, such as for example a spent dialysate fluid, or a sodium chloride or sodium bicarbonate solution or solid, or urease, or urease/alumina, and the like. Generally, a container is a component of a larger system. A “sorbent container” is any receptacle configured to hold one or more sorbent materials. Similarly, a “urease container” is any receptacle configured to hold urease.

[00057] “Controlling fluid access” refers in one instance to a component that can be used to either allow fluid to access another component, or to not allow fluid to access another component. “Controlling fluid access” can also refer to a component that can be used to control the amount of fluid that can access another component.

[00058] “Cooperatively engaging” describes two compartments that have complementary engagement members that allow for an engagement configuration.

[00059] “Dialysate” is the fluid that passes through the dialyzer on the side of the dialysis membrane that is opposite to the fluid (e.g. blood) that is being dialyzed.

[00060] “Dialysis” is a type of filtration, or a process of selective diffusion through a membrane. Dialysis removes solutes in the blood of a specific range of molecular weights via diffusion through a membrane from a fluid to be dialyzed. During dialysis, a fluid to be dialyzed is passed on one side of a filter membrane, while dialysate is passed on the other side of that membrane. Dissolved solutes are transported across the filter membrane by diffusion between the fluids. The dialysate is used to remove solutes from the blood being dialyzed. The dialysate can also provide enrichment to the other fluid.

[00061] A “dialysis flow path” is the route in which a fluid will travel during dialysis.

[00062] “Engagement members” allow compartments to cooperatively engage. In certain embodiments, these engagement members may be clasps or latches.

[00063] An “exterior side” is a portion of a container or component that is on the outside of the container or component, as opposed to an “interior section” of a container or component, which denotes the inside of the container or component.

[00064] “Flow” refers to the movement of a fluid or gas.

[00065] A “fluid” is a liquid substance optionally having a combination of gas and liquid phases in the fluid. Notably, a liquid, as used herein, can therefore also have a mixture of gas and liquid phases of matter.

[00066] The term “fluid communication” refers to the ability of fluid or gas to move from one component or compartment to another within a system or the state of being connected, such that fluid or gas can move by pressure differences from one portion that is connected to another portion.

[00067] The term “fluidly connectable” or “fluid connection” refers to the ability of providing for the passage of fluid or gas from one point to another point. The two points can be within or between any one or more of compartments, modules, systems, components, and rechargers, all of any type.

[00068] “Fluid entry point” refers to any point in a component or system that a fluid can be introduced to a portion of the component or system.

[00069] “Functional capacity” is the ability of a material to accomplish the material’s intended function. In some instances functional capacity can refer to the ability of a sorbent material to remove specific solutes from a fluid, or to transform specific solutes into other materials.

[00070] “Hermetically sealed” refers to a seal that is airtight, or substantially impermeable to gases or fluids.

[00071] “Hingeably disposed” refers to a method of attachment wherein one component is connected to a second component by a hinge. The hinge allows for one component to turn or pivot while the other component is stationary.

[00072] “Immobilized,” as used to refer to a chemical component, refers to a configuration wherein a chemical component is held in place by some force. The force may be provided by absorption, adsorption, adhesion, or any other method for the chemical to be held in place.

[00073] A “modular dialysate regeneration assembly” or “modular regeneration assembly” is one or more sorbent compartment containing at least one sorbent material attached to at least another sorbent compartment.

[00074] “Module” or “modular” refers to a discrete component of a system. Each of the modules can be fitted to each other to form a system of two or more modules. Once fitted together, the modules can be in fluid connection and resist inadvertent disconnection. A single module can represent a cartridge to be fitted to a device or mechanism if the module is designed to contain all the necessary components for an intended purpose such as a sorbent for use in dialysis. In such a case, the module can be comprised of one or more compartments within the module. Alternatively, two or more modules can form a cartridge to be fitted to a device or mechanism where each module individually carries separate components but only when connected together contain in summation all the necessary components for an intended purpose such as a sorbent for use in dialysis. A module can be referred to as a “first module,” “second module,” “third module,” *etc.* to refer to any number of modules. The designation of “first,” “second,” “third,” *etc.* does not refer to the respective placement of the module in the direction of fluid or gas flow, but merely serves to distinguish one module from another unless otherwise indicated.

[00075] “Multi-use” refers to a section of a sorbent cartridge that can be recharged, as used herein, such that after recharging, the sorbent cartridge can be placed back into service for dialysis. A multi-use section of a sorbent cartridge requires recharging of the sorbent materials within the sorbent cartridge, but not necessarily replenishment of the sorbent materials.

[00076] An “open” position is a configuration wherein the interior of a component is exposed to the surroundings. A “closed” position is a configuration wherein the interior of the component is cut off from the surroundings by a wall or other separator.

[00077] An “opening on the top side” or an “opening on the bottom side” refers to a passage for fluid on one side of a component.

[00078] An “optical sensor” is a sensor that senses one or more variables based on changes in the light emitted from, reflected from, absorbed by, or that travels through a medium.

[00079] The terms “pathway,” “conveyance pathway,” “fluid flow path,” and “flow path” refer to the route through which a fluid or gas, such as dialysate or blood, travels.

[00080] “Recharging” refers to the process of treating a sorbent material to restore the functional capacity of the sorbent material, so as to put the sorbent material back into a condition for reuse or for use in a new dialysis session. In some instances, the total mass, weight and/or amount of “rechargeable” sorbent materials remain the same. In other embodiments, the total mass, weight and/or amount of “rechargeable” sorbent materials may change. Without being limited to any one theory of invention, the recharging process may involve exchanging ions bound to the sorbent material with different ions, which in some instances may increase or decrease the total mass of the system. However, the total amount of the sorbent material will in some instances be unchanged by the recharging process. Upon a sorbent material undergoing “recharging,” the sorbent material can then be said to be “recharged.” Recharging of rechargeable sorbent materials is not the same as replenishing of a particular sorbent material

such as urease. Notably, urease is not generally “recharged,” but can be replenished, as defined herein.

[00081] “Replenishing” means to add back into a system, section or module, a material that was previously removed, reduced, depleted, or taken out from that system, section or module. For example, after introducing an amount of a sorbent material, e.g., urease, that was reduced in quantity and/or functional capacity in a compartment, the compartment with the freshly introduced sorbent material can then be said to be “replenished.”

[00082] “Reusable” refers in one instance to a material that can be used more than one time, possibly with treatment or recharging of the material between uses. Reusable may also refer to a cartridge that contains a material that can be recharged by recharging the material(s) contained within the cartridge.

[00083] A “section” refers to any portion of a larger component. A section can be referred to as a “first section,” “second section,” “third section,” *etc.* to refer to any number of sections. The designation of “first,” “second,” “third,” *etc.* does not refer to the respective placement of the section in the direction of fluid or gas flow, but merely serves to distinguish one section from another unless otherwise indicated. Additionally, each section can be optionally physically separated such as by a divider or wall; however, referring to a particular section does not necessarily require physical separation and can merely refer to a particular location in which a material is contained.

[00084] A “sensor” is a component capable of determining the states of one or more variables in a system.

[00085] “Single-use” refers to a component, compartment, or module that is not capable of being recharged as defined herein. Oftentimes, a single use compartment can be replenished, as defined herein, with at least one material, e.g., urease, such that the compartment may be used in another dialysis session, but remains “single use” in the sense that the material is only being

replenished, and not recharged. When the single use compartment is no longer suitable for use in dialysis, the single use compartment may be discarded whereas a “rechargeable” compartment can be recharged and put back into operation.

[00086] “Sized to introduce urease” when referring to an injection port, refers to the size necessary for injecting the amount of urease needed for a dialysis session. Other materials may be possible to be injected into the injection port, but the size of the injection port is selected only based on the amount of urease necessary for a dialysis session.

[00087] “Solid urease” refers to urease in the solid phase of matter. The solid urease can be in a block of solid urease or in powdered form.

[00088] “Sorbent cartridge” refers to a cartridge that can contain one or more sorbent materials. The cartridge can be connected to a dialysis flow path. The sorbent materials in the sorbent cartridge are used for removing specific solutes from solution, such as urea. The sorbent cartridge can have a single compartmental design wherein all sorbent materials necessary for performing dialysis are contained within the single compartment. Alternatively, the sorbent cartridge can have a modular dialysate regeneration assembly wherein the sorbent materials are dispersed across at least two different modules, which can be connected to form a unitary body. Once the at least two modules are connected together, the connected modules can be referred to as a sorbent cartridge, which can be fitted to a device or mechanism. When a single module contains all the sorbent materials necessary for performing dialysis, the single module can be referred to as a sorbent cartridge.

[00089] “Sorbent materials” are materials capable of removing specific solutes from solution, such as urea or urea byproducts.

[00090] “Spent dialysate” is a dialysate contacted with blood through a dialysis membrane and contains one or more impurities, or waste species, or waste substances, such as urea.

[00091] “Upstream” of a section means positioned prior to that section in a fluid flow path. In normal operation, fluid will pass the “upstream” portion before passing the “downstream” portion.

[00092] The term “urease-binding sorbent material” refers to any material that can bind urease via any means including electrostatic, enzymatic, or intermolecular force binding of any kind.

[00093] The term “urease compartment” or “urease container” refers to a defined space or partition of any kind made from any material adapted for containing urease.

[00094] The term “urease door,” or “door,” refers to a portion of a component such as a sorbent cartridge that can be opened, and the contents of the sorbent cartridge behind the door can optionally be replaced.

[00095] The terms “urease injection port” or “injection port” refer to a temporary or non-temporary opening or passageway allowing for the entry of urease from one compartment to another.

[00096] The term “urease tray” refers to a drawer structure having a housing, generally being a sorbent cartridge, or alternatively the console of a sorbent dialysis cabinet, wherein the urease tray defines an interior volume defined therein that can be adapted to receive, for example, a urease pouch, module or loose sorbent material. The drawer can be “slideably movable,” or a “slideable tray” with respect to the interior volume of the housing between a first closed position, wherein the compartments are enclosed within the interior volume, and a second open position, wherein the compartments are at least partially accessible. The “urease tray” can also optionally have a mechanism for controllably locking and/or sealing the drawer in the first closed position.

[00097] A “urease introducer” is any component of a sorbent cartridge that allows, facilitates, or provides for an amount of urease to be added to a sorbent cartridge. The use of the

term introducer is used in the broadest sense. For example, the urease introducer can be an inlet, a flow passageway, a tube, a tray that functions to introduce urease into a defined compartment, or any other means that facilitates the introduction of urease.

[00098] A “urea sensor” is a component capable of detecting the presence of, or concentration of urea in a fluid.

[00099] The term “urease solution” refers to any aqueous solution being formulated by blending a solvent, such as a water based solvent, and urease. The solution can have optional components such as buffering components.

[000100] A “valve” is a device capable of directing the flow of fluid or gas by opening, closing or obstructing one or more pathways to allow the fluid or gas to travel in a particular path. One or more valves configured to accomplish a desired flow can be configured into a “valve assembly.”

Urease Injection System

[000101] The present invention provides for a sorbent cartridge containing all non-water soluble, rechargeable components inside a single compartment within, or contained separate from, the sorbent cartridge. The single compartment design contemplated by the first and second aspects of the invention can reduce fabrication and maintenance costs. In any embodiment of the first and second aspects of the invention, the non-water soluble, rechargeable components such as zirconium phosphate and alumina can be recharged. Any urease that is stripped off or required for operation can be added in a subsequent step back into the sorbent cartridge by the system or user. In this manner, the urease binding material such as alumina or silica in the sorbent cartridge can be replenished with urease. The sorbent cartridge of the first and second aspects of the invention includes re-filling or re-supplying, or otherwise adding an amount of urease back into the sorbent cartridge and related systems. In any such embodiment of the first and second aspects of the invention, urease can be provided by the urease introducer to replenish the available

amount of urease present in the sorbent cartridge. As provided herein, the recharging of a sorbent material, such as alumina or zirconium phosphate, describes the ability to restore or enhance the functional capacity of the material. For example, alumina or zirconium phosphate can be recharged and restored to functional capacity by passing a solution containing the appropriate amount of solutes over the alumina or zirconium phosphate during a recharging process. Similarly, a rechargeable section or module can be recharged by passing the necessary solution through the section or module to restore the functional capacity of the module or section. In contrast, a replenishable sorbent material, in which its functional capacity has been reduced, is required to be replenished as described herein. Urease can be adsorbed by alumina, silica, or by combinations thereof wherein any such composition is rechargeable as defined herein.

[000102] In addition to introducing urease to a sorbent cartridge, the first and second aspects of the invention further allow an introduction of an amount of urease solution into any fluid flow path of a dialysis system. The fluid flow path can be appurtenant to a fluid entry point or inlet of a sorbent cartridge. The fluid flow path can also be any particular defined direction of fluid inside the sorbent cartridge. The urease solution can travel through the fluid flow path until the urease solution contacts any known urease binding material, such as alumina, silica, or a combination thereof, in a sorbent cartridge. The urease can then be adsorbed by the alumina, silica, or combination thereof, where the urease can stay for the duration of dialysis, thereby recharging the alumina, silica, or combination thereof. The urease can be immobilized or bound by any known means or material known by those of ordinary skill such as electrostatic or enzymatic binding. The urease can further be bound by any intermolecular interaction such as van der Waals forces. By adding fresh urease in this fashion, urease can be added to either open or closed sorbent systems. Providing urease via a urease introducer such as a urease injection port or tray, the sorbent cartridge can be shipped or stored without the urease present, while the urease can be added prior to, during, or after the sorbent cartridge is used. The adjustable aspect

of urease introduction can reduce costs associated with the complexity and timing of manufacturing a sorbent cartridge containing urease. Notably, depending on such factors as the formulation and the storage state of the urease, the urease may have a limited shelf life. Moreover, the sorbent cartridge can be stored for long periods of time without problems to the viability of the urease by injecting the urease just prior to starting dialysis.

[000103] In particular, a sorbent cartridge can be replenished with fresh urease for each dialysis session wherein replenishing the urease in the sorbent cartridge can result in the recharging of other sorbent materials in the sorbent cartridge. For example, an alumina, silica substrate, or combinations thereof, which bind urease, in the sorbent cartridge, can be “recharged” and then “replenished” with fresh urease. Thereby, a single cartridge design with all non-water soluble components can be provided to simplify design and reduce cost per session wherein the urease can be re-introduced back into the sorbent cartridge whenever the amount of urease in the sorbent cartridge is reduced as additional functional capacity is needed.

[000104] The functional amount of the urease may be reduced in several ways: (1) the functional amount of urease may be reduced if the urease is stripped off of the sorbent cartridge due to the recharging of other sorbent materials, (2) by leaching out during dialysis, or during maintenance of the sorbent cartridge, or (3) by modification or rearrangement of the urease structure to make the urease less active.

[000105] One non-limiting embodiment of a sorbent cartridge of the first and second aspects of the invention with a urease injection port as the urease introducer is shown in FIG. 1. A first section of the sorbent cartridge can contain sorbent materials such as zirconium phosphate or zirconium oxide. A second section of the sorbent cartridge can be, for example, a sorbent module **11** that during operation can contain alumina, silica, or a combination thereof, and urease arranged as a layer, for example a urease and alumina or silica layer **12**, or optionally, a urease layer (not shown). The urease can be bound to the alumina, silica, or combination thereof, layer

covalently, electrostatically, by adsorption, or by any known methods or compositions. An additional layer of alumina, silica, or a combination thereof, not having any bound urease can be positioned after the urease/alumina or silica layer in the direction of fluid flow in order to reduce urease migration.

[000106] In any embodiment of the first and second aspects of the invention, the module **11** can comprise the entire sorbent cartridge with the other sorbent materials (not shown) arranged in the same module **11**. In any embodiment of the first and second aspects of the invention, internal separators (not shown) can be placed within the sorbent modules to contain and physically separate the sorbent materials from each other. The separation can be formed as layers. Fluid can flow into the sorbent module **11** through inlet connector **14** and exit through outlet connector **15**. The urease can be supported by the alumina, silica, or a combination thereof, which adsorbs the urease and keeps the urease within the sorbent module. A first section of the sorbent cartridge (not shown) can contain an amount of other sorbent materials. In any embodiment of the first and second aspects of the invention, one or more of the other sorbent materials can be recharged, such as zirconium phosphate. During recharging of the other sorbent materials, the urease can be stripped from the alumina, silica, or combination thereof, reducing the amount of urease in the sorbent module **11**. Sorbent module **11** can be adapted to receive an amount of urease that can be adjusted as required based on specific parameters. The parameters can be related to a number of factors such as patient weight, urea load, dialysis time, *etc.* The parameters can result in different rates and amounts of urease required per session. Once the amount of urease within the sorbent module **11** is reduced by the recharging process, or any other process that can reduce the amount of urease within the sorbent module **11**, an amount of urease can be injected into the sorbent module **11** through the urease injection port **13** at injection site **16**, and enter the urease and alumina, silica, or combination thereof layer **12**. The urease injection port **13** can be in fluid communication with the sorbent module **11**. The urease can be

immobilized within the layer **12** where alumina, silica or a combination thereof within the sorbent module **11** can adsorb the urease, thereby recharging the alumina, silica, or combination of alumina or silica. In this way, the alumina, silica, or combination of alumina and silica, layer **12** can be permanently housed in the sorbent module **11**, and a fresh amount of urease conveniently injected before each dialysis session. In any embodiment of the first and second aspects of the invention, the amount of urease added to the sorbent module can be varied depending on the blood urea nitrogen (BUN) levels and the size of the patient.

[000107] In any embodiment of the first and second aspects of the invention, the urease injected can be a solution of urease. The invention is adaptable to a wide range of fluids. The fluid of the solution can be water, buffer, priming solution, or any other fluid capable of dissolving the urease.

[000108] In any embodiment of the first and second aspects of the invention, other sorbent materials can be rechargeable. The urease injection system can allow for the sorbent cartridge to be a solid, fixed, structure. The sorbent materials, other than urease, can be recharged by passing a solution containing the appropriate amount of solutes through the sorbent cartridge. The urease, although removed during this process, can then be replenished by injecting new urease through the urease injection port. This allows the urease within the sorbent cartridge to be fully replenished, without the need to remove or disassemble the sorbent cartridge in order to refill the cartridge and respective modules or components with new urease. The non-water soluble sorbent materials can all be recharged by passing through the sorbent cartridge a solution containing the appropriate solutes, while the alumina, silica, or a combination thereof, can be recharged via the introduction of urease, which binds the alumina, silica, or a combination thereof, using the urease introduction system of the present invention. In any embodiment of the first and second aspects of the invention, the sorbent cartridge can be a single fixed, durable column that allows for recharging of all of the sorbent materials within the sorbent cartridge except for urease, and for

addition of urease by injection into the column. In this way, the sorbent cartridge does not need to be replaced.

[000109] In any embodiment of the first and second aspects of the invention, a first section of the sorbent cartridge can be multi-use. That is, the sorbent materials within the first section of the sorbent cartridge can be recharged wherein the first section can be used multiple times without the need to replenish any of the materials. In contrast, a second section can be limited to single-use wherein once the second section is no longer suitable for dialysis, the second section can be discarded. However, the single use is not necessarily limited to a single dialysis session. For example, once an amount of a replenishable sorbent material inside the section, such as urease, has been reduced, the sorbent material, such as urease, can be replenished such that the single-use section is suitable for another dialysis session. The replenishment of urease does not render the second section into a multiple-use section because once the non-replenishable components, e.g. alumina are worn out, the single-use section should be discarded. In other words, the terms multi-use and single use refer to the components themselves, and not to the number of dialysis sessions that can be performed using the components or sections.

[000110] In any embodiment of the first and second aspects of the invention, an optional valve **17** can be placed downstream of the urease injection port **13**. The valve **17** can control fluid access from the urease injection port **13** into the sorbent module **11**. The valve **17** allows the system to control the amount of urease that can be injected into the sorbent cartridge, and also the timing of the urease injection.

[000111] In any embodiment of the first and second aspects of the invention, an optional urea detector **18** can be placed in the fluid flow path at some point after the alumina, silica, or combination thereof, and urease layer **12** of the sorbent module **11**. A urea detector **18** can detect urea that has not been converted to ammonia and CO₂ by urease as described herein. The detection of ammonia may not be an indication of the sufficiency or insufficiency of urea

conversion, but rather can indicate that the zirconium phosphate has reached functional capacity. Urea in the spent dialysate after being passed through a urease containing can indicate insufficient urease being present in the sorbent cartridge and that additional urease is required to be added to meet the therapy goals. Urea in the dialysate post-sorbent can signal a need to add more urease into the sorbent cartridge, or can signal that the prior urease addition did not work properly. In any embodiment of the first and second aspects of the invention, the system may give the user an audio or visual alert if the urea detector detects urea in the spent dialysate after passing through the urease containing module.

[000112] In FIG. 2, the sorbent module **21** can be adapted to receive urease or alumina, silica, or a combination thereof, through a slideable urease tray **26**. Fluid can enter the sorbent module **21** through inlet connector **31** and exit the sorbent module through outlet connector **30**. An alumina, silica, or combination thereof, containing layer **28** may be removed through urease tray **26**. A new alumina, silica, or combination thereof, containing layer **28** can then be placed into the urease tray **26** on top of the bottom portion **29** of the urease tray **26**, and the urease tray **26** can slide back into the sorbent module **21**. The alumina, silica, or combination thereof, in operation, will be in space **22**. The alumina, silica, or combination of alumina and silica can be in a solid, fluid or powder form. The slideable urease tray **26** can have openings at the top and bottom (not shown) to allow fluid to pass through the slideable tray **26**. In order to add the necessary urease back into the sorbent module **21**, a urease solution can be injected into the urease injection port **24**, fluidly connected to the sorbent module **21**, and optionally positioned on the inlet connector **31**, by injecting a urease solution through injection site **32**. The urease injection port can be positioned so that the urease solution can be introduced on any part of the dialysis flow path prior to the position of the sorbent cartridge. The urease tray **26** can be connected to the sorbent module **21** in any fashion. For example, the urease tray **26** can be hingeably disposed on an exterior side of the sorbent module **21**; connected to the sorbent

module **21** by a hinge **27** at the side of the urease tray **26**. In any embodiment of the first and second aspects of the invention, the urease tray **26** can be hermetically sealed to prevent contamination or leaking when in a closed position. A hermetic seal can be created with the use of PTFE sealing rings, o-rings, grease or any other material known in the art capable of creating a hermetic seal disposed on the edges of urease tray **26**. In order to remove the alumina, silica, or combination of alumina and silica containing layer **28**, the user can open the urease tray **26** by pivoting the urease tray **26** on the hinge **27**, to place the urease tray **26** in an open position. In any embodiment of the first and second aspects of the invention, the urease tray **26** may have an engagement member (not shown) that can cooperatively engage the sorbent module **21** when closed and thereby resist inadvertent opening during use. In any embodiment of the first and second aspects of the invention, the urease tray **26** may be completely removable, and without any hinges (not shown). Engagement members (not shown) can be disposed on the edges of the urease tray **26** so that the user can remove the urease tray **26** from the sorbent module **21**, but the urease tray **26** will not inadvertently disengage from the sorbent module **21**. In any embodiment of the first and second aspects of the invention, the urease tray **26** can be an annular ring. That is, the urease tray **26** can be a circularly shaped tray around the sorbent module **21**.

[000113] The urease, once injected, can travel in the fluid flow path until the urease contacts the alumina, silica or combination thereof, containing layer **28**, where the urease can be adsorbed. This ensures that a fresh supply of urease is available. The urease addition can be controlled in this manner, ensuring that the urease is properly adsorbed by the alumina or silica and that none of the urease is wasted. The top of the alumina, silica, or combination thereof, layer space **23** can be covered by a material that restricts the flow of urease, thereby ensuring that the urease becomes adsorbed to the alumina or silica. As noted previously, another alumina, silica, or combination, thereof containing layer without bound urease can also be positioned after the alumina, silica, or combination thereof, and urease layer to prevent urease migration.

Optional urea detector **25** can be placed in the fluid flow path after the urease and alumina or silica containing layer **28** to detect the presence of urea in the fluid after passing through the urease and alumina or silica containing layer **28**.

[000114] In any embodiment of the sorbent cartridge of the first and second aspects of the invention, shown in FIG. 2, the alumina, silica, or combination of alumina and silica layer **28** can be in the form of a solid, dense material. In such embodiments of the first and second aspects of the invention, the urease tray **26** can be constructed without a bottom portion **29**, and the alumina, silica, or combination of alumina and silica can be placed in the urease tray **26** without falling through the urease tray **26**. In any embodiment of the first and second aspects of the invention, the sorbent module **21** can receive both of an amount of alumina, silica, or a combination thereof, and an amount of urease in the urease tray **26**. In any embodiment of the first and second aspects of the invention, the urease tray **26** can be configured to contain an amount of solid urease. Optionally, the urease tray **26** can contain an amount of a sorbent material. The user can place the solid urease on the urease tray **26**, so that when shut the solid urease is inside of the sorbent module **21**. The solid urease can then be dissolved by fluid moving through the sorbent module **21** and be immobilized on any material that can immobilize urease known to those of ordinary skill. In any embodiment of the first and second aspects of the invention, the immobilizing material can be alumina, silica or a combination thereof, positioned inside the sorbent module **21**.

[000115] In FIG. 3, the alumina, silica, or combination thereof can be removed or inserted through urease door **44**. The urease door **44** can be hingeably disposed on an exterior side of the sorbent cartridge **41** and can attach to the sorbent cartridge **41** by a hinge **45**. Alumina, silica, or combination of alumina and silica layer **42** can be removed or inserted through the door when opened. An amount of urease can then be injected into an optional urease injection port **43** at injection site **48** in any amount required that can be adjusted depending on the dialysis conditions

The urease can travel through inlet connector **46** to the alumina or silica layer **42**. Fluid can exit the sorbent cartridge through outlet connector **47**.

[000116] In any embodiment of the first and second aspects of the invention, as shown in FIG. 4, the alumina, silica or combination thereof, can be in the form of a solid cake **51**. The solid cake of alumina, silica, or combination of alumina and silica **51** allows for the easy insertion and removal of alumina or silica from a sorbent cartridge. In any embodiment of the first and second aspects of the invention, the solid cake of alumina, silica, or combination of alumina and silica **51** can already have urease adsorbed onto the solid cake **51**. In such embodiments of the first and second aspects of the invention, no urease injection port is necessary in the sorbent cartridge, and the urease introduction can be accomplished by adding the alumina or silica with adsorbed urease directly into the sorbent cartridge. A solid cake of alumina, silica, or a combination thereof **51** can be formed from powdered material by any means known in the art. In any embodiment of the first and second aspects of the invention, the powdered silica or alumina can be formed into a solid cake via compressing and extruding the material with fluid channels allowing fluid to leave the material. In any embodiment of the first and second aspects of the invention, the solid cake of alumina, silica, or a combination thereof, can be housed in a smaller preformed cartridge with rigid walls. The preformed cartridge can be inserted into the sorbent cartridge in the same manner as discussed for the solid cake of material.

[000117] In any embodiment of the first and second aspects of the invention, the urease injection port can be located at any position upstream of the layer containing alumina, silica or a combination thereof. In any embodiment of the first and second aspects of the invention, as shown in FIG's. 1-3, the urease injection port can be located in a fluid loop at a position located before the sorbent module.

[000118] In any embodiments of the first and second aspects of the invention, as shown in FIG. 5, the urease injection port **63** can be located directly on the sorbent module **61**. The

sorbent module **61** can contain an alumina, silica, or combination thereof, layer **62**. Fresh urease can be added to the sorbent module **61** through urease injection port **63** by injecting a urease solution at injection site **66**. The urease solution can enter the sorbent module **61** where the urease will be immobilized by adsorption onto the alumina, silica, or combination of alumina and silica layer **62**. During dialysis, fluid can enter the sorbent module **61** at inlet connector **64**, and exit at outlet connector **65**.

[000119] FIG. 6 shows an embodiment of the first and second aspects of the invention with a pierceable septum instead of a urease injection port. The pierceable septum **73** can be located on a sorbent cartridge **71**. A layer of alumina, silica, or a combination thereof **72** can be placed within the sorbent cartridge **71** to immobilize the urease. The user can inject a solution of urease directly through the pierceable septum **73**, where the urease will be immobilized by the alumina, silica, or combination of alumina and silica **72** and be ready for use in dialysis. During use, dialysate can flow through the inlet connector **74**, through the sorbent cartridge **71** and out through the outlet connector **75**.

[000120] In any embodiment of the first and second aspects of the invention, a tube (not shown) can extend inwardly into the sorbent cartridge **71** from the pierceable septum **73**. The tube can have multiple pores throughout, allowing some of the urease solution injected through the septum **73** to exit the tube into the alumina or silica layer **72** as the urease solution travels, ensuring an even distribution of urease through the alumina or silica layer **72**. The pierceable septum **73** can be located in any position on the sorbent cartridge **71** provided that the pierceable septum **73** is at or upstream of the alumina or silica layer **72**.

[000121] In any embodiment of the first and second aspects of the invention utilizing a urease injection port, any method of injecting the urease solution into the urease injection port is contemplated. For example, a user may fill a syringe with the urease solution and discharge the syringe into the urease injection port. The urease injection port may be covered by a septum,

which can be pierced by the syringe. One of ordinary skill will appreciate that many types of injection ports can be used for the intended purpose of injecting urease. In any embodiment of the first and second aspects of the invention, the urease solution can simply be transferred by any suitable means into the urease injection port, and then pumped into the sorbent cartridge using a system of pumps and actuators. In such embodiments of the first and second aspects of the invention, the urease injection port may be covered with a removable cap that can be removed prior to addition of the urease solution. In any embodiment of the first and second aspects of the invention, the dialysis machine (not shown) can automatically inject the urease into the urease injection port. A urease solution can be provided for within the dialysis machine. Whenever the amount of urease within the sorbent cartridge is insufficient, the machine can automatically inject fresh urease into the urease injection port that travels to a binding layer within the system. The bound urease can then convert urea as needed.

[000122] Sodium chloride or sodium bicarbonate may be introduced into a sorbent cartridge in order to prime the sorbent cartridge for use. Similarly, citric acid may be introduced into the system after a dialysis session for disinfection. The amount of sodium chloride or sodium bicarbonate needed for priming, or the amount of citric acid needed for disinfection, can be significantly greater than the amount of urease needed for a dialysis session. In any embodiment of the first and second aspects of the invention, the urease injection port can be sized to introduce urease. That is, the urease injection port can have a suitable diameter for allowing fluid entry such that the diameter is too small to allow effective priming of the sorbent cartridge using the greater volumes and flow rates required during priming using sodium chloride and sodium bicarbonate. As such, the urease injection port can have a smaller diameter than a priming injection port sized to introduce sodium chloride and/or sodium bicarbonate for priming. The optimal size of the injection port whether for urease or priming fluid can be determined by fluid dynamics. Hence, one of ordinary skill in the art can determine a suitable

diameter of a urease injection port that is sized specifically for the intended use of injection urease solution at a particular volume, concentration, flow rate and time. Possible benefits of a urease injection port having a specified diameter suitable for only urease solution injection are lowered manufacturing costs, tighter tolerances for allowing the injection port to fit into small areas, thus increasing design options of a dialysis system, and inherent safety check to ensure proper usage by an operator.

[000123] In any embodiment of the first and second aspects of the invention, the sorbent module can be part of a modular dialysate regeneration assembly. That is, other modules containing sorbent materials can be attached to each other. In any embodiment of the first and second aspects of the invention, the recharging of the sorbent materials in the module or modules that do not contain urease can be accomplished by simply replacing those modules. Dialysate regeneration refers to the process of treating spent dialysate, containing solutes removed from the patient's blood, with one or more sorbent materials in order to remove specific solutes, such as urea, and thereby generate dialysate that can be reused for dialysis.

[000124] The optional urea detectors described herein can be any detector capable of determining the presence of, or concentration of urea in the fluid after passing through the alumina or silica and urease layers. In any embodiment of the first and second aspects of the invention, the urea detectors can detect the amount of urea in the sorbent cartridge directly by measuring the amount of urea created by the breakdown of urea by the urease. Without being limited to any particular method, there are two general methods for the measurement of urea nitrogen. The diacetyl, or Fearon, reaction develops a yellow chromogen with urea, and this is quantified by photometry. The Fearon reaction has been modified for use in autoanalyzers and generally gives relatively accurate results. In the more specific enzymatic methods, the enzyme urease converts urea to ammonia and carbonic acid. These products, which are proportional to the concentration of urea in the sample, are assayed in a variety of systems, some of which are

automated. One system checks the decrease in absorbance at 340 nm when the ammonia reacts with alpha-ketoglutaric acid. The Astra system measures the rate of increase in conductivity of the solution in which urea is hydrolyzed. The specimen should not be collected in tubes containing sodium fluoride because the fluoride inhibits urease. Also chloral hydrate and guanethidine have been observed to increase BUN values. Alternatively, urea can be measured indirectly by an ammonia detector located downstream of the urease layer and upstream of the zirconium phosphate layer. In general, low or no ammonia detected in fluid after passing through the urease layer but before reaching the zirconium phosphate layer may indicate that the zirconium phosphate has reached functional capacity.

[000125] In any embodiment of the first and second aspects of the invention, a urea detector can detect ammonia in the system that can indicate that zirconium phosphate contained within the system has reached functional capacity. In any embodiment of the first and second aspects of the invention, the amount of ammonia produced can be a function of the zirconium phosphate capacity and the system can determine if zirconium phosphate is required by the system.

[000126] Any method of detecting the amount of urea that is converted to ammonia in the sorbent cartridge is within the scope of the first and second aspects of the invention. In addition to the methods above, the detection can be accomplished by any means known in the art, including but not limited to, the use of an optical sensor, a chemical sensor, a blood urea nitrogen assay, an ammonium sensor, or any combination thereof. Urea in the fluid after the sorbent cartridge can be indicative of a lack of urease in the sorbent cartridge and fresh urease can be added.

[000127] In general, the sorbent cartridge of the first and second aspects of the invention can be adapted to receive an adjustable amount of urease. Any amount of urease may be injected or added as described herein in order to replenish the urease in the sorbent cartridge in adjustable

amounts as required. Moreover, the addition can be done before, after or during dialysis. If the amount or level of urease in the sorbent cartridge or dialysis system becomes insufficient or lower than the required levels during dialysis, the adjustable nature of the addition allows for replenishment of urease in appropriate amounts without the need to stop dialysis. Critically, the adjustability of the amount of urease to be added in-session can provide flexibility in type of treatment delivered and therapy goals. The adjustable amount of urease can further provide for personalization of treatment and also result in a system that can be easily adapted to provide treatment for different patients. Adjustability in urease can reduce waste and tailor treatment to specific goals not possible with systems having not mechanism for adjusting an amount of urease being used during dialysis or across different treatment sessions.

[000128] Any usable concentration of urease within the urease solution to be added is within the scope of the first and second aspects of the invention. In any embodiment of the first and second aspects of the invention, the urease concentration can be between 10 mg/mL and 100 mg/mL. In any embodiment of the first and second aspects of the invention, the urease concentration can be between any of 1mg/mL to 250mg/mL, 15mg/mL to 150mg/mL, 10 mg/mL to 100 mg/mL, or 75 mg/mL to 250 mg/mL. In any embodiment of the first and second aspects of the invention having a urease concentration in the range from about 10mg/ml to about 100mg/ml, one non-limiting, preferred range for the injection volume can be 1.3 ml to 13.3 ml per session assuming 300 unit/mg of urease activity.

[000129] In any embodiment of the first and second aspects of the invention, the urease solution to be added can be provided in a pre-packaged amount. Before a dialysis session, whenever an amount of the urease within the urease module or urease pouch becomes reduced, or after recharging the other sorbent materials, between 1.3 mL and 13.3 mL of urease solution with an activity of 300 unit/mg can be added to ensure a fresh supply of urease within the sorbent cartridge. In any embodiment of the first and second aspects of the invention, the amount of

urease solution added can be between any of 1.5 mL to 3.5 mL, 2.3 mL to 10.3mL, or 5.0 mL to 12.3 mL or more.

[000130] In order to make use of the sorbent cartridge easier, and to enable use by non-trained users, such as patients, the urease can be provided in a separate sorbent container which contains the proper amount of urease to be added. A separate sorbent container containing a urease solution can ensure that the correct amount of urease is added to the sorbent cartridge, while avoiding waste by adding too much urease. In any embodiment of the first and second aspects of the invention, the amount of urease to be added can be based upon the needs of the patient. The amount of urease necessary for a dialysis session can depend on the blood urea nitrogen (BUN) content of the patient's blood. More urease can be added for patients with a higher BUN than for patients with a lower BUN. Heavier patients may also need more urease than patients that are lighter.

[000131] Before each dialysis session, after priming of the dialysis system, after a set number of dialysis sessions, whenever the amount of the urease within the module is reduced, or after each time the rest of the sorbent materials are recharged, the user would only need to inject the contents of the sorbent container into the urease injection port. In any embodiment of the first and second aspects of the invention, the system can prompt the user to inject a fresh urease solution into the sorbent cartridge before each dialysis session, after priming the dialysis system, after a set number of dialysis sessions, or after the other sorbent materials have been recharged. In embodiment of the first and second aspects of the invention, the urease solution injected into the urease injection port can be of a higher concentration. The urease injected can then be diluted by water as the water flows in the fluid flow path into the sorbent cartridge.

[000132] In order to test the effectiveness of urease solution injection for loading urease into a sorbent cartridge, such a with the urease injection port described herein, as opposed to loading urease to a column as a dry powder, several experiments were run. These experiments

are described herein as Examples 1-4. Example 1 refers to the loading of urease onto a column using a dry powder loading procedure. Examples 2 and 3 are the analysis of the urease migration and urea conversion obtained from the dry powder loading procedure of Example 1. Example 4 relates to the loading and analysis of urease onto a column using a urease solution.

Example 1

[000133] An Ace Glass 25 millimeter Adjusta-Chrom Jacketed Column (P/N 5819) was packed with a mixture of 3.001 grams activated alumina (Shandong Luye Co, Lot 20140811-1) and 0.0040 grams of purified urease (Tokyo Chemical Industry, Lot P7DWG-TJ). An additional 9.0070 grams of activated alumina (Shandong Luye Co, Lot 20140811-1) was added to the column and the outlet frit and plunger were adjusted so that no dead space existed above the alumina layer and locked into place. Heated water was circulated through the external jacket of the column to maintain a temperature of 37 °C throughout the experiment. The column was primed by pumping base buffer (115 mMol sodium chloride and 25 mMol sodium bicarbonate) at 15 ml/minute until the liquid level reached the top of the alumina then held for five minute without flow to allow the urease to distribute and bind to the alumina. After the hold period the priming solution flow was restarted at 15 ml/min for an additional 5 minutes to complete the priming sequence. When the priming sequence was completed the column feed was changed to a test solution containing 25 mMol/Liter of urea (Sigma Aldrich) in base buffer. The flow rate was maintained at 15 mL/min for 60 minutes. The column effluent was collected for urease migration analysis and separate 8mL samples were collected after 10, 30 and 60 minutes of test solution flow for urease conversion testing.

Example 2

[000134] A urea challenge solution was made containing 400 mMol/Liter phosphate buffer and 400 mMol/L urea. A 1.8 mL sample from the pooled column effluent from Example 1 was mixed with 1.8 mL of the urea challenge solution and incubated at room temperature for 10

minutes. Ammonium levels in the solution were measured using a Nova BioProfile 300 analyzer every 10 minutes over a period of 50 minutes. The ammonium concentration was plotted as a function of time and a linear regression was performed to determine the urease activity of the solution. The urease activity was then multiplied by the total volume of effluent run through the column to determine the total urease units (IU) that migrated during the test. For Example 1 the result was 53 International Units of migrated urease.

Example 3

[000135] The test samples collected at 10, 30 and 60 minutes in Example one were used for this analysis. A 0.8mL aliquot of test sample was mixed with a 0.8mL aliquot of 400mM/L phosphate buffer and mixed vigorously. The ammonium concentration was determined using the Nova BioProfile 300 analyzer using the automated machine procedure. The results were compared to a standard curve measure in the same way using standard of known concentration. The ammonium concentration in the test sample is used to calculate the percent urea conversion for the urease/alumina reactor. For Example 1 the result was 53.4% urea conversion.

Example 4

[000136] The test system of Example 1 was modified to include a three way valve in the inlet feed line. The three way valve had one port compatible with a luer lock syringe and the other ports connected to the test solution and test column inlet. The Ace Glass 25 millimeter Adjusta-Chrom Jacketed Column was packed with 12.001 grams of alumina (Shandong Luye Co, Lot 20140811-1). A solution of 0.0079 grams urease (Tokyo Chemical Industry, Lot P7DWG-TJ) was mixed in 8.0 mL of base buffer (115 mMol sodium chloride and 25 mMol sodium bicarbonate) to make a solution of approximately 300 IU/mL. The urease was charged into the reactor by injecting 1.3 mL of base buffer, followed by 4.0mL of urease solution and 1.8mL of base buffer. The base buffer was used to fill the inlet line before introducing the urease and to ensure all the urease was flushed out of the inlet feed line and into the alumina. After

introduction of the urease, the column was tested according to the method described in Examples 2-3. The urease migration for this test column was 47 International Units and the urea conversion was 67.4%.

[000137] The results of the experiments in Examples 1-4 are summarized in Table 1. As can be seen in Table 1, the results obtained from the urease solution loading were comparable to the results obtained with dry powder loading. The results demonstrate that a liquid load is possible without all of the enzyme migrating out of the column.

Table 1

Method of Urease Loading	Urease Migration	Urea Conversion
Dry Powder Loading (Example 1)	53 IU	53.4%
Urease Solution Loading (Example 4)	47 IU	67.4%

Sorbent Dialysis

[000138] One non-limiting exemplary sorbent cartridge is shown in FIG. 7. Spent dialysate or fluid can flow from the bottom of the sorbent cartridge **81** to the top of the sorbent cartridge. The first sorbent material the spent dialysate or fluid contacts can be activated carbon **82**. Activated carbon **82** will remove nonionic toxins from the fluid by adsorption. Creatinine, glucose, uric acid, β 2-microglobulin and other non-ionic toxins, except urea, can be adsorbed onto the activated carbon **82**, removing those toxins from the fluid. Other non-ionic toxins will also be removed by the activated carbon **82**. The dialysate or fluid then continues through the sorbent cartridge **81** into the alumina, silica, or combination thereof, and urease layer **83**. The fluid can continue to move through the sorbent cartridge **81** into the hydrous zirconium oxide layer **84**. The hydrous zirconium oxide layer **84** can remove phosphate and fluoride anions, exchanging them for acetate anions. Alternatively, layers **83** and **84** can be reversed wherein dialysate or fluid flows through the sorbent cartridge **81** first to a hydrous zirconium oxide layer

now positioned at **83**, and then continue to move through the sorbent cartridge **81** into the alumina or silica and urease layer now positioned at **84**.

[000139] Urease can catalyze the reaction of urea to form ammonia and carbon dioxide. The result of this is the formation of ammonium carbonate. The phosphate anions present in the fluid can also be exchanged for hydroxide ions on the alumina or silica. As the fluid continues through the sorbent cartridge **81** in FIG. 7, the fluid reaches alumina, silica or combination thereof, layer **85**. The layer of alumina, silica, or a combination thereof **85** can remove any remaining phosphate ions from the fluid and help retain urease within the sorbent cartridge **81**, and in certain configurations this layer **85** can exchange urea for ammonium and other components. The last layer through which the fluid travels can be the zirconium phosphate layer **86**. In the zirconium phosphate layer **86**, ammonium, calcium, potassium and magnesium cations can be exchanged for sodium and hydrogen cations. Ammonium, calcium, potassium and magnesium ions all preferentially bind to the zirconium phosphate, releasing the hydrogen and sodium ions originally present in the zirconium phosphate layer **86**. The ratio of sodium to hydrogen ions released depends on the ratio originally present in the zirconium phosphate layer **86**, and is therefore controllable. The result of the fluid passing through the sorbent cartridge **81** is that the fluid can be regenerated and form clean dialysate that can be safely passed back through a dialyzer to a patient. In any embodiment of the first and second aspects of the invention, potassium, calcium, and magnesium can be added to the clean dialysate to replace any ions which were removed by the sorbent cartridge. The ions can be added and/or controlled via an infusate system that can be positioned on a section of the fluid flow path after the sorbent cartridge.

[000140] In any embodiment of the first and second aspects of the invention, the layers, **82**, **83**, **84**, and **85** can comprise a first section of a sorbent cartridge that can be detached from a second section of the sorbent cartridge comprising layer **86** containing zirconium phosphate.

The precise order of the layers of sorbent materials described in FIG. 7 is flexible, so long as zirconium phosphate is positioned downstream of the alumina or silica. In any embodiment of the first and second aspects of the invention, the sorbent materials within each section of the sorbent cartridge can be intermixed, as opposed to being arranged in layers.

[000141] In any embodiment of the first and second aspects of the invention, a layer of alumina, silica, or a combination thereof, can be placed upstream of the layer of activated carbon and downstream of the urease injection port. This ensures that portions of the urease injected into the sorbent cartridge are not removed from solution by the activated carbon prior to reaching the alumina or silica layer. In any embodiment of the first and second aspects of the invention, the alumina, silica, or combination thereof layer can be downstream of the layer of activated carbon. There is not a requirement that urease binds with alumina or silica in order to function properly. Urease can function in order to breakdown urea into ammonium and carbon dioxide, without the urease being bound to the alumina or silica. Importantly, because urease is water soluble, the urease should bind to some hydrophobic material within the cartridge so that the urease doesn't simply dissolve and pass through the cartridge. Alumina, silica, or a combination thereof, is generally used for this purpose, but any hydrophobic, non-water-soluble material could work for this purpose. In some cases, the urease can bind to the other sorbent materials within the cartridge, such as activated carbon, zirconium phosphate or zirconium oxide, without a reduction in urease activity. In any embodiment of the first and second aspects of the invention, the other sorbent materials, such as activated carbon, zirconium oxide or zirconium phosphate, can bind urease that migrates from the alumina or silica layer while the urease can remain active. In embodiments of the first and second aspects of the invention wherein the activated carbon layer is downstream of the layer of alumina, silica, or a combination thereof, the activated carbon can act as a safety backup, to capture urease that migrates through the alumina or silica and would otherwise leave the sorbent cartridge. In any embodiment of the first and

second aspects of the invention, a carbon loaded filter pad with a pore size large enough to allow urease to pass through the filter can be placed upstream of the layer containing alumina, silica or a combination thereof. The carbon loaded filter pad can help to distribute the fluid flow through the cartridge, and remove trace contaminants in the starting water that could degrade the functionality of the urease. In any embodiment of the first and second aspects of the invention, the carbon loaded filter pad can have a pore size small enough to capture the urease.

[000142] The sorbent materials, other than urease, can be recharged by passing a fluid containing the correct solutes through the material. For example, zirconium phosphate can be recharged by passing a fluid containing hydrogen and sodium ions through the zirconium phosphate. The hydrogen and sodium ions will replace the ammonium, potassium, calcium, magnesium or other ions removed by the zirconium phosphate during dialysis, and thereby place the zirconium phosphate back in condition to be used in sorbent dialysis. Zirconium oxide can be recharged by passing a solution containing acetate ions through the zirconium oxide. The activated carbon can be recharged by passing heated water through the activated carbon. The amount of each of the solutions that must be passed through the respective sorbent materials depends on the amount of sorbent material used. As discussed herein, this process may strip the urease from the alumina or silica, necessitating replenishment of the urease.

[000143] One skilled in the art will understand that various combinations and/or modifications and variations can be made in the dialysis system depending upon the specific needs for operation. Moreover features illustrated or described as being part of an aspect of the invention may be included in the aspect of the invention, either alone or in combination.

We claim:

1. A sorbent cartridge, comprising:
a urease introducer for facilitating replenishment of urease to the sorbent cartridge.
2. The sorbent cartridge of claim 1, wherein the urease introducer is selected from any one of an injection port, a slideable tray, a door, and combinations thereof.
3. The sorbent cartridge of claim 2, wherein the injection port is contained on
(a) an exterior sorbent cartridge section upstream from zirconium phosphate inside the sorbent cartridge, or is
(b) in fluid connection with a fluid entry point of the sorbent cartridge.
4. The sorbent cartridge of claim 2, wherein the slideable tray is adapted to receive urease and has an opening on a top and bottom side to allow for fluid flow.
5. The sorbent cartridge of claim 4, wherein the slideable tray is an annular ring hingeably disposed on the sorbent cartridge having an opened and closed position.
6. The sorbent cartridge of claim 2, wherein the door is hingeably disposed on an exterior side of the sorbent cartridge having an open and closed position to allow for access into an interior of the sorbent cartridge.
7. The sorbent cartridge of claim 2, wherein the urease introduced through the urease introducer is immobilized on a urease-binding material selected from alumina silica, or a combination thereof.
8. The sorbent cartridge of any of claims 1 to 7, further comprising: urease and at least one or more sorbent materials.
9. The sorbent cartridge of claim 8, further comprising: a first section for housing the at least one or more sorbent materials and a second section for housing the urease.

10. The sorbent cartridge of claim 8, wherein the one or more sorbent material is either alumina, silica or a combination thereof.
11. The sorbent cartridge of any of claims 1 to 10, wherein the sorbent cartridge is capable of being adapted to any part of a dialysis flow path.
12. The sorbent cartridge of claim 11, wherein the dialysis flow path is a controlled compliant dialysis flow path.
13. The sorbent cartridge of claim 9, wherein the second section is adapted to receive the at least one or more sorbent material or a modular regeneration assembly containing the one or more sorbent material.
14. The sorbent cartridge of claim 13, wherein the at least one or more sorbent material is selected from the group consisting of activated carbon, hydrous zirconium oxide, ion exchange resin, zirconium phosphate, alumina, silica, and combinations thereof.
15. The sorbent cartridge of claim 2, wherein the injection port has a diameter sized to introduce urease at a flow rate for introducing urease into the sorbent cartridge.
16. The sorbent cartridge of claim 2, wherein the injection port is in fluid communication with the sorbent cartridge and has an optional valve for controlling fluid access into the sorbent cartridge.
17. A method, comprising the steps of:
 - detecting an amount of urea converted by urease inside a sorbent cartridge to ammonia and/or carbon dioxide; and
 - supplying urease to the sorbent cartridge if the amount of urea converted by urease inside the sorbent cartridge to ammonia and/or carbon dioxide is insufficient, wherein the sorbent cartridge is adapted to receive an adjustable amount of urease.

18. The method of claim 17, wherein the step of detecting the amount of urea converted to ammonia and/or carbon dioxide is performed by any one of the means selected from the group consisting of an optical sensor, a chemical sensor, a blood urea nitrogen assay, and combinations thereof.

19. The method of claims 17 or 18, wherein the step of supplying urease is performed by introducing a urease solution with a concentration between any of 1mg/mL to 250mg/mL, 15mg/mL to 150mg/mL, 10 mg/mL to 100 mg/mL, or 75 mg/mL to 250 mg/mL of urease into the sorbent cartridge.

20. The method of any of claims 17 to 18, wherein the step of supplying urease is performed by introducing between any of 1.3 mL to 13.3 mL, 1.5 mL to 3.5 mL, 2.3 mL to 10.3mL, or 5.0 mL to 12.3 mL at an activity of 300 unit/mg of urease activity of a urease solution into the sorbent cartridge.

21. The method of any of claims 17 to 20, further comprising the step of:
recharging the at least one or more sorbent materials housed inside the sorbent cartridge by passing a solution containing an appropriate amount of solutes for recharging the at least one or more sorbent materials through the sorbent cartridge.

22. The method of any of claims 17 to 20, further comprising the step of:
recharging the at least one or more sorbent materials housed inside the sorbent cartridge by replacing one or more modules of a modular regeneration assembly containing an amount of the at least one or more sorbent materials.

AMENDED CLAIMS
received by the International Bureau on 23 October 2015 (23.10.2015)

We claim:

1. A sorbent cartridge, comprising:
a urease introducer for facilitating replenishment of urease to the sorbent cartridge.
2. The sorbent cartridge of claim 1, wherein the urease introducer is selected from any one of an injection port, a slideable tray, a door, and combinations thereof.
3. The sorbent cartridge of claim 2, wherein the injection port is contained on
(a) an exterior sorbent cartridge section upstream from zirconium phosphate inside the sorbent cartridge, or is
(b) in fluid connection with a fluid entry point of the sorbent cartridge.
4. The sorbent cartridge of claim 2, wherein the slideable tray is adapted to receive urease and has an opening on a top and bottom side to allow for fluid flow.
5. The sorbent cartridge of claim 4, wherein the slideable tray is an annular ring hingeably disposed on the sorbent cartridge having an opened and closed position.
6. The sorbent cartridge of claim 2, wherein the door is hingeably disposed on an exterior side of the sorbent cartridge having an open and closed position to allow for access into an interior of the sorbent cartridge.
7. The sorbent cartridge of claim 2, wherein the urease introduced through the urease introducer is immobilized on a urease-binding material selected from alumina silica, or a combination thereof.
8. The sorbent cartridge of any of claims 1 to 7, further comprising: urease and at least one or more sorbent materials.
9. The sorbent cartridge of claim 8, further comprising: a first section for housing the at least one or more sorbent materials and a second section for housing the urease.

10. The sorbent cartridge of claim 8, wherein the one or more sorbent material is either alumina, silica or a combination thereof.
11. The sorbent cartridge of claim 1, wherein the sorbent cartridge is capable of being adapted to any part of a dialysis flow path.
12. The sorbent cartridge of claim 11, wherein the dialysis flow path is a controlled compliant dialysis flow path.
13. The sorbent cartridge of claim 9, wherein the second section is adapted to receive the at least one or more sorbent material or a modular regeneration assembly containing the one or more sorbent material.
14. The sorbent cartridge of claim 13, wherein the at least one or more sorbent material is selected from the group consisting of activated carbon, hydrous zirconium oxide, ion exchange resin, zirconium phosphate, alumina, silica, and combinations thereof.
15. The sorbent cartridge of claim 2, wherein the injection port has a diameter sized to introduce urease at a flow rate for introducing urease into the sorbent cartridge.
16. The sorbent cartridge of claim 2, wherein the injection port is in fluid communication with the sorbent cartridge and has an optional valve for controlling fluid access into the sorbent cartridge.
17. A method, comprising the steps of:
 - detecting an amount of urea converted by urease inside a sorbent cartridge to ammonia and/or carbon dioxide; and
 - supplying urease to the sorbent cartridge if the amount of urea converted by urease inside the sorbent cartridge to ammonia and/or carbon dioxide is insufficient, wherein the sorbent cartridge is adapted to receive an adjustable amount of urease.

18. The method of claim 17, wherein the step of detecting the amount of urea converted to ammonia and/or carbon dioxide is performed by any one of the means selected from the group consisting of an optical sensor, a chemical sensor, a blood urea nitrogen assay, and combinations thereof.

19. The method of claims 17 or 18, wherein the step of supplying urease is performed by introducing a urease solution with a concentration between any of 1mg/mL to 250mg/mL, 15mg/mL to 150mg/mL, 10 mg/mL to 100 mg/mL, or 75 mg/mL to 250 mg/mL of urease into the sorbent cartridge.

20. The method of any of claims 17 to 18, wherein the step of supplying urease is performed by introducing between any of 1.3 mL to 13.3 mL, 1.5 mL to 3.5 mL, 2.3 mL to 10.3mL, or 5.0 mL to 12.3 mL at an activity of 300 unit/mg of urease activity of a urease solution into the sorbent cartridge.

21. The method of any of claims 17 to 18, further comprising the step of:
recharging the at least one or more sorbent materials housed inside the sorbent cartridge by passing a solution containing an appropriate amount of solutes for recharging the at least one or more sorbent materials through the sorbent cartridge.

22. The method of any of claims 17 to 18, further comprising the step of:
recharging the at least one or more sorbent materials housed inside the sorbent cartridge by replacing one or more modules of a modular regeneration assembly containing an amount of the at least one or more sorbent materials.

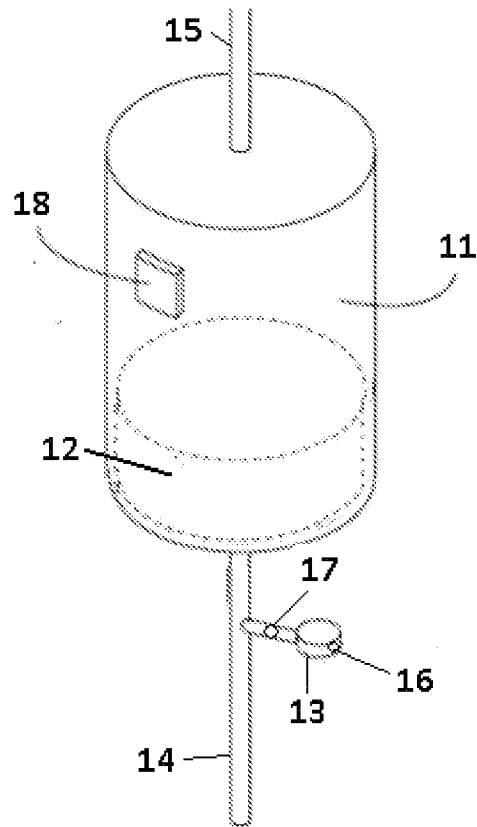


FIG. 1

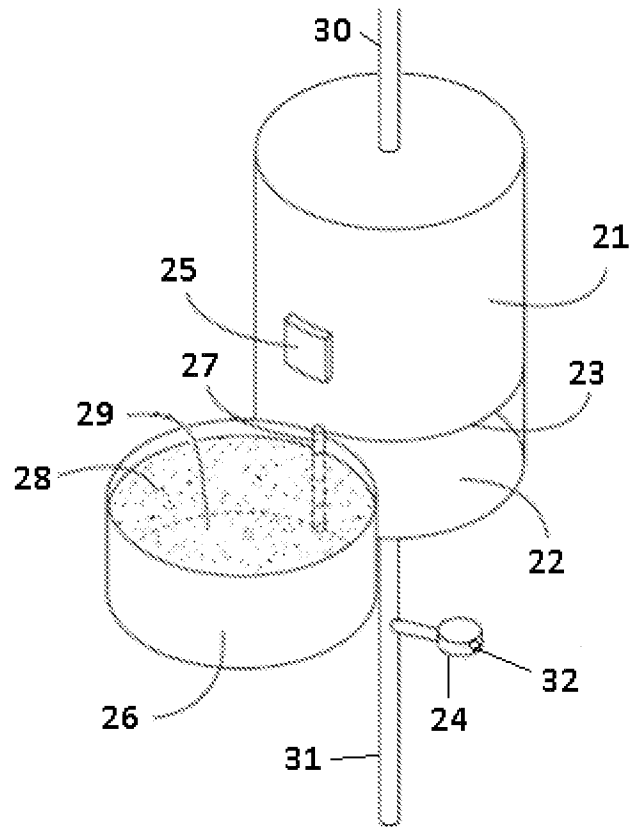


FIG. 2

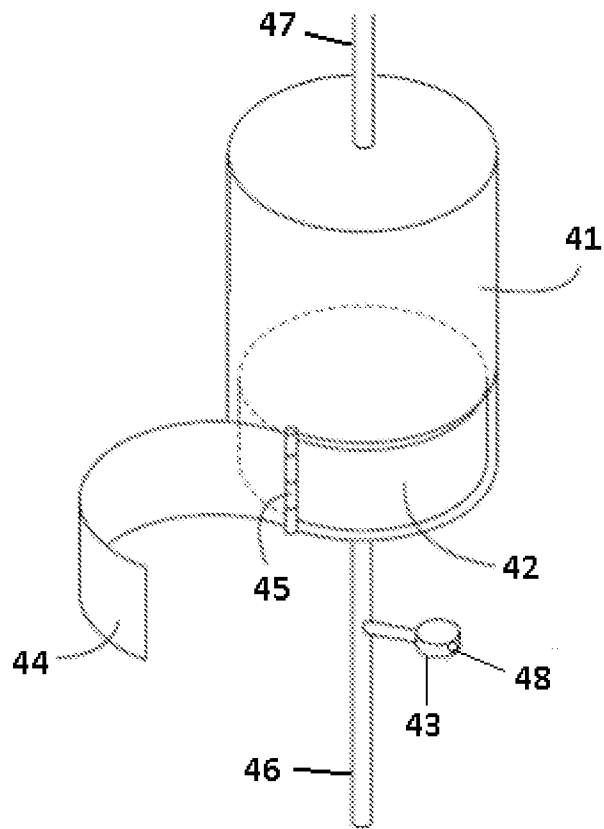


FIG. 3

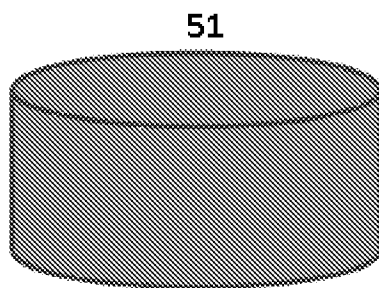


FIG. 4

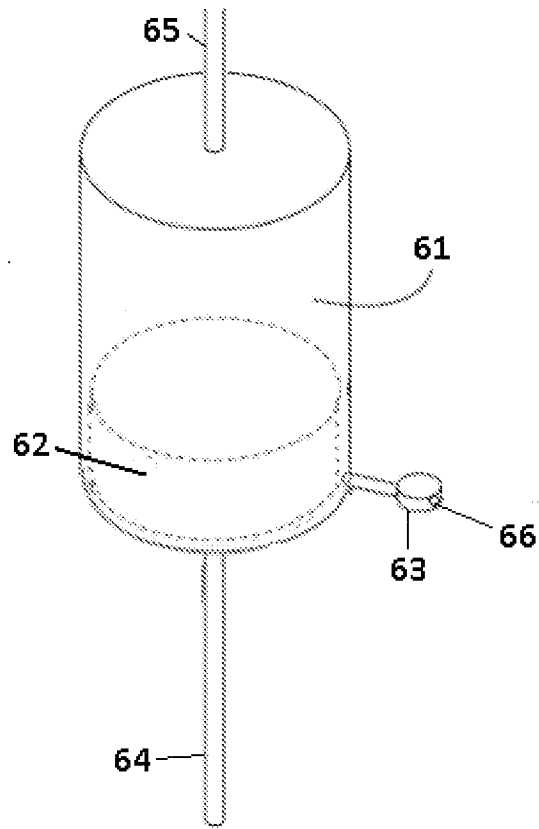


FIG. 5

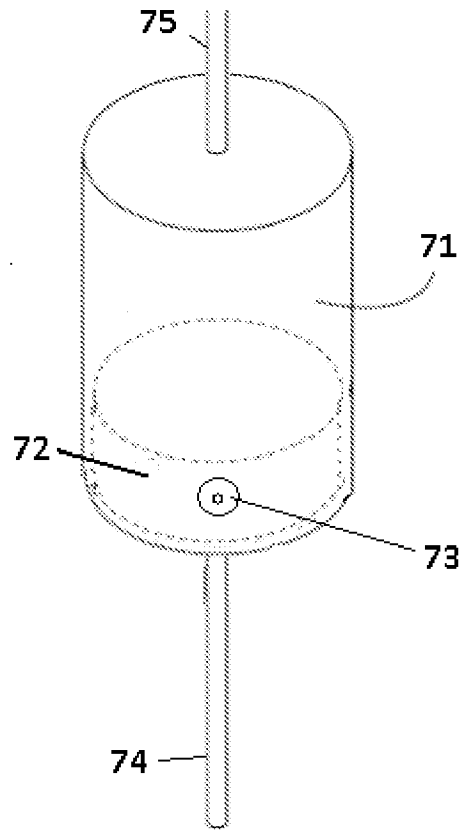


FIG. 6

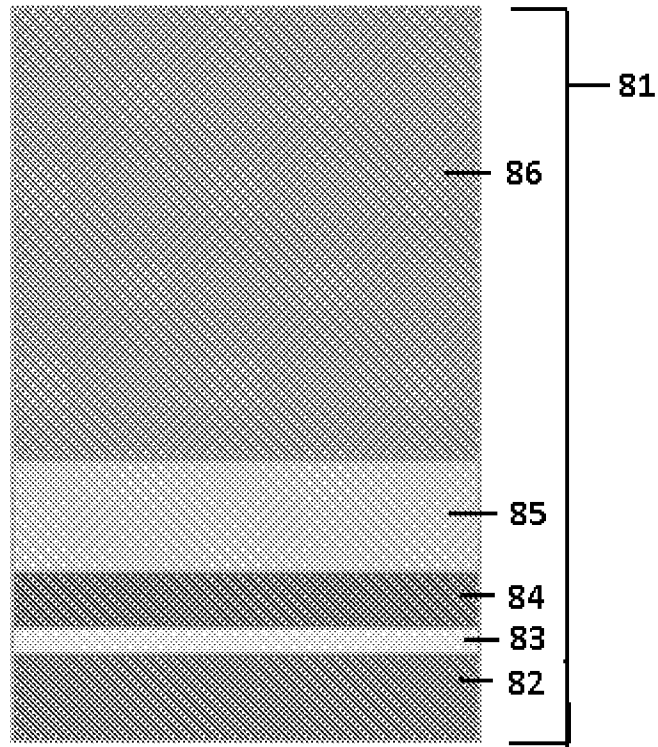


FIG. 7

A. CLASSIFICATION OF SUBJECT MATTER**A61M 1/14(2006.01)i**

According to International Patent Classification (IPC) or to both national classification and IPC

B. FIELDS SEARCHED

Minimum documentation searched (classification system followed by classification symbols)

A61M 1/14; B01D 61/28; A61M 37/00; A61M 5/32; A61M 1/28; B01D 61/30; A61M 37/00; A61M 1/00

Documentation searched other than minimum documentation to the extent that such documents are included in the fields searched

Korean utility models and applications for utility models

Japanese utility models and applications for utility models

Electronic data base consulted during the international search (name of data base and, where practicable, search terms used)

eKOMPASS(KIPO internal) & Keywords: sorbent cartridge, replenish, urease, injection port, slideable tray, door

C. DOCUMENTS CONSIDERED TO BE RELEVANT

Category*	Citation of document, with indication, where appropriate, of the relevant passages	Relevant to claim No.
X	US 2007-0213665 A1 (CURTINE et al.) 13 September 2007 See paragraphs [0007]-[0012], [0022]-[0043]; claims 1-27; and figures 1-5.	1-10, 13-20
A	US 2010-0114012 A1 (SANDFORD et al.) 06 May 2010 See paragraphs [0009]-[0088]; claims 1-29; and figures 1-26.	1-10, 13-20
A	US 7988854 B2 (TSUKAMOTO, TAKUJI) 02 August 2011 See column 3, line 8-column 17, line 48; claims 1-20; and figures 1, 2, 7.	1-10, 13-20
A	US 8096969 B2 (ROBERTS et al.) 17 January 2012 See column 4, line 8-column 12, line 55; claims 1-22; and figures 1-3.	1-10, 13-20
A	US 2006-0241543 A1 (GURA, VICTOR) 26 October 2006 See paragraphs [0007]-[0116]; claims 1-20; and figures 1-13.	1-10, 13-20

 Further documents are listed in the continuation of Box C. See patent family annex.

* Special categories of cited documents:

"A" document defining the general state of the art which is not considered to be of particular relevance

"E" earlier application or patent but published on or after the international filing date

"L" document which may throw doubts on priority claim(s) or which is cited to establish the publication date of another citation or other special reason (as specified)

"O" document referring to an oral disclosure, use, exhibition or other means

"P" document published prior to the international filing date but later than the priority date claimed

"T" later document published after the international filing date or priority date and not in conflict with the application but cited to understand the principle or theory underlying the invention

"X" document of particular relevance; the claimed invention cannot be considered novel or cannot be considered to involve an inventive step when the document is taken alone

"Y" document of particular relevance; the claimed invention cannot be considered to involve an inventive step when the document is combined with one or more other such documents, such combination being obvious to a person skilled in the art

"&" document member of the same patent family

Date of the actual completion of the international search

29 May 2015 (29.05.2015)

Date of mailing of the international search report

29 May 2015 (29.05.2015)

Name and mailing address of the ISA/KR

International Application Division
Korean Intellectual Property Office
189 Cheongsu-ro, Seo-gu, Daejeon Metropolitan City, 302-701,
Republic of Korea

Facsimile No. +82-42-472-7140

Authorized officer

LEE, Jeong A

Telephone No. +82-42-481-8740



Box No. II Observations where certain claims were found unsearchable (Continuation of item 2 of first sheet)

This international search report has not been established in respect of certain claims under Article 17(2)(a) for the following reasons:

1. Claims Nos.:
because they relate to subject matter not required to be searched by this Authority, namely:

2. Claims Nos.: 12
because they relate to parts of the international application that do not comply with the prescribed requirements to such an extent that no meaningful international search can be carried out, specifically:
Claim 12 does not comply with PCT Article 6 because it refers to an unsearchable claim, which does not comply with PCT Rule 6.4(a).

3. Claims Nos.: 11, 21, 22
because they are dependent claims and are not drafted in accordance with the second and third sentences of Rule 6.4(a).

Box No. III Observations where unity of invention is lacking (Continuation of item 3 of first sheet)

This International Searching Authority found multiple inventions in this international application, as follows:

1. As all required additional search fees were timely paid by the applicant, this international search report covers all searchable claims.

2. As all searchable claims could be searched without effort justifying an additional fees, this Authority did not invite payment of any additional fees.

3. As only some of the required additional search fees were timely paid by the applicant, this international search report covers only those claims for which fees were paid, specifically claims Nos.:

4. No required additional search fees were timely paid by the applicant. Consequently, this international search report is restricted to the invention first mentioned in the claims; it is covered by claims Nos.:

Remark on Protest

- The additional search fees were accompanied by the applicant's protest and, where applicable, the payment of a protest fee.
- The additional search fees were accompanied by the applicant's protest but the applicable protest fee was not paid within the time limit specified in the invitation.
- No protest accompanied the payment of additional search fees.

INTERNATIONAL SEARCH REPORT

Information on patent family members

International application No.

PCT/US2015/018023

Patent document cited in search report	Publication date	Patent family member(s)	Publication date		
US 2007-0213665 A1	13/09/2007	AU 2007-223935 A1	13/09/2007		
		AU 2007-223935 B2	18/02/2010		
		AU 2008-289499 A1	26/02/2009		
		AU 2010-201964 A1	03/06/2010		
		AU 2010-201964 B2	31/05/2012		
		CA 2644579 A1	13/09/2007		
		CA 2644579 C	28/10/2014		
		CA 2696511 A1	26/02/2009		
		CN 101394876 A	25/03/2009		
		CN 101394876 B	04/07/2012		
		CN 101784292 A	21/07/2010		
		CN 101784292 B	09/04/2014		
		EP 1991289 A2	19/11/2008		
		EP 2178582 A1	28/04/2010		
		EP 2178582 B1	20/08/2014		
		JP 2009-528897 A	13/08/2009		
		JP 2010-536473 A	02/12/2010		
		JP 5355098 B2	27/11/2013		
		JP 5538225 B2	02/07/2014		
		KR 10-1333775 B1	02/12/2013		
		KR 10-1519050 B1	11/05/2015		
		KR 10-2008-0100848 A	19/11/2008		
		US 2008-0051696 A1	28/02/2008		
		US 8012118 B2	06/09/2011		
		US 8715221 B2	06/05/2014		
		WO 2007-103411 A2	13/09/2007		
		WO 2007-103411 A3	01/11/2007		
		WO 2009-025807 A1	26/02/2009		
		US 2010-0114012 A1	06/05/2010	AU 2009-320025 A1	03/06/2010
				AU 2009-320025 B2	28/02/2013
				CA 2741572 A1	04/06/2010
				CN 102202702 A	28/09/2011
				CN 102202702 B	21/05/2014
CN 102203769 A	28/09/2011				
EP 2342659 A2	13/07/2011				
EP 2344220 A2	20/07/2011				
EP 2344220 B1	24/04/2013				
JP 2012-507373 A	29/03/2012				
JP 5551709 B2	16/07/2014				
MX 2011004631 A	17/06/2011				
US 2010-0115450 A1	06/05/2010				
US 8146010 B2	27/03/2012				
US 8777892 B2	15/07/2014				
WO 2010-062716 A2	03/06/2010				
WO 2010-062716 A3	12/08/2010				
WO 2010-062739 A2	03/06/2010				
WO 2010-062739 A3	12/08/2010				

INTERNATIONAL SEARCH REPORT

Information on patent family members

International application No.

PCT/US2015/018023

Patent document cited in search report	Publication date	Patent family member(s)	Publication date		
US 7988854 B2	02/08/2011	CA 2575731 A1	14/07/2005		
		CA 2575731 C	15/07/2014		
		CN 1897993 A	17/01/2007		
		CN 1897993 B	08/02/2012		
		EP 1701752 A2	20/09/2006		
		EP 1701752 A4	26/09/2012		
		JP 2007-516793 A	28/06/2007		
		JP 4903583 B2	28/03/2012		
		KR 10-2006-0113720 A	02/11/2006		
		TW 200526281 A	16/08/2005		
		US 2005-0150832 A1	14/07/2005		
		US 2009-0020471 A1	22/01/2009		
		US 2012-0018377 A1	26/01/2012		
		US 7435342 B2	14/10/2008		
		US 8911629 B2	16/12/2014		
		WO 2005-062973 A2	14/07/2005		
		WO 2005-062973 A3	08/12/2005		
		US 8096969 B2	17/01/2012	AU 2007-211317 A1	09/08/2007
				AU 2007-211317 B2	31/05/2012
CN 101374558 A	25/02/2009				
CN 101374558 B	12/06/2013				
EP 1979020 A2	15/10/2008				
EP 1979020 A4	30/03/2011				
JP 2009-525071 A	09/07/2009				
JP 5000667 B2	15/08/2012				
MX 2008008892 A	27/11/2008				
NZ 569493 A	22/12/2011				
NZ 593511 A	28/09/2012				
RU 2008135368 A	10/03/2010				
US 2007-0179431 A1	02/08/2007				
US 2010-0217181 A1	26/08/2010				
US 8187250 B2	29/05/2012				
WO 2007-089855 A2	09/08/2007				
WO 2007-089855 A3	24/07/2008				
US 2006-0241543 A1	26/10/2006	AU 2002-337758 A1	10/06/2003		
		AU 2003-270702 A1	08/04/2004		
		CN 101291704 A	22/10/2008		
		CN 101291704 B	20/04/2011		
		EP 1471954 A2	03/11/2004		
		EP 1471954 B1	23/04/2014		
		EP 1919550 A2	14/05/2008		
		EP 1919550 B1	03/07/2013		
		JP 2005-509496 A	14/04/2005		
		JP 2009-502446 A	29/01/2009		
		US 2003-0097086 A1	22/05/2003		
		US 2003-0097087 A1	22/05/2003		
		US 2004-0254514 A1	16/12/2004		
		US 2005-0101901 A1	12/05/2005		

INTERNATIONAL SEARCH REPORT

Information on patent family members

International application No.

PCT/US2015/018023

Patent document cited in search report	Publication date	Patent family member(s)	Publication date
		US 2007-0060786 A1	15/03/2007
		US 2007-0179425 A1	02/08/2007
		US 2008-0021366 A1	24/01/2008
		US 2008-0051689 A1	28/02/2008
		US 2008-0058696 A1	06/03/2008
		US 2008-0217245 A1	11/09/2008
		US 2010-0022936 A1	28/01/2010
		US 2010-0094193 A1	15/04/2010
		US 2011-0125073 A1	26/05/2011
		US 2011-0142700 A1	16/06/2011
		US 6960179 B2	01/11/2005
		US 7309323 B2	18/12/2007
		US 7597677 B2	06/10/2009
		US 7645253 B2	12/01/2010
		US 7828761 B2	09/11/2010
		US 7854718 B2	21/12/2010
		US 7871390 B2	18/01/2011
		US 7892196 B2	22/02/2011
		US 7896829 B2	01/03/2011
		US 7896830 B2	01/03/2011
		US 8137299 B2	20/03/2012
		US 8206331 B2	26/06/2012
		US 8641655 B2	04/02/2014
		WO 03-043677 A2	30/05/2003
		WO 2003-043677 A3	13/05/2004
		WO 2004-026364 A2	01/04/2004
		WO 2004-026364 A3	02/09/2004
		WO 2007-019519 A2	15/02/2007
		WO 2007-019519 A3	07/06/2007
		WO 2008-064174 A1	29/05/2008