



US00D493597S1

(12) **United States Design Patent**
Perry

(10) **Patent No.:** **US D493,597 S**

(45) **Date of Patent:** **** Jul. 27, 2004**

(54) **PALLET JACK BRAKE**

(76) **Inventor:** **Manuel J. Perry**, 4165 Piro Ct.,
Turlock, CA (US) 95382

(**) **Term:** **14 Years**

(21) **Appl. No.:** **29/189,855**

(22) **Filed:** **Sep. 12, 2003**

(51) **LOC (7) Cl.** **12-05**

(52) **U.S. Cl.** **D34/35; D34/38; D34/34**

(58) **Field of Search** **D34/34, 35, 38;**
108/53.1, 53.3, 55.1, 55.3, 55.5, 56.1, 56.3,
57.1, 901, 902; 414/607, 785; 206/386,
595, 598, 599

(56) **References Cited**

U.S. PATENT DOCUMENTS

2,675,936 A *	4/1954	Ridge	217/12 A
3,759,193 A *	9/1973	Branch	108/53.3
D338,311 S *	8/1993	Ausavich et al.	D34/38
5,310,063 A *	5/1994	Skolasinski	206/600
5,404,821 A *	4/1995	Bond	
D370,763 S *	6/1996	Pigott et al.	D34/38
5,722,330 A *	3/1998	Staggers	
5,749,555 A *	5/1998	Albrecht	248/346.01

5,897,286 A *	4/1999	Whittaker	414/607
D410,580 S	6/1999	Kaffenberger, Sr.	
6,042,329 A	3/2000	Marques et al.	
6,079,337 A *	6/2000	Huang et al.	108/56.3
6,206,628 B1 *	3/2001	McDermott	414/607
6,471,465 B2 *	10/2002	Albertyn	414/785
D474,871 S *	5/2003	Bas	D34/38
6,669,161 B2 *	12/2003	Doucet et al.	248/346.02
6,702,122 B2 *	3/2004	Hopkins et al.	211/13.1

* cited by examiner

Primary Examiner—Cynthia E. Ramirez

(74) *Attorney, Agent, or Firm*—Richard L. Mikesell

(57) **CLAIM**

The design for a pallet jack brake, as shown and described.

DESCRIPTION

FIG. 1 is a Front Right perspective view of the design of the instant invention;

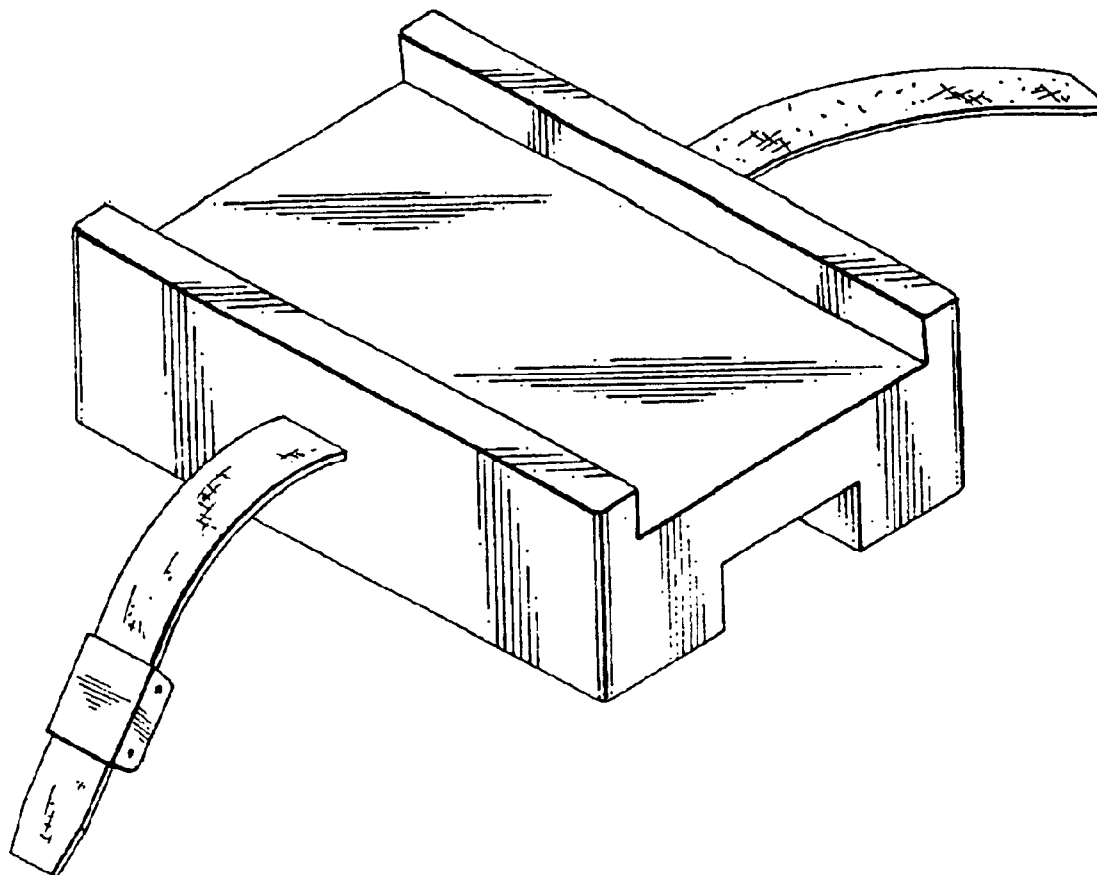
FIG. 2 is a Top plan;

FIG. 3 is a Bottom plan; and,

FIG. 4 is a End elevation, both Ends being the same.

The belt is being shown broken away in the figures for convenience of illustration.

1 Claim, 1 Drawing Sheet



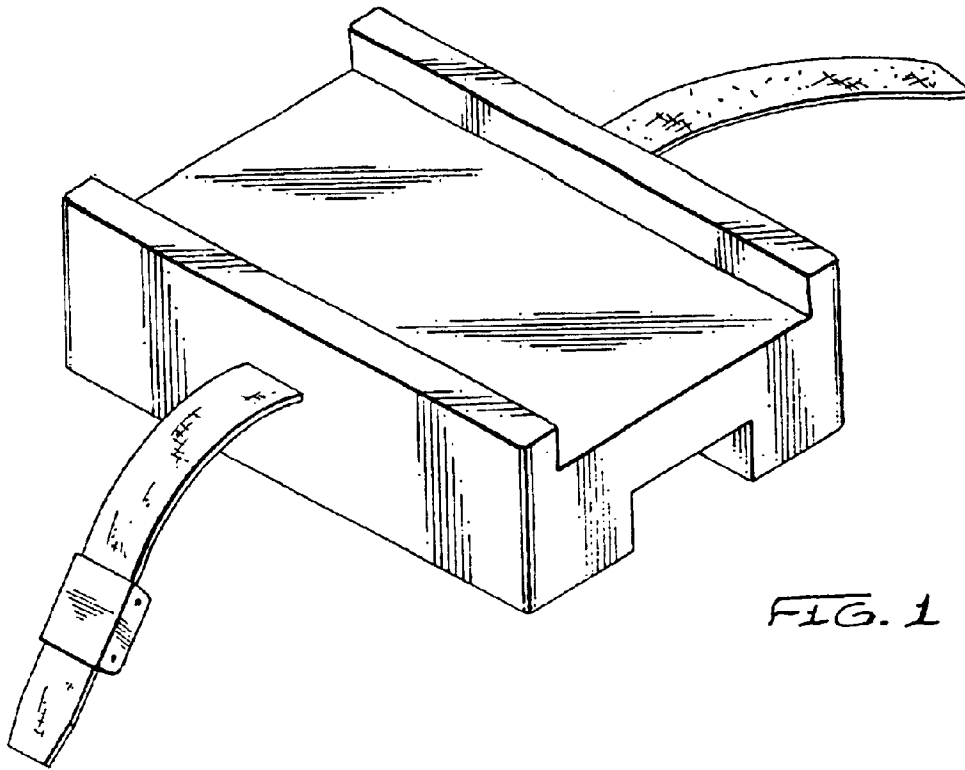


FIG. 1

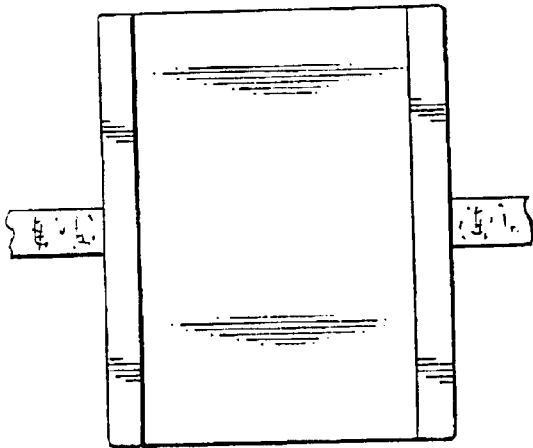


FIG. 2

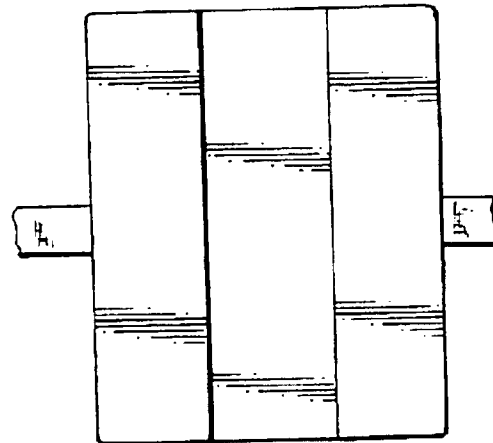


FIG. 3

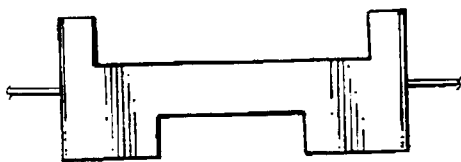


FIG. 4