

(19) World Intellectual Property Organization
International Bureau



(43) International Publication Date
21 September 2006 (21.09.2006)

PCT

(10) International Publication Number
WO 2006/099124 A3

(51) International Patent Classification:
A47B 85/06 (2006.01)

(PL). GRABANIA, Bogdan [PL/PL]; PPH BOHMAR,
Ul. Okocimska 10c, PL-32-800 Brzesko (PL).

(21) International Application Number:
PCT/US2006/008574

(74) Agent: RASKIN, Martin, G.; Wolf, Block, Schorr and
Solis-Cohen LLP, 250 Park Avenue, New York, NY 10177
(US).

(22) International Filing Date: 10 March 2006 (10.03.2006)

(25) Filing Language: English

(81) Designated States (unless otherwise indicated, for every
kind of national protection available): AE, AG, AL, AM,
AT, AU, AZ, BA, BB, BG, BR, BW, BY, BZ, CA, CH, CN,
CO, CR, CU, CZ, DE, DK, DM, DZ, EC, EE, EG, ES, FI,
GB, GD, GE, GH, GM, HR, HU, ID, IL, IN, IS, JP, KE,
KG, KM, KN, KP, KR, KZ, LC, LK, LR, LS, LT, LU, LV,
LY, MA, MD, MG, MK, MN, MW, MX, MZ, NA, NG, NI,
NO, NZ, OM, PG, PH, PL, PT, RO, RU, SC, SD, SE, SG,
SK, SL, SM, SY, TJ, TM, TN, TR, TT, TZ, UA, UG, US,
UZ, VC, VN, YU, ZA, ZM, ZW.

(26) Publication Language: English

(30) Priority Data:
P.373541 11 March 2005 (11.03.2005) PL

(71) Applicant (for all designated States except US): BOBER,
Wieslaw [US/US]; 350 Fifth Ave., Suite 4918, New York,
NY 10118 (US).

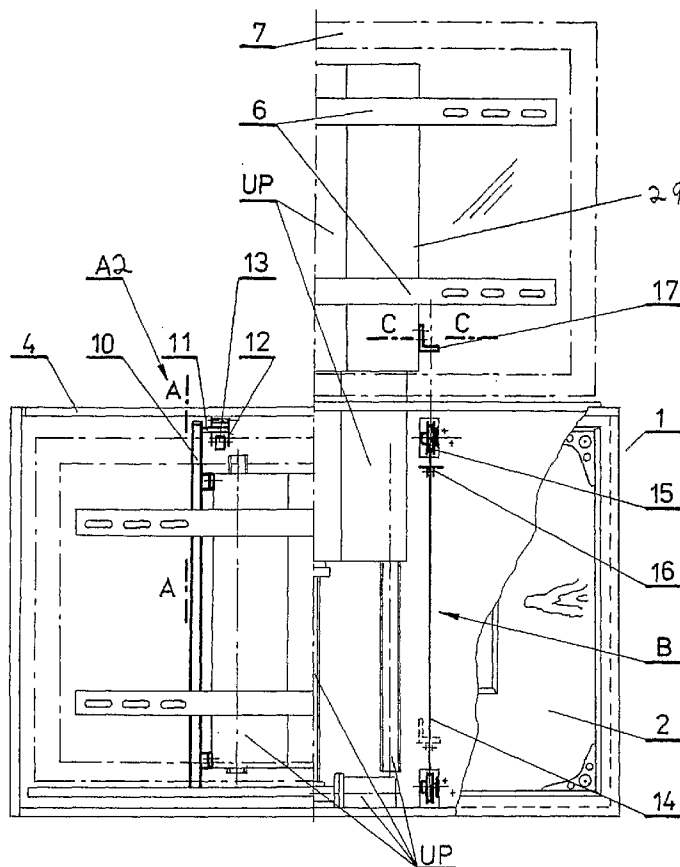
(72) Inventors; and

(75) Inventors/Applicants (for US only): SMIESZEK,
Włodzimierz [PL/PL]; Zam.ul.Brzozowa 7/7, PL-31-050
Krakow (PL). MALEK, Jozef [PL/PL]; Zam.ul. Wegier-
ska 11/2, PL-30-535 Krakow (PL). REPELEWICZ, Jozef
[PL/PL]; Zam.ul. Wegierska 11/5, PL-30-035 Krakow

(84) Designated States (unless otherwise indicated, for every
kind of regional protection available): ARIPO (BW, GH,
GM, KE, LS, MW, MZ, NA, SD, SL, SZ, TZ, UG, ZM,
ZW), Eurasian (AM, AZ, BY, KG, KZ, MD, RU, TJ, TM),
European (AT, BE, BG, CH, CY, CZ, DE, DK, EE, ES, FI,

[Continued on next page]

(54) Title: APPARATUS FOR MOVING A COVER OF FURNITURE



(57) Abstract: The invention is an apparatus for moving a cover of an article of furniture in which a lift device is installed. The cover overlies an object to be raised by the lift device. The lift device includes a movable frame for raising and lowering the object. The apparatus includes a retracting mechanism, a cam mechanism, and a reverse motion mechanism. The retracting mechanism is coupled to a rear edge of the cover by a hinge means and includes at least one guide structured and arranged to guide the hinge means in a vertical plane. The cam mechanism includes at least one cam member fixed to the movable frame of the lift unit. The reverse motion mechanism includes a driver fixed to the movable frame of the lift device. The driver is operatively coupled to the retracting mechanism.

WO 2006/099124 A3



FR, GB, GR, HU, IE, IS, IT, LT, LU, LV, MC, NL, PL, PT,
RO, SE, SI, SK, TR), OAPI (BF, BJ, CF, CG, CI, CM, GA,
GN, GQ, GW, ML, MR, NE, SN, TD, TG).

(88) Date of publication of the international search report:
27 November 2008

Published:

— *with international search report*

INTERNATIONAL SEARCH REPORT

International application No.

PCT/US06/08574

A. CLASSIFICATION OF SUBJECT MATTER

IPC: A47B 85/06(2006.01)

USPC: 312/7.2

According to International Patent Classification (IPC) or to both national classification and IPC

B. FIELDS SEARCHED

Minimum documentation searched (classification system followed by classification symbols)
U.S. : 312/7.2, 319.7, 310, 319.8, 313

Documentation searched other than minimum documentation to the extent that such documents are included in the fields searched

Electronic data base consulted during the international search (name of data base and, where practicable, search terms used)

C. DOCUMENTS CONSIDERED TO BE RELEVANT

Category *	Citation of document, with indication, where appropriate, of the relevant passages	Relevant to claim No.
X	US 5,401,089 (INAGAKI et al.) 28 Mar 1995 (28.03.1998)	1-3,9,11
A	US 5,242,217 (GONNET) 7 Sept 1993 (07.09.1993), whole document	1-18

Further documents are listed in the continuation of Box C.

See patent family annex.

* Special categories of cited documents:

"A" document defining the general state of the art which is not considered to be of particular relevance

"E" earlier application or patent published on or after the international filing date

"L" document which may throw doubts on priority claim(s) or which is cited to establish the publication date of another citation or other special reason (as specified)

"O" document referring to an oral disclosure, use, exhibition or other means

"P" document published prior to the international filing date but later than the priority date claimed

"T" later document published after the international filing date or priority date and not in conflict with the application but cited to understand the principle or theory underlying the invention

"X" document of particular relevance; the claimed invention cannot be considered novel or cannot be considered to involve an inventive step when the document is taken alone

"Y" document of particular relevance; the claimed invention cannot be considered to involve an inventive step when the document is combined with one or more other such documents, such combination being obvious to a person skilled in the art

"&" document member of the same patent family

Date of the actual completion of the international search

11 June 2008 (11.06.2008)

Date of mailing of the international search report


09 SEP 2008

Name and mailing address of the ISA/US

Mail Stop PCT, Attn: ISA/US
Commissioner of Patents
P.O. Box 1450
Alexandria, Virginia 22313-1450

Facsimile No. (571) 273-3201

Authorized officer

AMY J. STERLING 

Telephone No. 571-272-3600