



US00D941282S

(12) **United States Design Patent**
Bai

(10) **Patent No.:** **US D941,282 S**

(45) **Date of Patent:** **** Jan. 18, 2022**

(54) **CASE FOR MOBILE TELEPHONE**

(71) Applicant: **Yu Bai**, Guangdong (CN)

(72) Inventor: **Yu Bai**, Guangdong (CN)

(**) Term: **15 Years**

(21) Appl. No.: **29/748,532**

(22) Filed: **Aug. 31, 2020**

(30) **Foreign Application Priority Data**

Jul. 15, 2020 (CN) 202030382321.9

(51) **LOC (13) Cl.** **14-03**

(52) **U.S. Cl.**
USPC **D14/250**

(58) **Field of Classification Search**

USPC D14/203.3-203.7, 439, 251-253, 447,
D14/217, 240, 238.1, 440, 248, 250;
D13/103, 107-108, 119; D3/201, 218,
D3/247, 249, 269, 273, 301, 303

CPC H04B 1/3888; A45C 11/00; A45C 13/02;
A45C 2011/002; A45C 1/06; H04M
1/0283; H04M 1/0202; A45F 2200/0525;
A45F 2005/026; A45F 2200/0516

See application file for complete search history.

(56) **References Cited**

U.S. PATENT DOCUMENTS

D709,486	S	*	7/2014	Lin	D14/250
D726,170	S	*	4/2015	Ng	D14/250
D763,853	S	*	8/2016	Pearce	D14/440
D766,226	S	*	9/2016	Wu	D14/250
D780,166	S	*	2/2017	Lin	D14/250
D783,590	S	*	4/2017	Wu	D14/252
D791,759	S	*	7/2017	Lin	D14/250
D803,221	S	*	11/2017	Guo	D14/440
D803,222	S	*	11/2017	Cheng	D14/440
D809,454	S	*	2/2018	Zhou	D13/103

D831,030	S	*	10/2018	Gao	D14/440
D843,364	S	*	3/2019	Sasaki	D14/250
D847,817	S	*	5/2019	Cheng	D14/440
D850,456	S	*	6/2019	Armstrong	D14/440
D851,648	S	*	6/2019	Tan	D14/440
D851,649	S	*	6/2019	Tan	D14/440
D862,446	S	*	10/2019	Jia	D14/250
D863,284	S	*	10/2019	Luo	D14/250
D863,286	S	*	10/2019	Hong	D14/250
D868,052	S	*	11/2019	Jia	D14/250

(Continued)

Primary Examiner — Carla J Wright

(57) **CLAIM**

The ornamental design for a case for mobile telephone, as shown and described.

DESCRIPTION

FIG. 1 is a top, front and right side perspective view of a case for mobile telephone showing my new design;

FIG. 2 is a bottom, rear and left side perspective view thereof, showing the rear support stand in a stowed position;

FIG. 3 is a front elevational view thereof;

FIG. 4 is a rear elevational view thereof;

FIG. 5 is a left side view thereof;

FIG. 6 is a right side view thereof;

FIG. 7 is a top plan view thereof;

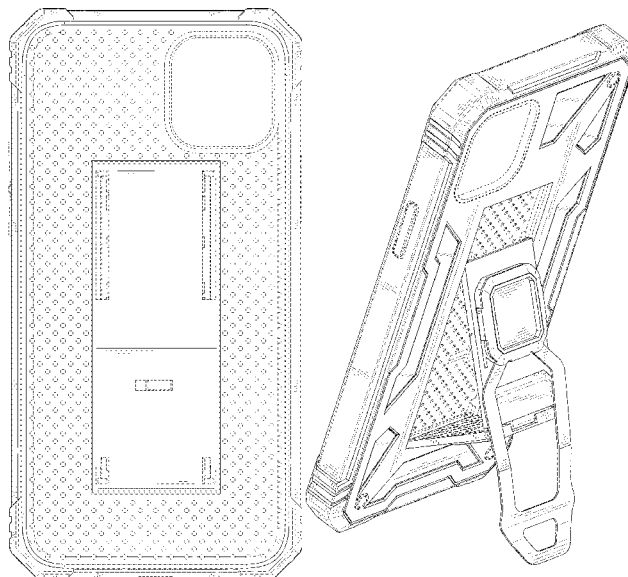
FIG. 8 is a bottom plan view thereof;

FIG. 9 is a top, rear and right side perspective view thereof, showing the rear support stand in an extended position; and,

FIG. 10 is an enlarged view of portion 10 in FIG. 1.

The dot-dash broken lines in FIGS. 1 and 10 form no part of the claimed design and delineate a portion of the claimed design that is shown on an enlarged scale in FIG. 10. The dash-dash broken lines throughout the drawing figures form no part of the claimed design and illustrate portions of the case for mobile telephone that form no part of the claimed design.

1 Claim, 10 Drawing Sheets



(56)

References Cited

U.S. PATENT DOCUMENTS

D868,053	S	*	11/2019	Gao	D14/250
D868,789	S	*	12/2019	Weng	D14/440
D870,089	S	*	12/2019	Batta	D14/250
D879,083	S	*	3/2020	Feng	D14/250
D888,032	S	*	6/2020	Armstrong	D14/250
D892,804	S	*	8/2020	Lin	D14/440
D898,016	S	*	10/2020	Liang	D14/250
D900,828	S	*	11/2020	Chen	D14/440
D904,414	S	*	12/2020	Hyun	D14/440
D913,969	S	*	3/2021	Lin	D13/156
D917,491	S	*	4/2021	Cheng	D14/440
D923,616	S	*	6/2021	Xie	D14/250
D933,643	S	*	10/2021	Liao	D14/250
D934,226	S	*	10/2021	Zhang	D14/250
2017/0045920	A1	*	2/2017	Armstrong	G06F 1/1626
2019/0068230	A1	*	2/2019	Sasaki	H04B 1/3888

* cited by examiner

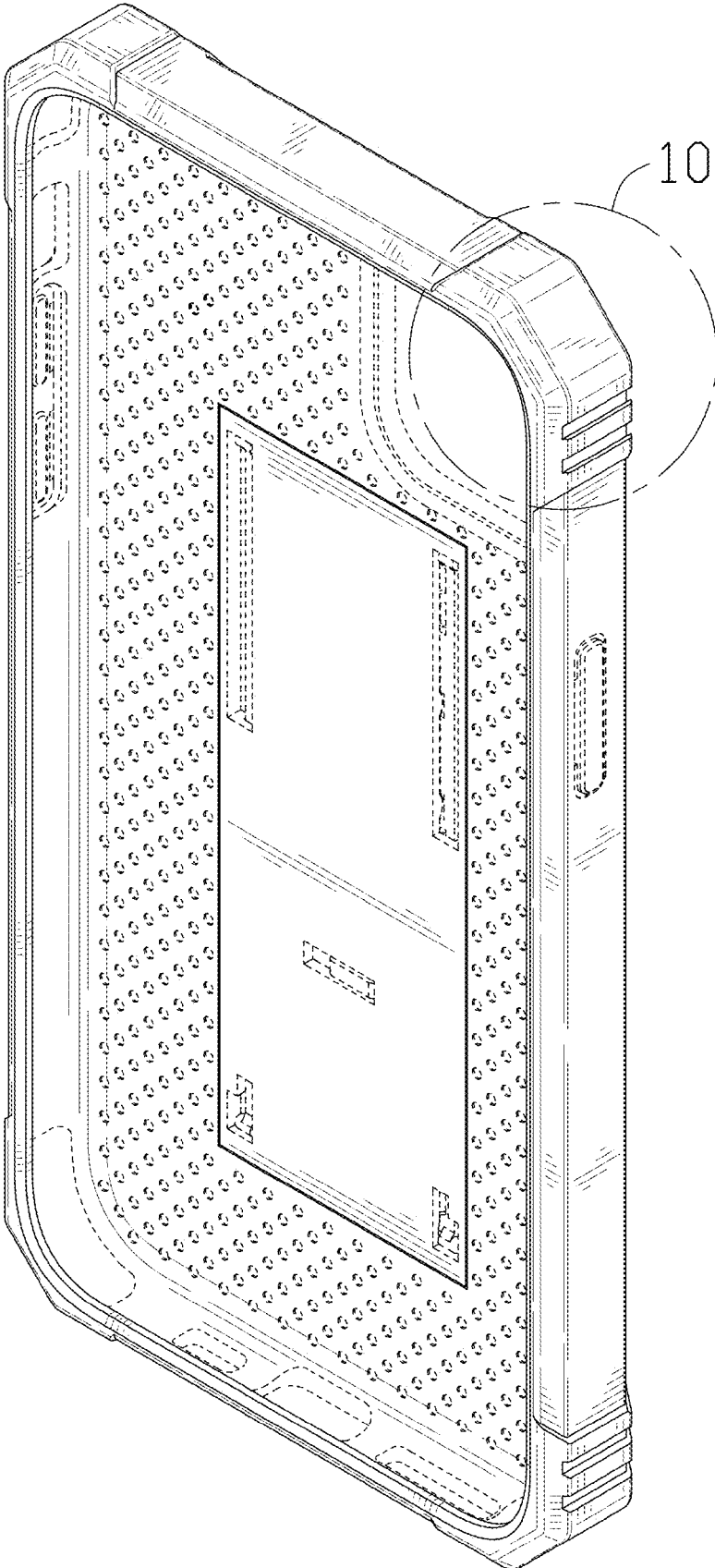


FIG. 1

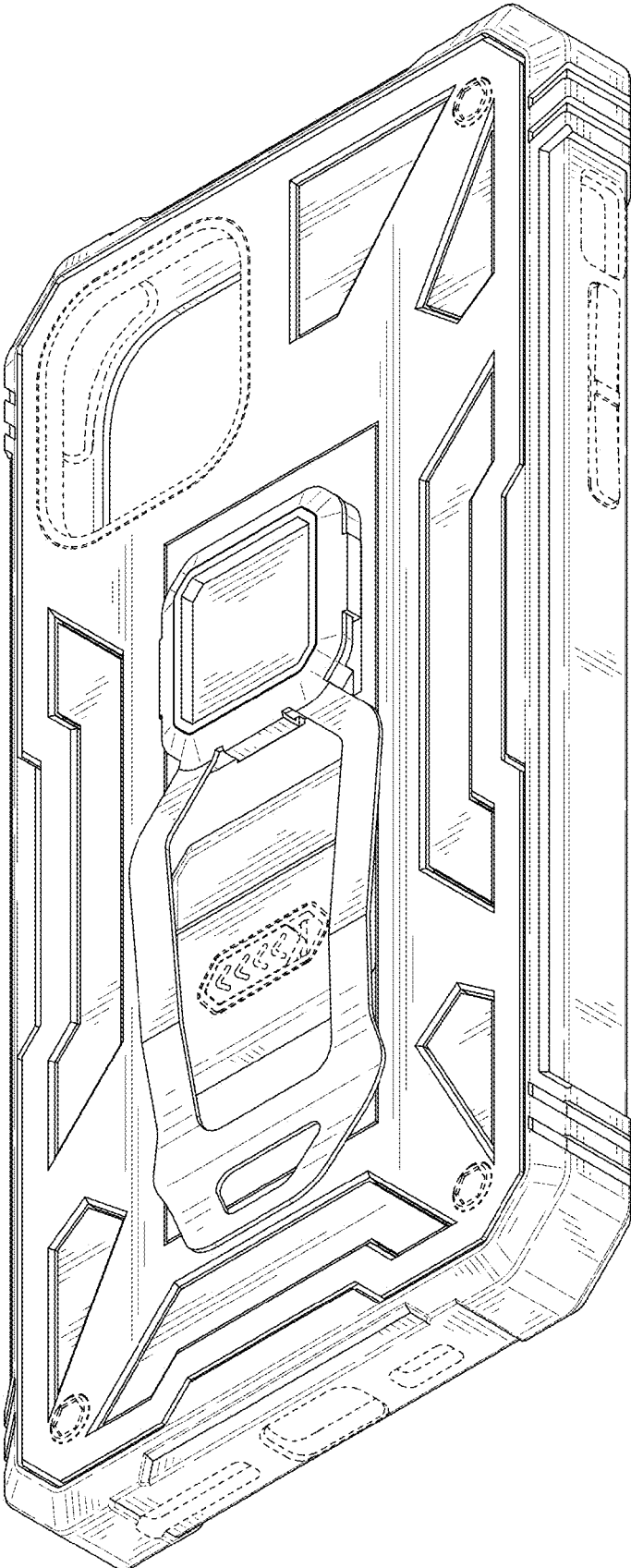


FIG. 2

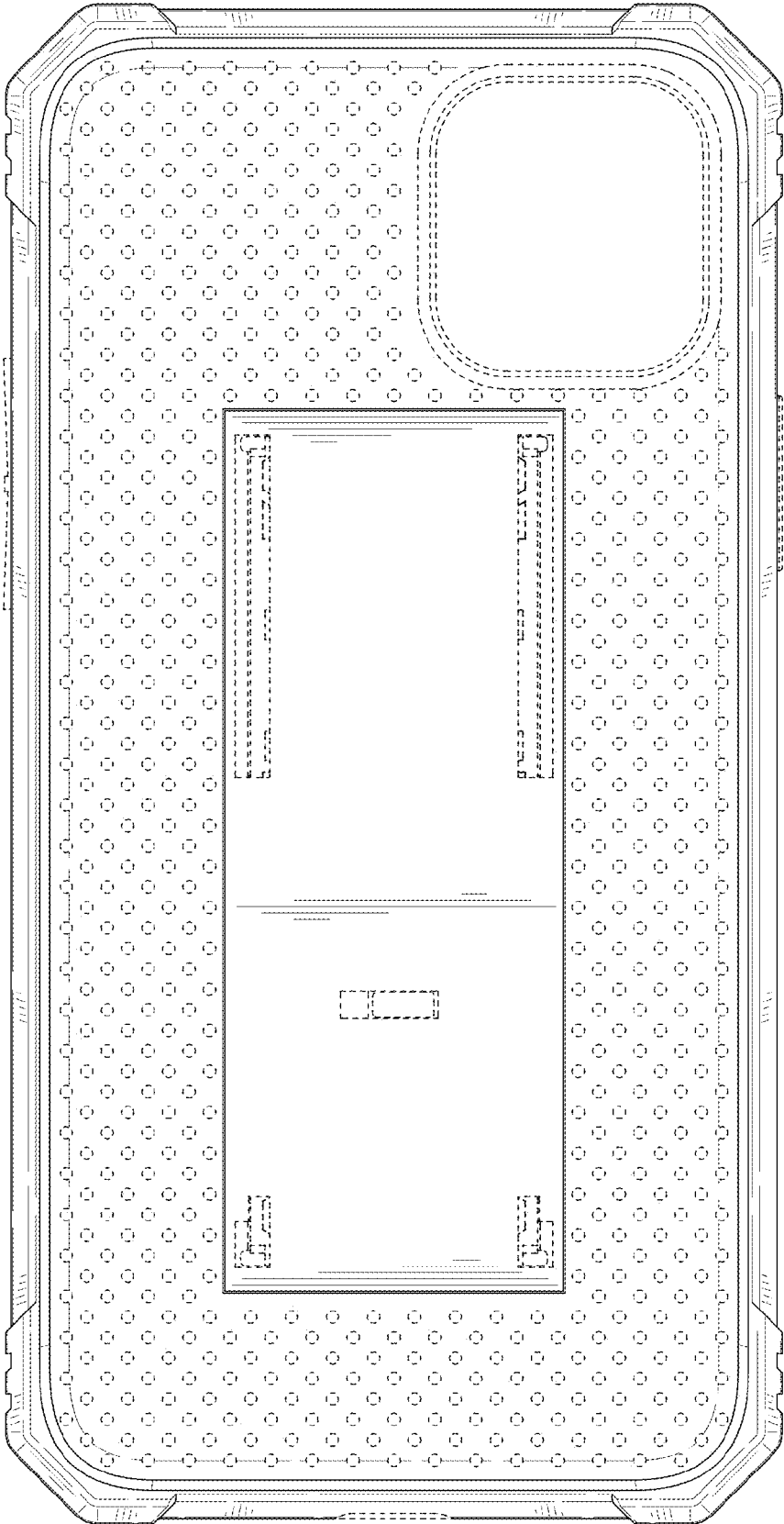


FIG. 3

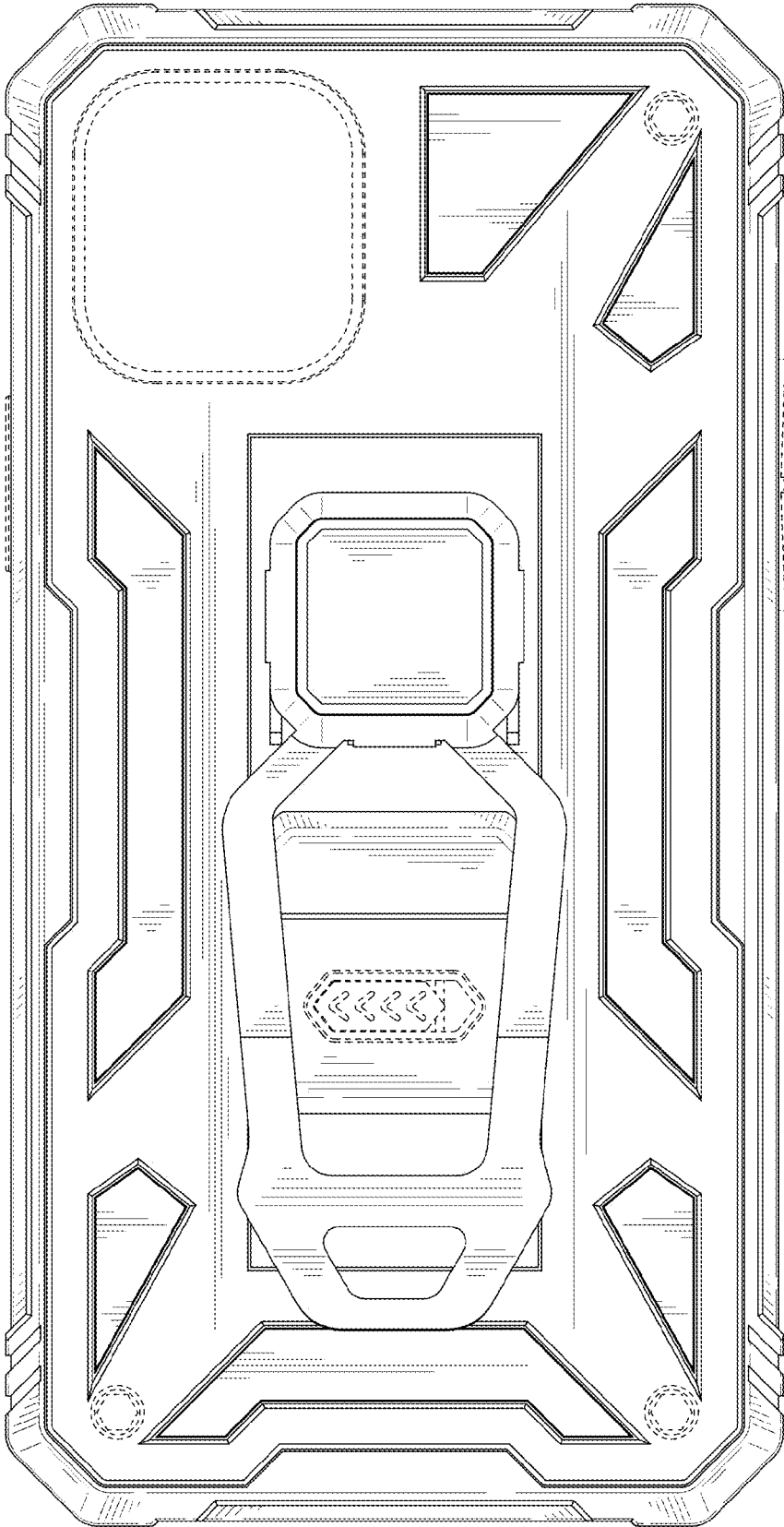


FIG. 4

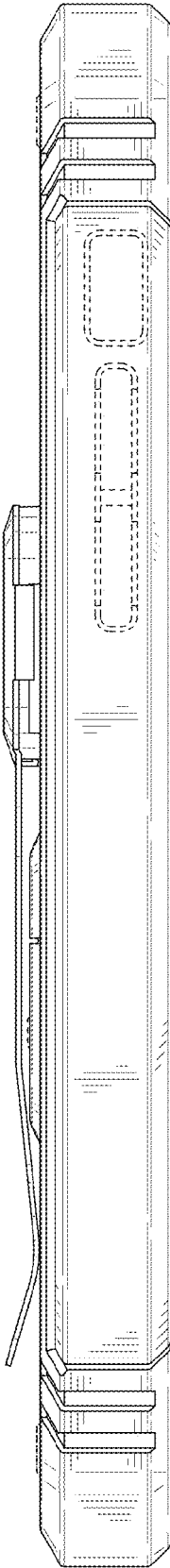


FIG. 5

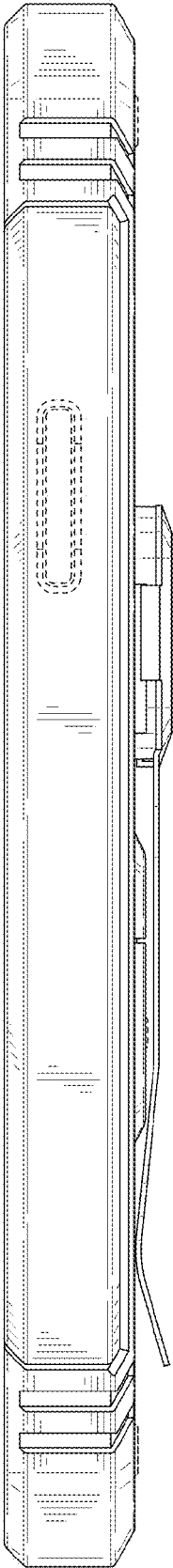


FIG. 6

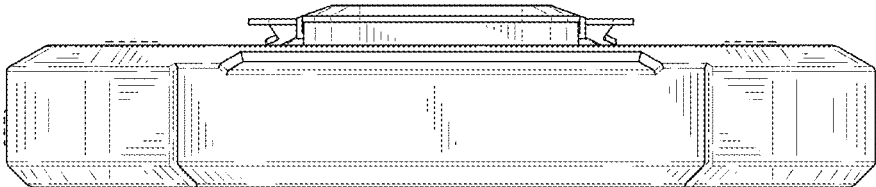


FIG. 7

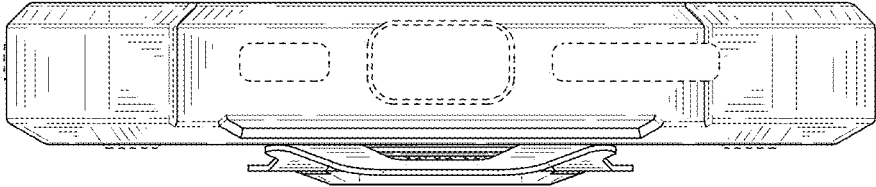


FIG. 8

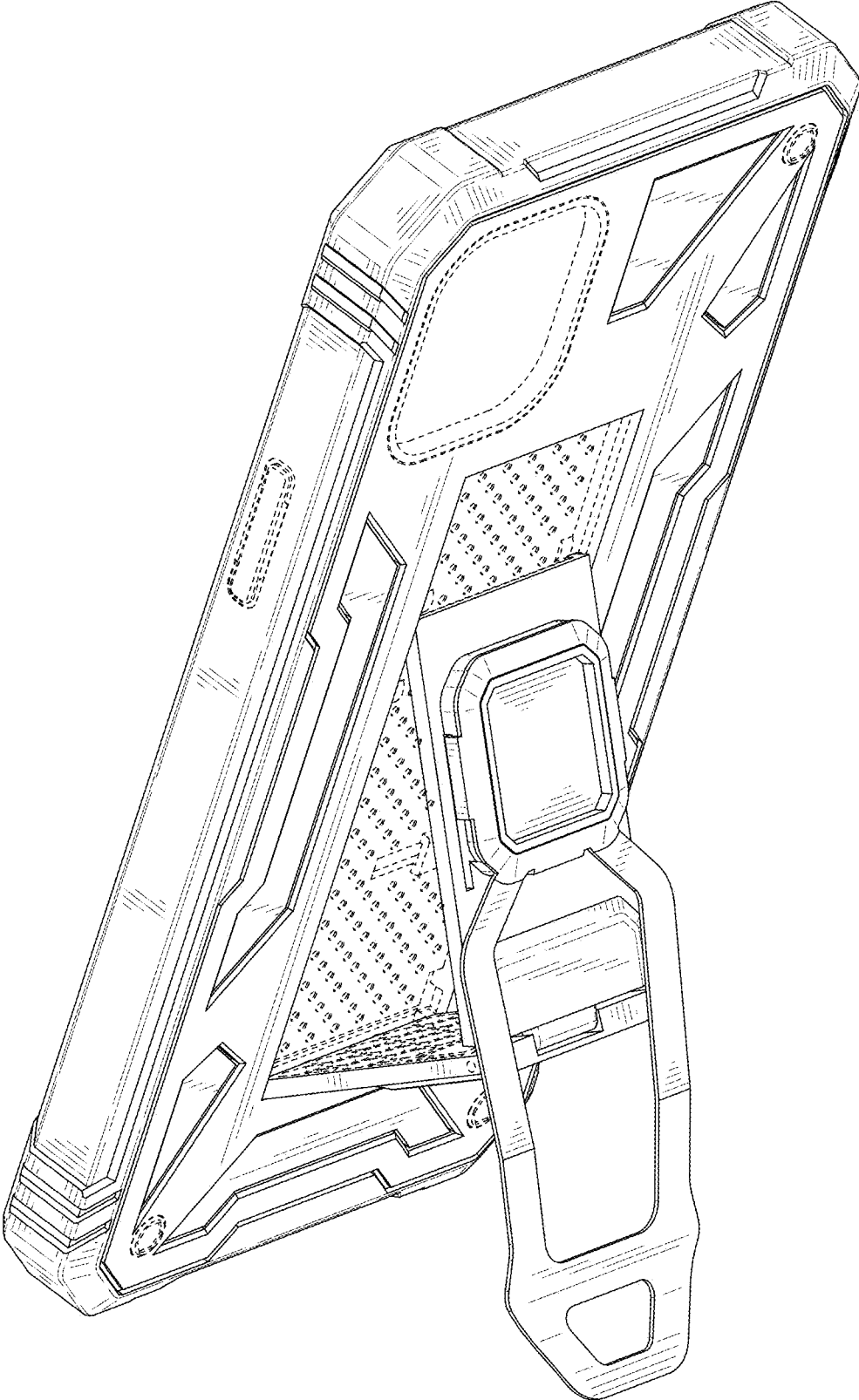


FIG. 9

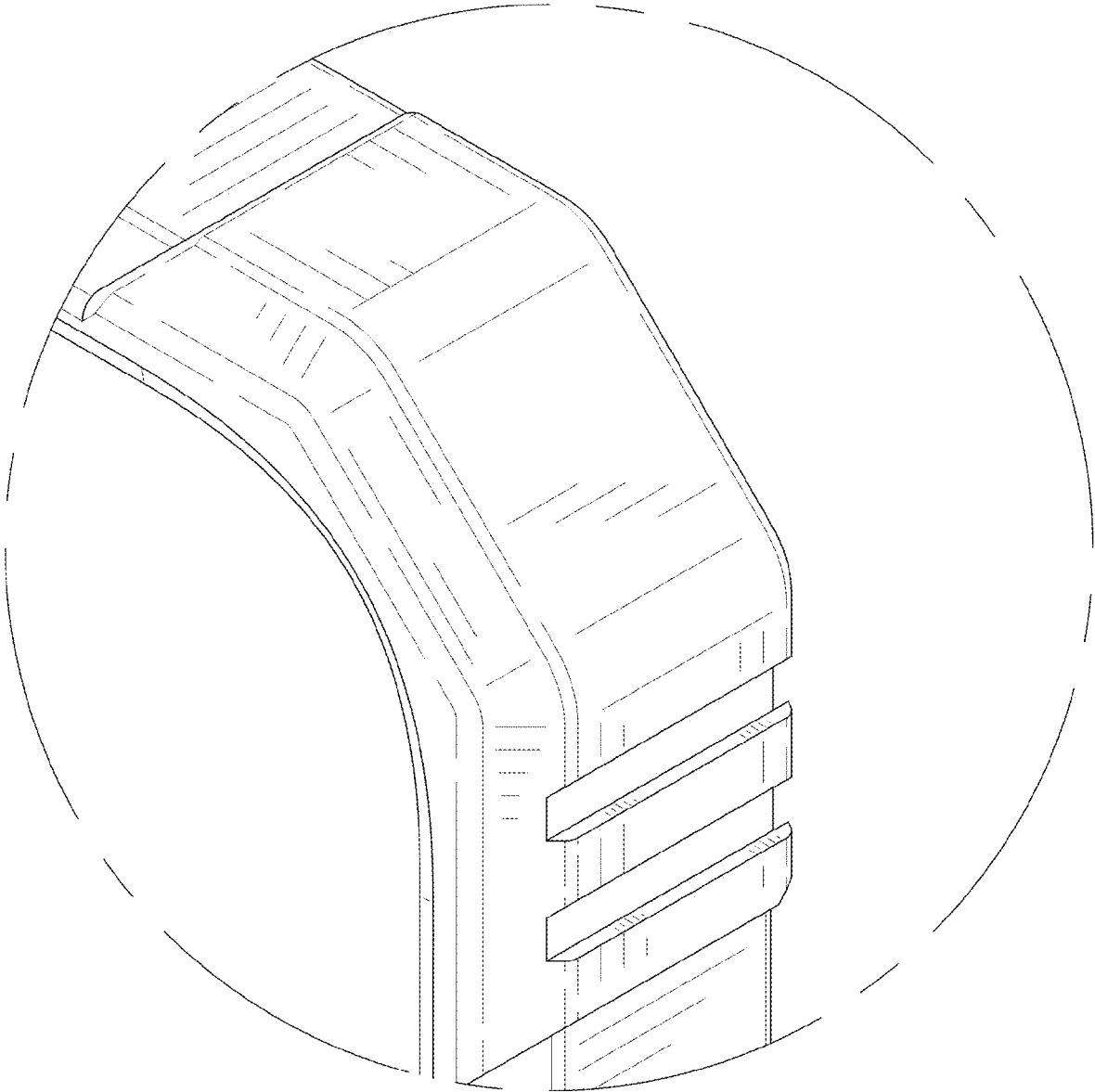


FIG. 10