

(19) World Intellectual Property Organization
International Bureau



(43) International Publication Date
27 July 2006 (27.07.2006)

PCT

(10) International Publication Number
WO 2006/078121 A3

- (51) International Patent Classification:
G11B 20/10 (2006.01) G11B 27/00 (2006.01)
- (21) International Application Number:
PCT/KR2006/000200
- (22) International Filing Date: 18 January 2006 (18.01.2006)
- (25) Filing Language: English
- (26) Publication Language: English
- (30) Priority Data:
60/645,036 21 January 2005 (21.01.2005) US
10-2005-0033485 22 April 2005 (22.04.2005) KR
10-2005-0033484 22 April 2005 (22.04.2005) KR
- (71) Applicant (for all designated States except US): LG ELECTRONICS INC. [KR/KR]; 20, Yoido-dong, Youngdungpo-gu, Seoul 150-721 (KR).

KIM, Byung Jin [KR/KR]; 111-204, Chonggu APT., Hansolmaeul, #110, Jeongja-dong, Bundang-gu, Seongnam-si, Gyeonggi-do 463-914 (KR). **KIM, Kun Suk** [KR/KR]; 707-1103, Chowon APT., #896-6, Pyeongchon-dong, Anyang-si, Gyeonggi-do 431-070 (KR).

(74) Agents: **BAHNG, Hae Cheol** et al.; 15th Floor Yosam Building, 648-23, Yeoksam-dong, Kangnam-gu, Seoul 135-080 (KR).

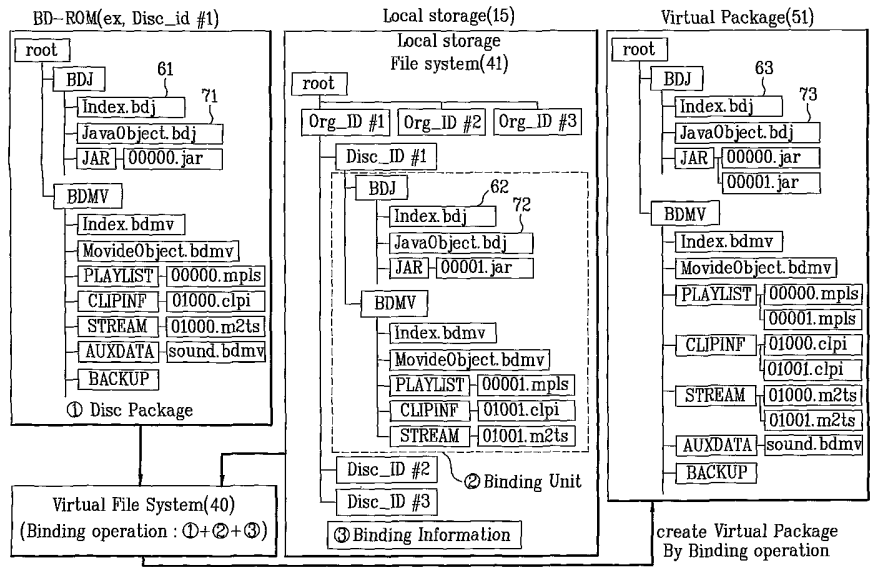
(81) Designated States (unless otherwise indicated, for every kind of national protection available): AE, AG, AL, AM, AT, AU, AZ, BA, BB, BG, BR, BW, BY, BZ, CA, CH, CN, CO, CR, CU, CZ, DE, DK, DM, DZ, EC, EE, EG, ES, FI, GB, GD, GE, GH, GM, HR, HU, ID, IL, IN, IS, JP, KE, KG, KM, KN, KP, KZ, LC, LK, LR, LS, LT, LU, LV, LY, MA, MD, MG, MK, MN, MW, MX, MZ, NA, NG, NI, NO, NZ, OM, PG, PH, PL, PT, RO, RU, SC, SD, SE, SG, SK, SL, SM, SY, TJ, TM, TN, TR, TT, TZ, UA, UG, US, UZ, VC, VN, YU, ZA, ZM, ZW.

- (72) Inventors; and
- (75) Inventors/Applicants (for US only): **SEO, Kang Soo** [KR/KR]; 104-1504, Chowon APT., #898, Pyeongchon-dong, Dongan-gu, Anyang-si., Gyeonggi-do 431-070 (KR). **YOO, Jea Yong** [KR/KR]; 205-808, Ssangyong APT., Garak 2-dong, Songpa-gu, Seoul 138-747 (KR).

(84) Designated States (unless otherwise indicated, for every kind of regional protection available): ARIPO (BW, GH, GM, KE, LS, MW, MZ, NA, SD, SL, SZ, TZ, UG, ZM, ZW), Eurasian (AM, AZ, BY, KG, KZ, MD, RU, TJ, TM), European (AT, BE, BG, CH, CY, CZ, DE, DK, EE, ES, FI, FR, GB, GR, HU, IE, IS, IT, LT, LU, LV, MC, NL, PL, PT,

[Continued on next page]

(54) Title: RECORDING MEDIUM, AND METHOD AND APPARATUS FOR REPRODUCING DATA FROM THE RECORDING MEDIUM



(57) Abstract: A recording medium, and a method and apparatus for reproducing data from the recording medium are disclosed. A disc package for effectively reproducing data having different attributes recorded in the recording medium, and a method and apparatus for reproducing data of the recording medium and data downloaded from a content provider (CP) are disclosed. A first case in which the CP transmits an updated management file, and a second case in which a disc player forms an updated management file are disclosed.

WO 2006/078121 A3



RO, SE, SI, SK, TR), OAPI (BF, BJ, CF, CG, CI, CM, GA,
GN, GQ, GW, ML, MR, NE, SN, TD, TG).

(88) Date of publication of the international search report:
9 November 2006

Published:

— with international search report

For two-letter codes and other abbreviations, refer to the "Guidance Notes on Codes and Abbreviations" appearing at the beginning of each regular issue of the PCT Gazette.

INTERNATIONAL SEARCH REPORT

International application No.
PCT/KR 2006/000200

A. CLASSIFICATION OF SUBJECT MATTER IPC ^B : G11B 20/10 (2006.01); G11B 27/00 (2006.01) According to International Patent Classification (IPC) or to both national classification and IPC		
B. FIELDS SEARCHED Minimum documentation searched (classification system followed by classification symbols) IPC ^B : G11B 20/10, G11B 27/00, G06F 17/00 Documentation searched other than minimum documentation to the extent that such documents are included in the fields searched ---- Electronic data base consulted during the international search (name of data base and, where practicable, search terms used) WPI, INPADOC		
C. DOCUMENTS CONSIDERED TO BE RELEVANT		
Category*	Citation of document, with indication, where appropriate, of the relevant passages	Relevant to claim No.
A	US 2005 010596 A1 (YONEYAMA) 13 January 2005 (13.01.2005) <i>the whole document</i>	1, 12-14, 16, 17
	--	
A	WO 2004/097661 A1 (SAMSUNG) 11 November 2004 (11.11.2004) <i>the whole document</i>	1, 12-14, 16, 17
	--	
A	US 2003 217091 A1 (ECHIGO et al.) 20 November 2003 (20.11.2003) <i>the whole document</i>	1, 12-14, 16, 17

<input type="checkbox"/> Further documents are listed in the continuation of Box C.		
<input checked="" type="checkbox"/> See patent family annex.		
* Special categories of cited documents: "A" document defining the general state of the art which is not considered to be of particular relevance "E" earlier application or patent but published on or after the international filing date "L" document which may throw doubts on priority claim(s) or which is cited to establish the publication date of another citation or other special reason (as specified) "O" document referring to an oral disclosure, use, exhibition or other means "P" document published prior to the international filing date but later than the priority date claimed		
"T" later document published after the international filing date or priority date and not in conflict with the application but cited to understand the principle or theory underlying the invention "X" document of particular relevance; the claimed invention cannot be considered novel or cannot be considered to involve an inventive step when the document is taken alone "Y" document of particular relevance; the claimed invention cannot be considered to involve an inventive step when the document is combined with one or more other such documents, such combination being obvious to a person skilled in the art "&" document member of the same patent family		
Date of the actual completion of the international search 27 July 2006 (27.07.2006)		Date of mailing of the international search report 25 August 2006 (25.08.2006)
Name and mailing address of the ISA/ AT Austrian Patent Office Dresdner Straße 87, A-1200 Vienna Facsimile No. +43 / 1 / 534 24 / 535		Authorized officer GRÖSSING G. Telephone No. +43 / 1 / 534 24 / 386

INTERNATIONAL SEARCH REPORT
Information on patent family members

International application No.
PCT/KR 2006/000200

Patent document cited in search report			Publication date	Patent family member(s)			Publication date
US	A1	2003217091	2003-11-20	JP	A	2003333571	2003-11-21
US	A1	2005010596	2005-01-13	CN	A	1591648	2005-03-09
				JP	A	2005032319	2005-02-03
WO	A1	2004097661	2004-11-11	CN	A	1781095	2006-05-31
				EP	A1	1627319	2006-02-22