



US00D964860S

(12) **United States Design Patent**
Blakeslee et al.

(10) **Patent No.:** **US D964,860 S**

(45) **Date of Patent:** **** Sep. 27, 2022**

(54) **PACKAGE WITH LID**

(71) Applicant: **Kimberly-Clark Worldwide, Inc.**,
Neenah, WI (US)

(72) Inventors: **Raafia S. Blakeslee**, Greenville, WI (US); **Thomas F. Borkovetz**, Hortonville, WI (US); **Jeremy T. Gauger**, Greenville, WI (US); **Ronda N. Korb**, Kiel, WI (US); **Ryan A. Weaver**, Appleton, WI (US); **Bryan Eliot Rolfs**, Chicago, IL (US)

(73) Assignee: **Kimberly-Clark Worldwide, Inc.**,
Neenah, WI (US)

(**) Term: **15 Years**

(21) Appl. No.: **29/771,651**

(22) Filed: **Feb. 24, 2021**

(51) **LOC (13) Cl.** **09-01**

(52) **U.S. Cl.**
USPC **D9/734; D9/449**

(58) **Field of Classification Search**
USPC D9/414, 430, 432, 431, 730, 734;
D3/201, 304, 315; D6/518
CPC A47K 10/185; A47K 10/421; A47K
2010/3266; A47K 10/18; A47K 10/426;
A47K 10/42; B65D 83/0894; B65D 5/72;
B65D 83/0888; B65D 83/0805
See application file for complete search history.

(56) **References Cited**

U.S. PATENT DOCUMENTS

3,967,756 A * 7/1976 Barish A47K 10/421
221/45
D712,751 S * 9/2014 Bechyne D9/734
D719,847 S * 12/2014 Li D9/734
10,278,552 B2 * 5/2019 Ma B65D 83/0805

10,322,854 B1 * 6/2019 Wang B65D 47/0809
D912,514 S * 3/2021 Moon D9/449
D937,087 S * 11/2021 Gauger D9/434
2015/0216378 A1 * 8/2015 Fulscher A47K 10/421
221/45
2016/0113450 A1 * 4/2016 Yamada B65D 75/5894
221/53
2016/0137392 A1 * 5/2016 Yamada A47K 10/426
220/737
2016/0143490 A1 * 5/2016 Yamada A47K 10/426
221/45
2016/0374523 A1 * 12/2016 Santos A47K 10/421
221/1
2017/0129660 A1 * 5/2017 Hsu A47K 10/421
2020/0260922 A1 * 8/2020 Rolfs B65D 47/088

* cited by examiner

Primary Examiner — Lauren R Calve

(74) *Attorney, Agent, or Firm* — Banner & Witcoff, Ltd.

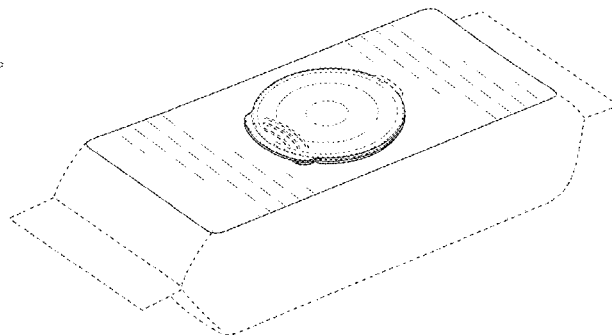
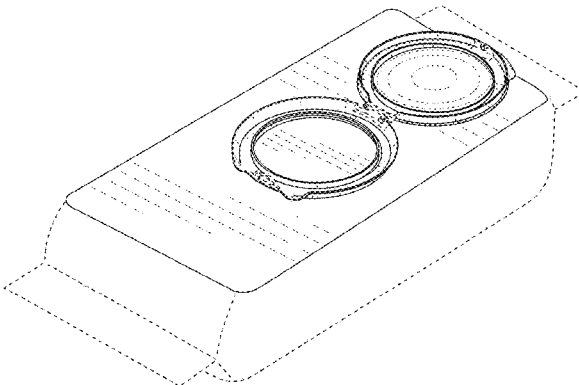
(57) **CLAIM**

The ornamental design for a package with lid, as shown and described.

DESCRIPTION

FIG. 1 is a top, front, right perspective view of the claimed design for a package with lid; FIG. 2 is a front view thereof; FIG. 3 is a back view thereof; FIG. 4 is a left view thereof; FIG. 5 is a right view thereof; FIG. 6 is a top view thereof; FIG. 7 is a bottom view thereof; and, FIG. 8 is a top, front, right perspective view of the claimed design in an alternative configuration. The broken lines immediately adjacent to the shaded area depict boundaries of the claimed design and form no part thereof. The broken lines showing the remainder of the package with lid depict environmental structure and form no part of the claimed design.

1 Claim, 8 Drawing Sheets



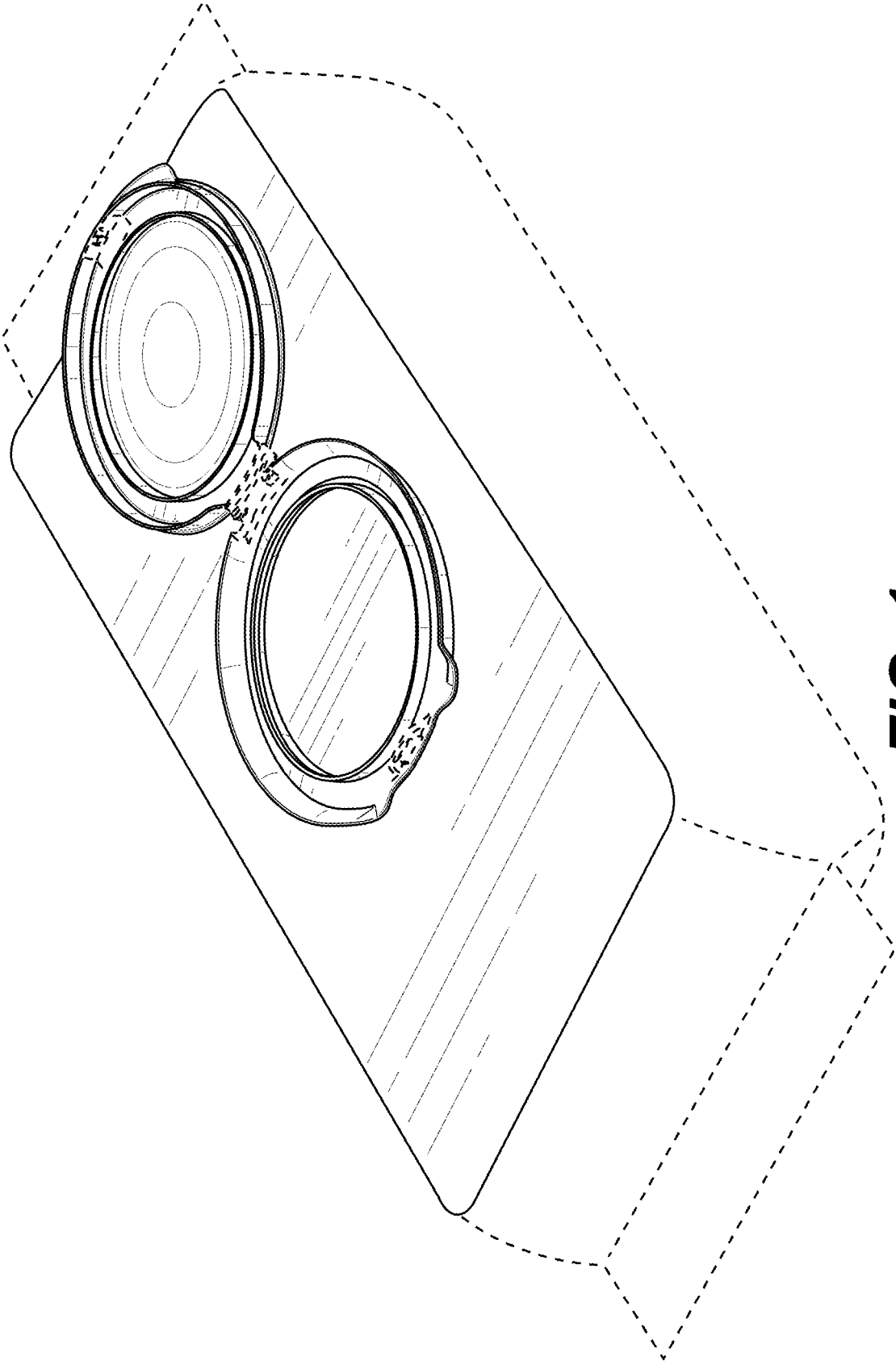


FIG. 1

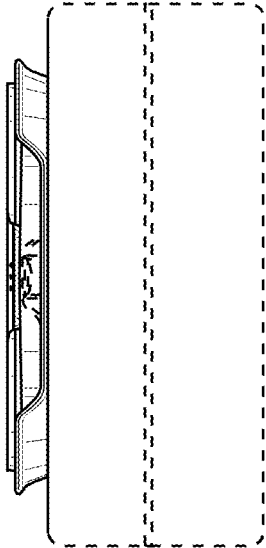


FIG. 2

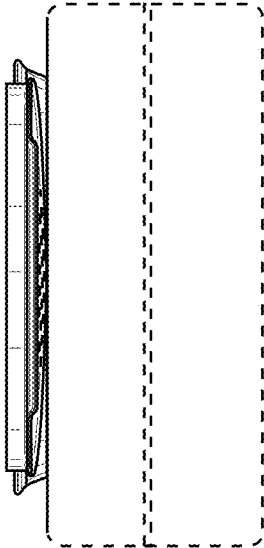


FIG. 3

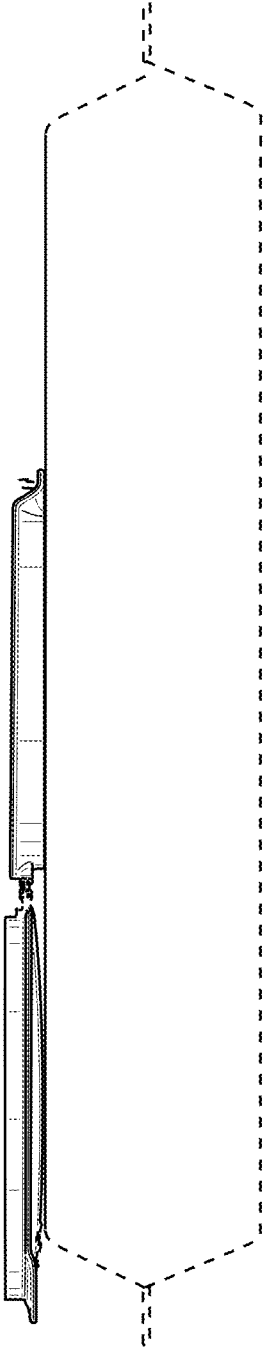


FIG. 4

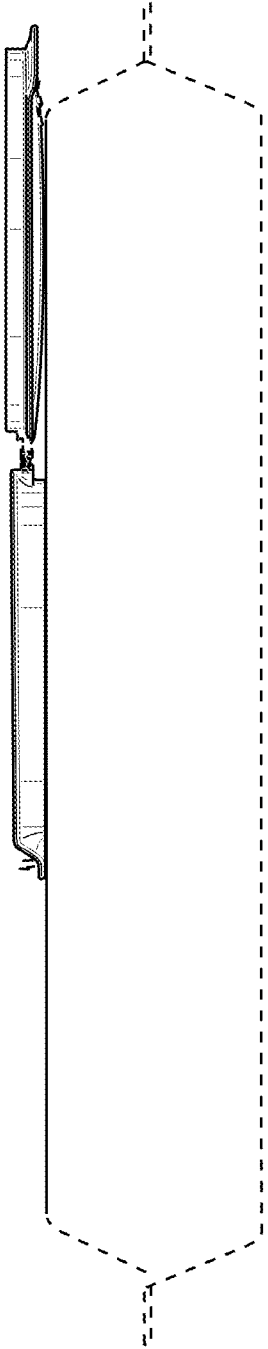


FIG. 5

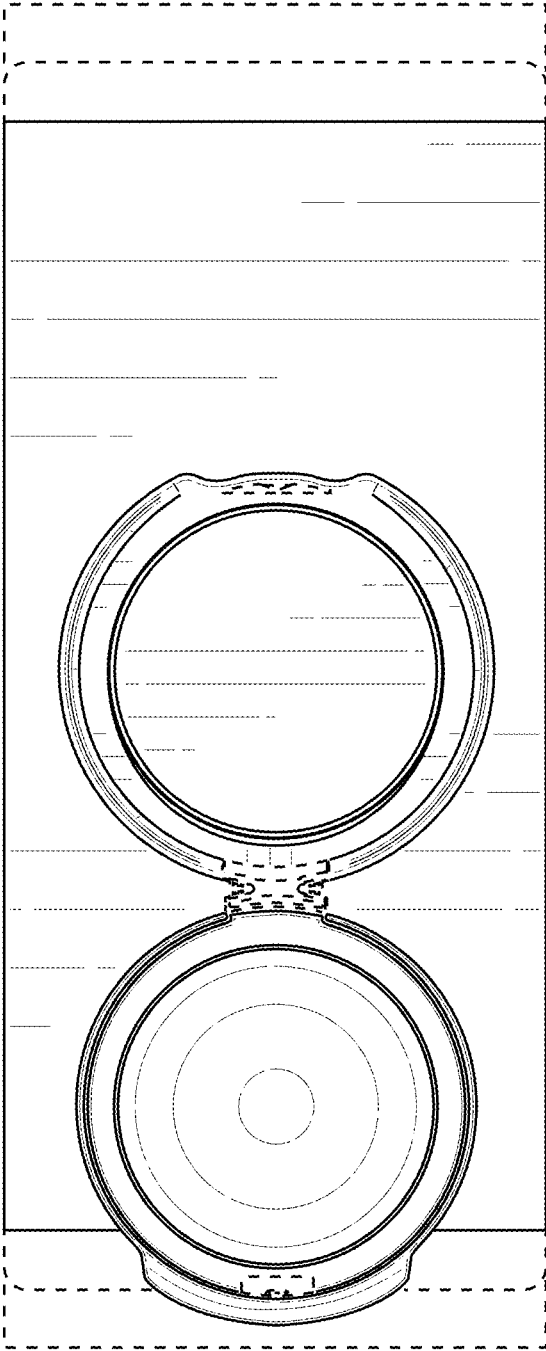


FIG. 6

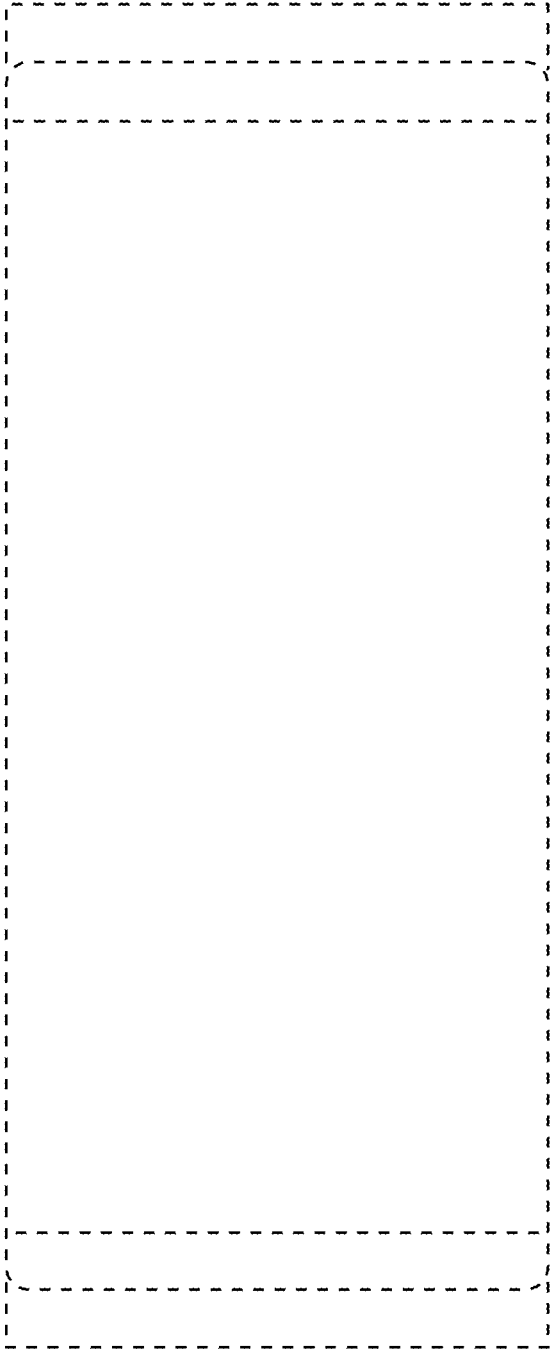


FIG. 7

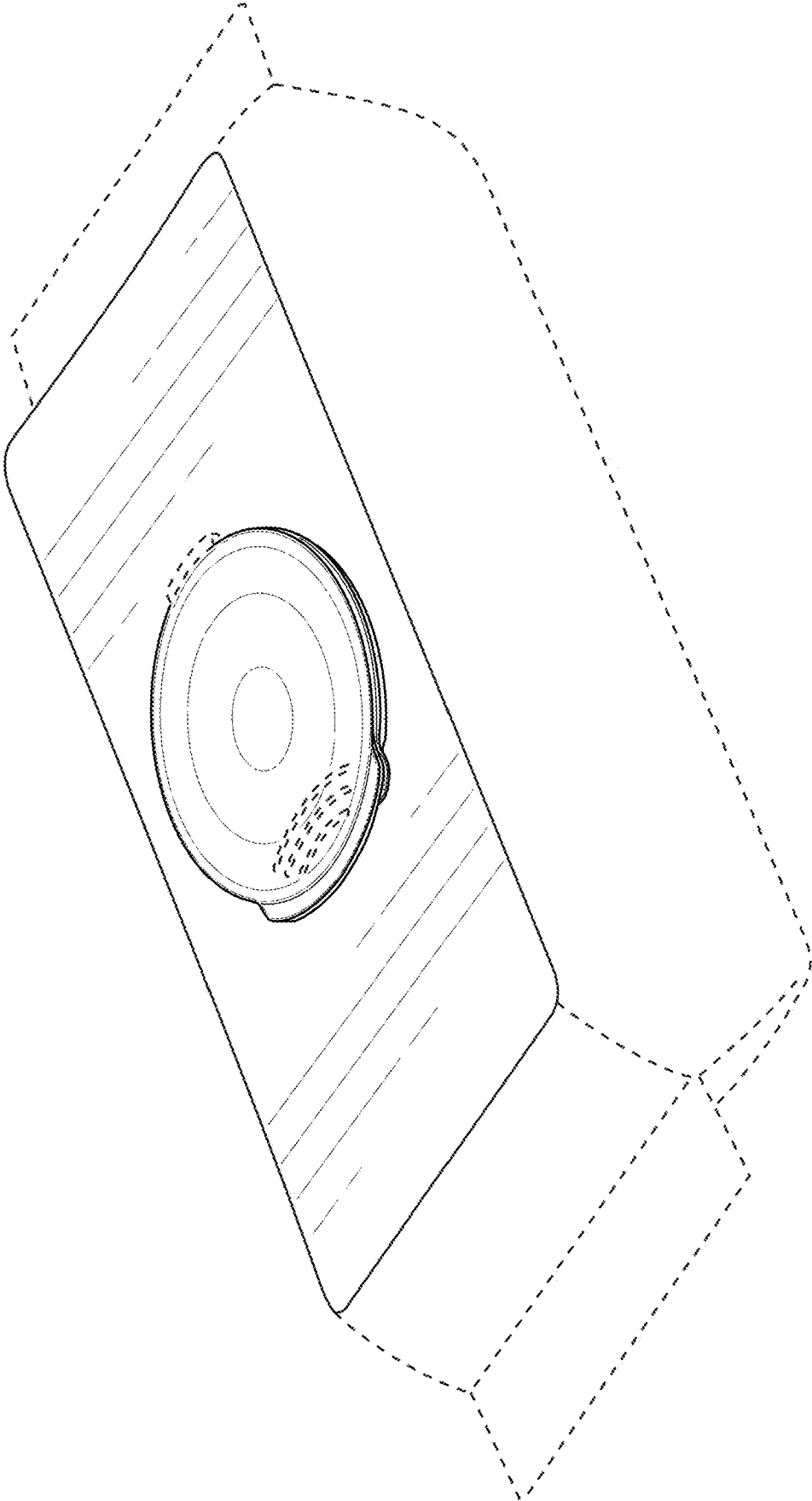


FIG. 8