

(12) INTERNATIONAL APPLICATION PUBLISHED UNDER THE PATENT COOPERATION TREATY (PCT)

(19) World Intellectual Property Organization  
International Bureau



(43) International Publication Date  
18 July 2002 (18.07.2002)

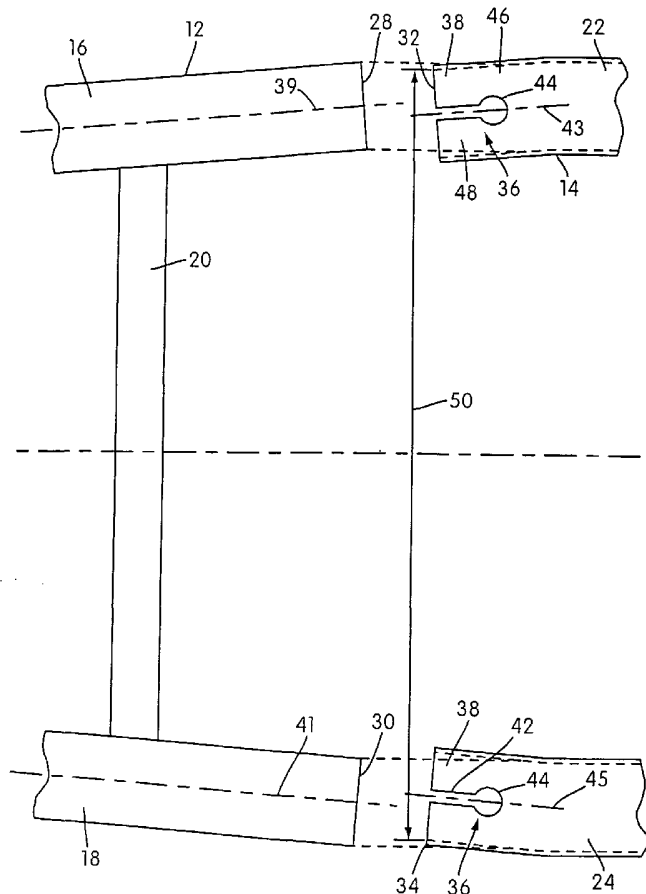
PCT

(10) International Publication Number  
**WO 02/055363 A3**

- (51) International Patent Classification<sup>7</sup>: **B62D 27/02**, 21/12, 21/02
- (21) International Application Number: PCT/US02/00493
- (22) International Filing Date: 10 January 2002 (10.01.2002)
- (25) Filing Language: English
- (26) Publication Language: English
- (30) Priority Data: 60/260,682 11 January 2001 (11.01.2001) US
- (71) Applicant (for all designated States except US): **MAGNA INTERNATIONAL INC.** [CA/CA]; 337 Magna Drive, Aurora, Ontario L4G 7K1 (CA).
- (72) Inventor; and
- (75) Inventor/Applicant (for US only): **MCNALLY, John, T.** [US/US]; 1408 Wiltshire Road, Berkley, MI 48072 (US).
- (74) Agents: **BARUFKA, Jack, S.** et al.; Pillsbury Winthrop LLP, 1600 Tysons Boulevard, McLean, VA 22102 (US).
- (81) Designated States (national): AE, AG, AL, AM, AT, AU, AZ, BA, BB, BG, BR, BY, BZ, CA, CH, CN, CO, CR, CU, CZ, DE, DK, DM, DZ, EC, EE, ES, FI, GB, GD, GE, GH, GM, HR, HU, ID, IL, IN, IS, JP, KE, KG, KP, KR, KZ, LC, LK, LR, LS, LT, LU, LV, MA, MD, MG, MK, MN, MW, MX, MZ, NO, NZ, OM, PH, PL, PT, RO, RU, SD, SE, SG, SI, SK, SL, TJ, TM, TN, TR, TT, TZ, UA, UG, US, UZ, VN, YU, ZA, ZM, ZW.
- (84) Designated States (regional): ARIPO patent (GH, GM, KE, LS, MW, MZ, SD, SL, SZ, TZ, UG, ZM, ZW), Eurasian patent (AM, AZ, BY, KG, KZ, MD, RU, TJ, TM),

[Continued on next page]

(54) Title: METHOD OF JOINING CLOSED SECTION MEMBERS BETWEEN FRAME MODULES



(57) Abstract: A frame assembly for a motor vehicle comprises a forward module (12) and a rearward module (14). The forward module (12) comprises a pair of forward side rail portions (16, 18), which are interconnected by a cross portion (20). The forward side rail portions (16, 18) are angularly disposed with respect to one another such that they have an increasing distance therebetween as they extend rearwardly. Rearward ends (28, 30) of the forward side rail portions (16, 18) are connected to associated forward ends (32, 34) of the rearward side rail portions (22, 24). At least one of the forward and rearward side rail portions has a notch (30) formed therein permitting an end portion thereof to be bent laterally to permit interface with the associated side rail portion connected thereto. The end portion is then bent back and is welded to the associated side rail portion connected thereto.

WO 02/055363 A3



European patent (AT, BE, CH, CY, DE, DK, ES, FI, FR, GB, GR, IE, IT, LU, MC, NL, PT, SE, TR), OAPI patent (BF, BJ, CF, CG, CI, CM, GA, GN, GQ, GW, ML, MR, NE, SN, TD, TG).

**(88) Date of publication of the international search report:**  
8 May 2003

**Published:**

— with international search report

*For two-letter codes and other abbreviations, refer to the "Guidance Notes on Codes and Abbreviations" appearing at the beginning of each regular issue of the PCT Gazette.*

INTERNATIONAL SEARCH REPORT

International Application No  
PCT/US 02/00493

A. CLASSIFICATION OF SUBJECT MATTER  
IPC 7 B62D27/02 B62D21/12 B62D21/02

According to International Patent Classification (IPC) or to both national classification and IPC

B. FIELDS SEARCHED

Minimum documentation searched (classification system followed by classification symbols)  
IPC 7 B62D

Documentation searched other than minimum documentation to the extent that such documents are included in the fields searched

Electronic data base consulted during the international search (name of data base and, where practical, search terms used)

EPO-Internal, PAJ, WPI Data

C. DOCUMENTS CONSIDERED TO BE RELEVANT

Category °	Citation of document, with indication, where appropriate, of the relevant passages	Relevant to claim No.
A	US 5 855 394 A (MAYO III HOWARD A ET AL) 5 January 1999 (1999-01-05) figure 1 column 9, line 63 -column 10, line 46	1,2,8, 10,12-18
A	US 6 010 155 A (RINEHART RONALD A) 4 January 2000 (2000-01-04) figures 1,3,5,6,8-10,12 column 2, line 65 -column 3, line 18 column 7, line 49 -column 8, line 31	1,3-5,8, 10-13,18
A	US 1 928 942 A (MADDOCK ROBERT H) 3 October 1933 (1933-10-03) figure 4	3,10
A	US 2 927 817 A (NELSON RAUP CLYDE) 8 March 1960 (1960-03-08) figure 1	2,9

Further documents are listed in the continuation of box C.

Patent family members are listed in annex.

° Special categories of cited documents :

- \*A\* document defining the general state of the art which is not considered to be of particular relevance
- \*E\* earlier document but published on or after the international filing date
- \*L\* document which may throw doubts on priority claim(s) or which is cited to establish the publication date of another citation or other special reason (as specified)
- \*O\* document referring to an oral disclosure, use, exhibition or other means
- \*P\* document published prior to the international filing date but later than the priority date claimed

- \*T\* later document published after the international filing date or priority date and not in conflict with the application but cited to understand the principle or theory underlying the invention
- \*X\* document of particular relevance; the claimed invention cannot be considered novel or cannot be considered to involve an inventive step when the document is taken alone
- \*Y\* document of particular relevance; the claimed invention cannot be considered to involve an inventive step when the document is combined with one or more other such documents, such combination being obvious to a person skilled in the art.
- \*&\* document member of the same patent family

Date of the actual completion of the international search

12 September 2002

Date of mailing of the international search report

18/09/2002

Name and mailing address of the ISA  
European Patent Office, P.B. 5818 Patentlaan 2  
NL - 2280 HV Rijswijk  
Tel. (+31-70) 340-2040, Tx. 31 651 epo nl,  
Fax: (+31-70) 340-3016

Authorized officer  
Deraymaeker, D

## INTERNATIONAL SEARCH REPORT

Information on patent family members

International Application No

PCT/US 02/00493

Patent document cited in search report		Publication date	Patent family member(s)	Publication date
US 5855394	A	05-01-1999	US 5718048 A	17-02-1998
			US 5561902 A	08-10-1996
			AT 171124 T	15-10-1998
			BR 9509209 A	27-01-1998
			CA 2200852 A1	04-04-1996
			WO 9609949 A1	04-04-1996
			CN 1312201 A	12-09-2001
			CZ 9700951 A3	16-07-1997
			DE 69504857 D1	22-10-1998
			DE 69504857 T2	11-02-1999
			EP 0783425 A1	16-07-1997
			ES 2121340 T3	16-11-1998
			JP 10506074 T	16-06-1998
			PL 319662 A1	18-08-1997
			RU 2126306 C1	20-02-1999
			US 5632508 A	27-05-1997
US 6010155	A	04-01-2000	BR 9706490 A	23-02-1999
US 1928942	A	03-10-1933	NONE	
US 2927817	A	08-03-1960	NONE	