



US00D950484S

(12) **United States Design Patent**
Tan

(10) **Patent No.:** **US D950,484 S**

(45) **Date of Patent:** **** May 3, 2022**

(54) **POWER STATION**

- (71) Applicant: **Shenzhen Wuyuan Technology Ltd. Co.**, Shenzhen (CN)
- (72) Inventor: **Bing Tan**, Shenzhen (CN)
- (73) Assignee: **SHENZHEN WUYUAN TECHNOLOGY LTD. CO.**, Shenzhen (CN)

(**) Term: **15 Years**

(21) Appl. No.: **29/745,112**

(22) Filed: **Aug. 4, 2020**

(51) **LOC (13) Cl.** **13-02**

(52) **U.S. Cl.** **D13/107**
USPC **D13/107**

(58) **Field of Classification Search**
USPC D13/103, 106, 107, 108, 109, 110, 112,
D13/114, 116, 118, 119, 184, 199
CPC H01M 10/46; H02J 7/0044; F02B 63/04
See application file for complete search history.

(56) **References Cited**

U.S. PATENT DOCUMENTS

D181,459	S	*	11/1957	Bullock	D13/116
D414,461	S	*	9/1999	Wang	D13/116
D475,966	S	*	6/2003	Chunn	D13/108
D488,127	S	*	4/2004	Fan	D13/112
D659,088	S	*	5/2012	Steinberg	D13/106
D684,115	S	*	6/2013	Inskeep	D13/107
D711,319	S	*	8/2014	Wilcox	D13/116
D730,825	S	*	6/2015	Wang	D13/109
D871,337	S	*	12/2019	Nagasawa	D13/116
D886,047	S	*	6/2020	Hung	D13/107
2015/0021305	A1	*	1/2015	Rozmarynowski	B23K 9/293 219/130.1
2017/0050258	A1	*	2/2017	Hillen	B23K 9/295
2017/0312845	A1	*	11/2017	Chantry	B23K 9/013

OTHER PUBLICATIONS

“Suaoki Portable Power Station”. Found online Aug. 24, 2021 at amazon.com. Reference dated Nov. 19, 2019. Retrieved from <https://www.amazon.com/Portable-Station-Generator-Flashlights-Emergency/dp/B076PR4TBZ>. (Year: 2019).*

“Champion Portable Inverter Generator”. Found online Aug. 26, 2021 at amazon.com. Reference dated Jul. 17, 2016. Retrieved from https://www.amazon.com/Champion-3100-Watt-Portable-Inverter-Generator/dp/B00BBDC1S/ref=as_sl_pc_tf_til (Year: 2016).*

“Patriot Power Generator”. Found online Aug. 26, 2021 at accesswire.com. Reference dated Aug. 1, 2014. Retrieved from <https://www.accesswire.com/418619/Patriot-Power-Generator-Is-Latest-Product-in-4Patriots-Stable> (Year: 2014).*

* cited by examiner

Primary Examiner — Kendra Leslie Hamilton
Assistant Examiner — Amanda Christensen
 (74) *Attorney, Agent, or Firm* — Andrew C. Cheng

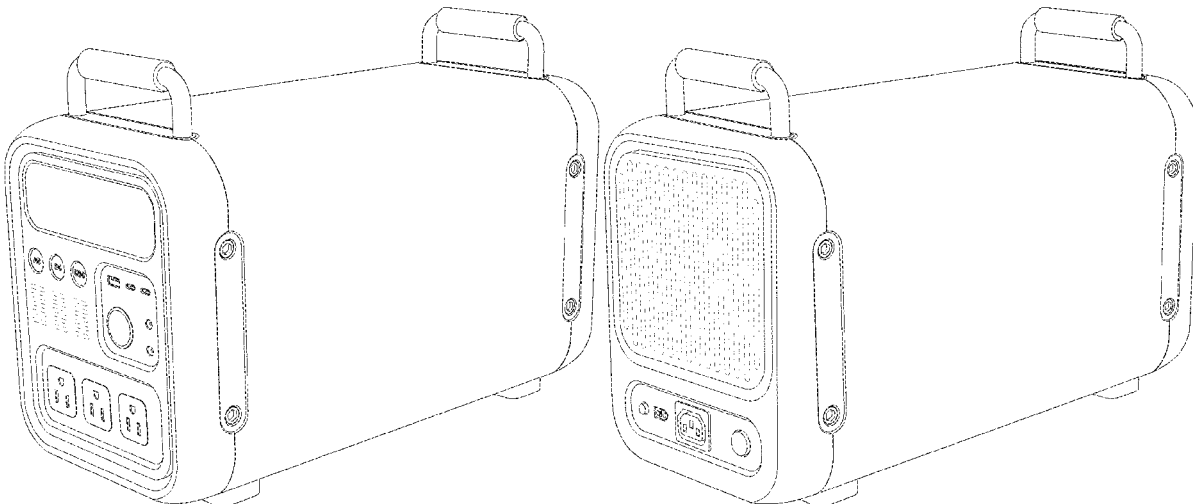
(57) **CLAIM**

I claim the ornamental design for a power station, as shown and described.

DESCRIPTION

FIG. 1 is a front view of a power station.
 FIG. 2 is a back view thereof.
 FIG. 3 is a left view thereof.
 FIG. 4 is a right view thereof.
 FIG. 5 is a top view thereof.
 FIG. 6 is a bottom view thereof.
 FIG. 7 is a top, front, left perspective view thereof; and,
 FIG. 8 is a top, back, right perspective view thereof.
 The broken lines in the drawings depict portions of the power station that form no part of the claimed design.

1 Claim, 8 Drawing Sheets



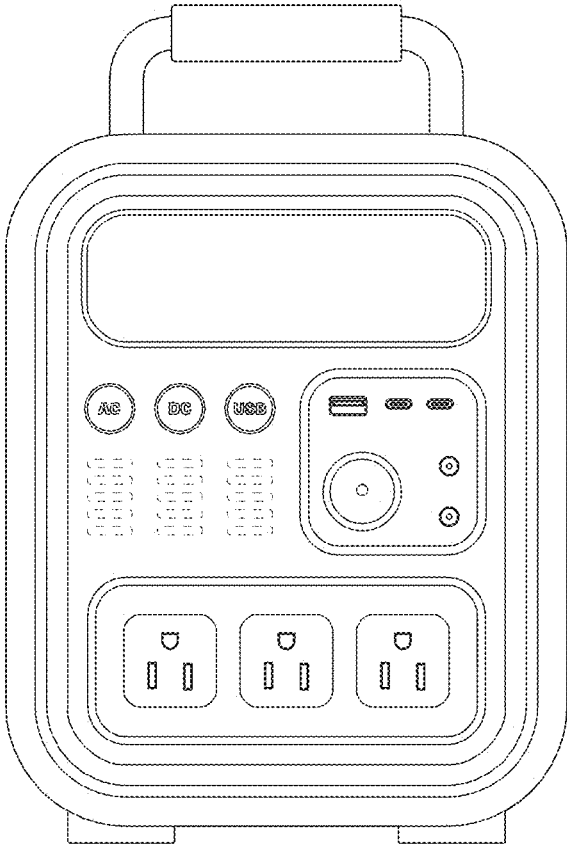


FIG. 1

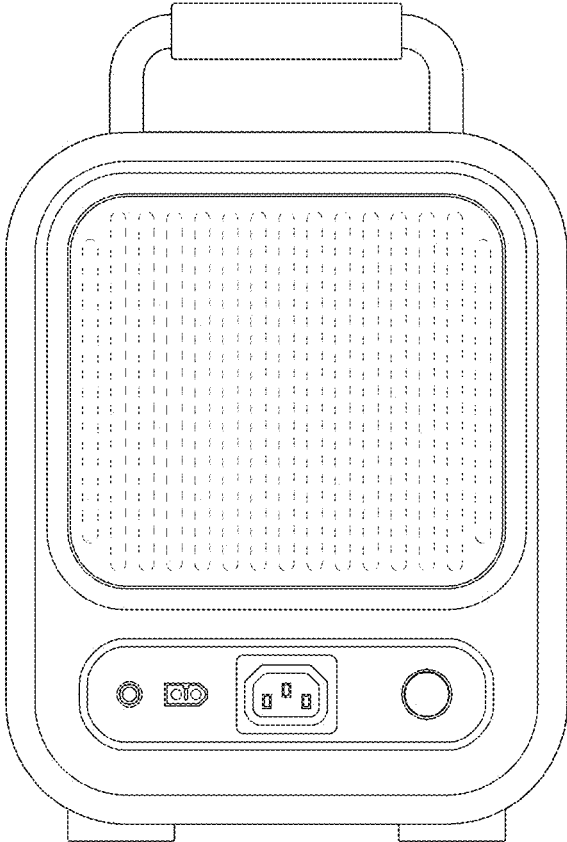


FIG. 2

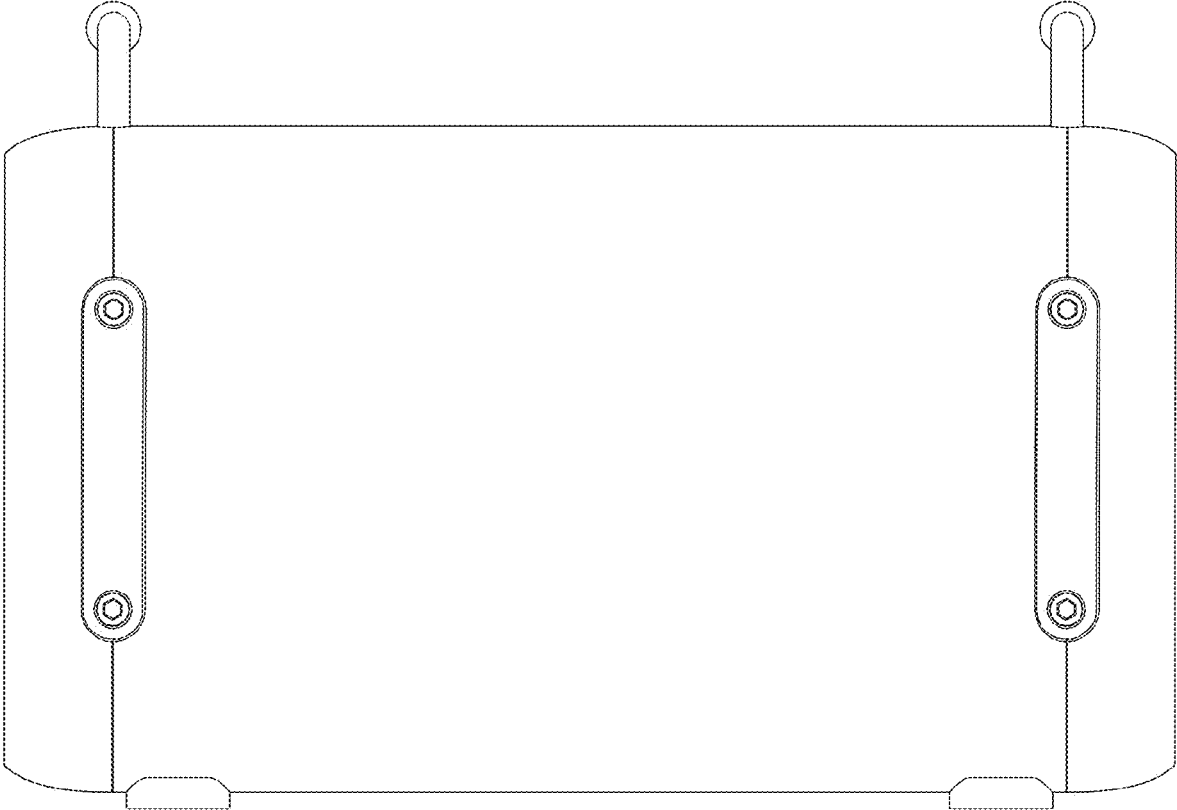


FIG. 3

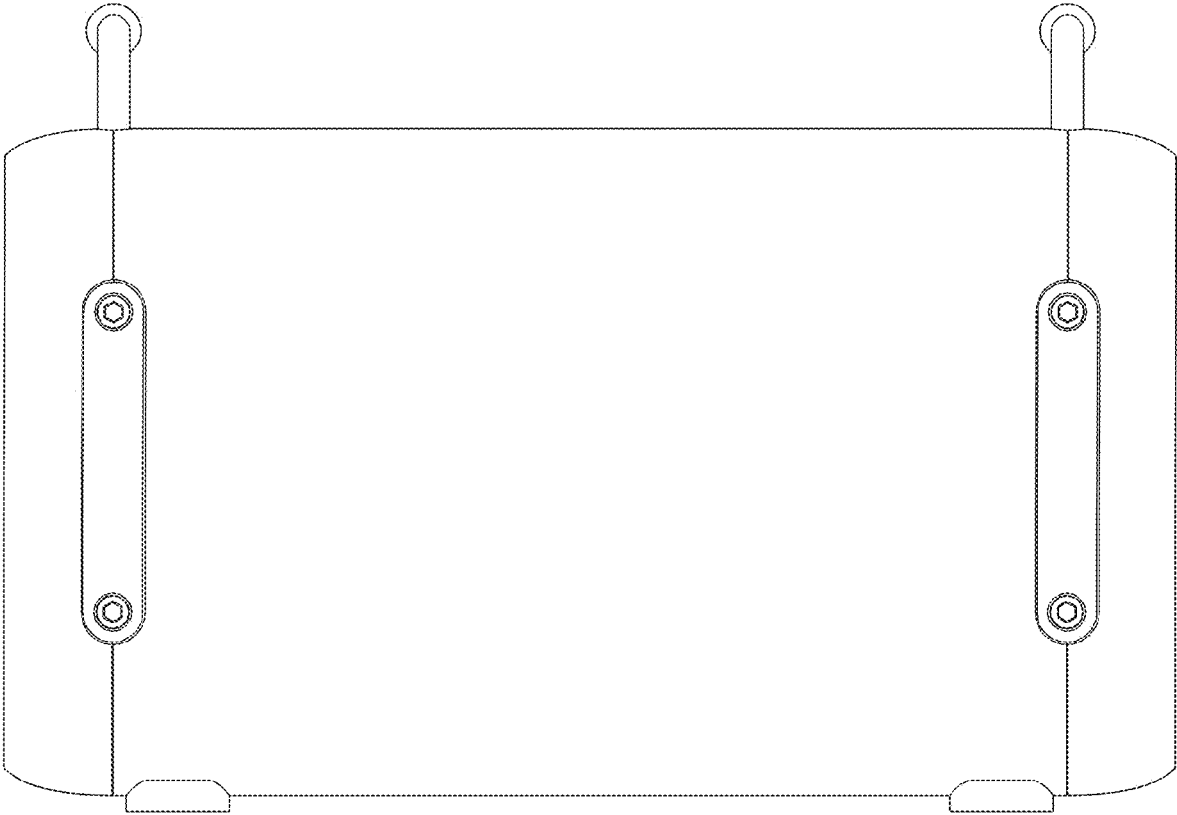


FIG. 4

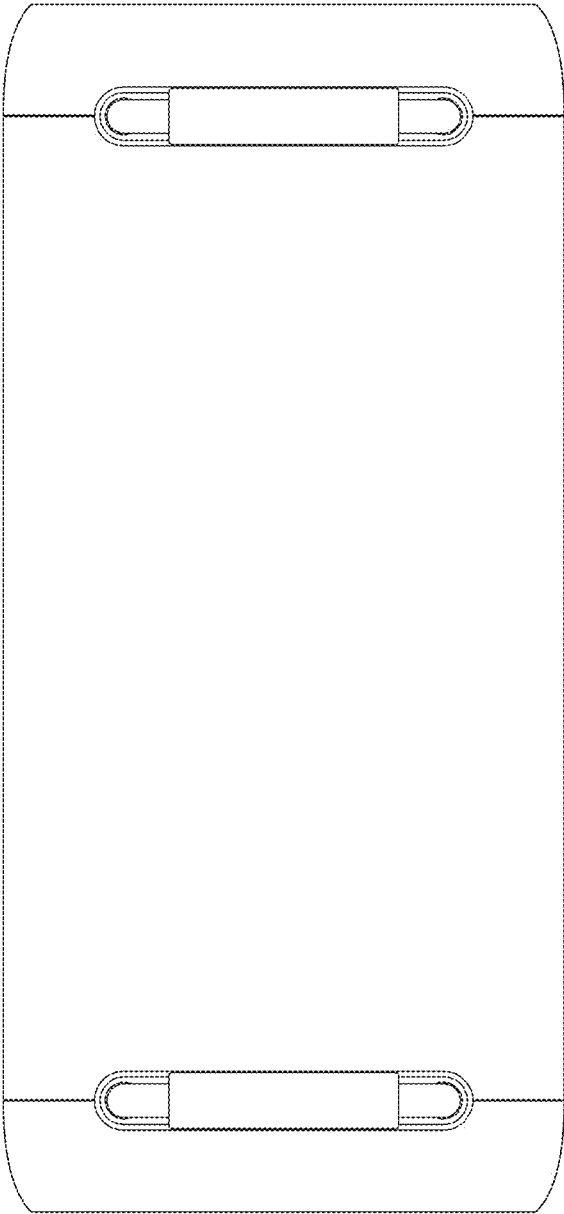


FIG. 5

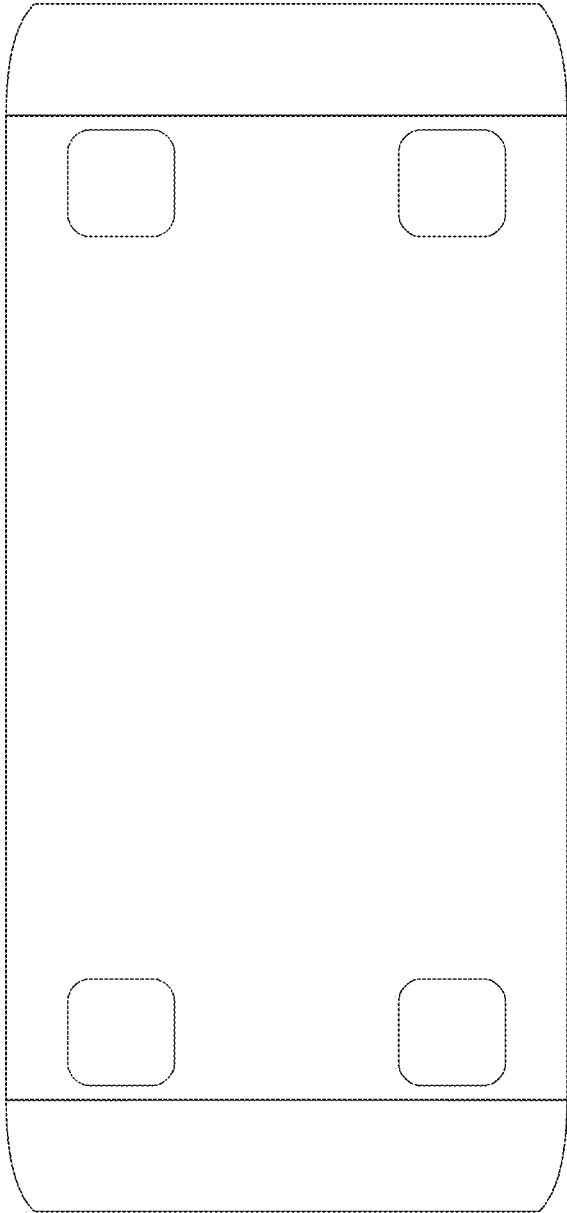


FIG. 6

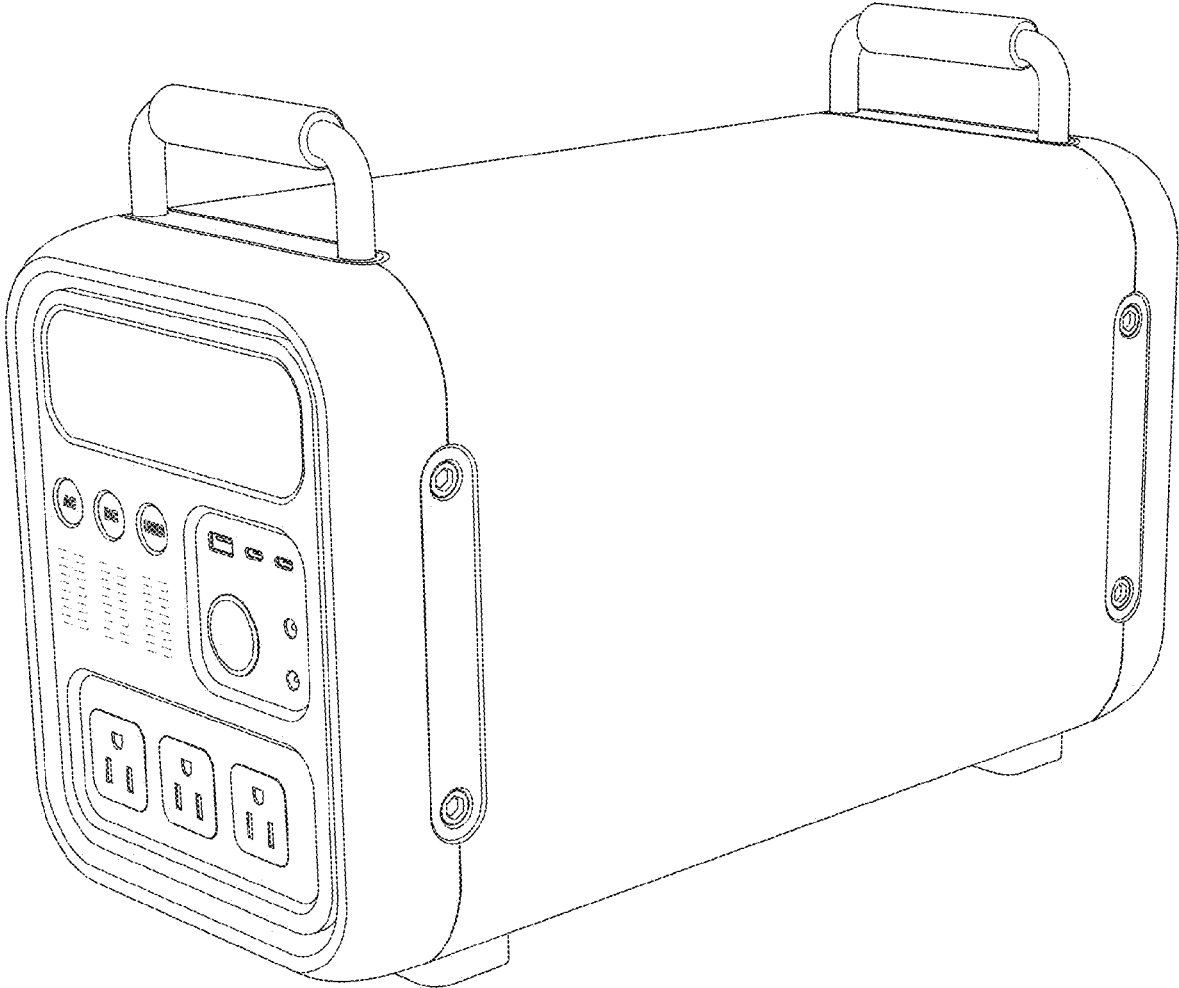


FIG. 7

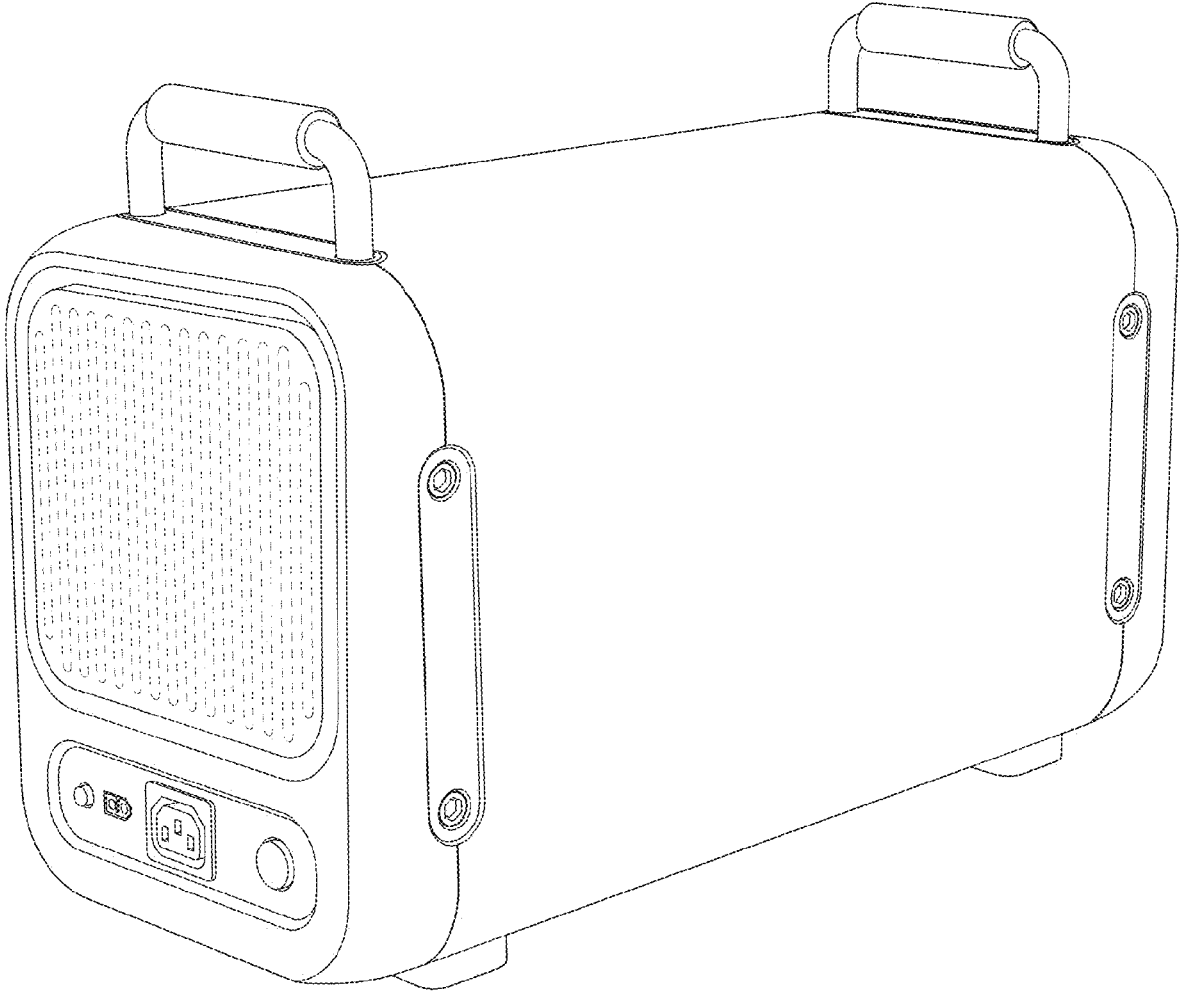


FIG. 8