



US00D736371S

(12) **United States Design Patent**
Row et al.

(10) **Patent No.:** **US D736,371 S**
(45) **Date of Patent:** **** Aug. 11, 2015**

- (54) **CUFF FOR AIR DELIVERY TUBE**
- (71) Applicant: **ResMed Limited**, Bella Vista (AU)
- (72) Inventors: **Nathan John Row**, Lane Cove (AU);
Mark Bertinetti, Ermington (AU)
- (73) Assignee: **RESMED LIMITED**, Bella Vista (AU)
- (**) Term: **14 Years**
- (21) Appl. No.: **29/443,523**
- (22) Filed: **Jan. 18, 2013**

2,073,335 A	9/1937	Connell	
2,516,864 A	8/1950	Gilmore	
2,524,522 A	10/1950	Gilmore et al.	
2,954,802 A	10/1960	Duff	
3,163,707 A	12/1964	Darling	
D217,550 S	5/1970	Campbell	
3,794,080 A	2/1974	Huston et al.	
4,188,081 A	2/1980	Holden et al.	
D300,361 S *	3/1989	Tokarz	D24/129
D302,040 S	7/1989	Lambert	
5,007,839 A	4/1991	Holden et al.	
5,125,909 A	6/1992	Heimberger	
D347,686 S *	6/1994	Reif	D24/128
D360,027 S *	7/1995	Psaros	D23/359

(Continued)

Related U.S. Application Data

- (60) Continuation of application No. 29/412,460, filed on Feb. 3, 2012, now Pat. No. Des. 677,789, which is a continuation of application No. 29/371,754, filed on Sep. 1, 2011, now Pat. No. Des. 655,813, which is a division of application No. 29/371,554, filed on Apr. 19, 2011, now Pat. No. Des. 650,479, which is a division of application No. 29/371,132, filed on Oct. 28, 2010, now Pat. No. Des. 638,536, which is a division of application No. 29/311,222, filed on Jan. 22, 2009, now Pat. No. Des. 628,288.

- (51) **LOC (10) Cl.** **24-02**
- (52) **U.S. Cl.**
USPC **D24/129**

- (58) **Field of Classification Search**
USPC D24/129, 128, 107, 110, 110.4, 110.5,
D24/110.6, 164; 128/200.24, 201.22,
128/202.27, 203.27, 204.18, 205.25,
128/206.15, 206.21; 138/121, 122; 174/47;
285/260; 604/27
See application file for complete search history.

- (56) **References Cited**

U.S. PATENT DOCUMENTS

1,746,701 A	2/1930	Kimmich
2,045,540 A	6/1936	Debenedetti

FOREIGN PATENT DOCUMENTS

WO WO2010031126 3/2010

OTHER PUBLICATIONS

Row et al., U.S. Appl. No. 12/461,967, filed Aug. 28, 2009.
(Continued)

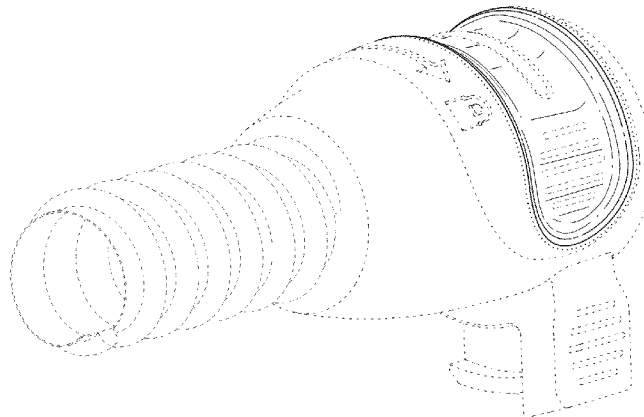
Primary Examiner — David Muller
(74) *Attorney, Agent, or Firm* — Nixon & Vanderhye P.C.

- (57) **CLAIM**
The ornamental design for a cuff for air delivery tube, as shown and described.

DESCRIPTION

FIG. 1 is a perspective view of a cuff for air delivery tube according to our new ornamental design;
FIG. 2 is a front view thereof;
FIG. 3 is a rear view thereof;
FIG. 4 is a top view thereof;
FIG. 5 is a bottom view thereof; and,
FIG. 6 is a reverse perspective view thereof.
The broken lines represent environmental structure and do not form a part of the claimed design.

1 Claim, 3 Drawing Sheets



(56)

References Cited

U.S. PATENT DOCUMENTS

5,720,504 A 2/1998 Stedman et al.
 D410,541 S 6/1999 Moulin
 5,944,059 A 8/1999 Masui
 6,065,472 A 5/2000 Anderson et al.
 D430,293 S * 8/2000 Jansen D24/129
 D439,326 S 3/2001 Hecker et al.
 6,367,510 B1 4/2002 Carlson
 6,378,166 B1 4/2002 Bruno et al.
 D473,646 S * 4/2003 Baillargeon et al. D24/129
 D473,941 S * 4/2003 Cise et al. D24/129
 D474,839 S * 5/2003 Francavilla et al. D24/129
 6,575,944 B1 6/2003 McNary et al.
 6,722,903 B2 4/2004 Mulvenna et al.
 6,722,904 B2 4/2004 Linhart
 6,953,354 B2 10/2005 Edirisuriya
 6,983,757 B1 1/2006 Becker et al.
 7,077,166 B2 7/2006 Heo et al.
 7,226,302 B2 6/2007 Walter et al.
 D590,061 S * 4/2009 Stephens D24/129
 7,597,100 B2 10/2009 Ging et al.
 7,621,766 B2 11/2009 Schutz
 D628,288 S 11/2010 Row et al.
 D629,891 S 12/2010 Virr et al.
 D629,892 S 12/2010 Hill et al.
 D632,791 S * 2/2011 Murner D24/155
 D636,079 S * 4/2011 Leypold et al. D24/129
 D638,536 S 5/2011 Row et al.
 D639,421 S * 6/2011 Sano et al. D24/118
 D644,731 S * 9/2011 Fangrow, Jr. D24/129
 D650,479 S 12/2011 Row et al.
 D655,017 S * 2/2012 Mosler et al. D24/231
 D655,813 S 3/2012 Row et al.
 D660,960 S * 5/2012 Gronberg D24/129
 D669,578 S * 10/2012 Burgess et al. D24/129

D671,209 S 11/2012 Row et al.
 D671,221 S * 11/2012 Donaldson D24/176
 D687,546 S * 8/2013 Baid D24/128
 D704,829 S * 5/2014 McAtamney et al. D24/128
 D709,187 S * 7/2014 Li D24/129
 D715,427 S * 10/2014 Jovet-Hug et al. D24/128
 2003/0154978 A1 8/2003 Gradon et al.
 2006/0112962 A1 6/2006 Tebbutt et al.
 2006/0283461 A1 12/2006 Lubke et al.
 2007/0000492 A1 1/2007 Hansel et al.
 2007/0095350 A1 5/2007 Darkin et al.
 2007/0218734 A1 9/2007 Walter et al.
 2007/0277828 A1 12/2007 Ho et al.
 2008/0077176 A1 3/2008 Hanlon et al.
 2008/0105257 A1 5/2008 Klasek et al.
 2008/0207028 A1 8/2008 Schutz
 2009/0025724 A1 1/2009 Herron, Jr.
 2009/0133696 A1 5/2009 Remmers et al.
 2009/0194112 A1 8/2009 Gunaratnam et al.
 2011/0079221 A1 4/2011 Dillard et al.

OTHER PUBLICATIONS

Row et al., U.S. Appl. No. 61/202,907, filed Apr. 17, 2009.
 Virr et al., U.S. Appl. No. 61/097,765, filed Sep. 17, 2008.
 Virr et al., U.S. Appl. No. 61/226,134, filed Jul. 16, 2009.
 Virr et al., U.S. Appl. No. 29/412,460, filed Feb. 3, 2012.
 CPAP Tubing, 6 ft (CPAP-6G), as shown on www.myrespiratorysupply.com, viewed Apr. 13, 2010 and review of same dated May 10, 2007 (3 pages).
 ResMed's S9 Series Humidaire H5i Heated Humifier with Climate Control, as shown on www.cpap.com, viewed on Apr. 13, 2010 (13 pages). See p. 10-11 for tubing connectors.
 ResMed's S9 ClimateLine heated tubing, as shown on www.s9morecomfort.com, viewed Apr. 13, 2010 (4 pages).

* cited by examiner

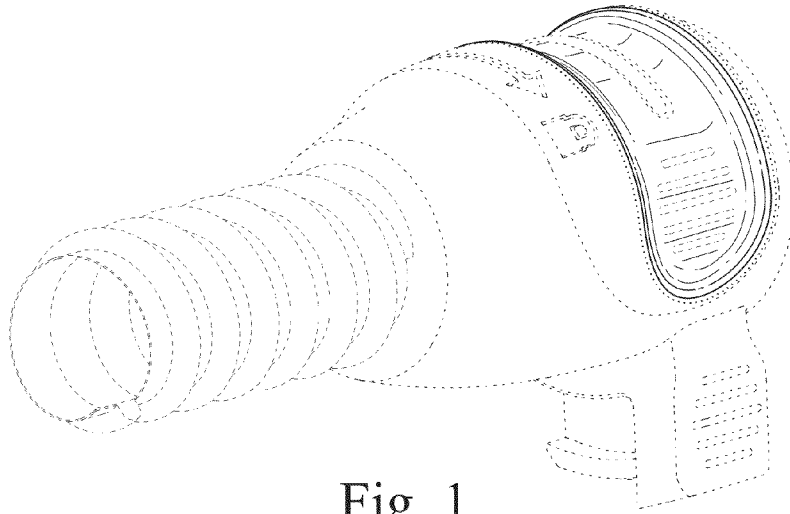


Fig. 1

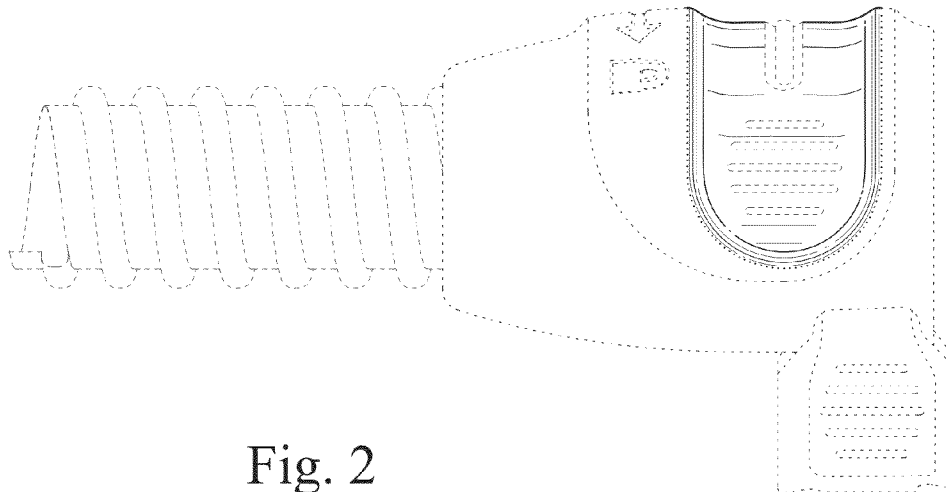


Fig. 2

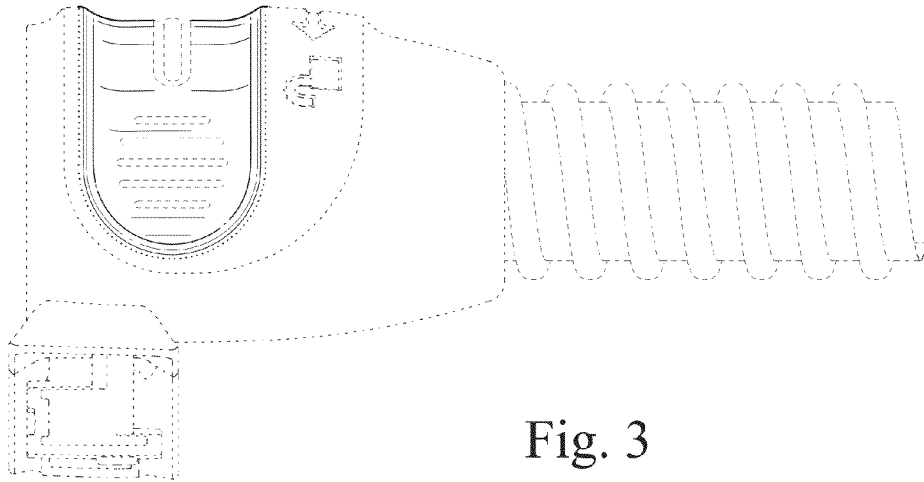


Fig. 3

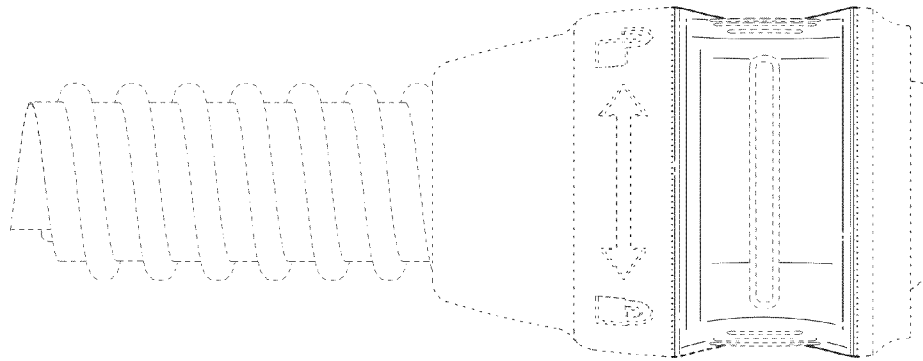


Fig. 4

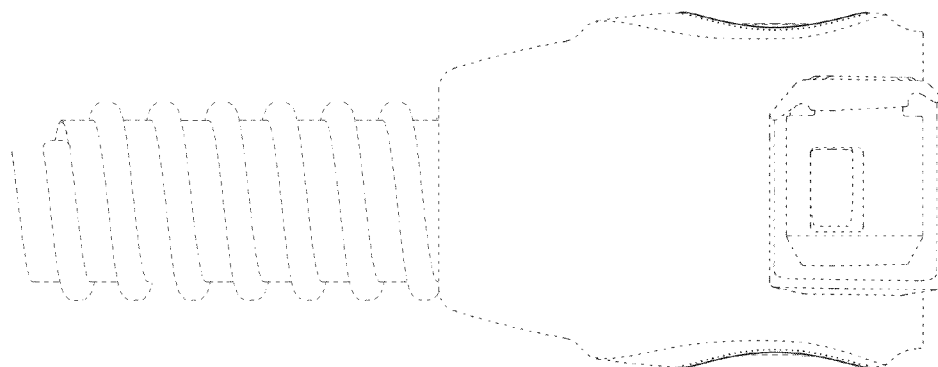


Fig. 5

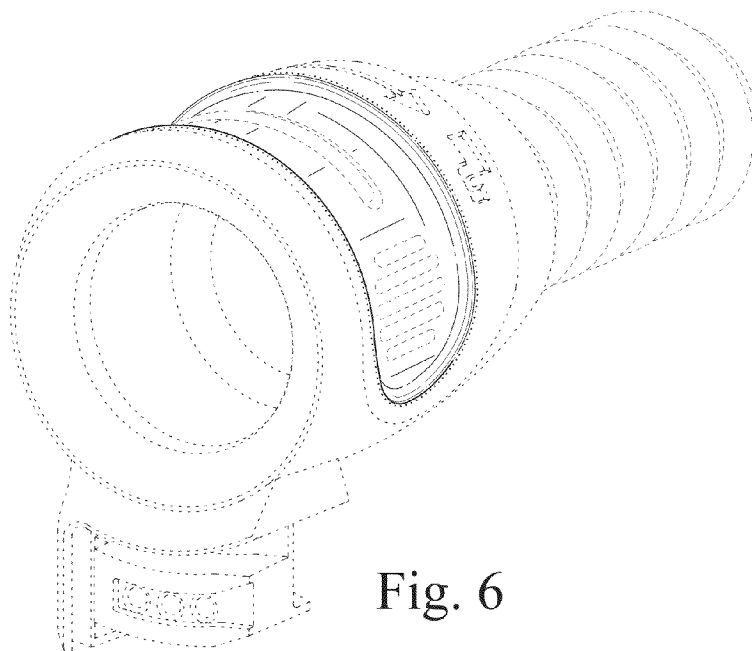


Fig. 6