

(19) World Intellectual Property Organization
International Bureau



(43) International Publication Date
13 November 2008 (13.11.2008)

PCT

(10) International Publication Number
WO 2008/137106 A3

- (51) **International Patent Classification:**
H01R 4/24 (2006.01) *H01R 13/627* (2006.01)
H01R 13/506 (2006.01) *H01R 13/11* (2006.01)
- (21) **International Application Number:**
PCT/US2008/005727
- (22) **International Filing Date:** 2 May 2008 (02.05.2008)
- (25) **Filing Language:** English
- (26) **Publication Language:** English
- (30) **Priority Data:**
11/744,303 4 May 2007 (04.05.2007) US
- (71) **Applicant (for all designated States except US):** **TYCO ELECTRONICS CORPORATION** [US/US]; 1050 Westlakes Drive, Berwyn, PA 19312 (US).
- (72) **Inventors; and**
- (75) **Inventors/Applicants (for US only):** **LANDIS, John, Michael** [US/US]; 109 Fineview Road, Camp Hill, PA 17011 (US). **FABIAN, David, James** [US/US]; 366 Kelly Avenue, Mount Joy, PA 17552 (US).
- (74) **Agents:** **STROUD, Adam, L.** et al.; Tyco Technology Resources, 4550 New Linden Hill Road, Suite 140, Wilmington, DE 19808 (US).
- (81) **Designated States (unless otherwise indicated, for every kind of national protection available):** AE, AG, AL, AM, AO, AT, AU, AZ, BA, BB, BG, BH, BR, BW, BY, BZ, CA, CH, CN, CO, CR, CU, CZ, DE, DK, DM, DO, DZ, EC, EE, EG, ES, FI, GB, GD, GE, GH, GM, GT, HN, HR, HU, ID, IL, IN, IS, JP, KE, KG, KM, KN, KP, KR, KZ, LA, LC, LK, LR, LS, LT, LU, LY, MA, MD, ME, MG, MK, MN, MW, MX, MY, MZ, NA, NG, NI, NO, NZ, OM, PG, PH, PL, PT, RO, RS, RU, SC, SD, SE, SG, SK, SL, SM, SV, SY, TJ, TM, TN, TR, TT, TZ, UA, UG, US, UZ, VC, VN, ZA, ZM, ZW.
- (84) **Designated States (unless otherwise indicated, for every kind of regional protection available):** ARIPO (BW, GH, GM, KE, LS, MW, MZ, NA, SD, SL, SZ, TZ, UG, ZM, ZW), Eurasian (AM, AZ, BY, KG, KZ, MD, RU, TJ, TM), European (AT, BE, BG, CH, CY, CZ, DE, DK, EE, ES, FI, FR, GB, GR, HR, HU, IE, IS, IT, LT, LU, LV, MC, MT, NL, NO, PL, PT, RO, SE, SI, SK, TR), OAPI (BF, BJ, CF, CG, CI, CM, GA, GN, GQ, GW, ML, MR, NE, SN, TD, TG).

Published:
— with international search report

[Continued on next page]

(54) **Title:** INSULATION DISPLACEMENT CRIMP CONNECTOR

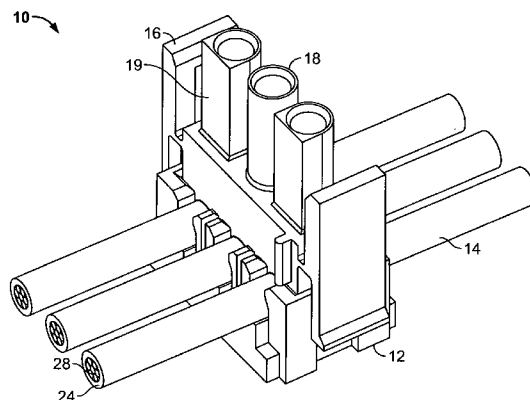


FIG. 1

(57) **Abstract:** An electrical connector assembly (10) includes a first connector portion (12) for supporting a plurality of insulated electrical conductors (14), and a second connector portion (16) removably engageable with the first connector portion (12). The first connector portion (12) includes a plurality of detent elements to secure the electrical conductors (14) to the first connector portion (12), and at least one alignment recess. The second connector portion (16) includes socket portions (18) corresponding to the plurality of electrical conductors (14) of the first portion (12), and an alignment member cooperative with the alignment recess to guide the second connector portion (16) into engagement with the first connector portion (12). Socket portions (18) include an insulation displacement crimp (IDC) connector portion configured to penetrate a corresponding external insulating layer (24) of a corresponding one of the plurality of electrical conductors (14) to place the IDC connector portion in electrical communication with the conductive core portion (28) of the corresponding electrical conductor (14).



WO 2008/137106 A3



(88) Date of publication of the international search report:
8 January 2009

INTERNATIONAL SEARCH REPORT

International application No
PCT/US2008/005727

A. CLASSIFICATION OF SUBJECT MATTER

INV. H01R4/24 H01R13/506 H01R13/627 H01R13/11

According to International Patent Classification (IPC) or to both national classification and IPC

B. FIELDS SEARCHED

Minimum documentation searched (classification system followed by classification symbols)
H01R

Documentation searched other than minimum documentation to the extent that such documents are included in the fields searched

Electronic data base consulted during the international search (name of data base and, where practical, search terms used)

EPO-Internal

C. DOCUMENTS CONSIDERED TO BE RELEVANT

Category*	Citation of document, with indication, where appropriate, of the relevant passages	Relevant to claim No.
X	US 2004/266250 A1 (MURO TAKASHI [JP] ET AL) 30 December 2004 (2004-12-30)	1, 2, 5-7, 9, 11, 13, 14
Y	abstract page 5, paragraph 89 - page 6, paragraph 106 figures 1-12, 29	3, 4, 12
X	US 2006/199423 A1 (YAMANASHI MAKOTO [JP] ET AL) 7 September 2006 (2006-09-07)	1, 5-9, 11-14
Y	abstract page 2, paragraph 48 - page 3, paragraph 62 figures 1-5, 610, 12, 13, 15	2, 15
Y	DE 10 2004 054203 A1 (ERNI ELEKTROAPP GMBH [DE]) 11 May 2006 (2006-05-11) abstract; figures 1-5	2, 12
	-/--	

 Further documents are listed in the continuation of Box C. See patent family annex.

* Special categories of cited documents :

- *A* document defining the general state of the art which is not considered to be of particular relevance
- *E* earlier document but published on or after the international filing date
- *L* document which may throw doubts on priority claim(s) or which is cited to establish the publication date of another citation or other special reason (as specified)
- *O* document referring to an oral disclosure, use, exhibition or other means
- *P* document published prior to the international filing date but later than the priority date claimed

- *T* later document published after the international filing date or priority date and not in conflict with the application but cited to understand the principle or theory underlying the invention
- *X* document of particular relevance; the claimed invention cannot be considered novel or cannot be considered to involve an inventive step when the document is taken alone
- *Y* document of particular relevance; the claimed invention cannot be considered to involve an inventive step when the document is combined with one or more other such documents, such combination being obvious to a person skilled in the art.
- *Z* document member of the same patent family

Date of the actual completion of the international search

23 October 2008

Date of mailing of the international search report

03/11/2008

Name and mailing address of the ISA/

European Patent Office, P.B. 5818 Patentlaan 2
NL - 2280 HV Rijswijk
Tel. (+31-70) 340-2040,
Fax: (+31-70) 340-3016

Authorized officer

Kardinal, Ingrid

INTERNATIONAL SEARCH REPORT

International application No
PCT/US2008/005727

C(Continuation). DOCUMENTS CONSIDERED TO BE RELEVANT		
Category*	Citation of document, with indication, where appropriate, of the relevant passages	Relevant to claim No.
Y	EP 1 369 956 A (TYCO ELECTRONICS NEDERLAND B V [NL]) 10 December 2003 (2003-12-10) figures 1-4	3,4
Y	----- US 4 666 227 A (GALIZIA MAURO [IT] ET AL) 19 May 1987 (1987-05-19) abstract; figure 7	15
A	----- US 4 758 536 A (MILLER VERNON R [US] ET AL) 19 July 1988 (1988-07-19) abstract; figures 2-7	15

INTERNATIONAL SEARCH REPORT

Information on patent family members

International application No PCT/US2008/005727

Patent document cited in search report	Publication date	Patent family member(s)	Publication date
US 2004266250	A1	30-12-2004	DE 102004022260 A1 09-12-2004
			FR 2854740 A1 12-11-2004
			JP 3948526 B2 25-07-2007
			JP 2004335221 A 25-11-2004
US 2006199423	A1	07-09-2006	NONE
DE 102004054203	A1	11-05-2006	JP 2006140157 A 01-06-2006
			US 2006134966 A1 22-06-2006
EP 1369956	A	10-12-2003	NONE
US 4666227	A	19-05-1987	ES 297142 U 16-03-1989
			FR 2578362 A1 05-09-1986
			IT 1179895 B 16-09-1987
			SE 461885 B 02-04-1990
			SE 8506140 A 29-06-1986
US 4758536	A	19-07-1988	NONE