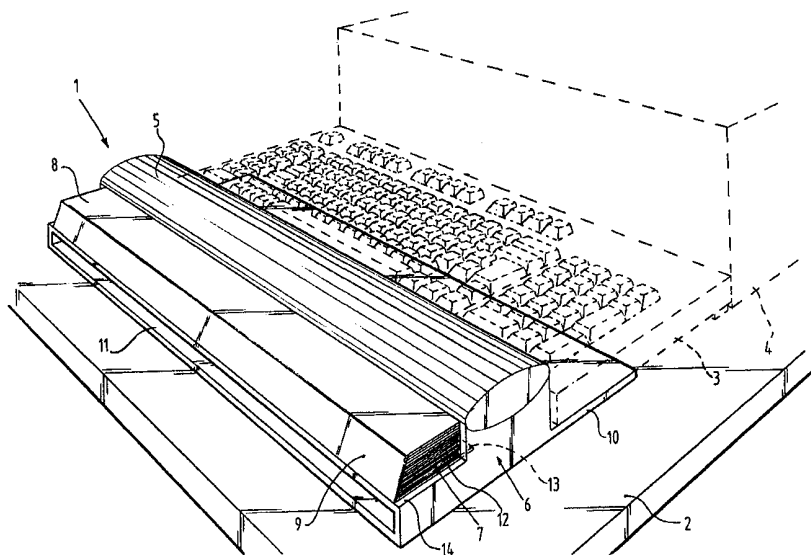




INTERNATIONAL APPLICATION PUBLISHED UNDER THE PATENT COOPERATION TREATY (PCT)

(51) International Patent Classification ⁷ : A47B 21/03, 21/04	A1	(11) International Publication Number: WO 00/02469 (43) International Publication Date: 20 January 2000 (20.01.00)
<p>(21) International Application Number: PCT/NL99/00440</p> <p>(22) International Filing Date: 9 July 1999 (09.07.99)</p> <p>(30) Priority Data: 1009613 10 July 1998 (10.07.98) NL</p> <p>(71)(72) Applicants and Inventors: STEINHAGE, Christoffel, Carolus, Maria [NL/NL]; 's Herensstraat 88, NL-3155 SM Maasland (NL). VAN KOULIL, Petrus, Marinus, Johannes [NL/NL]; Zandstraat 217, NL-4614 CE Bergen Op Zoom (NL). VAN KOULIL-STEINHAGE, Johanna, Elisabeth, Cornelia, Maria [NL/NL]; Zandstraat 217, NL-4614 CE Bergen Op Zoom (NL).</p> <p>(74) Agent: BARTELDS, Erik; Arnold & Siedsma, Sweelinckplein 1, NL-2517 GK The Hague (NL).</p>	<p>(81) Designated States: AE, AL, AM, AT, AU, AZ, BA, BB, BG, BR, BY, CA, CH, CN, CU, CZ, DE, DK, EE, ES, FI, GB, GD, GE, GH, GM, HR, HU, ID, IL, IN, IS, JP, KE, KG, KP, KR, KZ, LC, LK, LR, LS, LT, LU, LV, MD, MG, MK, MN, MW, MX, NO, NZ, PL, PT, RO, RU, SD, SE, SG, SI, SK, SL, TJ, TM, TR, TT, UA, UG, US, UZ, VN, YU, ZA, ZW, ARIPO patent (GH, GM, KE, LS, MW, SD, SL, SZ, UG, ZW), Eurasian patent (AM, AZ, BY, KG, KZ, MD, RU, TJ, TM), European patent (AT, BE, CH, CY, DE, DK, ES, FI, FR, GB, GR, IE, IT, LU, MC, NL, PT, SE), OAPI patent (BF, BJ, CF, CG, CI, CM, GA, GN, GW, ML, MR, NE, SN, TD, TG).</p> <p>Published <i>With international search report. Before the expiration of the time limit for amending the claims and to be republished in the event of the receipt of amendments. In English translation (filed in Dutch).</i></p>	

(54) Title: DEVICE FOR SUPPORTING A BODY PART



(57) Abstract

The invention relates to a device for supporting a body part, in particular a wrist of a user, on a surface, for instance a work surface, which device is provided with at least one cushion and at least one writable medium connected thereto. The writable medium, which can take the form of a plurality of sheets bundled to form a block, can be connected releasably to the cushion. The sheets can herein be bundled to form a block by means of an adhesive edge which is arranged on the side of the block remote from the cushion and which has a contour fitting together well with the cushion.

FOR THE PURPOSES OF INFORMATION ONLY

Codes used to identify States party to the PCT on the front pages of pamphlets publishing international applications under the PCT.

AL	Albania	ES	Spain	LS	Lesotho	SI	Slovenia
AM	Armenia	FI	Finland	LT	Lithuania	SK	Slovakia
AT	Austria	FR	France	LU	Luxembourg	SN	Senegal
AU	Australia	GA	Gabon	LV	Latvia	SZ	Swaziland
AZ	Azerbaijan	GB	United Kingdom	MC	Monaco	TD	Chad
BA	Bosnia and Herzegovina	GE	Georgia	MD	Republic of Moldova	TG	Togo
BB	Barbados	GH	Ghana	MG	Madagascar	TJ	Tajikistan
BE	Belgium	GN	Guinea	MK	The former Yugoslav Republic of Macedonia	TM	Turkmenistan
BF	Burkina Faso	GR	Greece			TR	Turkey
BG	Bulgaria	HU	Hungary	ML	Mali	TT	Trinidad and Tobago
BJ	Benin	IE	Ireland	MN	Mongolia	UA	Ukraine
BR	Brazil	IL	Israel	MR	Mauritania	UG	Uganda
BY	Belarus	IS	Iceland	MW	Malawi	US	United States of America
CA	Canada	IT	Italy	MX	Mexico	UZ	Uzbekistan
CF	Central African Republic	JP	Japan	NE	Niger	VN	Viet Nam
CG	Congo	KE	Kenya	NL	Netherlands	YU	Yugoslavia
CH	Switzerland	KG	Kyrgyzstan	NO	Norway	ZW	Zimbabwe
CI	Côte d'Ivoire	KP	Democratic People's Republic of Korea	NZ	New Zealand		
CM	Cameroon			PL	Poland		
CN	China	KR	Republic of Korea	PT	Portugal		
CU	Cuba	KZ	Kazakstan	RO	Romania		
CZ	Czech Republic	LC	Saint Lucia	RU	Russian Federation		
DE	Germany	LI	Liechtenstein	SD	Sudan		
DK	Denmark	LK	Sri Lanka	SE	Sweden		
EE	Estonia	LR	Liberia	SG	Singapore		

DEVICE FOR SUPPORTING A BODY PART

The invention relates to a device for supporting a body part of a user on a surface. Such supporting devices are known and are used in particular to support parts of the arm of a user on a work surface
5 so as to create an ergonomically responsible working posture and to prevent as far as possible the occurrence of fatigue. Known for instance are wrist supports which are placed along the front edge of a keyboard and on which, as the name already suggests, the user can rest
10 his or her wrists during operation of the keyboard, and wrist supports which are combined with a so-called mouse mat to support the wrist during use of a computer mouse.

A problem which increasingly occurs with work surfaces is that they become filled up with a large
15 number of machines and accessories such that there no longer remains any working space thereon. This can be a problem particularly when notes have to be jotted down, for instance during a telephone conversation.

The invention therefore has for its object to
20 provide a desk accessory with which this problem is resolved. To this end the invention provides a device for supporting a body part, in particular a wrist, of a user on a surface, in particular a work surface, which device is provided with at least one cushion and at least one
25 writable medium connected thereto. By combining the writable medium, which can take the form of for instance a number of sheets bundled to form a block, with the cushion on which the user rests his wrists, the user has available a note-pad which takes up little space, lies at
30 a position which could anyway not be used for other activities and can moreover not be easily mislaid. In addition, a good working posture is enhanced by this note-pad, which is preferably placed on the side of the cushion remote from the keyboard.

Preferred embodiments of the supporting device according to the invention are described in the dependent claims.

The invention will now be elucidated on the basis of an embodiment, wherein reference is made to the annexed drawing which shows a perspective view of a supporting device according to the invention in combination with a keyboard.

A device 1 for supporting the wrists of a user relative to a work surface 2 comprises a housing 6 on which is arranged a cushion 5. This latter is elongate and has dimensions in longitudinal direction roughly corresponding with the width of a keyboard 3 of a computer 4. On the side of the cushion 5 remote from keyboard 3 the housing 6 is provided with a surface 14 on which is arranged a medium 7 on which can be written. This writable medium 7 is formed by a large number of sheets 8 which are mutually connected to form a block by means of an adhesive backing 9. This adhesive backing 9 is herein arranged on the side of sheets 8 remote from cushion 5 and therefore directed toward the user, whereby a robust block is obtained. In the shown embodiment the adhesive backing 9 does not lie transversely of surface 14 but has a slightly sloping or curved form such that the shape of the block fits well with that of cushion 5. If preferred however with an eye to production cost, the adhesive backing 9 could simply take a right-angled form.

Housing 6 is provided on the side remote from writable medium 7 with means 10 for connecting cushion 5 to keyboard 3. In the shown embodiment the connecting means 10 are formed by a protruding part on which rests the side of the keyboard 3 directed toward the user. Supporting device 1 is hereby clamped under keyboard 3. Connecting means 10 could however also be formed by a plate extending under the whole keyboard 3 or by a compartment in which keyboard 3 could be received. Connecting means 10 could however also be omitted,

whereby supporting device 1 could be removed in simple manner and will then take up relatively little space.

The writable medium 7 in the form of a block is releasably connected to the rest of supporting device 1. 5 The block is provided for this purpose with a bottom board 12 which protrudes beyond the end edge of sheets 8 and the protruding end part of which can be pushed and clamped into a slot 13 of housing 6. Other methods of connecting the block to housing 6 can also be envisaged. 10 Protrusions could for instance be arranged on surface 14 of housing 6 and bottom board 12 of the block could be provided with corresponding recesses. A further accommodation space could also be left clear in housing 6 under the writable medium 7, in which space small loose 15 objects such as pens, paperclips and the like can for instance be stored. A spare block could also be kept in this space.

Although the invention is described above with reference to one embodiment, it will be apparent to the 20 skilled person that the invention is not limited thereto. The scope of the invention is defined solely by the appended claims.

CLAIMS

1. Device for supporting a body part of a user on a surface, provided with at least one cushion and at least one writable medium connected thereto.

2. Supporting device as claimed in claim 1,
5 **characterized in that** the writable medium is releasably connected to the cushion.

3. Supporting device as claimed in claim 2,
characterized in that the writable medium takes the form of a sheet.

10 4. Supporting device as claimed in claim 3,
characterized by a plurality of sheets bundled to form a block.

5. Supporting device as claimed in claim 4,
characterized in that the sheets are bundled to form a
15 block by means of an adhesive edge arranged on the side of the block remote from the cushion.

6. Supporting device as claimed in claim 5,
characterized in that the adhesive edge has a contour fitting together well with the cushion.

20 7. Supporting device as claimed in any of the claims 4-6, **characterized in that** the block is connected to the cushion by means of a clamp or hook connection.

8. Supporting device as claimed in any of the foregoing claims, **characterized in that** the surface is a
25 work surface and the device is intended to support the wrist of the user.

9. Supporting device as claimed in claim 8,
characterized in that the cushion is elongate and the writable medium is arranged along a long side of the
30 cushion.

10. Supporting device as claimed in claim 8 or 9, **characterized by** means for connecting the cushion to a machine to be operated by the user.

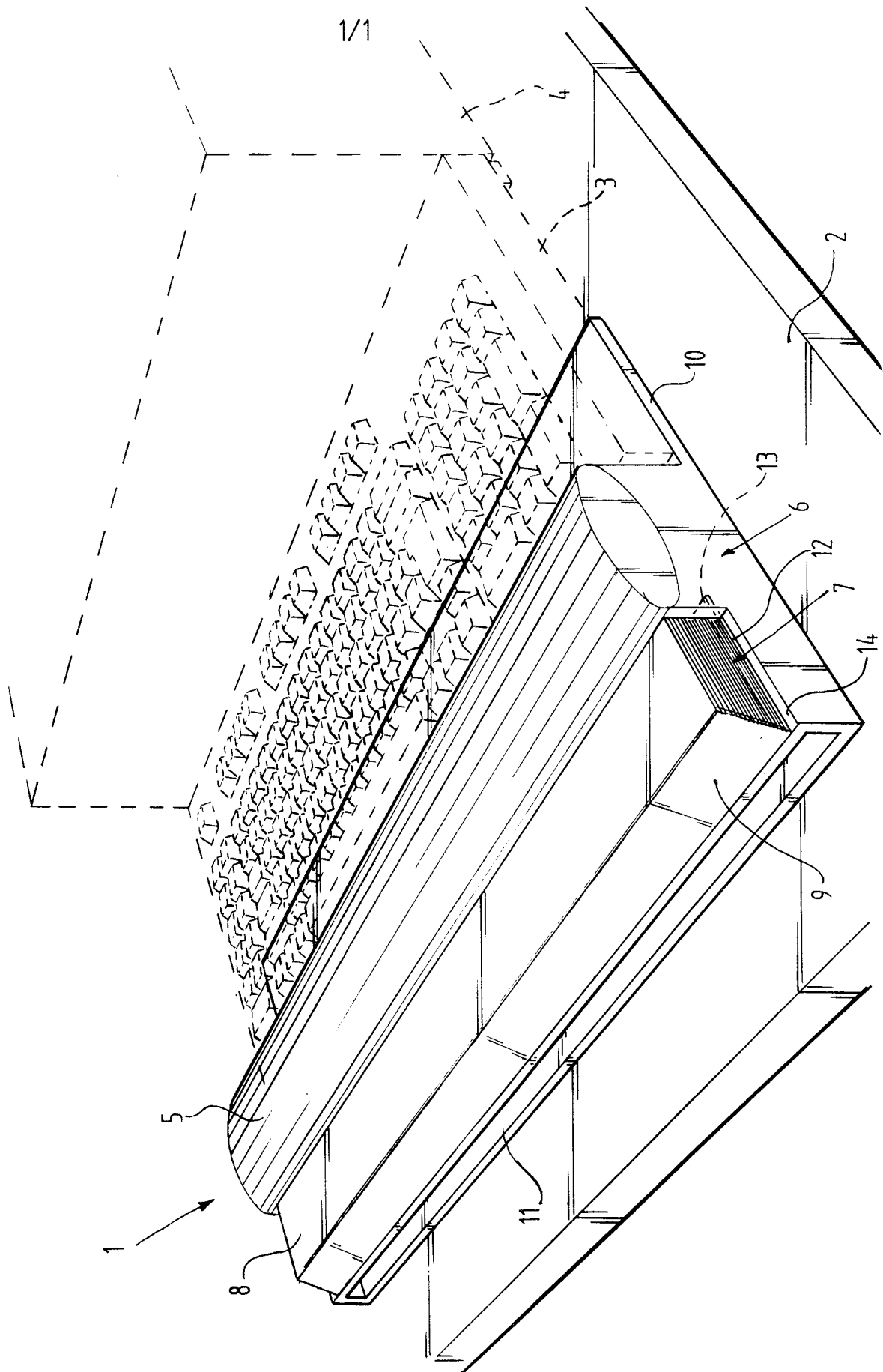
11. Supporting device as claimed in claim 10,
35 **characterized in that** the connecting means are arranged

on the side of the cushion located opposite the writable medium.

12. Supporting device as claimed in claim 11, **characterized in that** the connecting means have a protruding edge for clamping under the machine.

13. Cushion evidently intended for use in a supporting device as claimed in any of the foregoing claims.

14. Writable medium evidently intended for use in a supporting device as claimed in any of the claims 1-12.



INTERNATIONAL SEARCH REPORT

Inter: onal Application No

PCT/NL 99/00440

A. CLASSIFICATION OF SUBJECT MATTER
 IPC 7 A47B21/03 A47B21/04

According to International Patent Classification (IPC) or to both national classification and IPC

B. FIELDS SEARCHED

Minimum documentation searched (classification system followed by classification symbols)

IPC 7 A47B

Documentation searched other than minimum documentation to the extent that such documents are included in the fields searched

Electronic data base consulted during the international search (name of data base and, where practical, search terms used)

C. DOCUMENTS CONSIDERED TO BE RELEVANT

Category *	Citation of document, with indication, where appropriate, of the relevant passages	Relevant to claim No.
X	GB 2 304 642 A (JE-HO YUN) 26 March 1997 (1997-03-26) the whole document -----	1-4, 7-14

Further documents are listed in the continuation of box C.

Patent family members are listed in annex.

* Special categories of cited documents :

"A" document defining the general state of the art which is not considered to be of particular relevance

"E" earlier document but published on or after the international filing date

"L" document which may throw doubts on priority claim(s) or which is cited to establish the publication date of another citation or other special reason (as specified)

"O" document referring to an oral disclosure, use, exhibition or other means

"P" document published prior to the international filing date but later than the priority date claimed

"T" later document published after the international filing date or priority date and not in conflict with the application but cited to understand the principle or theory underlying the invention

"X" document of particular relevance; the claimed invention cannot be considered novel or cannot be considered to involve an inventive step when the document is taken alone

"Y" document of particular relevance; the claimed invention cannot be considered to involve an inventive step when the document is combined with one or more other such documents, such combination being obvious to a person skilled in the art.

"&" document member of the same patent family

Date of the actual completion of the international search

15 November 1999

Date of mailing of the international search report

25/11/1999

Name and mailing address of the ISA

European Patent Office, P.B. 5818 Patentlaan 2
 NL - 2280 HV Rijswijk
 Tel. (+31-70) 340-2040, Tx. 31 651 epo nl,
 Fax: (+31-70) 340-3016

Authorized officer

Noesen, R

INTERNATIONAL SEARCH REPORT

Information on patent family members

International Application No

PCT/NL 99/00440

Patent document cited in search report	Publication date	Patent family member(s)	Publication date
GB 2304642 A	26-03-1997	US 5826840 A	27-10-1998