



US0D1051471S

(12) **United States Design Patent**  
**Summers et al.**

(10) **Patent No.:** **US D1,051,471 S**

(45) **Date of Patent:** **\*\* Nov. 12, 2024**

(54) **LIGHT FIXTURE**

(71) Applicant: **Christopher Boots Pty Ltd**, Fitzroy (AU)

(72) Inventors: **Bruce Jeffrey Summers**, Fitzroy (AU); **Christopher Damien Boutsinis**, Fitzroy (AU); **Samuel Alexander Fuller**, Brunswick East (AU)

(73) Assignee: **Christopher Boots Pty Ltd**, Fitzroy (AU)

(\*\*) Term: **15 Years**

(21) Appl. No.: **29/762,231**

(22) Filed: **Dec. 15, 2020**

(30) **Foreign Application Priority Data**

Jun. 15, 2020 (AU) ..... 202013313  
Jun. 15, 2020 (AU) ..... 202013314

(51) **LOC (14) Cl.** ..... **26-05**

(52) **U.S. Cl.**  
USPC ..... **D26/90**

(58) **Field of Classification Search**  
USPC ..... D26/80-91, 118, 128  
CPC .... F21S 8/03; F21S 8/033; F21S 8/036; F21S 8/04; F21S 8/043; F21S 8/046; F21S 8/06; F21S 8/061; F21S 8/063; F21S 8/065; F21S 8/068  
See application file for complete search history.

(56) **References Cited**

**U.S. PATENT DOCUMENTS**

D304,768 S \* 11/1989 Dicola ..... D26/84  
D618,843 S \* 6/2010 Sabernig ..... D26/88  
D719,698 S \* 12/2014 Mollaghaffari ..... D26/88  
D791,388 S \* 7/2017 Sonneman ..... D26/90  
D792,633 S \* 7/2017 Sonneman ..... D26/90

D851,806 S \* 6/2019 Richardson ..... D26/81  
D889,724 S \* 7/2020 Richardson ..... D26/81  
D919,872 S \* 5/2021 Hendifar ..... D26/83  
D920,558 S \* 5/2021 Amato ..... D26/81  
D920,559 S \* 5/2021 Hendifar ..... D26/83  
D948,099 S \* 4/2022 Coombes ..... D26/81  
D948,100 S \* 4/2022 Coombes ..... D26/81

(Continued)

**FOREIGN PATENT DOCUMENTS**

CN 308075851 \* 6/2023  
CN 308086324 \* 6/2023  
KR 300893280.0000 \* 2/2017

**OTHER PUBLICATIONS**

Jamie Pendant Nickel, available in <https://www.amazon.com/>, posted: Dec. 3, 2021 [online], [site visited: Oct. 21, 2023], Internet URL: <https://www.amazon.com/AFX-JAMP25MBSN-Jamie-Pendant-Nickel/dp/B09MZV8GWR?th=1> (Year: 2021).\*

(Continued)

*Primary Examiner* — Sheryl Lane  
*Assistant Examiner* — Kathryn Elizabeth Chambers  
(74) *Attorney, Agent, or Firm* — Banner & Witcoff, Ltd.

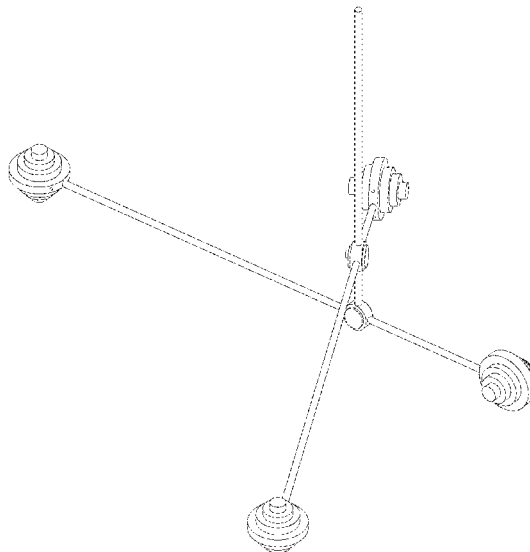
(57) **CLAIM**

The ornamental design for a light fixture as shown and described.

**DESCRIPTION**

FIG. 1 is a front top perspective view of a light fixture showing our new design;  
FIG. 2 is a front view thereof;  
FIG. 3 is a rear view thereof;  
FIG. 4 is a left side view thereof;  
FIG. 5 is a right side view thereof;  
FIG. 6 is a top view thereof; and,  
FIG. 7 is a bottom view thereof.

**1 Claim, 5 Drawing Sheets**



(56)

**References Cited**

U.S. PATENT DOCUMENTS

D952,927 S \* 5/2022 Van Duysen ..... D26/81  
D1,002,060 S \* 10/2023 Yang ..... D26/81

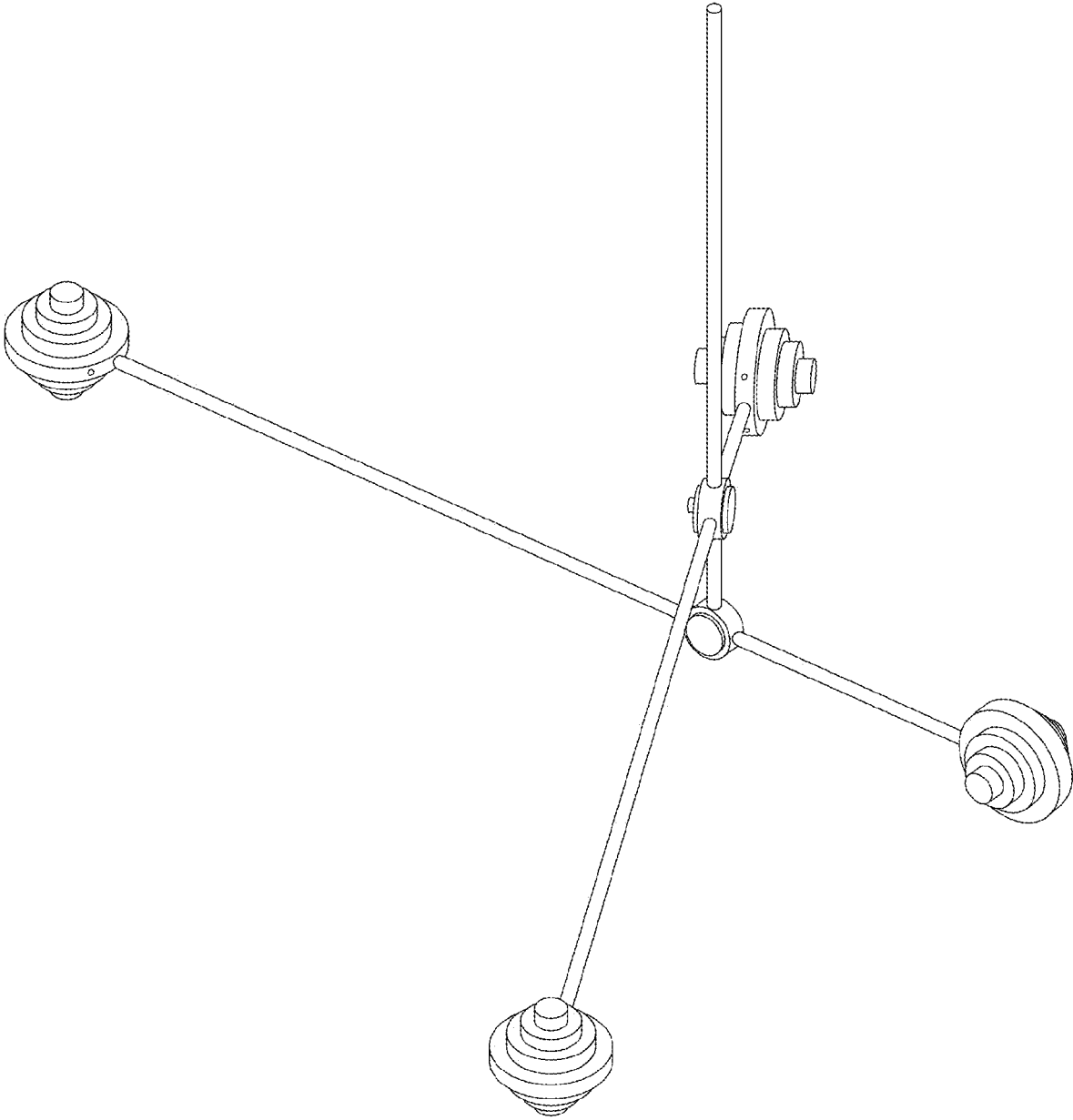
OTHER PUBLICATIONS

Livex Chandelier, available in <https://www.amazon.com/>, posted: Jul. 6, 2020 [online], [site visited: Oct. 21, 2023], Internet URL: <https://www.amazon.com/Livex-Lighting-45864-03-Bannister-Chandelier/dp/B08CG29RM6?th=1> (Year: 2020).\*

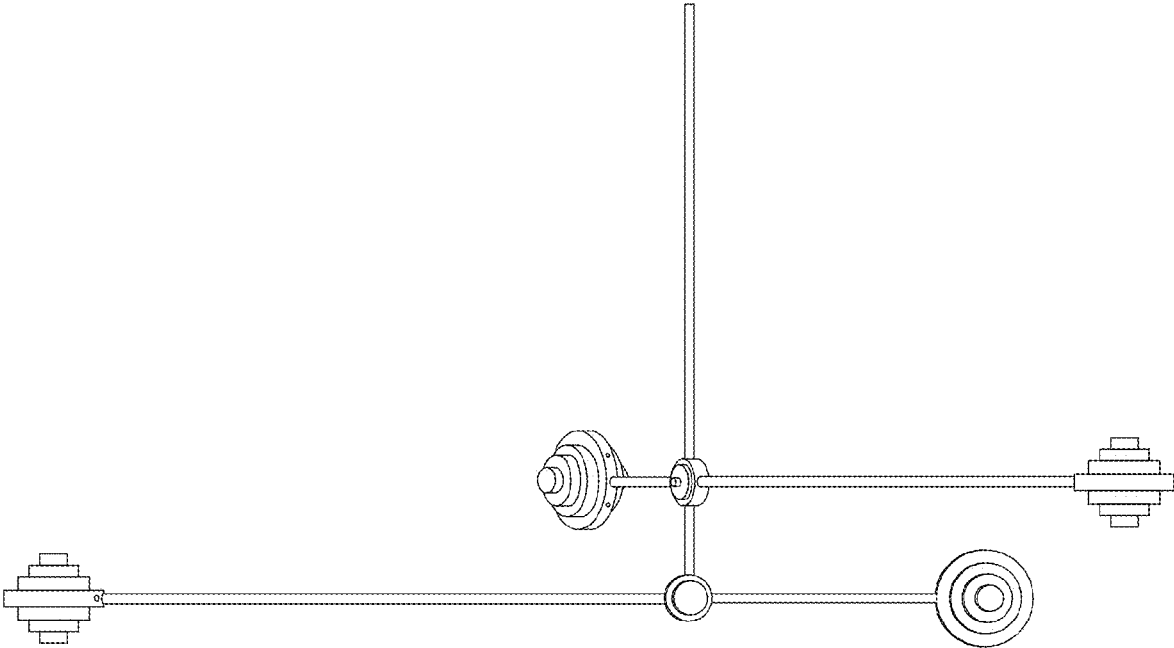
Eglo 5 light Chandelier, available in <https://www.amazon.com/>, posted: Jul. 9, 2019 [online], [site visited: Oct. 21, 2023], Internet URL: [https://www.amazon.com/dp/B0BCY4R2FQ/ref=sbl\\_dpx\\_lighting-chandeliers\\_B07V46WFLP\\_0](https://www.amazon.com/dp/B0BCY4R2FQ/ref=sbl_dpx_lighting-chandeliers_B07V46WFLP_0) (Year: 2019).\*

Eglo 4 Light Pendant, available in <https://www.amazon.com/>, posted: Jul. 9, 2019 [online], [site visited: Oct. 21, 2023], Internet URL: [https://www.amazon.com/Eglo-203968A-4-Light-Pendant/dp/B07V443WCM/ref=d\\_hc\\_ssr\\_dpx\\_vcr\\_sec1\\_2\\_2/130-7437158-7284508?pd\\_rd\\_w=4YzVG&content-id=amzn1](https://www.amazon.com/Eglo-203968A-4-Light-Pendant/dp/B07V443WCM/ref=d_hc_ssr_dpx_vcr_sec1_2_2/130-7437158-7284508?pd_rd_w=4YzVG&content-id=amzn1) (Year: 2019).\*

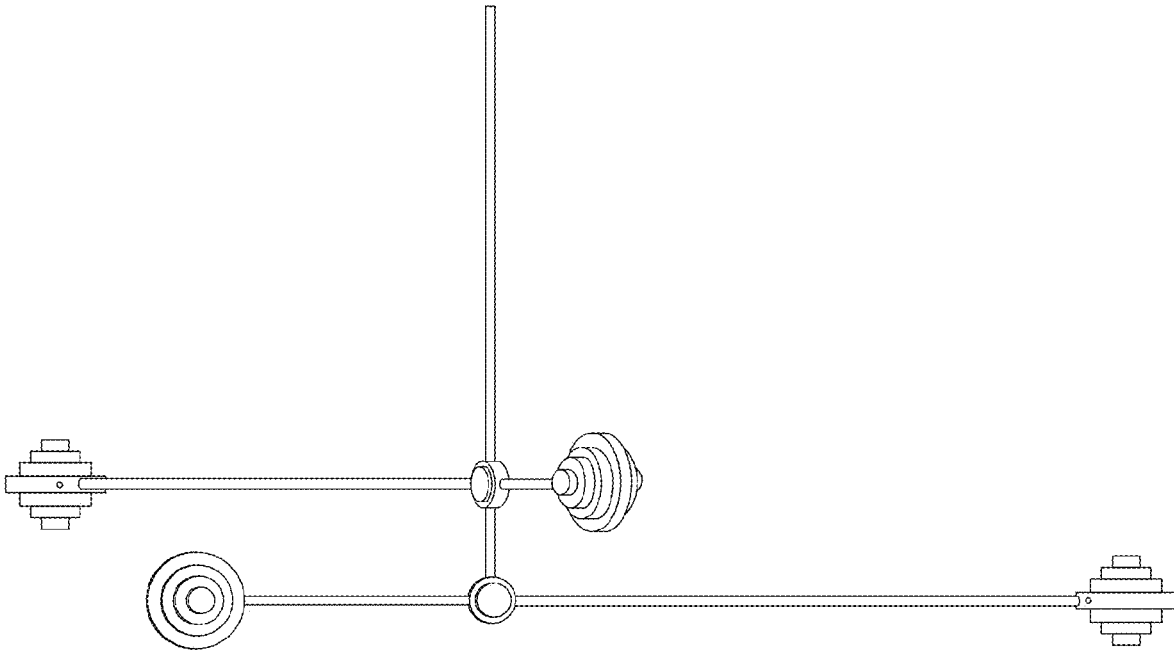
\* cited by examiner



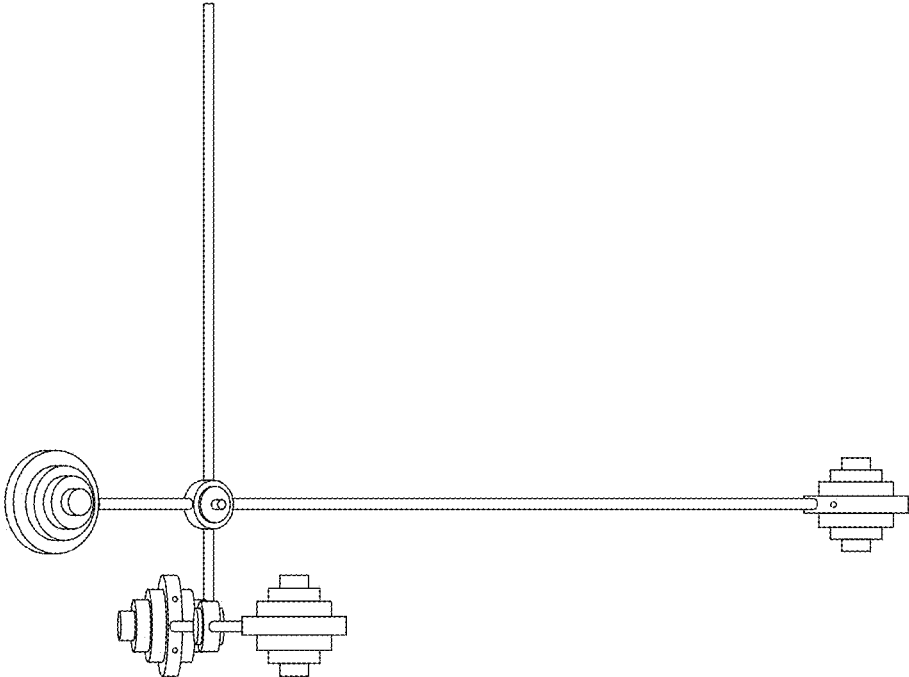
**FIG. 1**



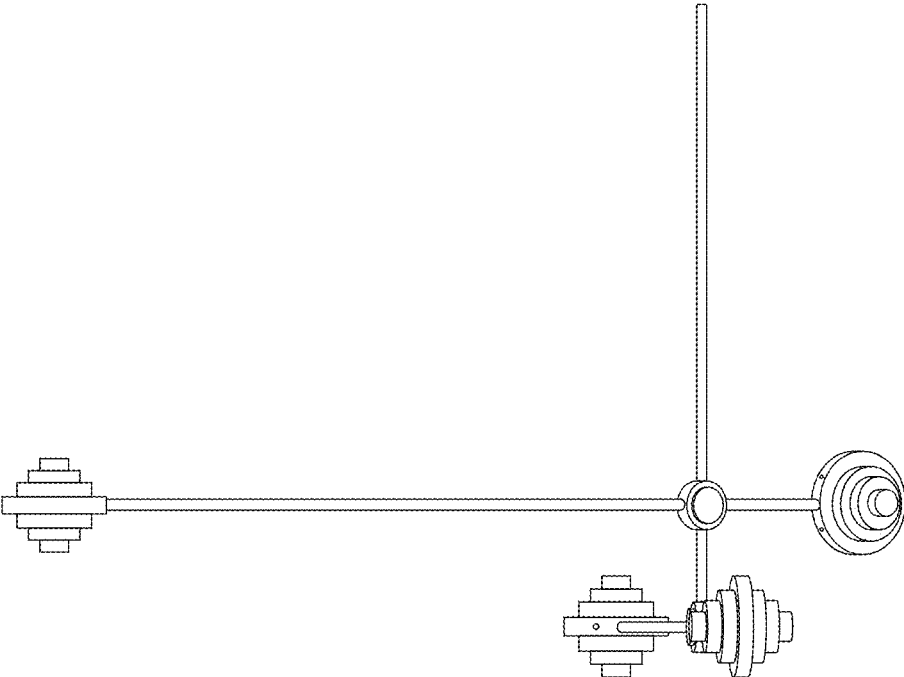
**FIG. 2**



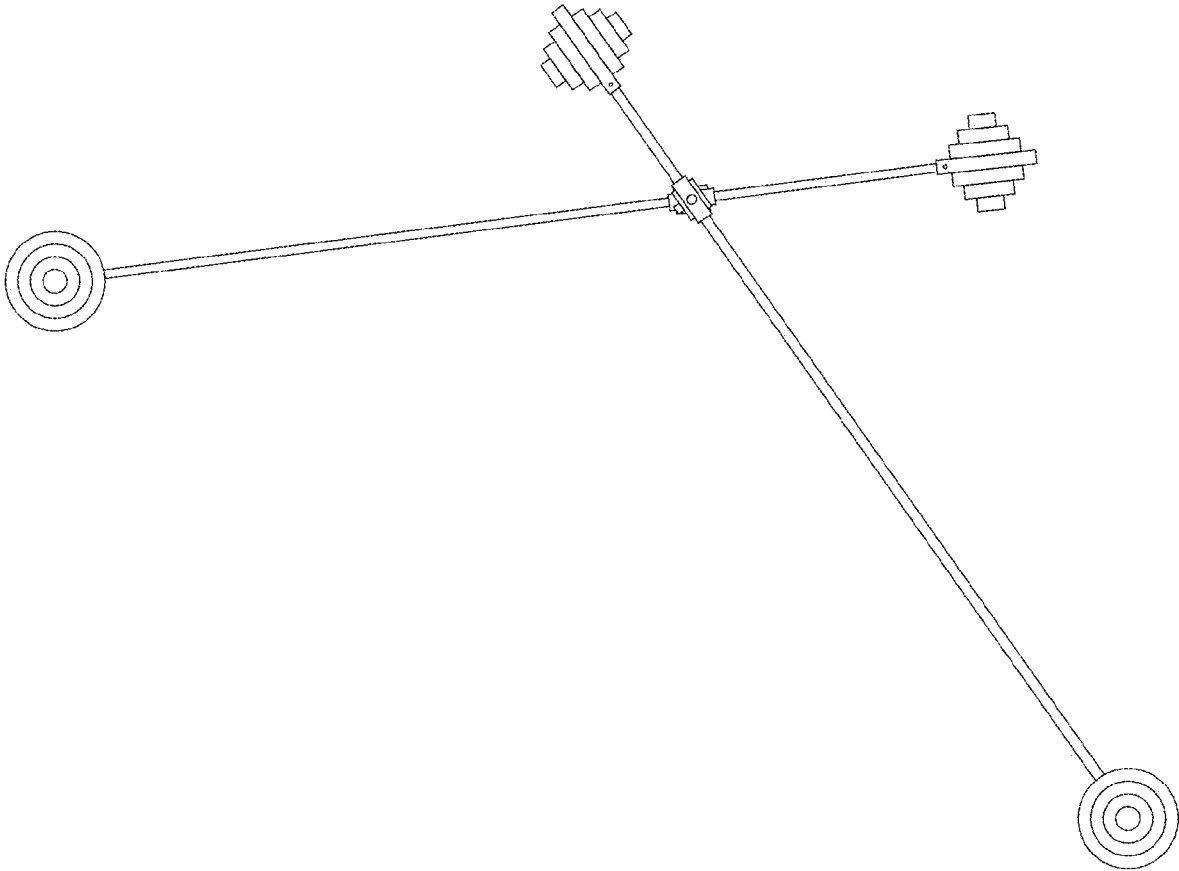
**FIG. 3**



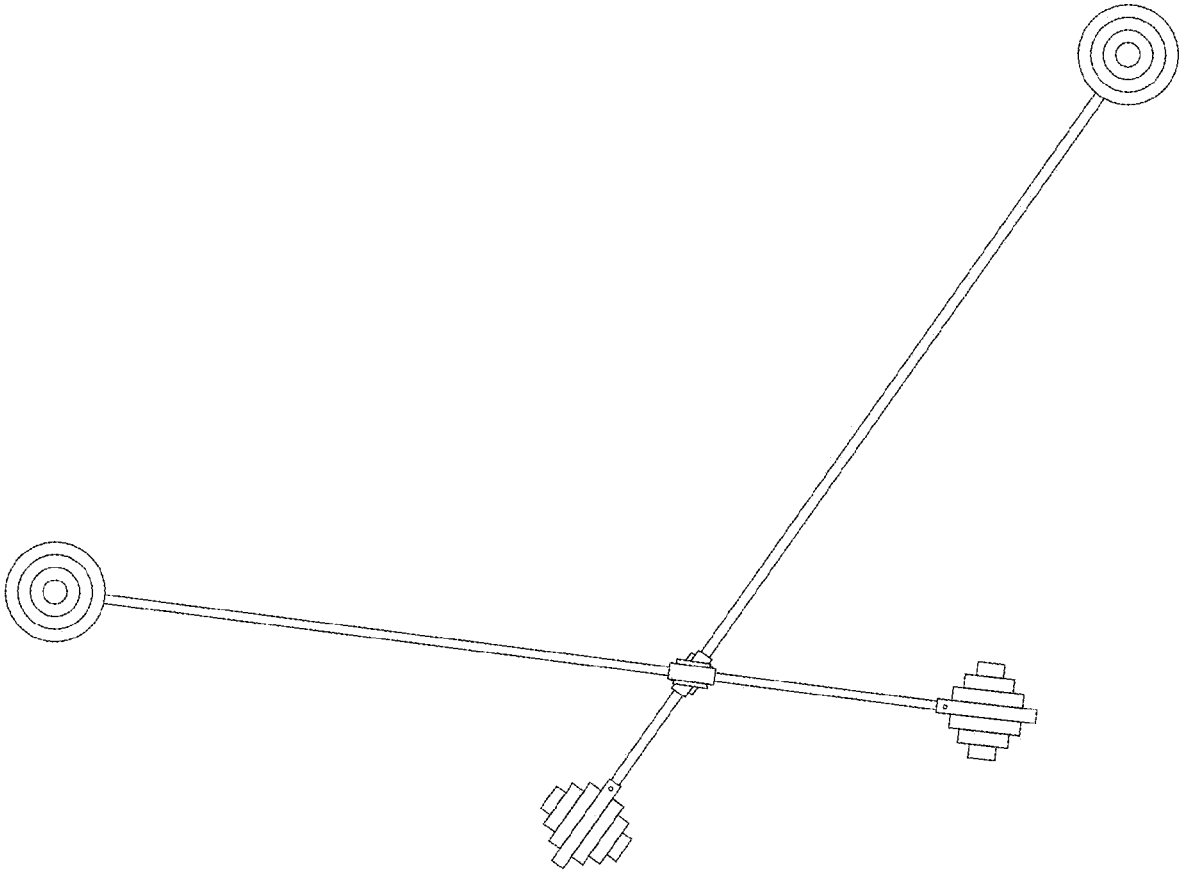
**FIG. 4**



**FIG. 5**



**FIG. 6**



**FIG. 7**