



US00D937436S

(12) **United States Design Patent**  
**He**

(10) **Patent No.:** **US D937,436 S**

(45) **Date of Patent:** **\*\* Nov. 30, 2021**

- (54) **WHITE NOISE MACHINE**
- (71) Applicant: **SHENZHEN MEIDA HONGDA TECHNOLOGY CO., LTD.**, Shenzhen (CN)
- (72) Inventor: **Yiqiang He**, Meizhou (CN)
- (73) Assignee: **SHENZHEN MEIDA HONGDA TECHNOLOGY CO., LTD.**, Shenzhen (CN)
- (\*\*) Term: **15 Years**
- (21) Appl. No.: **29/775,299**
- (22) Filed: **Mar. 23, 2021**
- (51) **LOC (13) Cl.** ..... **24-99**
- (52) **U.S. Cl.**  
USPC ..... **D24/231**
- (58) **Field of Classification Search**  
USPC ..... D24/231; D26/51; D14/496, 216, 299,  
D14/203.1, 204, 314, 358; D9/504;  
D28/89; D13/108; D3/203.1  
CPC ..... A61M 21/00; A61F 11/08; G01K 15/04;  
G01K 11/17855  
See application file for complete search history.

D627,650	S	*	11/2010	Yeung	.....	D9/504
D655,079	S	*	3/2012	Patenaude	.....	D3/203.1
D664,853	S	*	8/2012	Kipry	.....	D9/504
D681,278	S	*	4/2013	Schlatter	.....	D28/89
D731,465	S	*	6/2015	Khubani	.....	D14/216
D802,022	S	*	11/2017	Yao	.....	D14/496
D815,150	S	*	4/2018	Hu	.....	D14/496
D843,418	S	*	3/2019	Demin	.....	D14/496
D847,373	S	*	4/2019	Hurwit	.....	D24/231
D855,467	S	*	8/2019	McCay	.....	D9/504
D862,731	S	*	10/2019	Hu	.....	D24/231
D865,716	S	*	11/2019	Kuang	.....	D14/216
D868,034	S	*	11/2019	Summerson	.....	D14/216
D869,503	S	*	12/2019	Johnson	.....	D14/496
D870,663	S	*	12/2019	Schubert	.....	D13/108
D870,704	S	*	12/2019	Leung	.....	D14/216
D876,818	S	*	3/2020	Lieberman	.....	D3/203.1
D883,275	S	*	5/2020	Zhang	.....	D14/299

(Continued)

Primary Examiner — Rhea Shields

(57) **CLAIM**

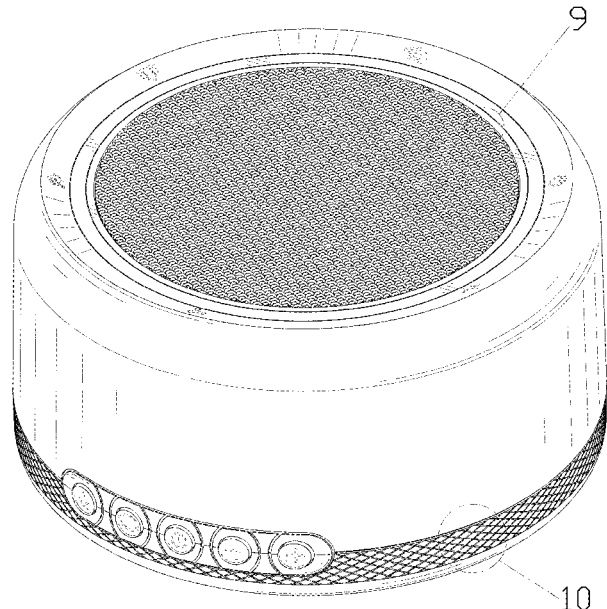
The ornamental design for a white noise machine, as shown and described.

**DESCRIPTION**

FIG. 1 is a perspective view of a white noise machine showing my new design;  
 FIG. 2 is another perspective view thereof;  
 FIG. 3 is a front elevational view thereof;  
 FIG. 4 is a rear elevational view thereof;  
 FIG. 5 is a left side elevational view thereof;  
 FIG. 6 is a right side elevational view thereof;  
 FIG. 7 is a top plan view thereof;  
 FIG. 8 is a bottom plan view thereof;  
 FIG. 9 is an enlarged view of portion 9 shown in FIG. 1; and,  
 FIG. 10 is an enlarged view of portion 10 shown in FIG. 1.  
 The broken lines in the drawings depict portions of the white noise machine that form no part of the claimed design.

**1 Claim, 10 Drawing Sheets**

- (56) **References Cited**  
U.S. PATENT DOCUMENTS
- 2,644,153 A \* 6/1953 Beazley ..... A61M 21/00  
340/384.72
- 3,121,220 A \* 2/1964 Buckwalter ..... A61M 21/00  
340/404.2
- D311,065 S \* 10/1990 Theisen ..... D24/231
- D381,019 S \* 7/1997 Muller ..... D24/231
- 7,464,786 B2 \* 12/2008 Falco ..... A61F 11/08  
181/135
- D584,290 S \* 1/2009 Lee ..... D14/216



(56)

**References Cited**

## U.S. PATENT DOCUMENTS

D883,329	S	*	5/2020	Shi	.....	D14/496
D884,668	S	*	5/2020	Kim	.....	D14/204
D886,079	S	*	6/2020	Feng	.....	D14/216
D886,786	S	*	6/2020	Chen	.....	D14/204
D886,794	S	*	6/2020	Johnson	.....	D14/204
D888,688	S	*	6/2020	Xie	.....	D14/216
D889,434	S	*	7/2020	Xie	.....	D14/216
D894,963	S	*	9/2020	Li	.....	D14/496
D900,788	S	*	11/2020	Wang	.....	D14/216
D905,011	S		12/2020	Chen		
D916,051	S	*	4/2021	Wang	.....	D14/216
D920,538	S	*	5/2021	Zhang	.....	D24/231
D925,083	S	*	7/2021	Taylor	.....	D26/51
D929,990	S	*	9/2021	Maruyama	.....	D14/358
D931,828	S	*	9/2021	Xiong	.....	D14/203.1
2019/0172439	A1	*	6/2019	Dennis	.....	G10K 11/17855
2019/0348019	A1	*	11/2019	Lazar	.....	G10K 15/04

\* cited by examiner

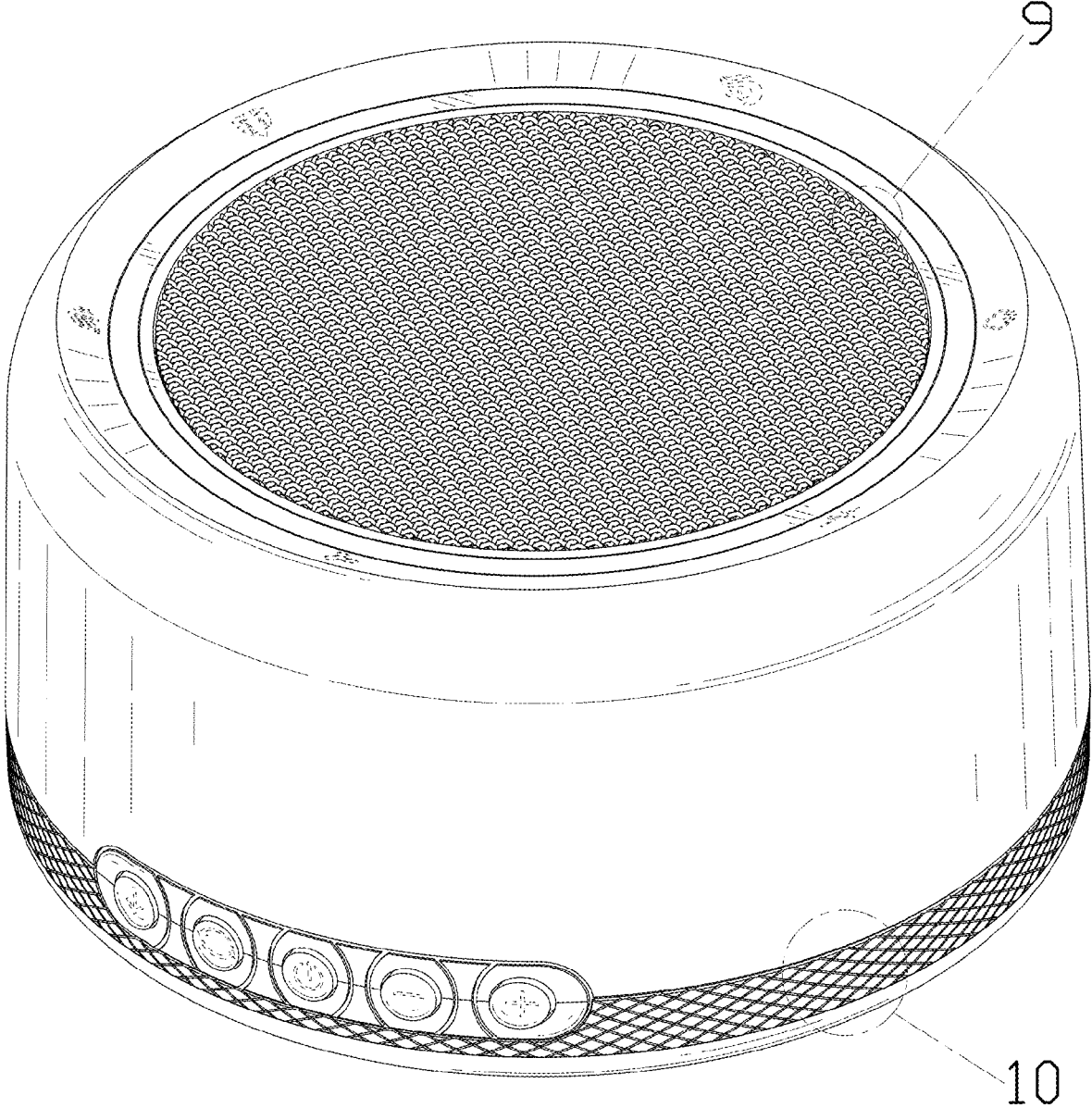


FIG. 1

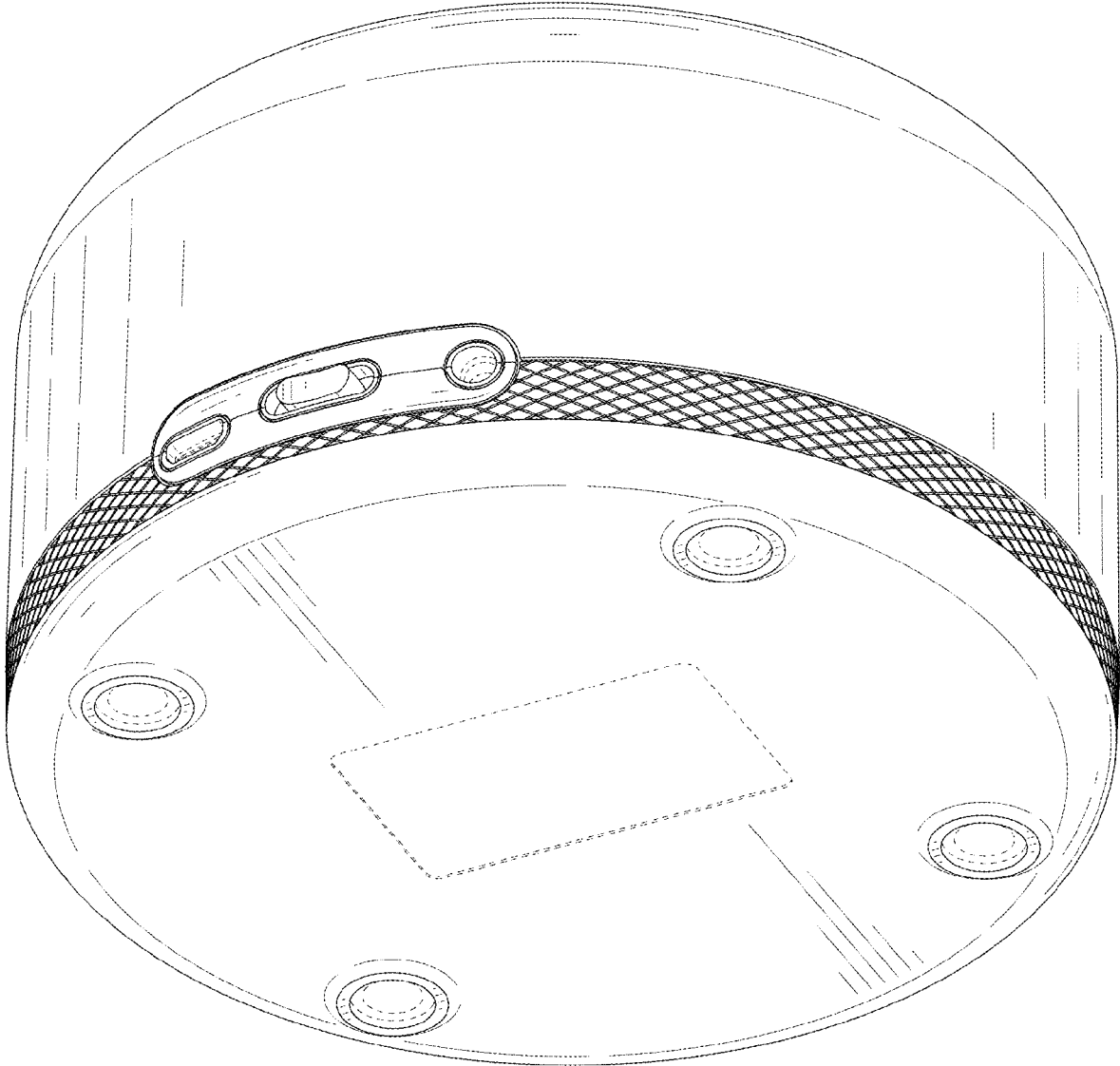


FIG. 2

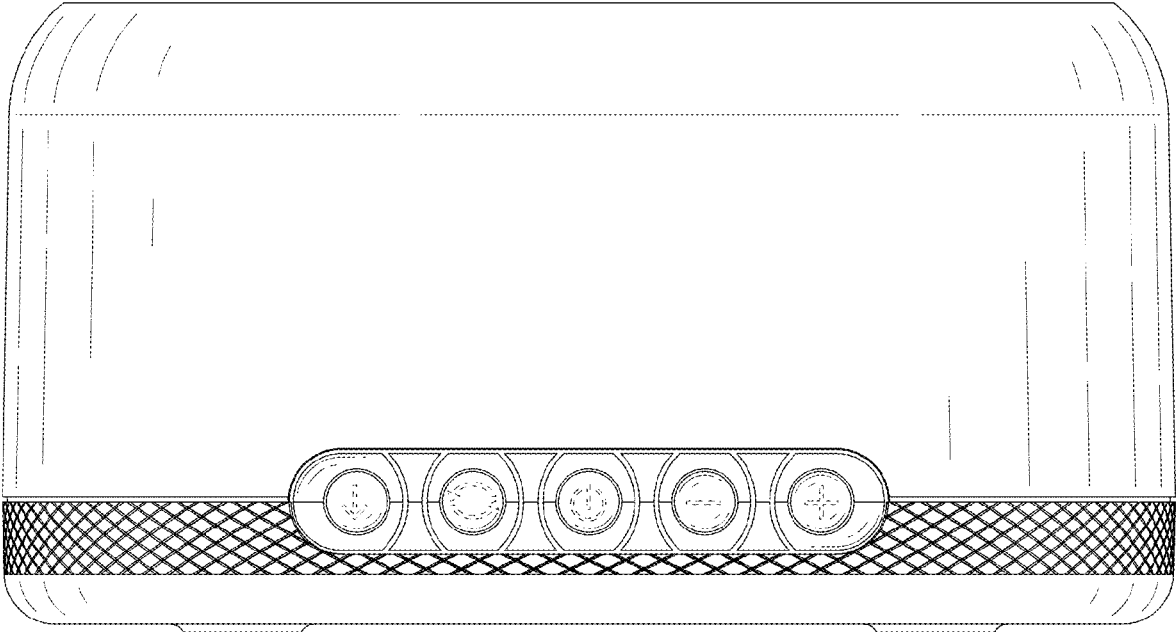


FIG. 3

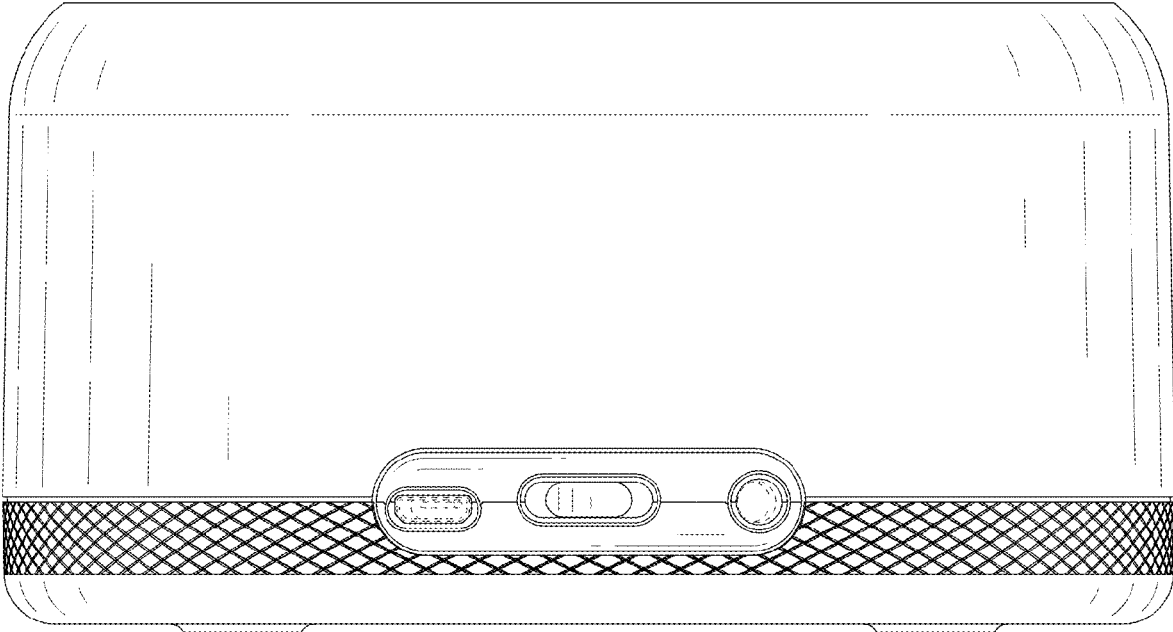


FIG. 4

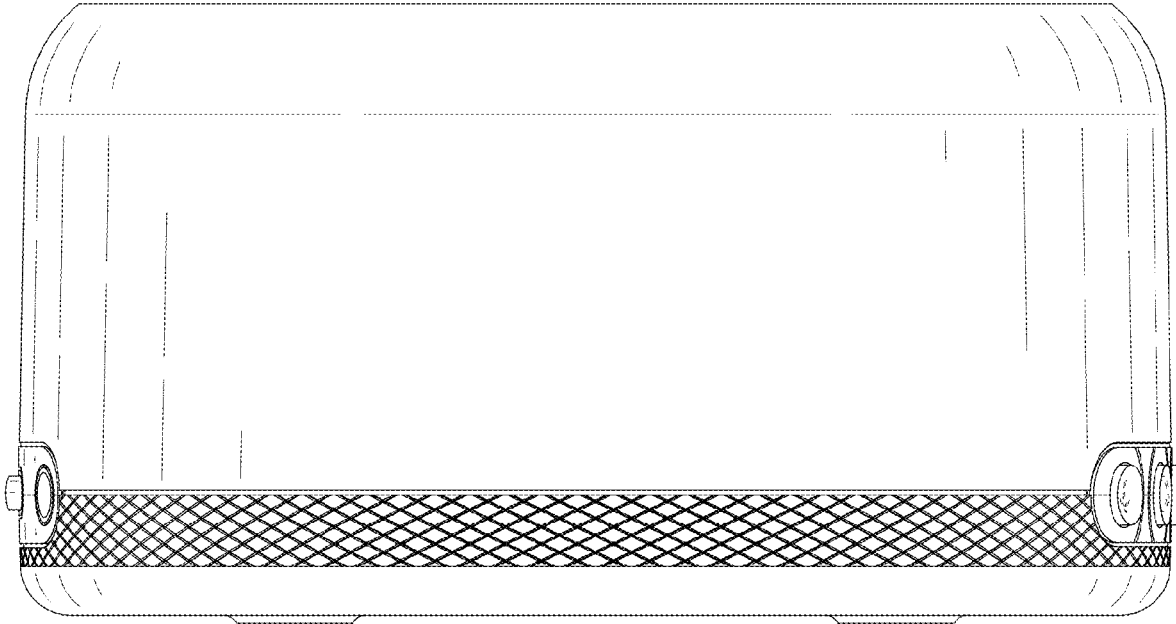


FIG. 5

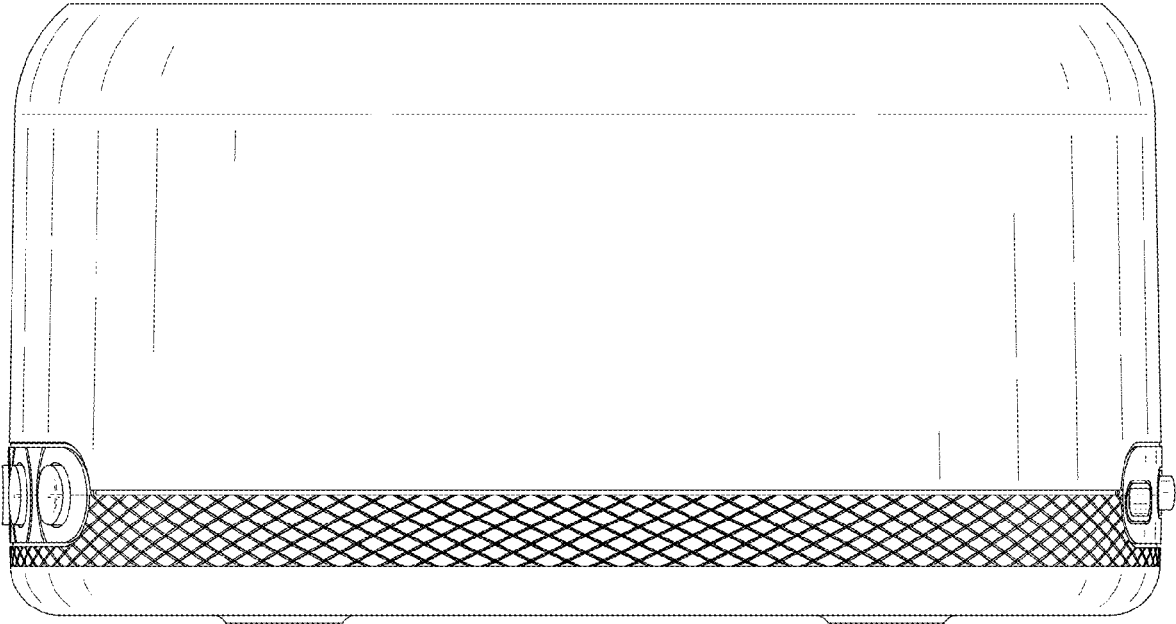


FIG. 6



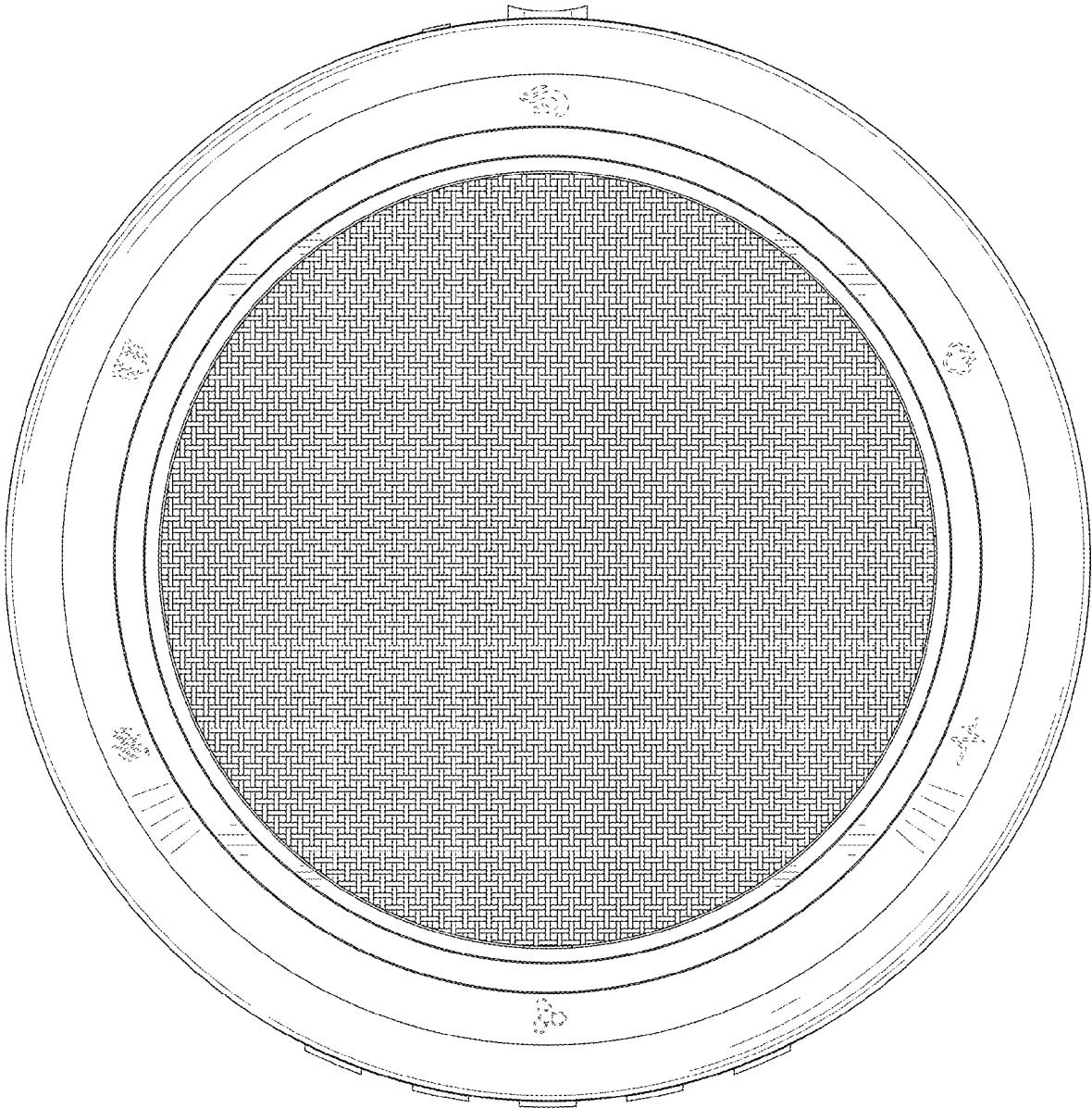


FIG. 7

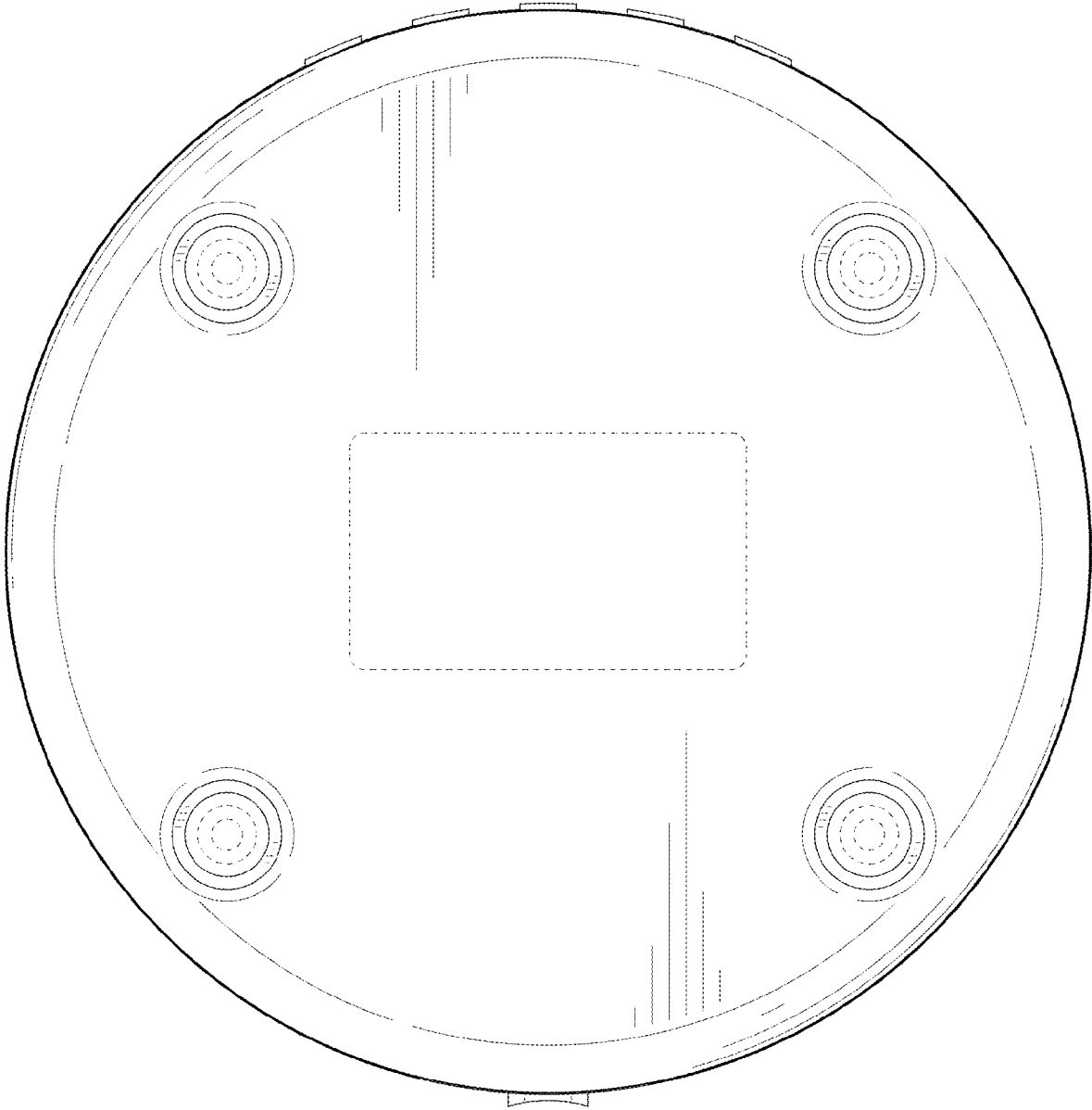


FIG. 8

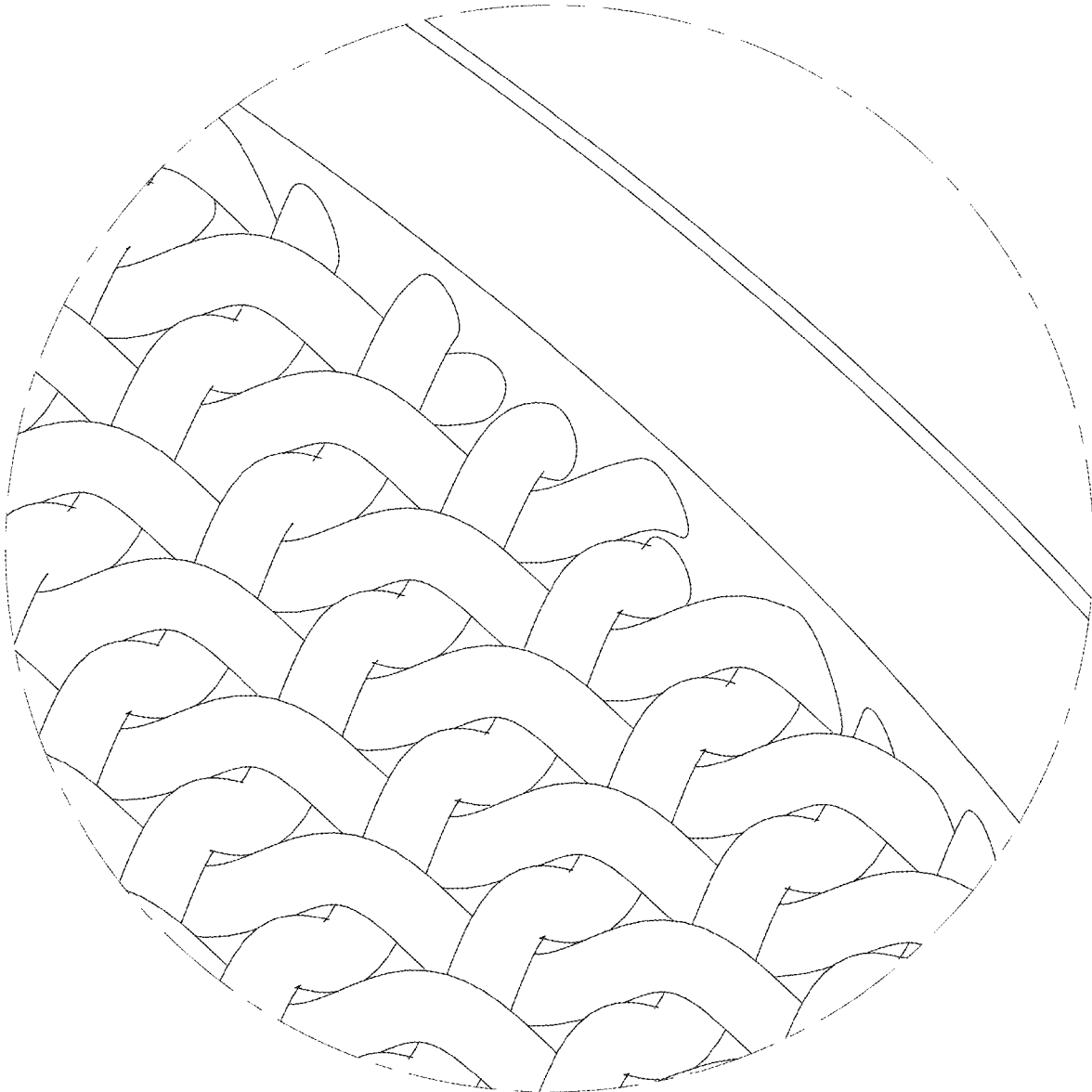


FIG. 9

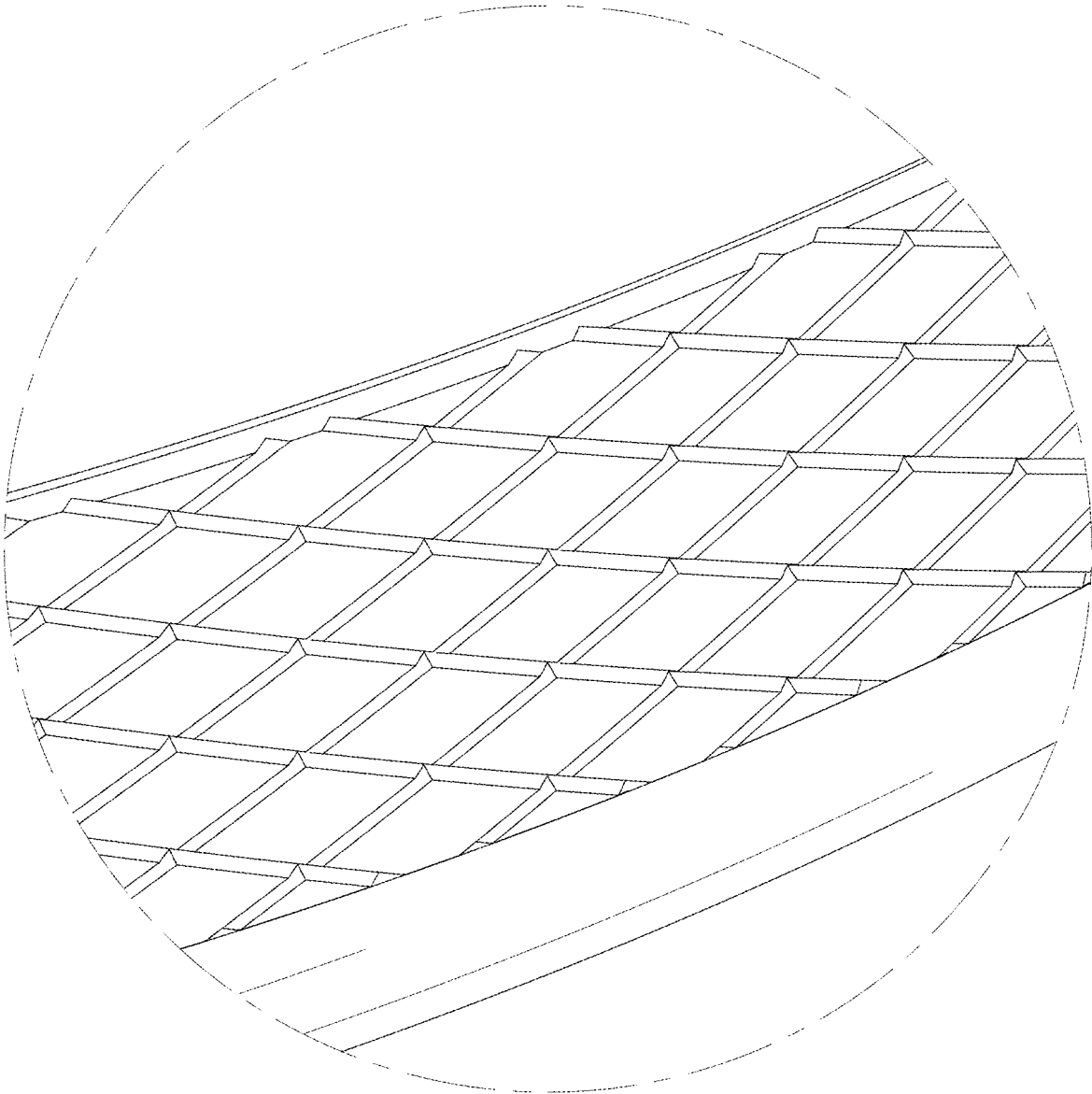


FIG. 10