



US00D754033S

(12) **United States Design Patent**
Angelfoss et al.

(10) **Patent No.:** **US D754,033 S**
(45) **Date of Patent:** **** Apr. 19, 2016**

(54) **STROLLER CHASSIS**

(71) Applicant: **Stokke AS, Ålesund (NO)**

(72) Inventors: **Hilde Angelfoss, Ålesund (NO);**
Hans-Cato Slotterøy, Ålesund (NO);
Alf Vegard Fjelland, Ålesund (NO);
Eivind Halseth, Ålesund (NO); Oscar
Johansen, Ålesund (NO)

(73) Assignee: **STOKKE AS (NO)**

(**) Term: **14 Years**

(21) Appl. No.: **29/511,707**

(22) Filed: **Dec. 12, 2014**

(30) **Foreign Application Priority Data**

Jun. 30, 2014 (NO) 20140635

(51) **LOC (10) Cl.** **12-12**

(52) **U.S. Cl.**
USPC **D12/129**

(58) **Field of Classification Search**
USPC D12/128-129, 130
CPC B62B 7/00-7/04; B62B 9/00-9/28
See application file for complete search history.

(56) **References Cited**

U.S. PATENT DOCUMENTS

D375,707 S * 11/1996 Yang D12/129
D493,020 S 7/2004 Resfum
D505,366 S 5/2005 Refsum et al.
D519,258 S 4/2006 Resfum
D519,422 S * 4/2006 Huang D12/129
D526,601 S 8/2006 Oxseth
7,267,359 B1 * 9/2007 Yang B62B 7/08
280/47.34

7,364,171 B2 * 4/2008 Hu B60B 1/006
280/47.38
D578,044 S * 10/2008 Chen D12/129
D580,828 S 11/2008 Chen
D585,336 S 1/2009 van Buul et al.
D596,996 S * 7/2009 Yang D12/129
D621,306 S * 8/2010 Liao D12/129
D631,401 S 1/2011 Bagwell et al.
D631,402 S 1/2011 Bagwell et al.
D643,343 S * 8/2011 Song D12/129
D643,786 S 8/2011 Barenbrug
8,033,555 B2 10/2011 Mostert et al.
D651,139 S 12/2011 Angelfoss et al.
D654,409 S 2/2012 Angelfoss et al.
D661,624 S * 6/2012 Stopp D12/129
D672,692 S * 12/2012 Jane Santamaria D12/129
D677,605 S * 3/2013 Ide D12/129
D693,743 S 11/2013 Slotteroy et al.
D699,159 S 2/2014 Slotteroy et al.

* cited by examiner

Primary Examiner — Susan Bennett Hattan

Assistant Examiner — Charles Hanson

(74) *Attorney, Agent, or Firm* — Kolisch Hartwell, P.C.

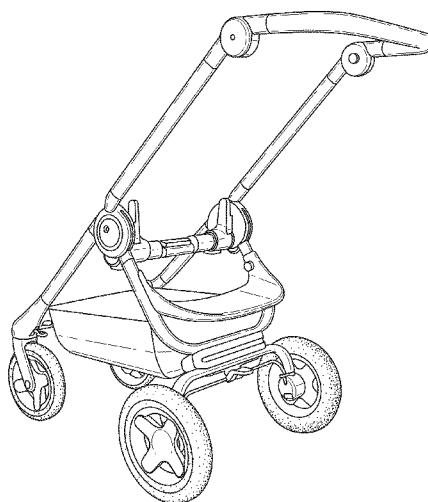
(57) **CLAIM**

I claim the ornamental design for a stroller chassis, as shown and described.

DESCRIPTION

FIG. 1 is a rear and left perspective view of a stroller chassis according to the new design;
FIG. 2 is a front elevational view thereof;
FIG. 3 is a rear elevational view thereof;
FIG. 4 is a left side elevational view thereof;
FIG. 5 is a right side elevational view thereof;
FIG. 6 is a top plan view thereof; and,
FIG. 7 is a bottom plan view thereof.
The broken line showing in FIG. 2 is included for the purpose of illustrating environment and forms no part of the claimed design.

1 Claim, 7 Drawing Sheets



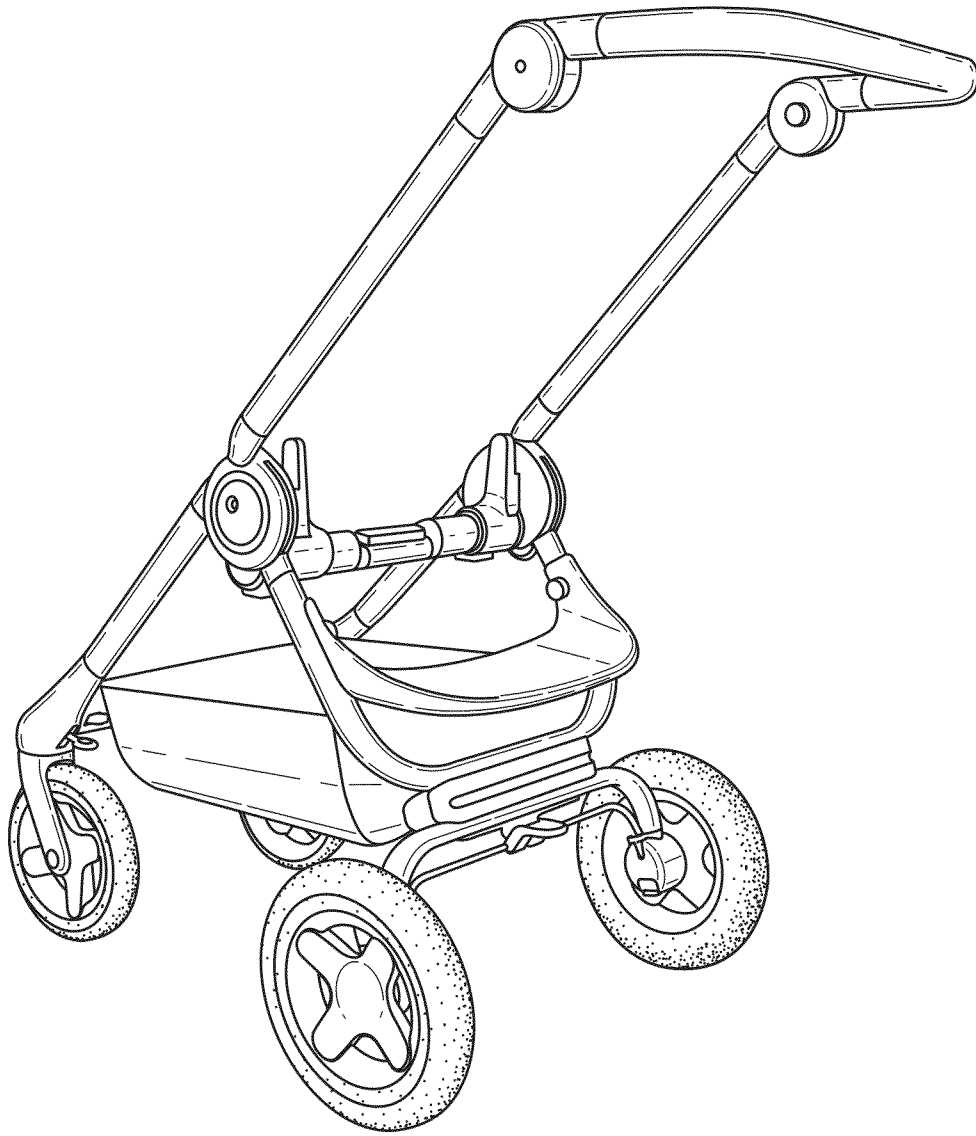


Fig. 1

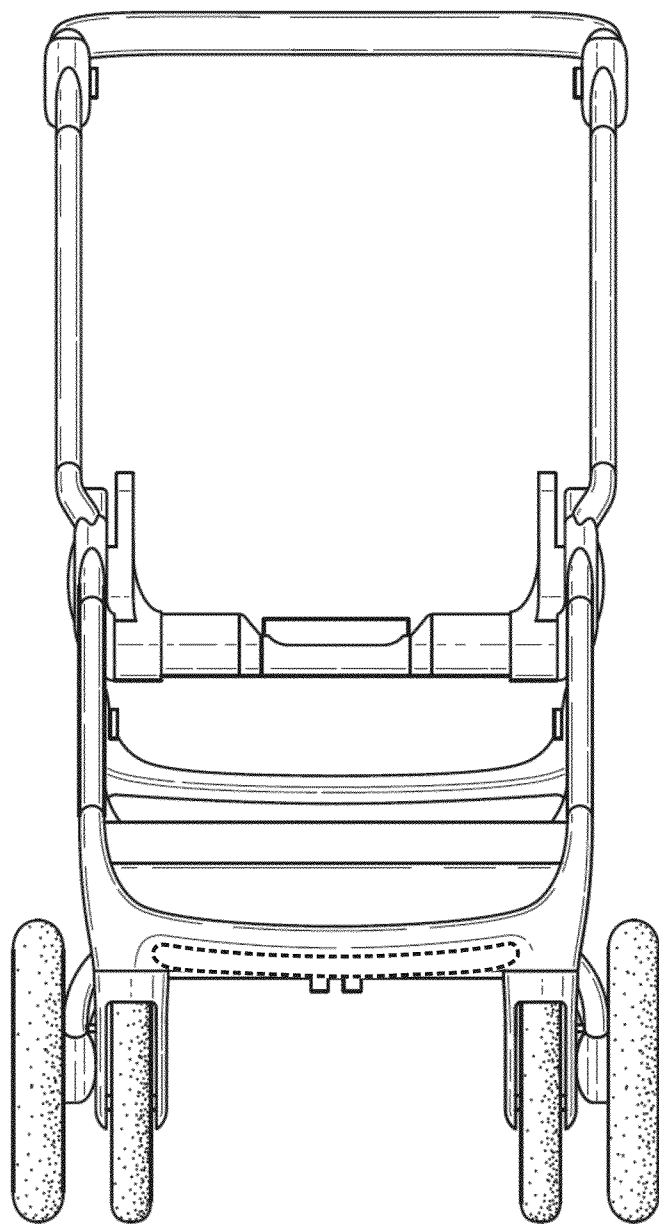


Fig. 2

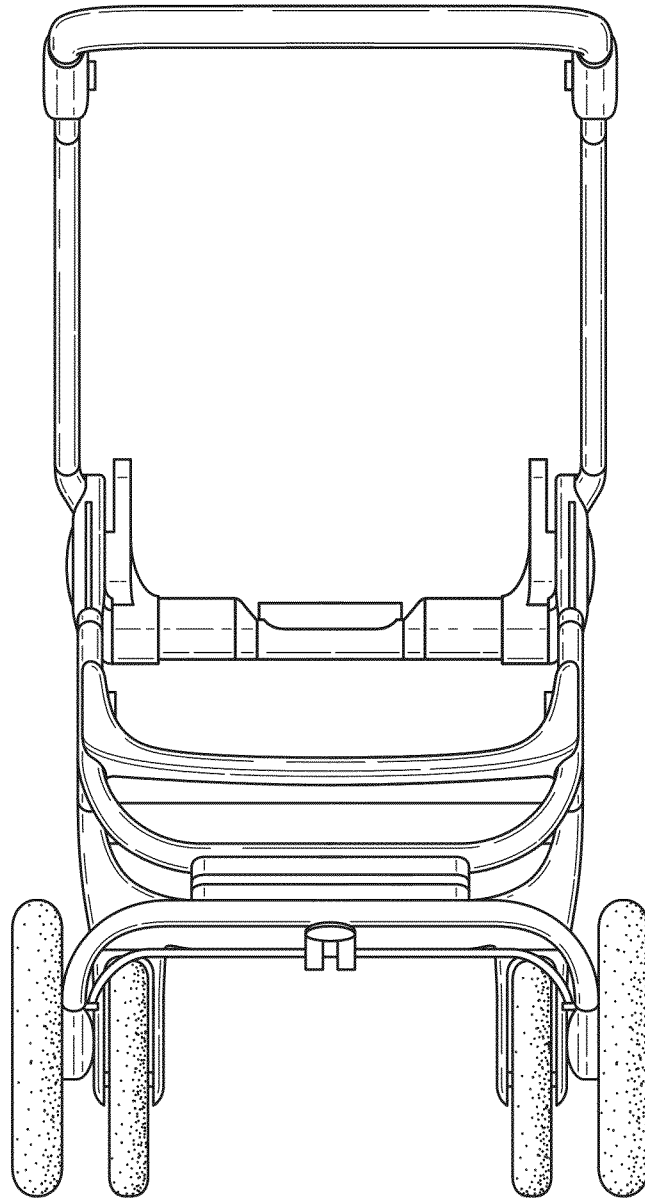


Fig. 3

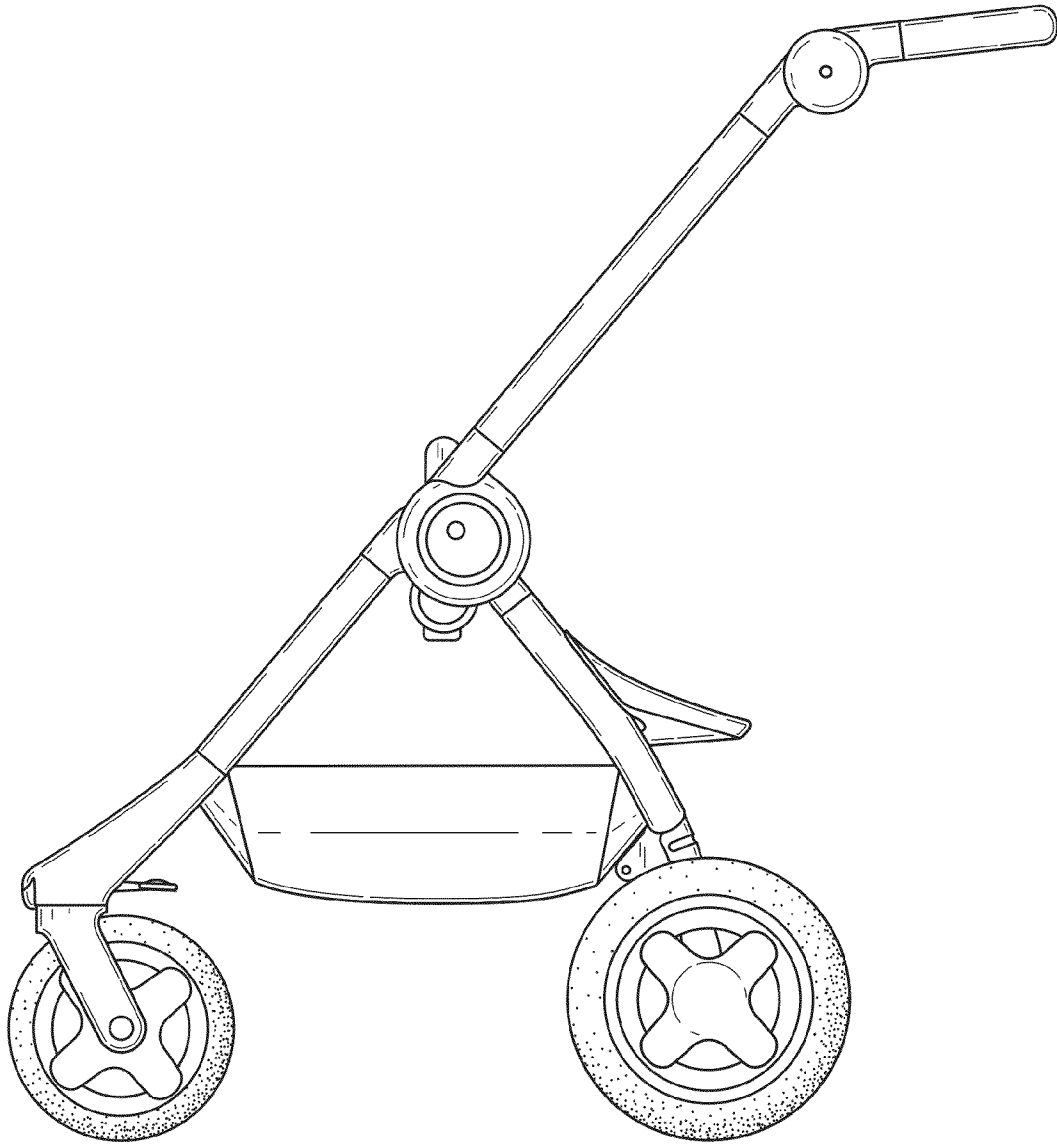


Fig. 4

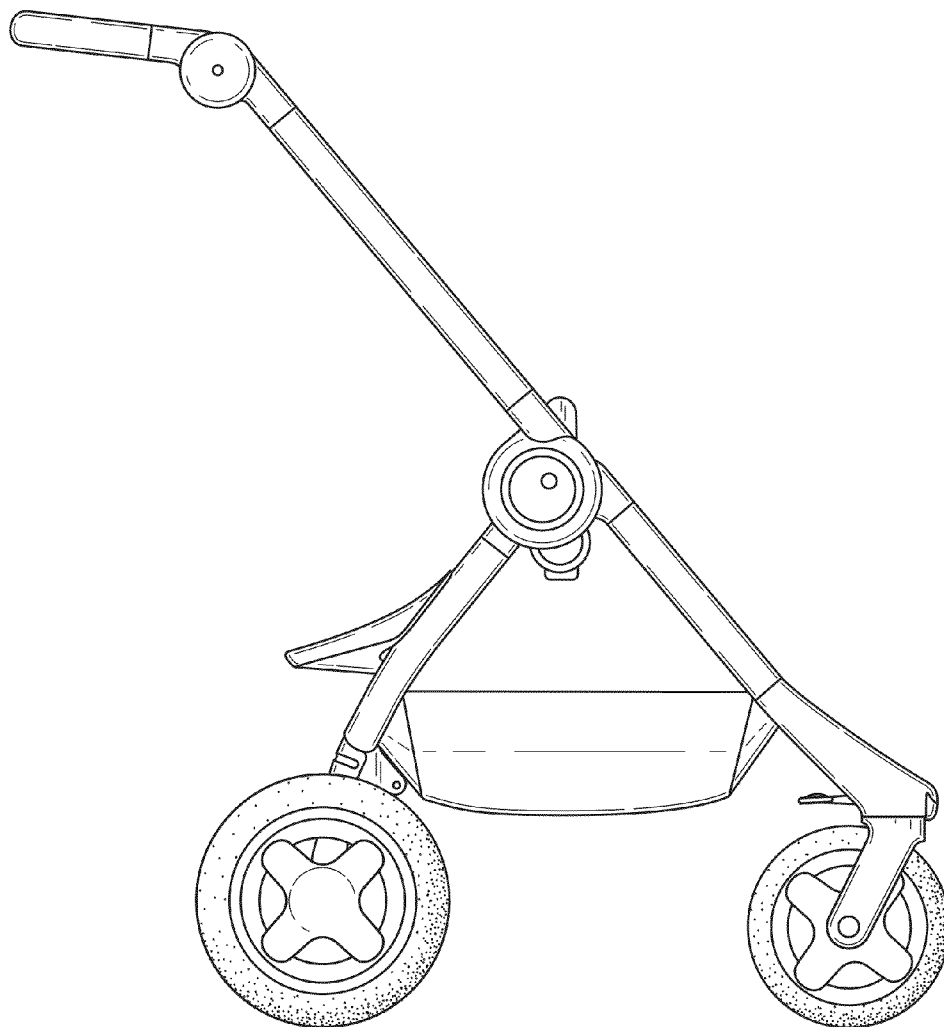


Fig. 5

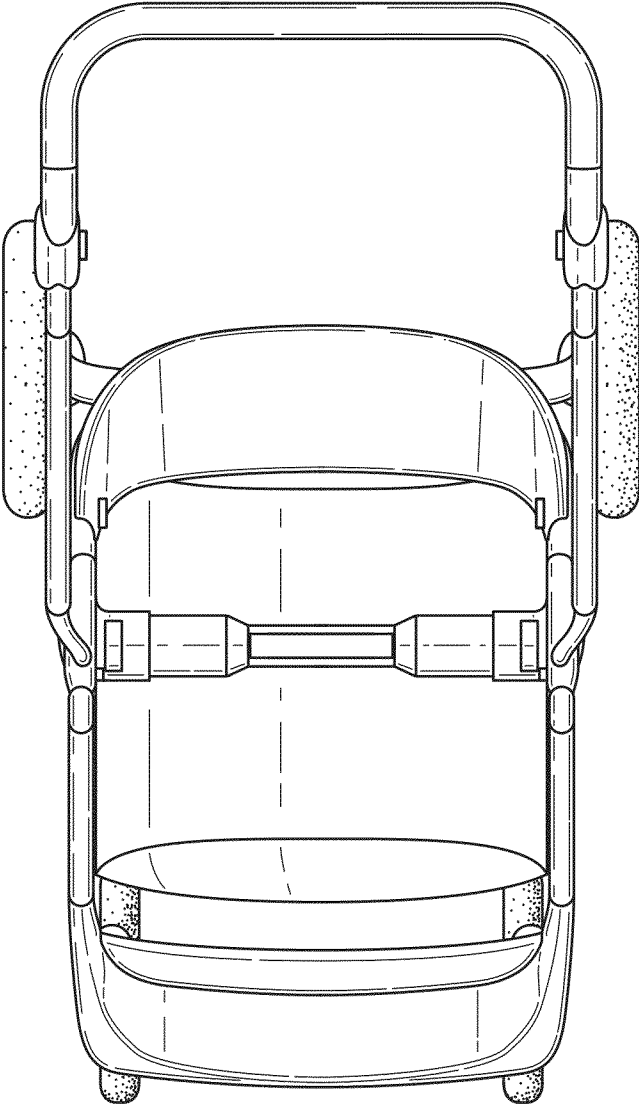


Fig. 6

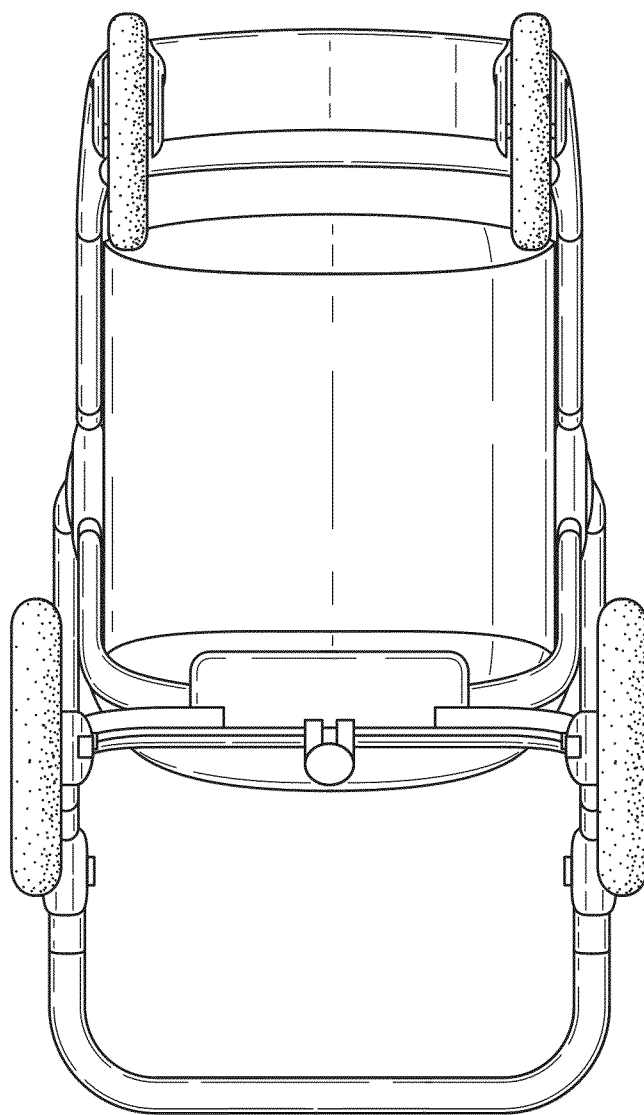


Fig. 7