



US00D912247S

(12) **United States Design Patent**  
**Rees et al.**

(10) **Patent No.:** **US D912,247 S**  
(45) **Date of Patent:** **\*\* Mar. 2, 2021**

(54) <b>CONNECTION CAP DEVICE</b>	8,322,334 B2 *	12/2012	Lee	.....	A61M 16/12	128/200.21
(71) Applicant: <b>DWK Life Sciences GmbH,</b> Wertheim/Main (DE)	D678,502 S *	3/2013	Schmidt	.....	D24/108	
	D678,521 S *	3/2013	Mort	.....	D24/110.6	
	8,418,690 B2 *	4/2013	Power	.....	A61M 11/005	128/203.15
(72) Inventors: <b>Alistair Rees,</b> Mainz (DE); <b>Matthias</b> <b>Schneider,</b> Heidesheim (DE)	D756,512 S *	5/2016	Oberlaender	.....	D24/133	
	D809,122 S *	1/2018	Topaz	.....	D24/108	
(73) Assignee: <b>DWK Life Sciences GmbH,</b> Wertheim/Main (DE)	D818,116 S *	5/2018	Teufel	.....	D24/112	
	D820,996 S *	6/2018	Knaus	.....	C12M 23/08	D24/224
(**) Term: <b>15 Years</b>	D828,550 S *	9/2018	Falleboe	.....	D24/129	
(21) Appl. No.: <b>29/669,918</b>	D840,534 S *	2/2019	Mozzicato	.....	D24/121	
(22) Filed: <b>Nov. 13, 2018</b>	2013/0204082 A1 *	8/2013	Fischer, Jr.	.....	A61M 16/0463	600/104

\* cited by examiner

*Primary Examiner* — Nathan M Johnston  
(74) *Attorney, Agent, or Firm* — Hodgson Russ LLP

(30) **Foreign Application Priority Data**

May 17, 2018 (EM) ..... 005270881-0002  
May 17, 2018 (EM) ..... 005270881-0006

(51) **LOC (13) Cl.** ..... **24-02**

(52) **U.S. Cl.**  
USPC ..... **D24/129**

(58) **Field of Classification Search**

USPC ..... D24/127–131, 112–114, 133, 186;  
606/181, 185; 604/264, 523–528, 272,  
604/187, 158, 164.01–164.11, 181, 184,  
604/227; 600/101, 139, 143;  
128/200.24, 207.14, 207.15  
CPC ..... A61M 25/00; A61M 39/00; A61M 27/00;  
A61M 25/0043; A61M 25/0067; A61M  
25/0097; A61F 2/958

See application file for complete search history.

(56) **References Cited**

**U.S. PATENT DOCUMENTS**

D445,182 S \* 7/2001 Haynes ..... D24/129  
D589,142 S \* 3/2009 Guerrero ..... D24/108

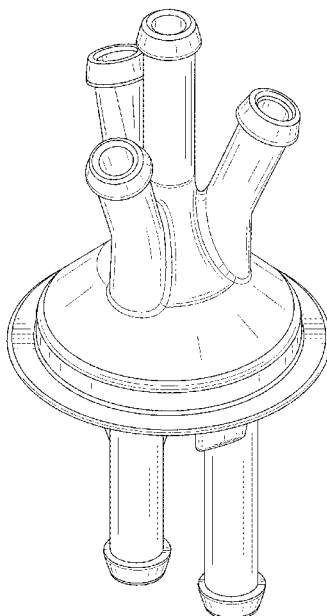
(57) **CLAIM**

The ornamental design for a connection cap device, as shown and described.

**DESCRIPTION**

FIG. 1 is a perspective view of a connection cap device embodying our design;  
FIG. 2 is a front elevation view thereof;  
FIG. 3 is a rear elevation view thereof;  
FIG. 4 is a left side elevation view thereof;  
FIG. 5 is a right side elevation view thereof;  
FIG. 6 is a top plan view thereof; and,  
FIG. 7 is a bottom plan view thereof.  
The broken lines illustrate unclaimed portions of the connection cap device that form no part of the claimed design.

**1 Claim, 7 Drawing Sheets**



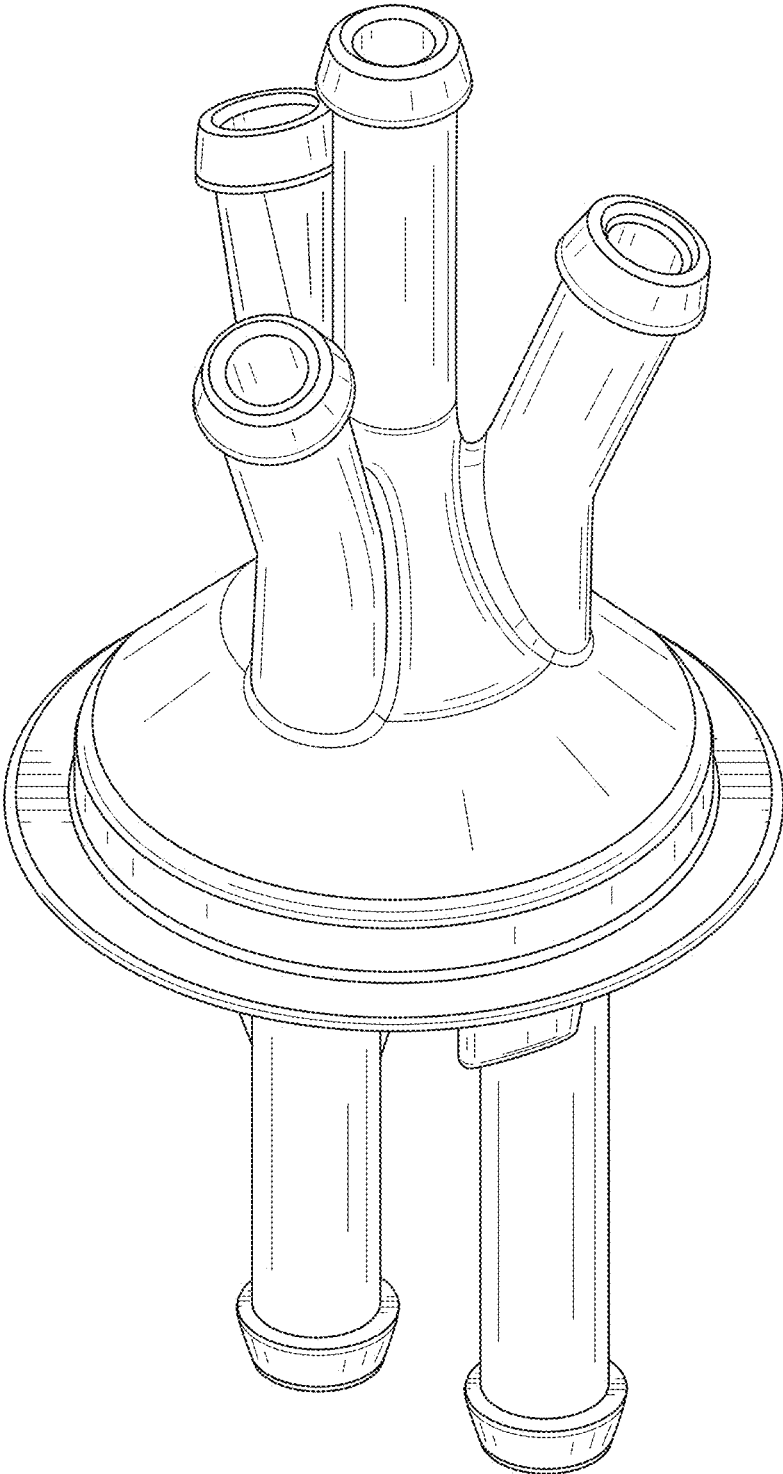


FIG. 1

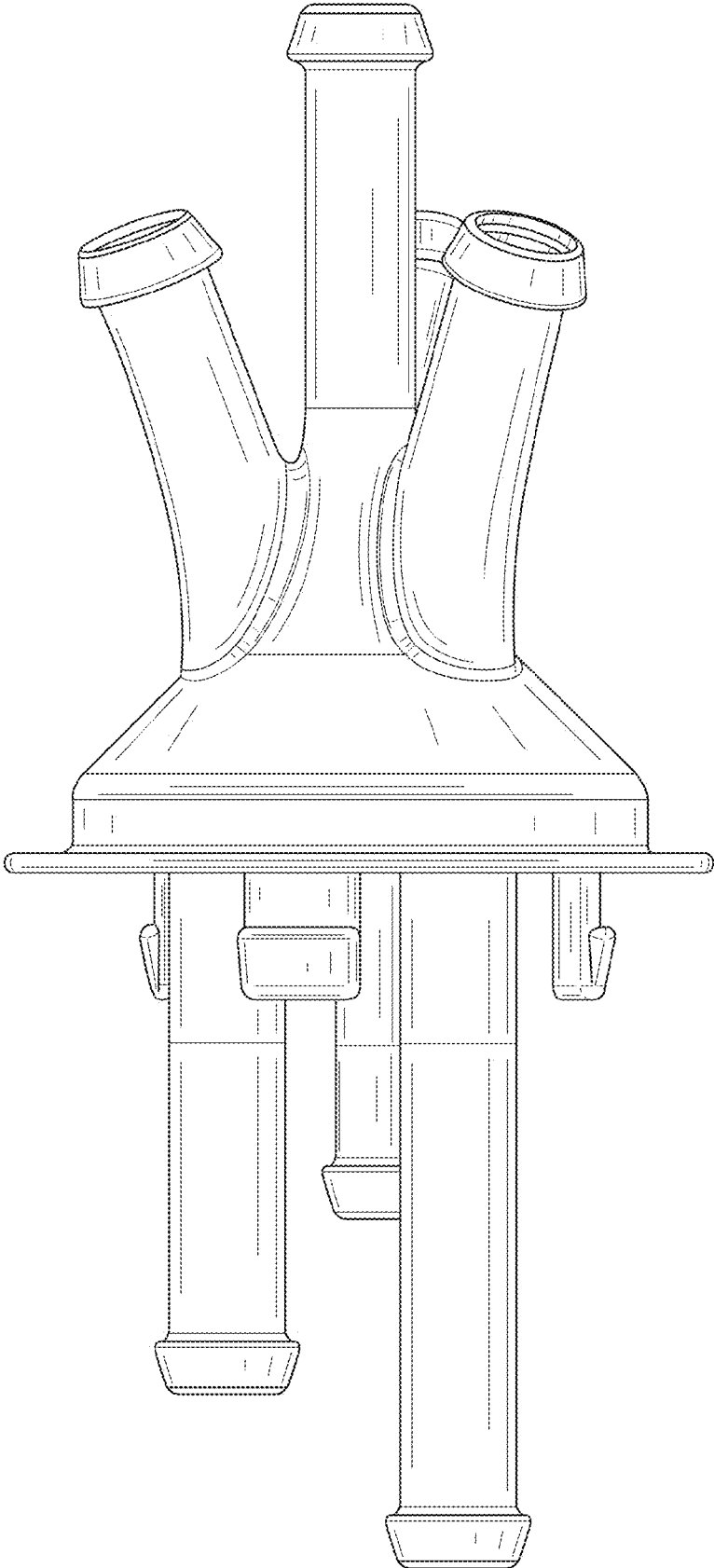


FIG. 2

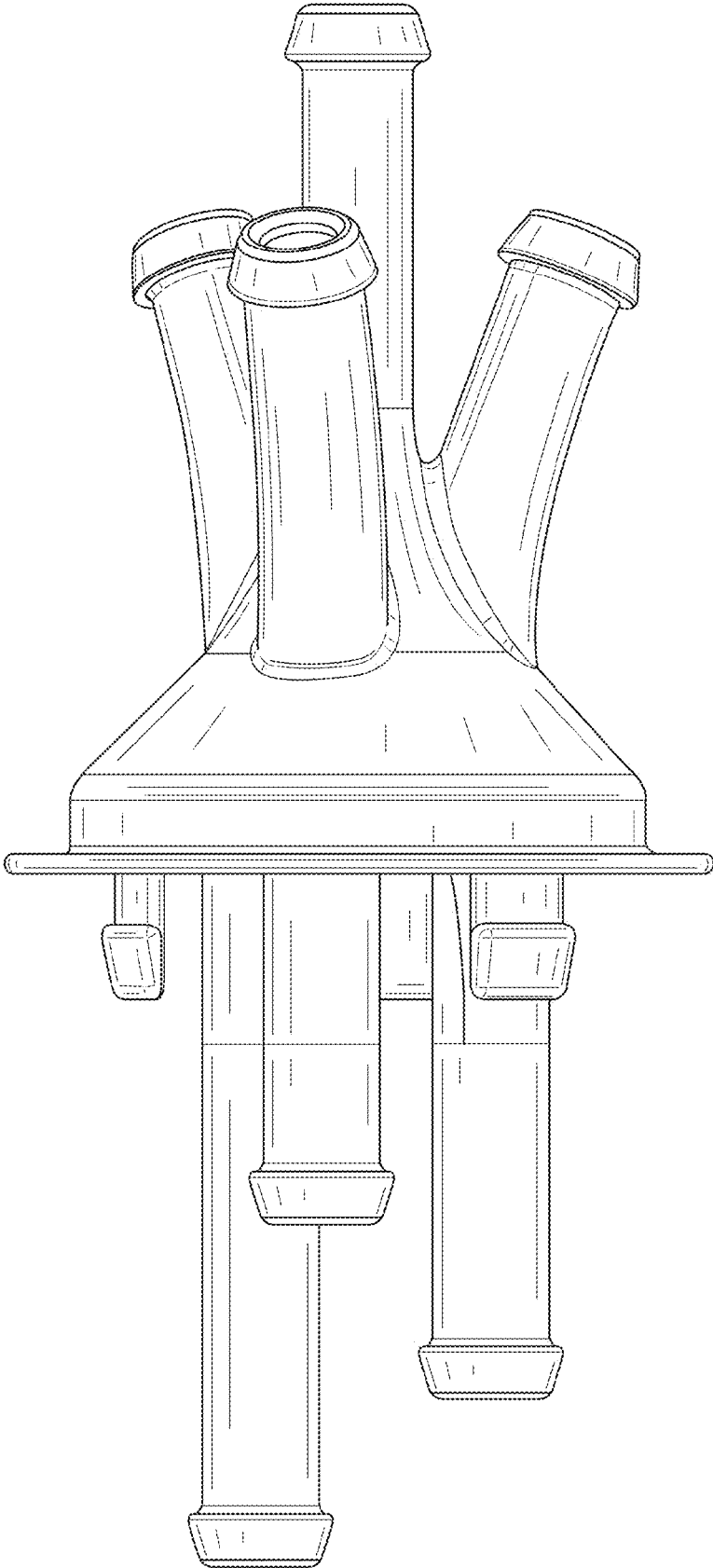


FIG. 3

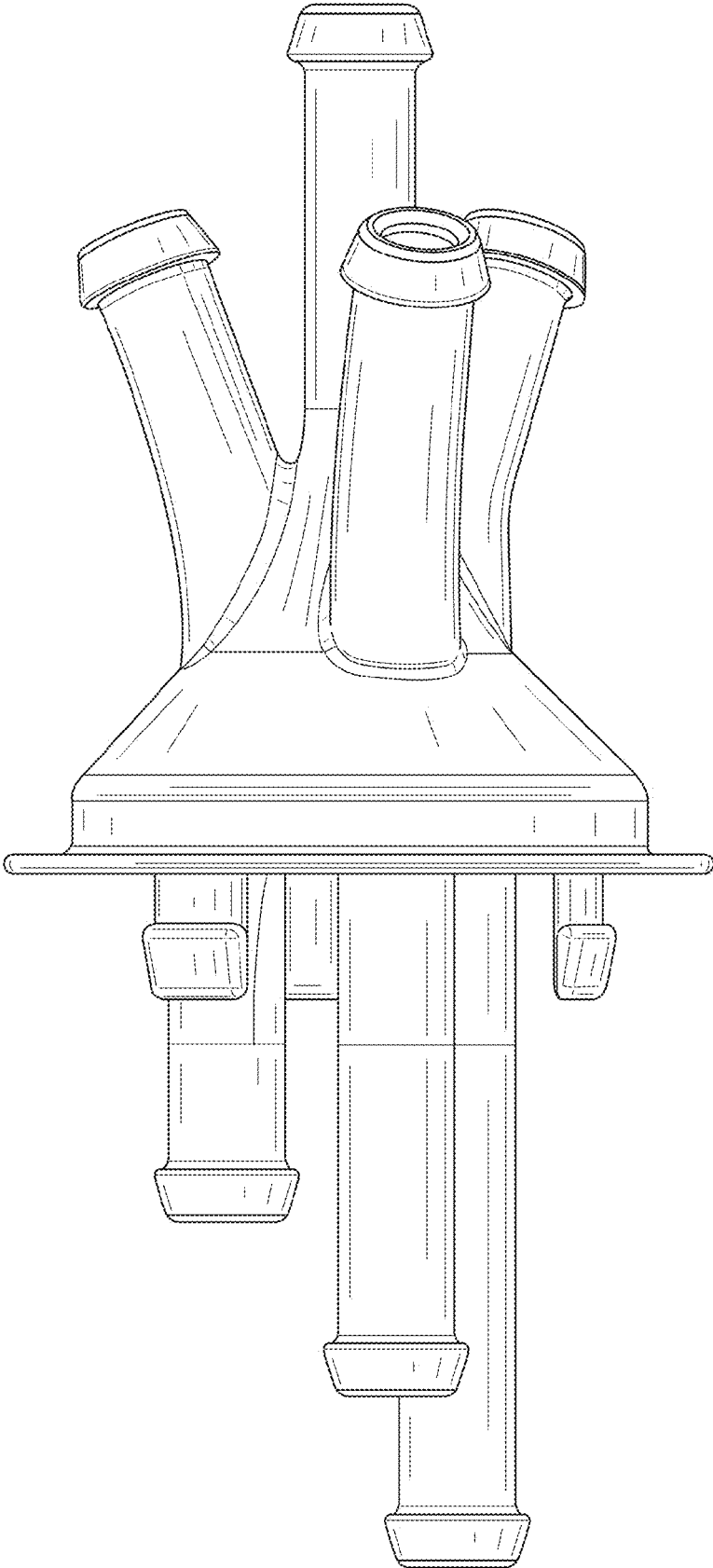


FIG. 4

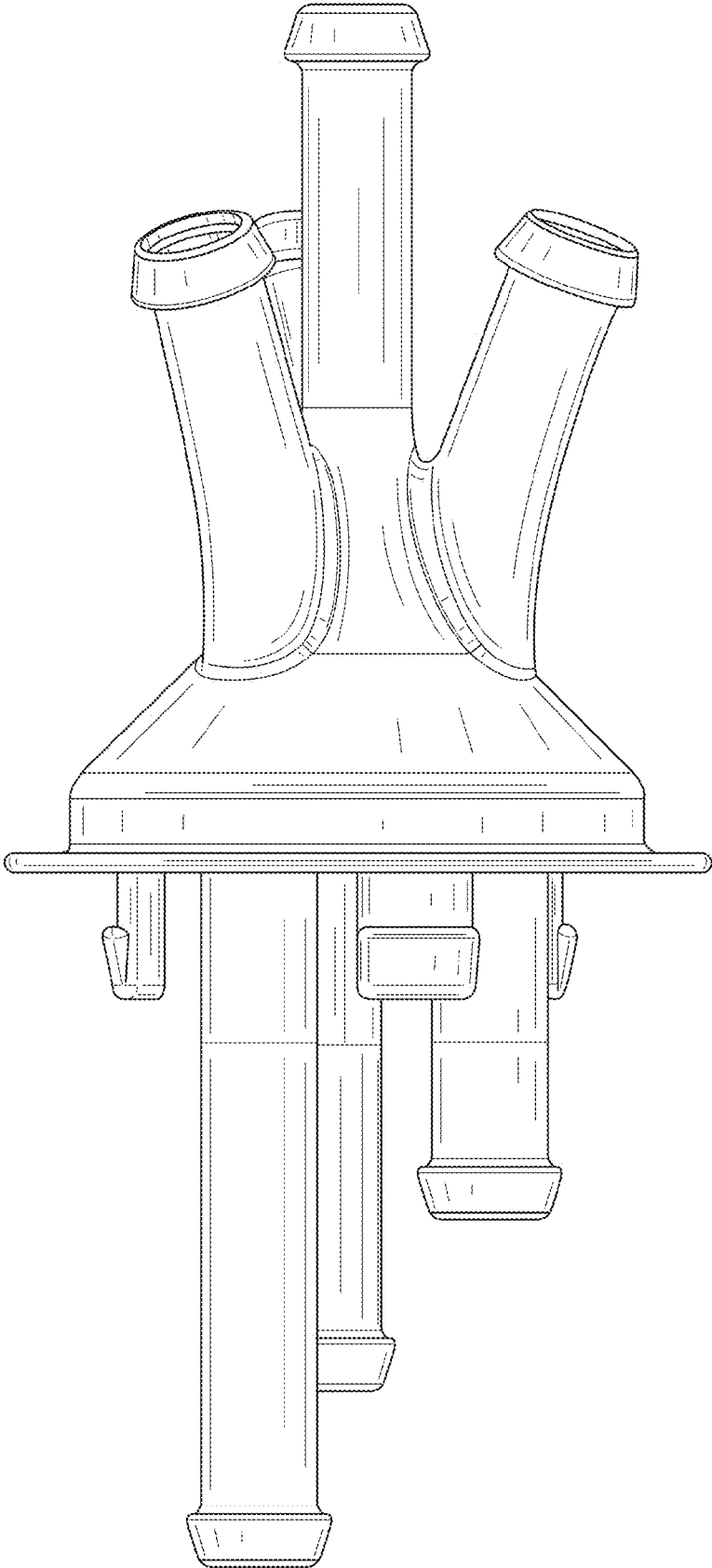


FIG. 5

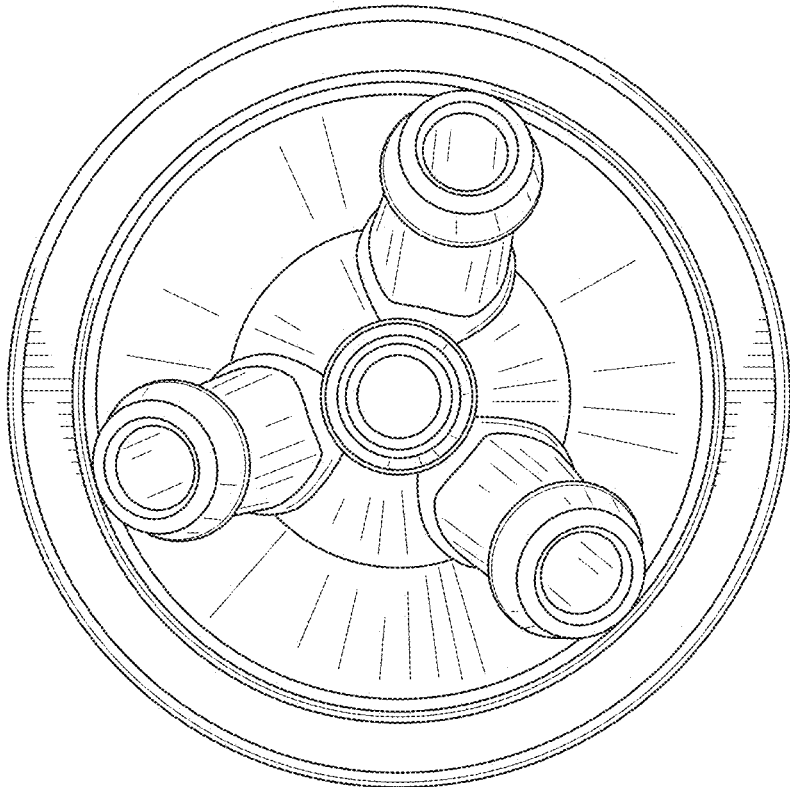


FIG. 6

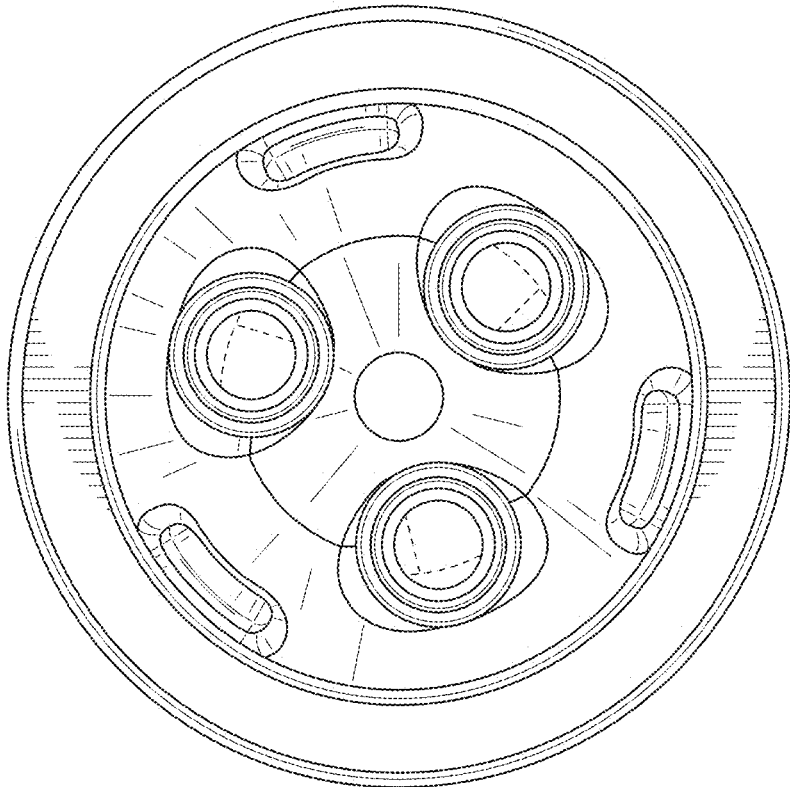


FIG. 7