



US00D925754S

(12) **United States Design Patent**
Sedic

(10) **Patent No.:** **US D925,754 S**

(45) **Date of Patent:** **** Jul. 20, 2021**

- (54) **SKIN CLEANSER**
- (71) Applicant: **Filip Sedic**, Stockholm (SE)
- (72) Inventor: **Filip Sedic**, Stockholm (SE)
- (73) Assignee: **FOREO Inc.**, Las Vegas, NV (US)
- (**) Term: **15 Years**
- (21) Appl. No.: **29/679,185**
- (22) Filed: **Feb. 2, 2019**

5,511,270	A	4/1996	Eliachar et al.
D382,645	S	8/1997	Bergeron
5,792,080	A	8/1998	Ookawa et al.
D423,109	S	4/2000	Allende
6,202,242	B1	3/2001	Salmon et al.
6,226,811	B1	5/2001	Fagan
6,267,736	B1	7/2001	McCambridge et al.
6,283,930	B1	9/2001	Purvis et al.
6,393,718	B1	5/2002	Harris et al.
6,432,072	B1	8/2002	Harris et al.
D466,217	S	11/2002	Harris et al.
D466,695	S	12/2002	Chen
D469,183	S	1/2003	Gerth et al.
D476,087	S	6/2003	Dirks et al.
6,588,964	B1	7/2003	Au et al.
D478,174	S	8/2003	Huang
D487,592	S	3/2004	Chang
D512,225	S	12/2005	Chien
D514,328	S	2/2006	Huang
D517,218	S	3/2006	Kalen
D523,561	S	6/2006	Telford
D539,917	S	4/2007	Park
D548,851	S	8/2007	Huang
D549,351	S	8/2007	Wu
7,303,534	B2	12/2007	Kahn
7,320,691	B2	1/2008	Pilcher et al.
D569,106	S	5/2008	Maruyama
D571,926	S	6/2008	Wu
7,384,377	B2	6/2008	Berman
D574,108	S	7/2008	Yando et al.
D576,736	S	9/2008	Hagege
D595,898	S	7/2009	Syran et al.
D616,103	S	5/2010	Ford-Robertson
D622,405	S	8/2010	Tuli
D626,656	S	11/2010	Jarry
D629,528	S	12/2010	Adkisson
D635,720	S	4/2011	Cammarano
D645,569	S	9/2011	Nitsch
D646,795	S	10/2011	Seehoff et al.
D670,083	S *	11/2012	Treeby D4/130
D671,281	S	11/2012	Singer
D674,108	S	1/2013	York
8,523,791	B2	9/2013	Castel
D698,455	S	1/2014	Sedic
8,679,039	B2	3/2014	Tieu et al.
8,745,807	B2	6/2014	Varner et al.
D712,058	S	8/2014	Huang
D715,010	S	10/2014	Beaver
D715,935	S	10/2014	Huntington et al.
D716,961	S	11/2014	Sedic
D734,481	S	7/2015	Sedic
D764,172	S *	8/2016	Pan D4/100
D773,064	S *	11/2016	Sedic D24/214

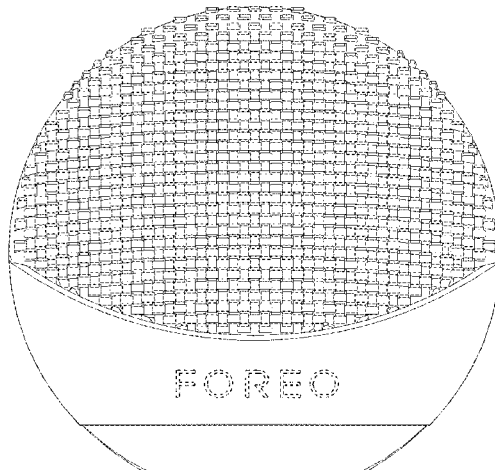
Related U.S. Application Data

- (62) Division of application No. 29/581,294, filed on Oct. 18, 2016, now Pat. No. Des. 857,221.
- (51) **LOC (13) Cl.** **28-03**
- (52) **U.S. Cl.**
USPC **D24/215**
- (58) **Field of Classification Search**
USPC D24/211, 212, 213, 214, 215; D4/100,
D4/102, 127, 130, 132-136, 138; D28/7;
D32/40
CPC A61H 23/0254; A61H 7/002; A47K 7/02;
A46B 2200/102
See application file for complete search history.

References Cited

U.S. PATENT DOCUMENTS

1,491,016	A	4/1924	McGowan et al.
2,764,773	A	10/1956	Glanvill et al.
3,906,940	A	9/1975	Kawada
3,968,789	A	7/1976	Simoncini
4,027,348	A	6/1977	Flowers et al.
4,112,040	A	6/1978	Orentreich
4,249,521	A	2/1981	Gueret
4,463,485	A	8/1984	Gueret
4,564,032	A	1/1986	Araki
4,570,616	A	2/1986	Kunz et al.
D331,466	S	12/1992	Doria
5,176,130	A	1/1993	Kim
D351,474	S	10/1994	Huang
5,480,023	A	1/1996	Puller
D369,220	S	4/1996	Huang



D782,827	S	*	4/2017	Jenkins	D4/136
D804,189	S	*	12/2017	von Berg	D4/100
D818,272	S	*	5/2018	Tai	D4/100
D819,338	S	*	6/2018	Xiong	D4/102
D822,387	S	*	7/2018	Tai	D4/100
D823,606	S	*	7/2018	Roth	D4/134
D825,124	S	*	8/2018	Celia, Jr.	D32/35
D837,994	S	*	1/2019	Sedic	D24/214
D838,045	S	*	1/2019	Miller	D28/63
D838,112	S	*	1/2019	Yi	D4/120
D845,630	S	*	4/2019	Sedic	D4/100
D845,631	S	*	4/2019	Sedic	D4/100
D850,111	S	*	6/2019	Sedic	D4/100
D852,972	S	*	7/2019	Sedic	D24/214
D857,221	S	*	8/2019	Sedic	D24/215
D857,299	S	*	8/2019	Tammabattula	D28/63
D862,891	S	*	10/2019	Sedic	D4/100
D864,860	S	*	10/2019	Zhan	D13/108
D866,074	S	*	11/2019	Tammabattula	D28/63
D866,075	S	*	11/2019	Tammabattula	D28/63
D872,372	S	*	1/2020	Tammabattula	D28/63
D872,939	S	*	1/2020	Tammabattula	D28/63
D872,940	S	*	1/2020	Tammabattula	D28/63
D880,869	S	*	4/2020	Li	D4/100
D882,104	S	*	4/2020	Sedic	D24/215
D882,268	S	*	4/2020	Sedic	D4/100
D882,810	S	*	4/2020	Sedic	D24/215
D882,961	S	*	5/2020	Luo	D4/116
D885,063	S	*	5/2020	Xiong	D4/116
D891,113	S	*	7/2020	Yoon	D4/100
D893,199	S	*	8/2020	Sedic	D4/137
2002/0107459	A1		8/2002	Chang		
2004/0060571	A1		11/2004	Mayeri		
2004/0225239	A1		11/2004	Yamamoto et al.		
2005/0059914	A1		5/2005	Kleinhenz et al.		
2005/0113725	A1		6/2005	Masuda		
2005/0142093	A1		6/2005	Skover et al.		
2006/0010630	A1		3/2006	Tse		
2006/0058714	A1		8/2006	Rhoades		
2006/0168746	A1		12/2006	Guyuron et al.		
2006/0276731	A1		12/2006	Thiebaut et al.		
2007/0017540	A1		1/2007	Davis et al.		
2007/0142845	A1		6/2007	Akridge et al.		
2007/0179412	A1		8/2007	Imboden et al.		
2007/0198031	A1		8/2007	Kellogg		
2007/0232967	A1		10/2007	Driscoll		
2008/0110471	A1		5/2008	Oliver et al.		
2008/0119913	A1		5/2008	Powell et al.		
2008/0125680	A1		5/2008	Richmond et al.		
2008/0125682	A1		5/2008	Bonneyrat		
2008/0167590	A1		7/2008	Jon et al.		
2008/0210252	A1		9/2008	Taggart et al.		
2009/0036809	A1		2/2009	Nishio et al.		
2009/0198159	A1		8/2009	Linzell		
2009/0318853	A1		12/2009	Reed et al.		
2010/0217357	A1		8/2010	Da Silva et al.		
2010/0262051	A1		10/2010	De LaForcade		
2011/0087141	A1		4/2011	Wagy et al.		
2011/0098613	A1		4/2011	Thomas		
2011/0184499	A1		7/2011	Radi		
2011/0251537	A1		10/2011	Yeo		
2012/0121313	A1		5/2012	Thiebaut		
2012/0165708	A1		6/2012	Parsloe		
2012/0209151	A1		8/2012	Zhou et al.		
2012/0234336	A1		9/2012	Paquet et al.		
2013/0023805	A1		1/2013	Ungemach et al.		
2013/0046212	A1		2/2013	Nichols		
2013/0079689	A1		3/2013	Thierman		
2014/0107543	A1		4/2014	Pazouki		
2014/0194900	A1*		7/2014	Sedic	A61B 5/443 606/131
2016/0135582	A1*		5/2016	Yen	A47K 7/04 15/22.1
2019/0117497	A1*		4/2019	Sedic	A61B 5/0531
2019/0142691	A1*		5/2019	Sedic	A45D 44/002 601/18
2020/0154874	A1*		5/2020	Tammabattula	...	A46B 15/0006
2020/0237613	A1*		7/2020	Sedic	A61H 23/006

FOREIGN PATENT DOCUMENTS

CN	302512535	7/2013
CN	302512536	7/2013
EP	1484043	12/2004
EP	1525872	4/2005
EP	1942857	7/2008
EP	2164443	3/2010
EP	2490645	8/2012
JP	2000-00028	1/2000
JP	2004-249061	9/2004
KR	101078567	11/2011
KR	30-0798457	5/2015

OTHER PUBLICATIONS

Amazon, "FOREO Luna Mini 3", Feb. 24, 2020. https://www.amazon.com/dp/B082952ZQS/ref=emc_b_5_i. Shown on p. 1. (Year: 2020).*

Amazon, "FOREO LUNA_Personalized Facial Cleansing Brush", Jan. 19, 2017. https://www.amazon.com/FOREO-Portable-Personalized-Cleansing-Sensitive/dp/B0114CZY4W/ref=cm_cr_ar_p_d_product_top?ie=UTF8. Shown on p. 1. (Year: 2017).*

"Silicone Face Massage Brush," Alibaba.com, 1999-2014, Alibaba.com, 6 pages [Online] [Retrieved on Sep. 15, 2014] Retrieved from the Internet: <URL: <http://www.alibaba.com/countrysearch/CN/silicone-face-massage-brush.html>>.

[CES 2013] FOREO's Luna Mini to Bring Tech to Skincare, Jan. 11, 2013 [online], [retrieved on Aug. 26, 2014]. Retrieved from the Internet: <URL: <http://www.techfever.net/2013/01/ces-2013-foreos-luna-mini-promises-to-bring-tech-to-skincare/>>.

"Clarisonic" Web Page, Clarisonic, Pacific Bioscience Laboratories, Inc., 2013, 2 pages, [Online] [Retrieved on Sep. 15, 2014] Retrieved from the Internet: <URL: <http://www.clarisonic.com/>>.

"Neutrogena® Wave®," Neutrogena Corporation, 2014, 1 page, [Online] [Retrieved on Sep. 15, 2014] Retrieved from the Internet <URL: <http://www.neutrogenawave.com/#/products>>.

"Silicon Face Brushes," Alibaba.com, 199-2014, Alibaba.com, 8 pages [Online] [Retrieved on Sep. 15, 2014] Retrieved from the Internet: <URL: <http://www.alibaba.com/manufacturers/face-silicone-brush-manufacturer.html>>.

"Vibrating cosmetics," 12 pages, PoshGlam®, Sep. 8, 2014, [Online] [Retrieved on Sep. 15, 2014] Retrieved from the Internet: <URL: <http://www.poshglam.com/beauty/>>.

"Waterproof Electric Face Massager," Alibaba.com, 1999-2014, 3 pages, [Online] Retrieved on Sep. 15, 2014] Retrieved from the Internet: <URL: http://www.alibaba.com/product-gs/537532136/Water_proof_Electric_Face_Massager.html>.

Australian Government, IP Australia, Patent Examination Report No. 1, Australian Patent Application No. 2014204242, dated Jan. 28, 2016, three pages.

European Extended Search Report, European Application No. 14735118. 3, dated Jun. 7, 2016, ten pages.

FOREO: Building the Best Brand of Skin Care, Dec. 13, 2013 [online retrieved on Aug. 26, 2014]. Retrieved from the Internet: <http://luxury.ce.cn/hydt/cygc/201312/13/t20131213_1271555.shtml>.

Global First Silicone Cleaning Instrument FOREO Leading a New Revolution 1-19 in Facial Care, Jun. 28, 2013 [online], [retrieved on Aug. 26, 2014]. Retrieved from the Internet: <http://fashion.ifeng.com/news/detail-2013-06/28/26922193_0>.

Japan Patent Office, Office Action, Japanese patent Application No. 2016-006716, dated Jul. 29, 2016, five pages.

Japan Patent Office, Office Action, Japanese patent Application No. 2016-006717, dated Jul. 29, 2016, five pages.

PCT International Search Report and Written Opinion, PCT Application No. PCT/IB2014/000530, dated Oct. 22, 2014, eight pages.

Science Share: Share the Tutorials of Electric Washing Device FOREO, Nov. 20, 2013 [online] [retrieved on Aug. 26, 2014]. Retrieved from the Internet: <<http://bbs.pclady.com.cn/topic-1782404.html>> (with concise explanation of relevance).

Silicone Suction Cup Face Exfoliate Beauty Brushes, SourcingMap Ltd., 2006-2014, two pages, [online] [Retrieved on Sep. 15, 2014]

Retrieved from the Internet: <URL: <http://www.sourcingmap.com/ladies-silicone-suction-cup-face-exfoliate-beauty-brushes-pink-p-242745.html>>.

United States Office Action, U.S. Appl. No. 14/149,793, dated Apr. 21, 2016, twenty-five pages.

United States Office Action, U.S. Appl. No. 14/572,519, dated Mar. 27, 2015, ten pages.

United States Office Action, U.S. Appl. No. 14/149,793, dated Sep. 24, 2015, twenty-seven pages.

United States Office Action, U.S. Appl. No. 14/572,519, dated Jul. 18, 2016, twelve pages.

* cited by examiner

Primary Examiner — Cynthia Ramirez

Assistant Examiner — Michael A Maharajh

(74) *Attorney, Agent, or Firm* — Evan Feldstein

(57)

CLAIM

I claim the ornamental design for a skin cleanser, as shown and described.

DESCRIPTION

FIG. 1 is a front view of a first embodiment of a skin cleanser.

FIG. 2 is a right side view of the first embodiment of the skin cleanser.

FIG. 3 is a rear view of the first embodiment of the skin cleanser.

FIG. 4 is a left side view of the first embodiment of the skin cleanser.

FIG. 5 is a top view of the first embodiment of the skin cleanser.

FIG. 6 is a bottom view of the first embodiment of the skin cleanser.

FIG. 7 is a perspective view of the first embodiment of the skin cleanser.

FIG. 8 is another perspective view of the first embodiment of the skin cleanser.

FIG. 9 is a front view of a second embodiment of a skin cleanser.

FIG. 10 is a left side view of the second embodiment of the skin cleanser.

FIG. 11 is a rear view of the second embodiment of the skin cleanser.

FIG. 12 is a right side view of the second embodiment of the skin cleanser.

FIG. 13 is a top view of the second embodiment of the skin cleanser.

FIG. 14 is a bottom view of the second embodiment of the skin cleanser.

FIG. 15 is a perspective view of the second embodiment of the skin cleanser.

FIG. 16 is another perspective view of the second embodiment of the skin cleanser.

FIG. 17 is a front view of a third embodiment of a skin cleanser.

FIG. 18 is a right side view of the third embodiment of the skin cleanser.

FIG. 19 is a rear view of the third embodiment of the skin cleanser.

FIG. 20 is a left side view of the third embodiment of the skin cleanser.

FIG. 21 is a top view of the third embodiment of the skin cleanser.

FIG. 22 is a bottom view of the third embodiment of the skin cleanser.

FIG. 23 is a perspective view of the third embodiment of the skin cleanser; and,

FIG. 24 is another perspective view of the third embodiment of the skin cleanser.

The letters FOREO shown in broken lines are for the purpose of illustrating environmental structure, which form no part of the claimed design. The remaining broken lines shown in the figures are for the purpose of illustrating portions of the skin cleanser, which form no part of the claimed design.

1 Claim, 24 Drawing Sheets

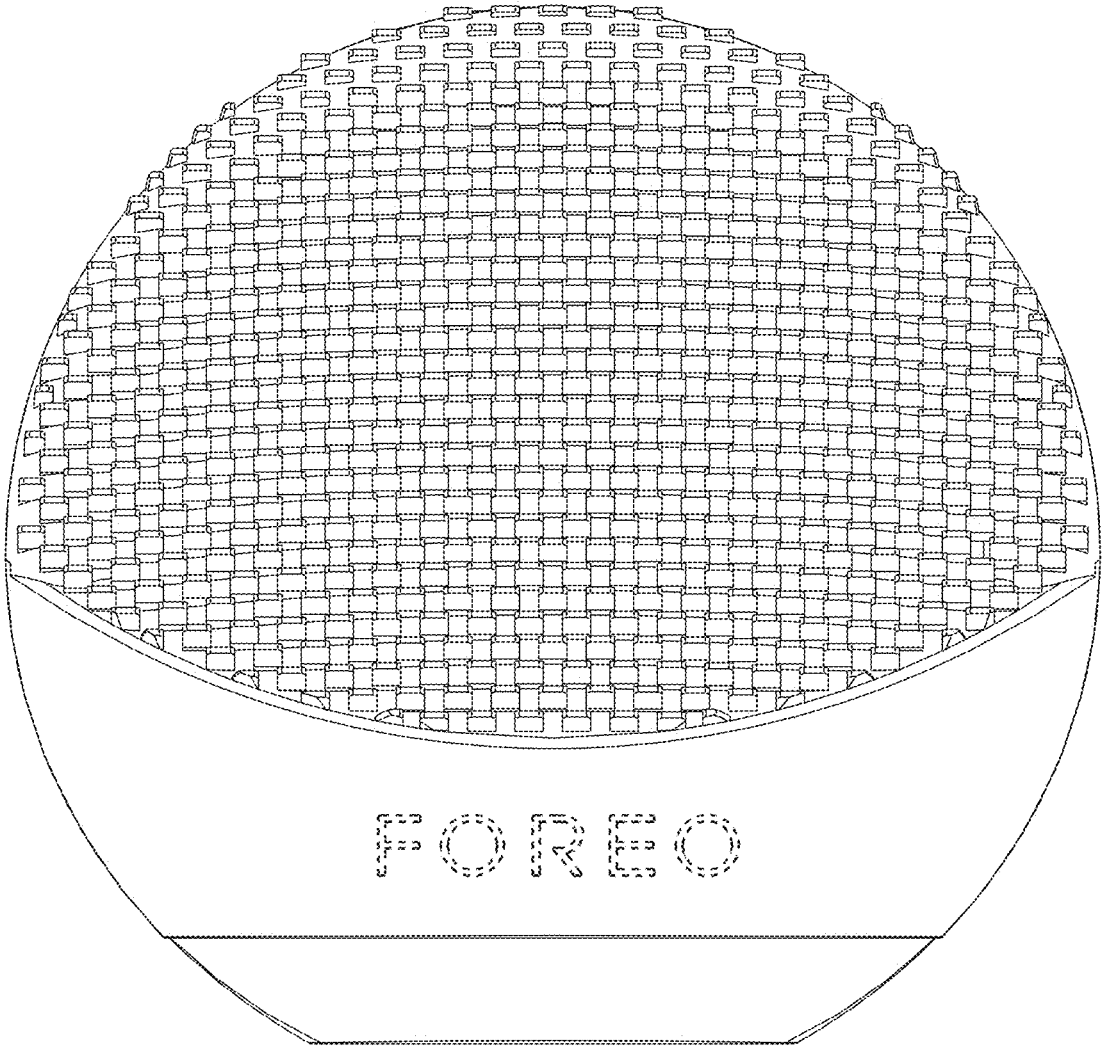


FIG. 1

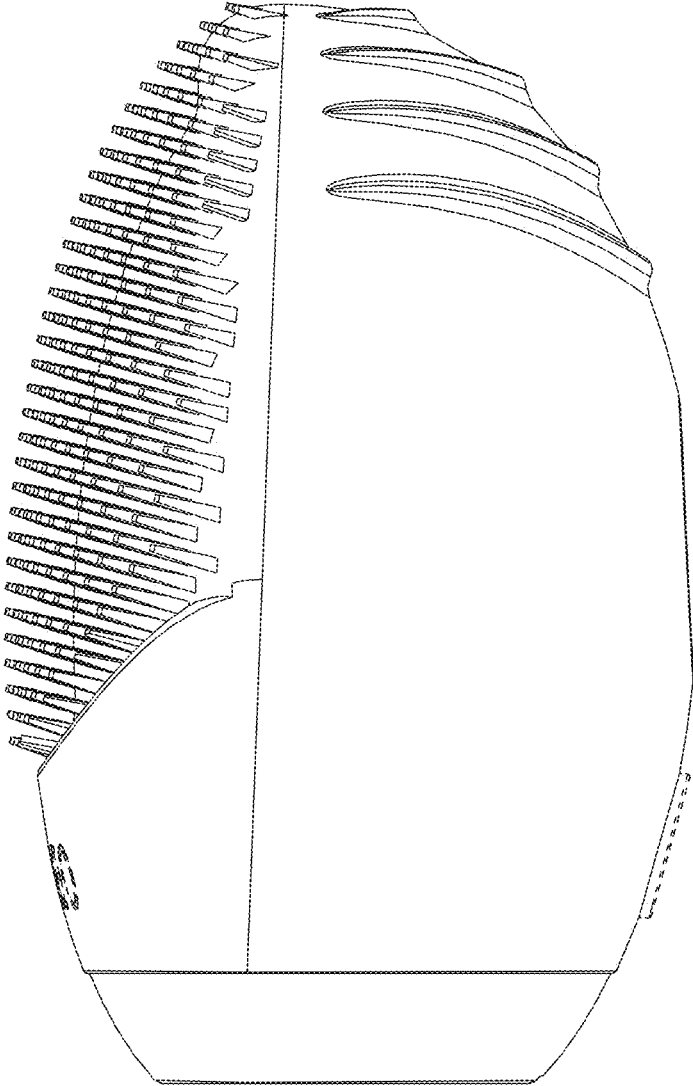


FIG. 2

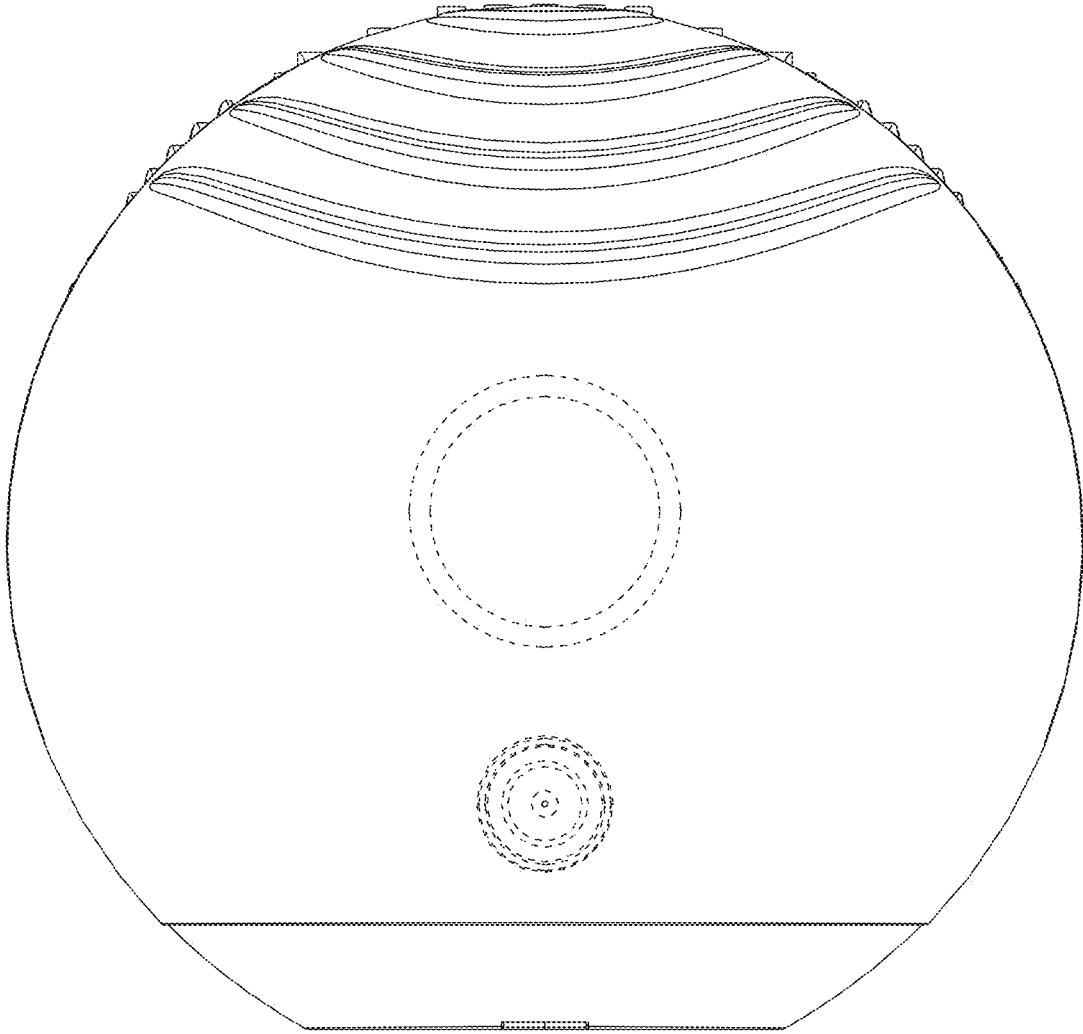


FIG. 3

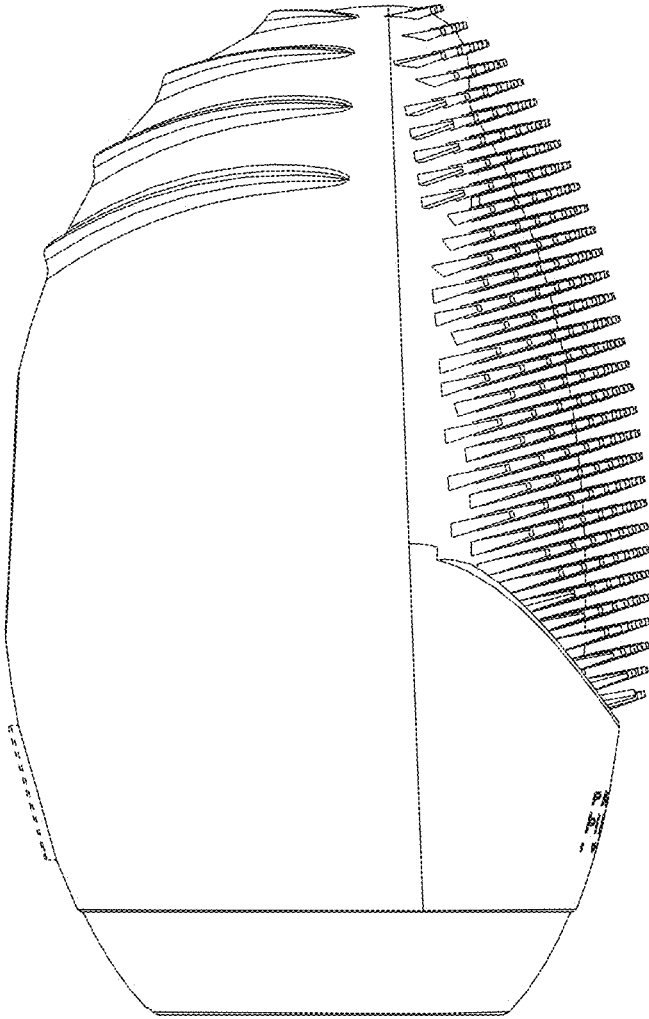


FIG. 4

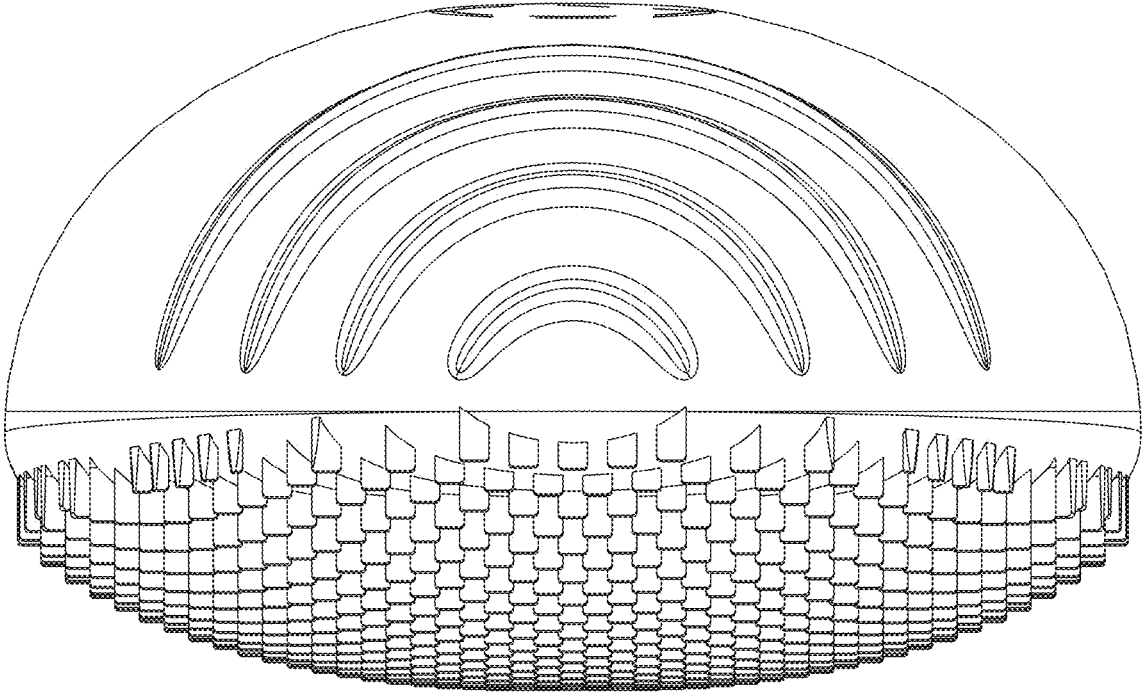


FIG. 5

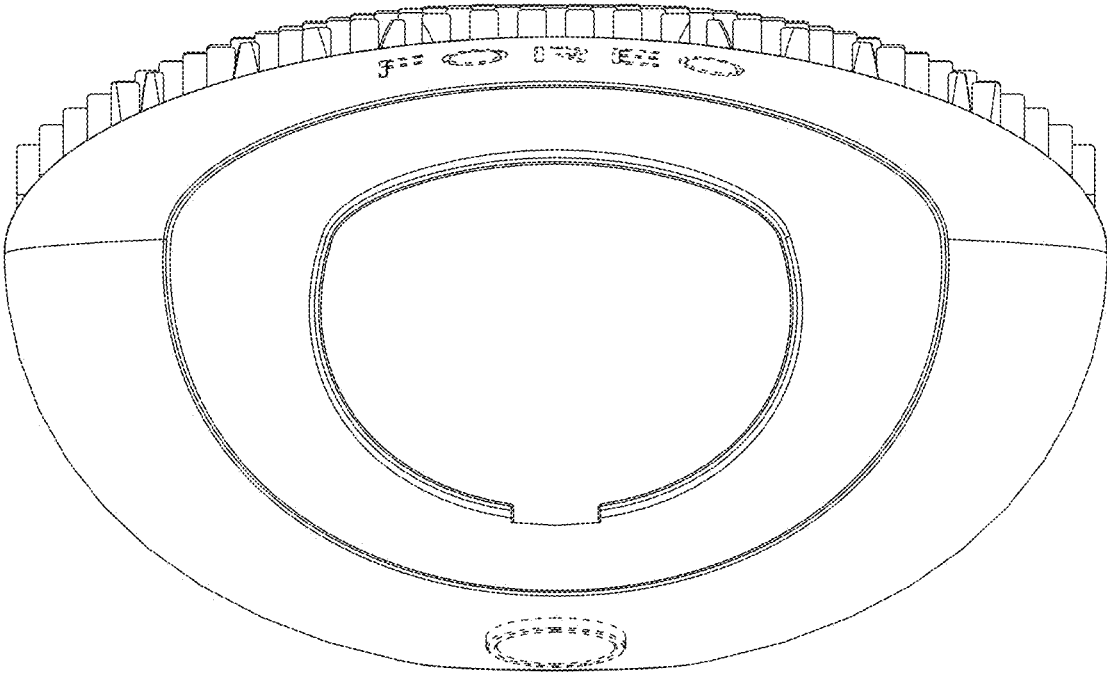


FIG. 6

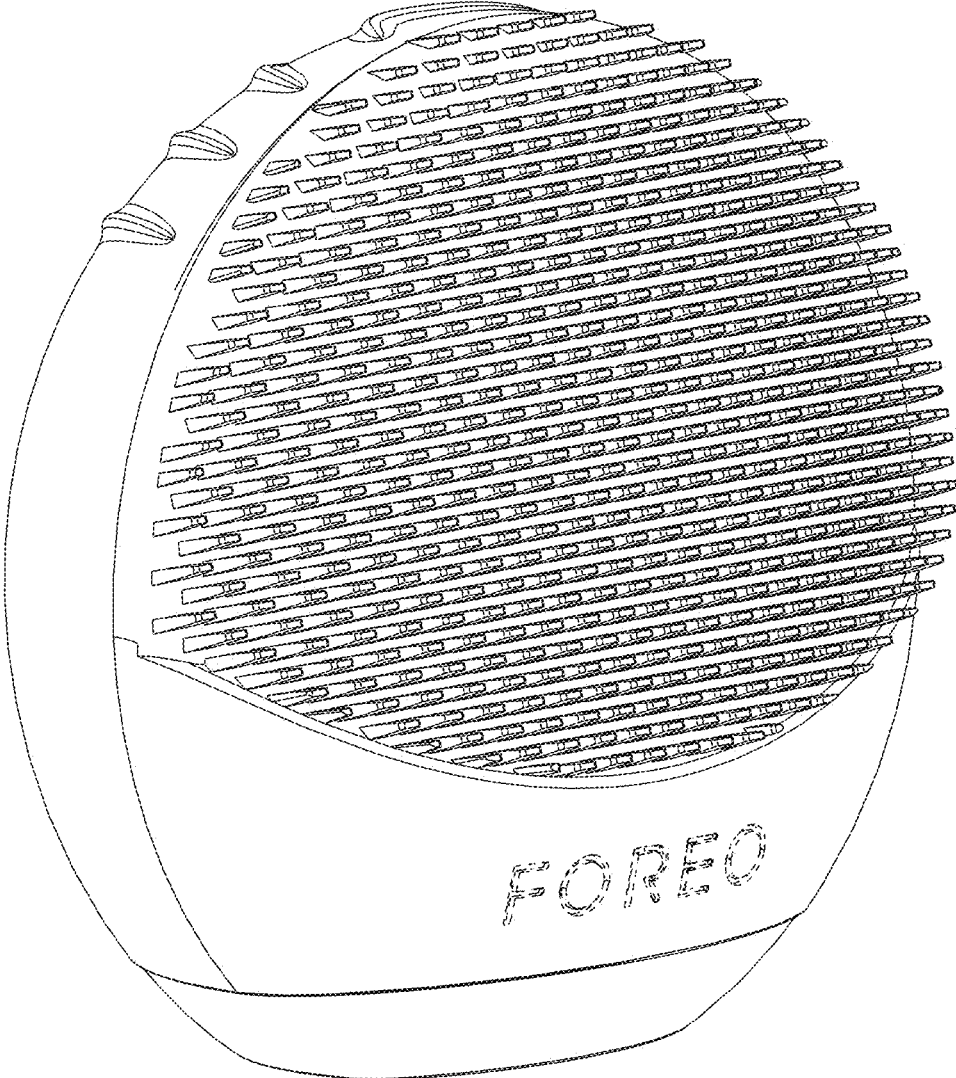


FIG. 7

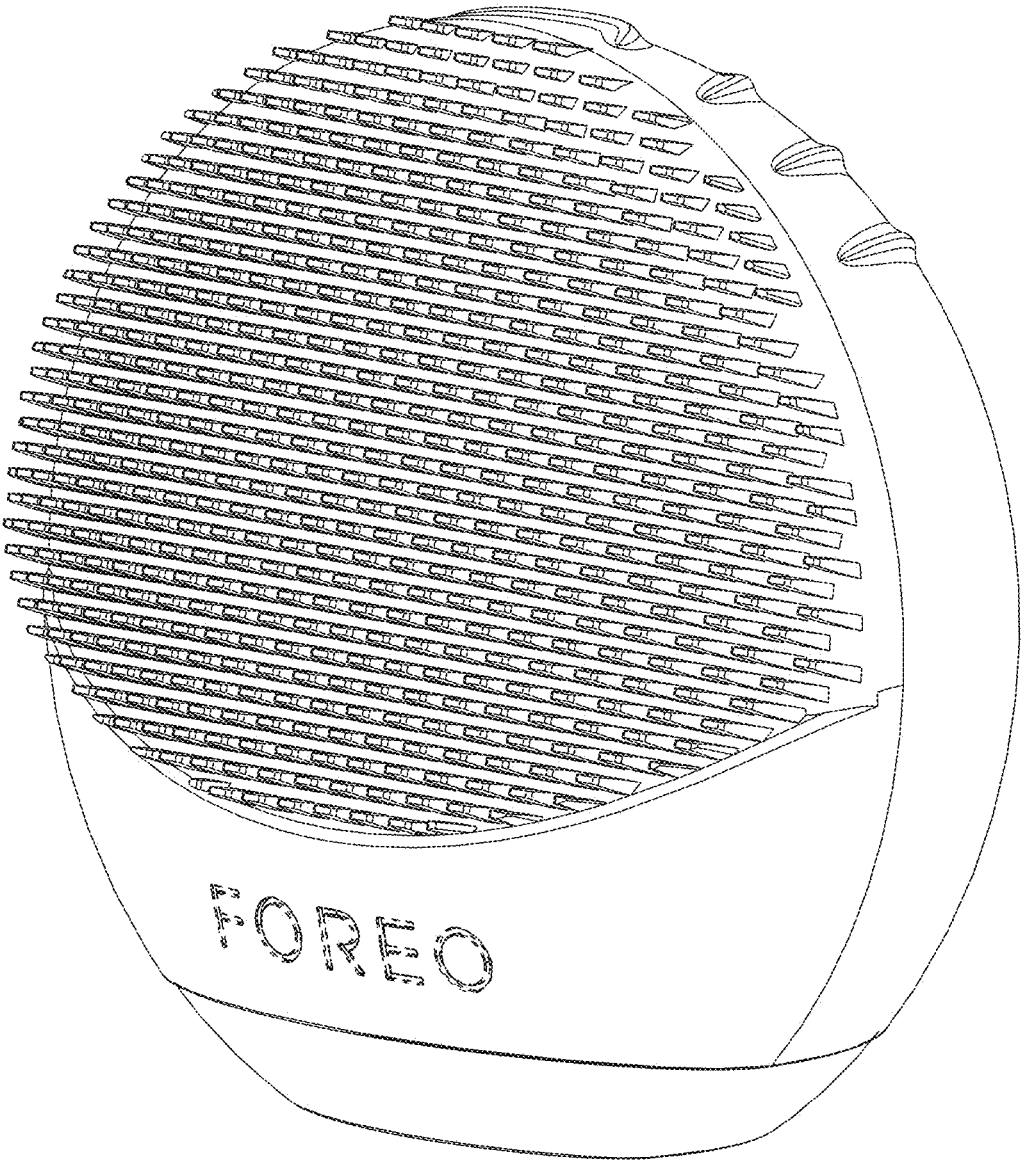


FIG. 8

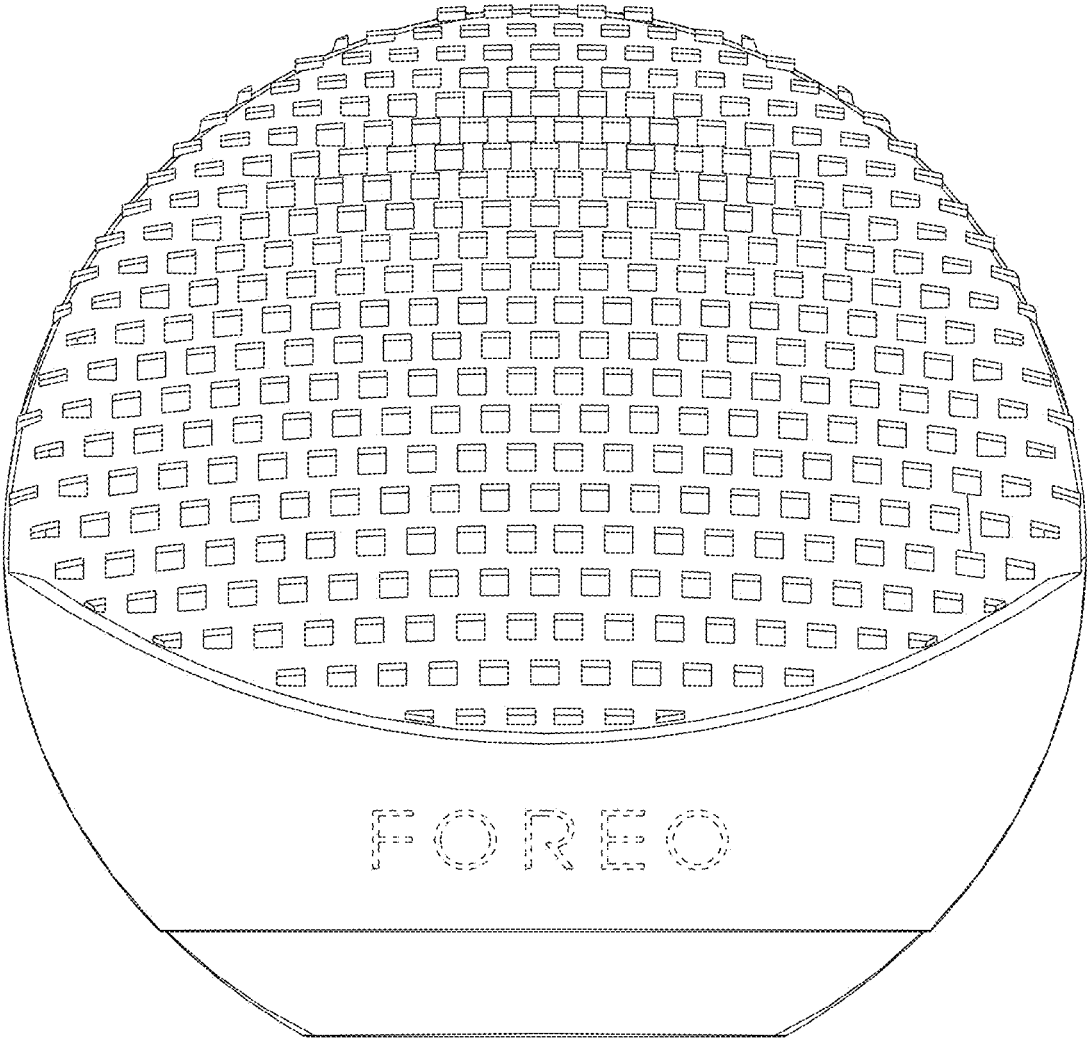


FIG. 9

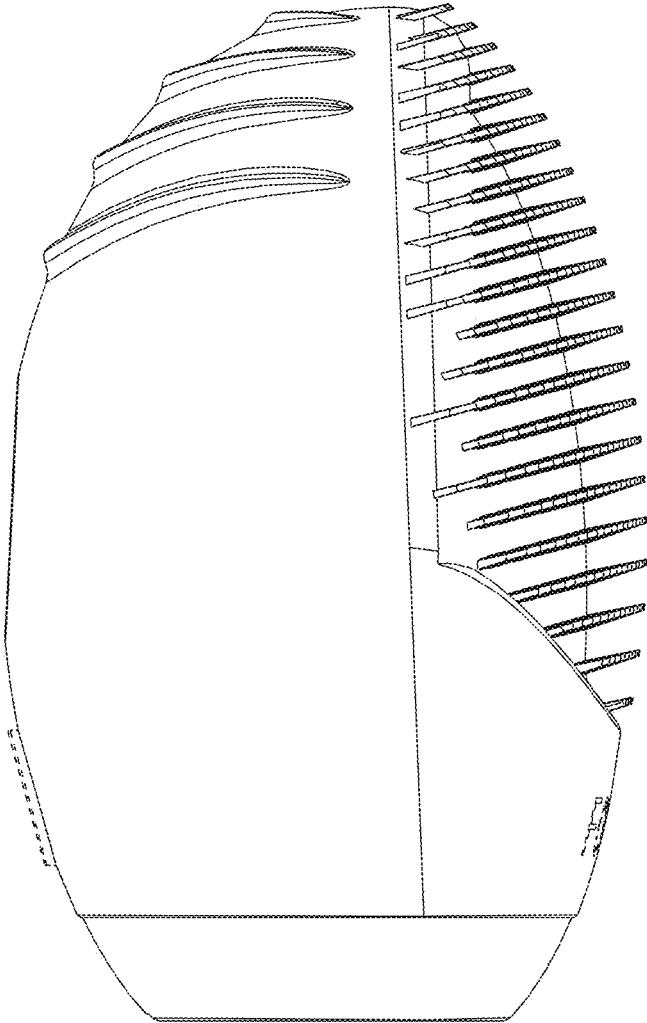


FIG. 10

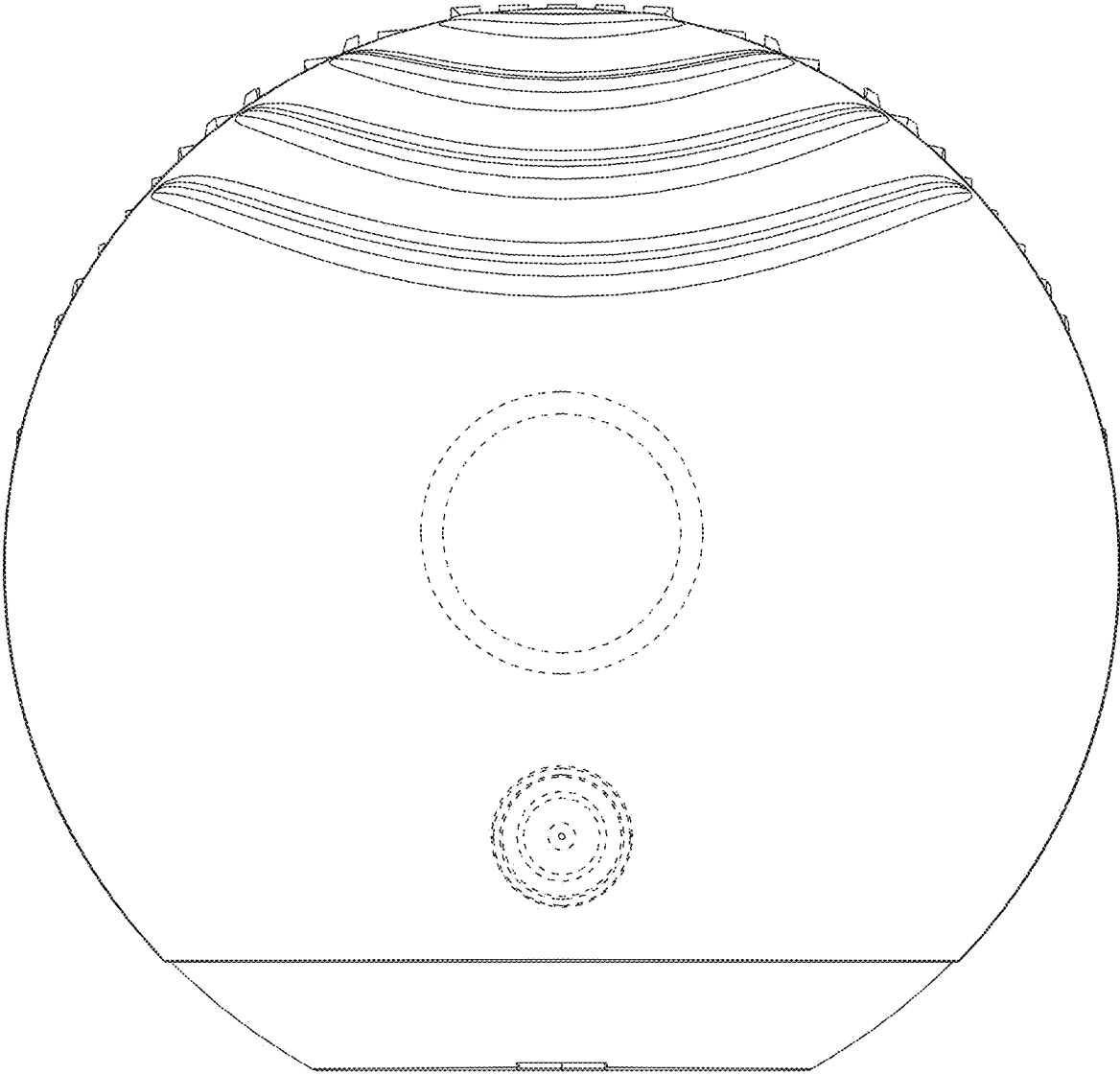


FIG. 11

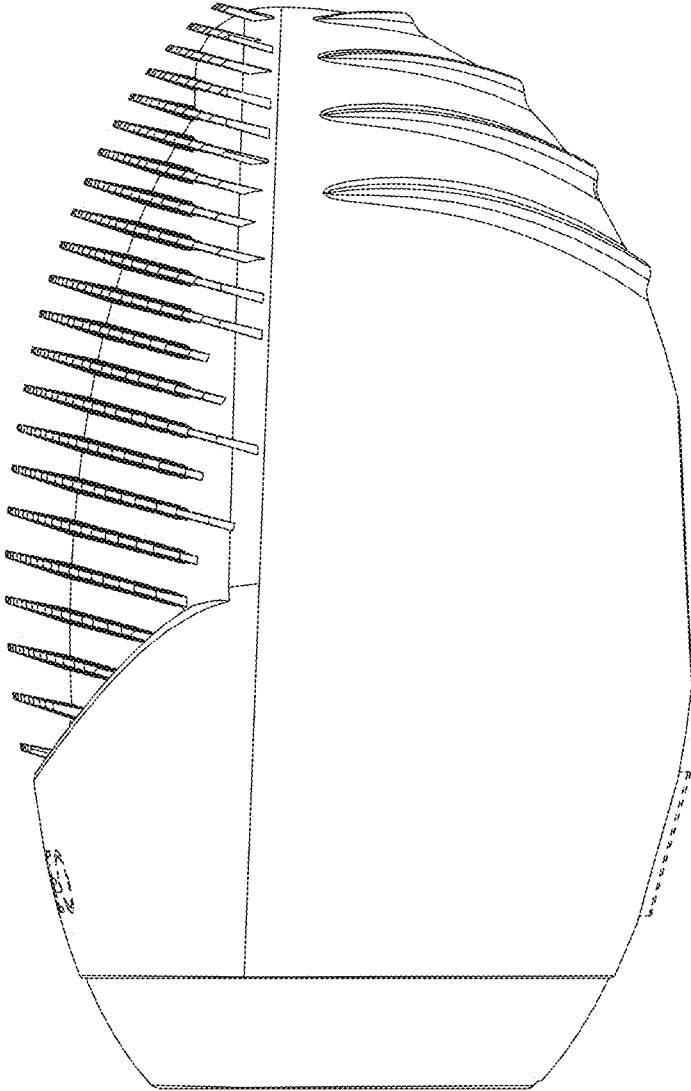


FIG. 12

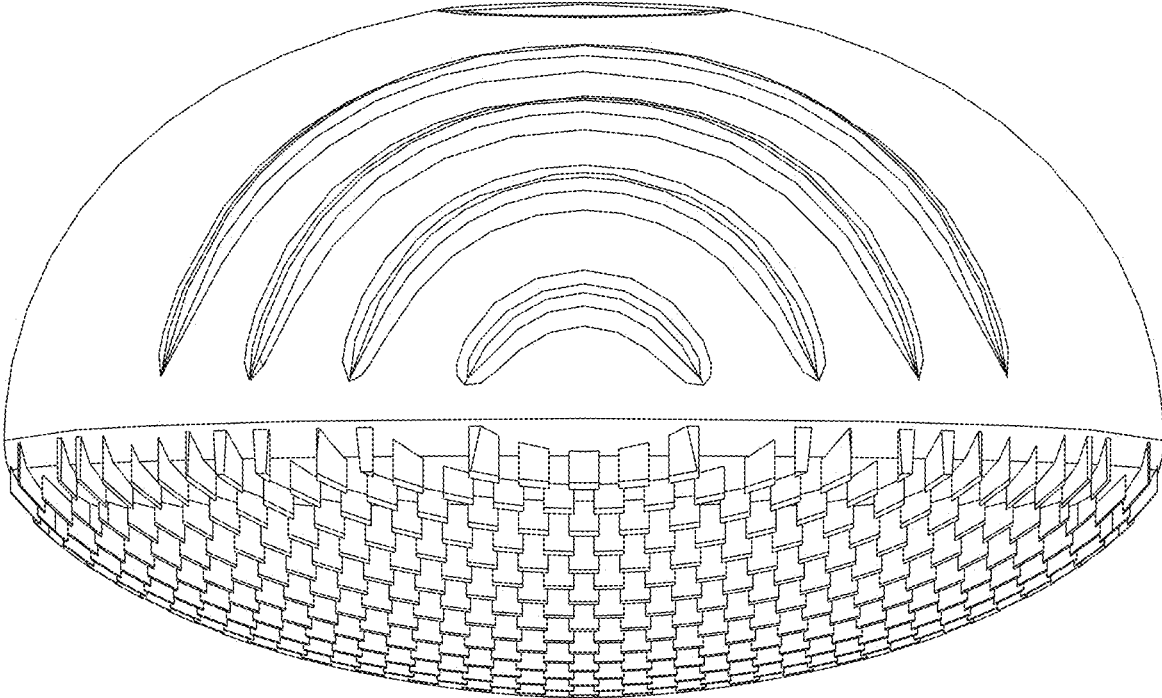


FIG. 13

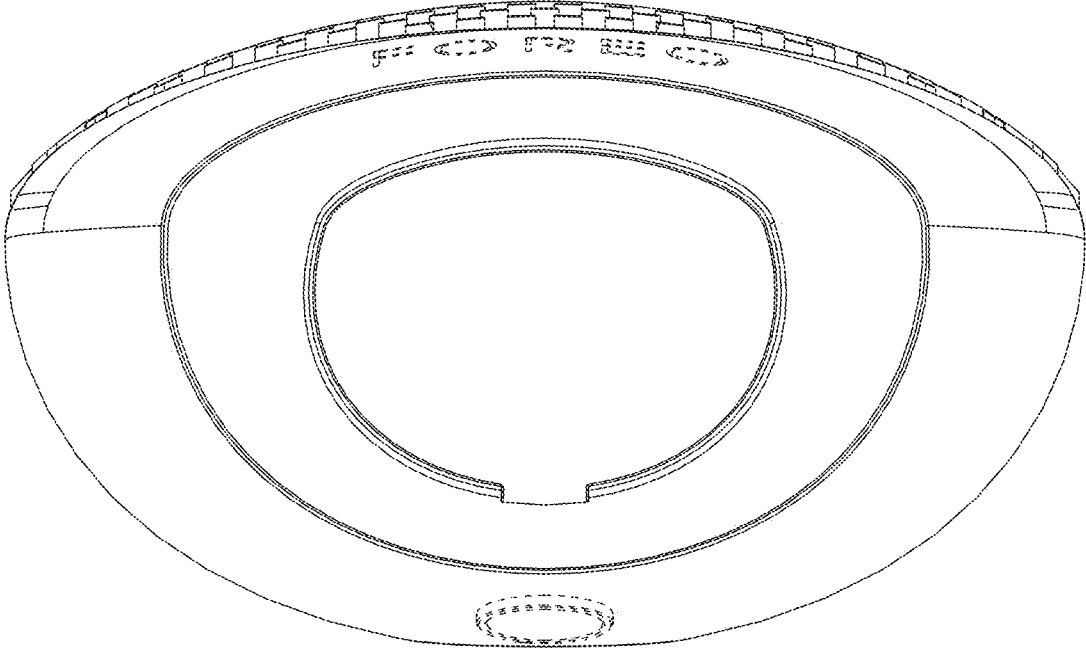


FIG. 14

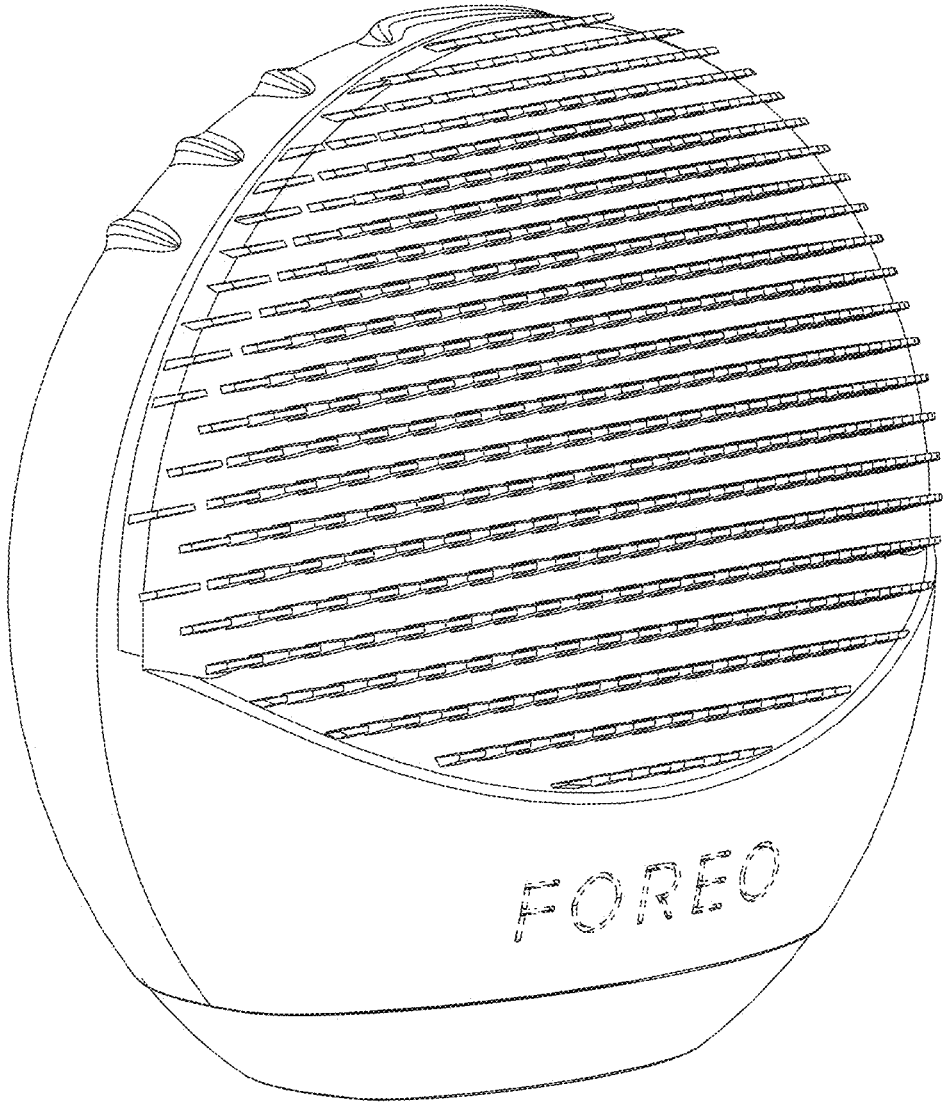


FIG. 15



FIG. 16

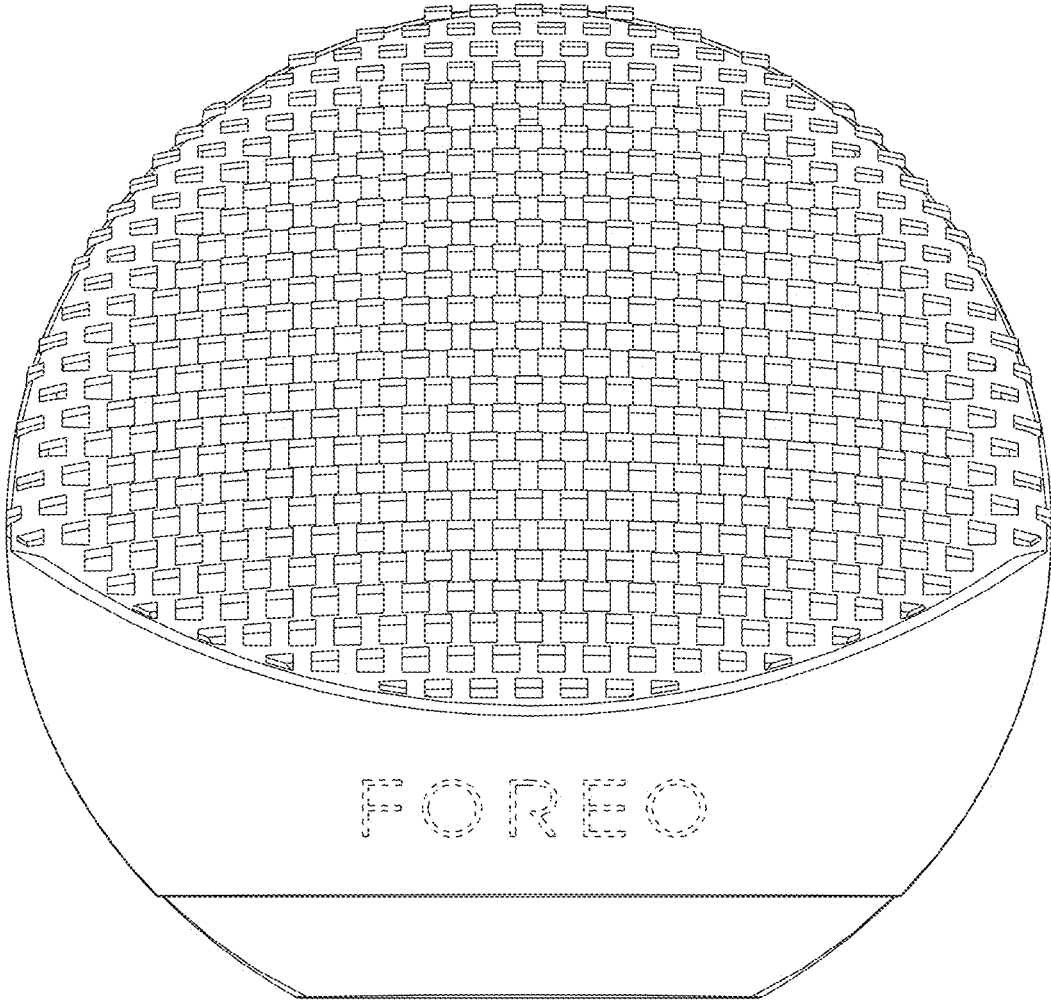


FIG. 17

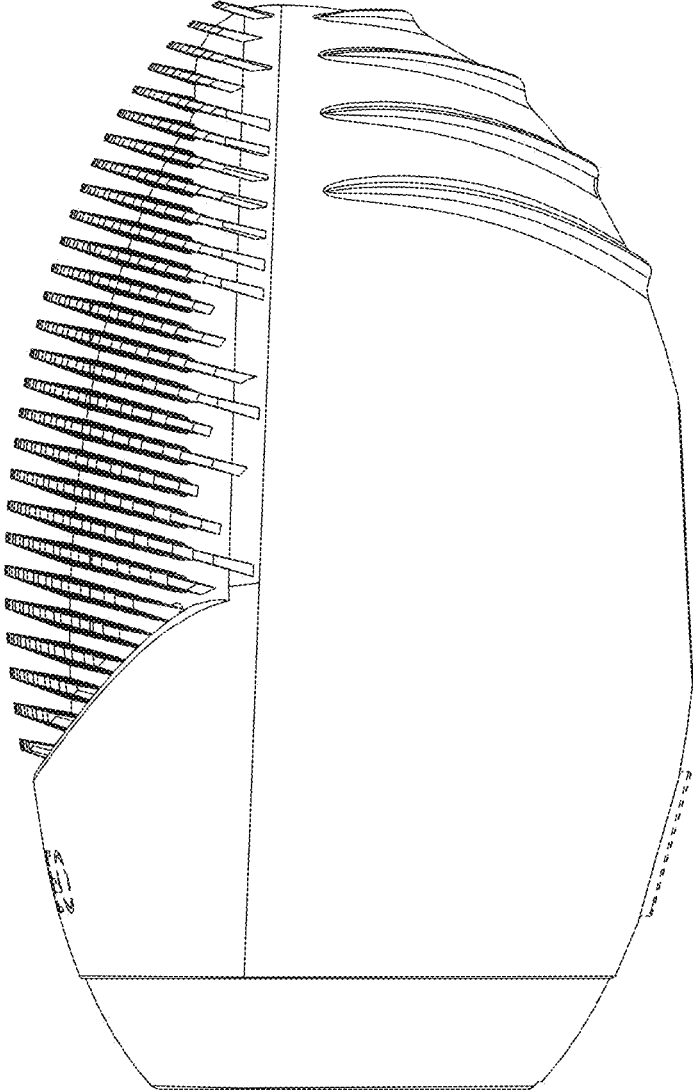


FIG. 18

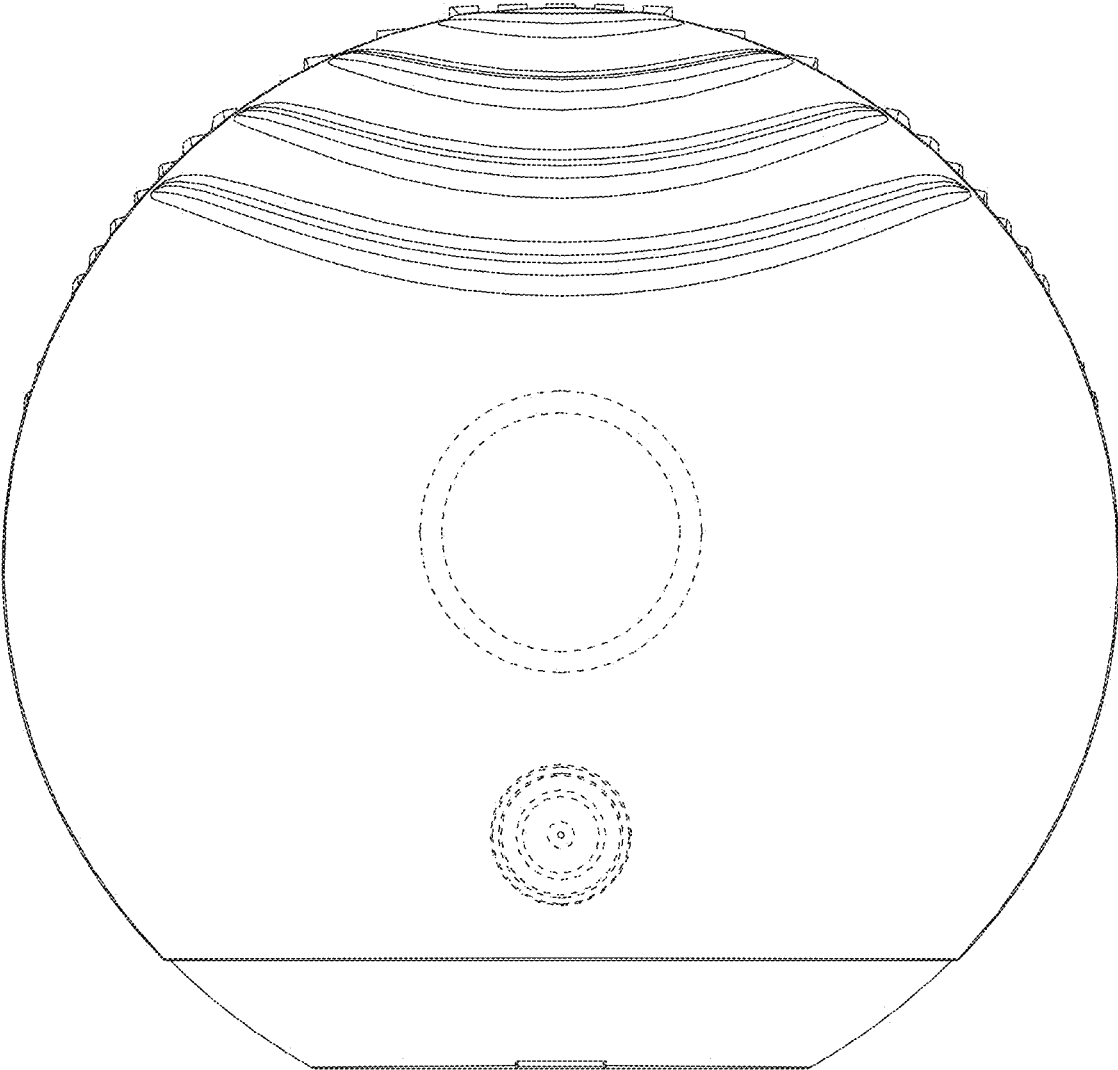


FIG. 19

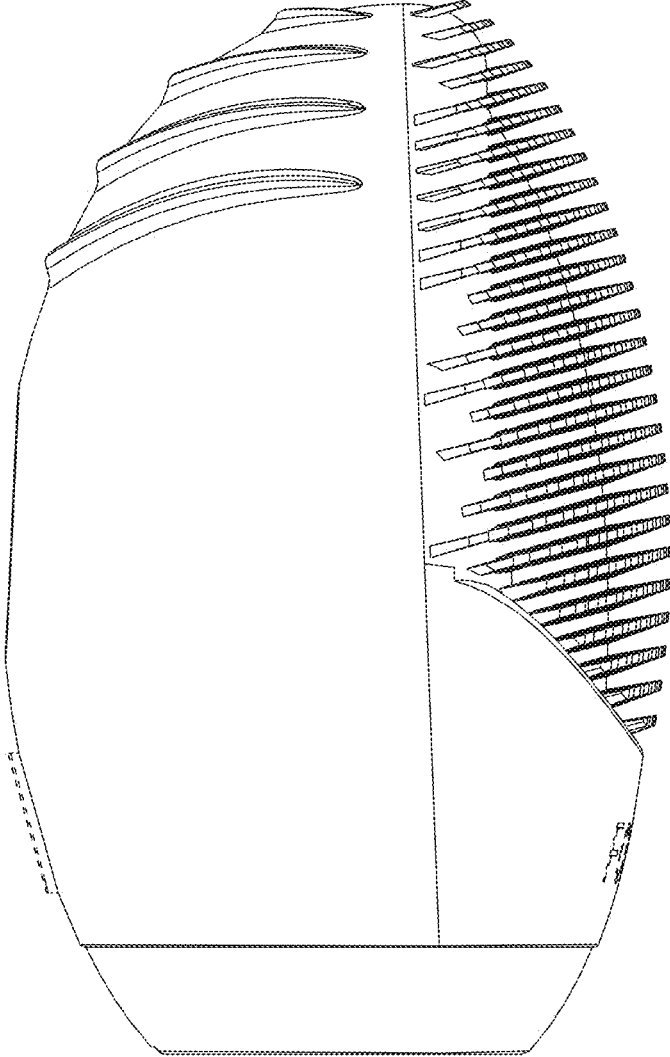


FIG. 20

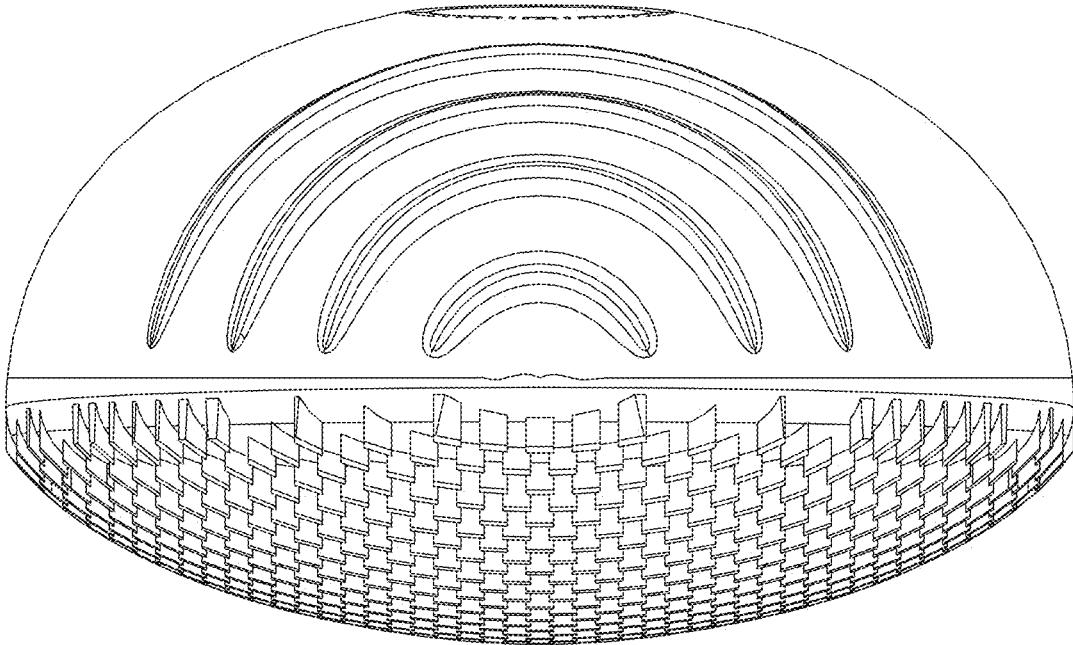


FIG. 21

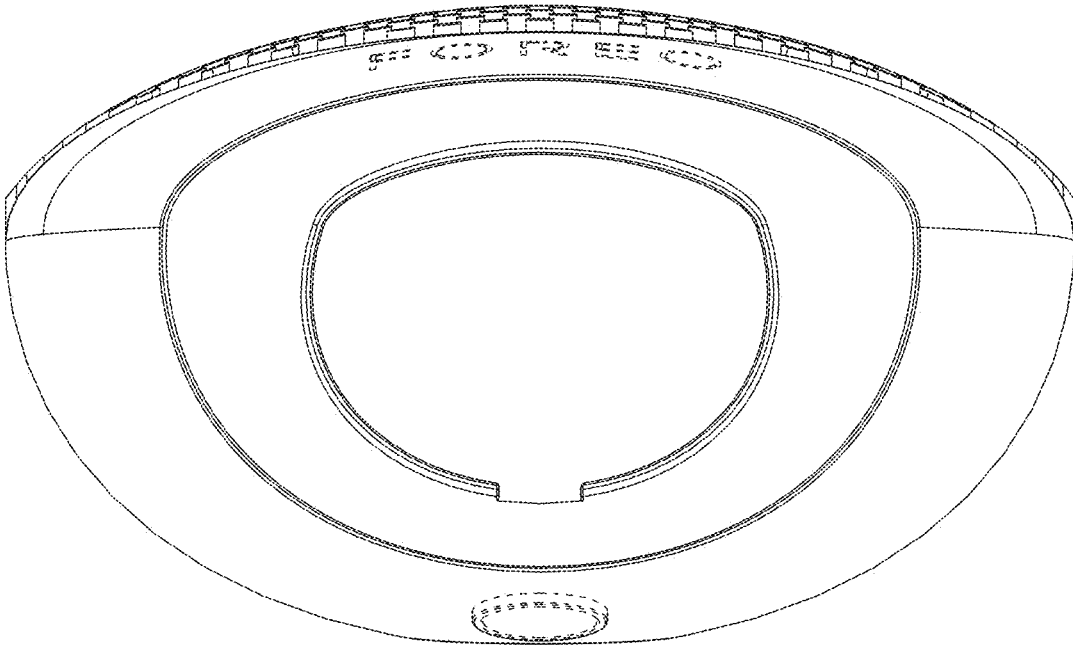


FIG. 22

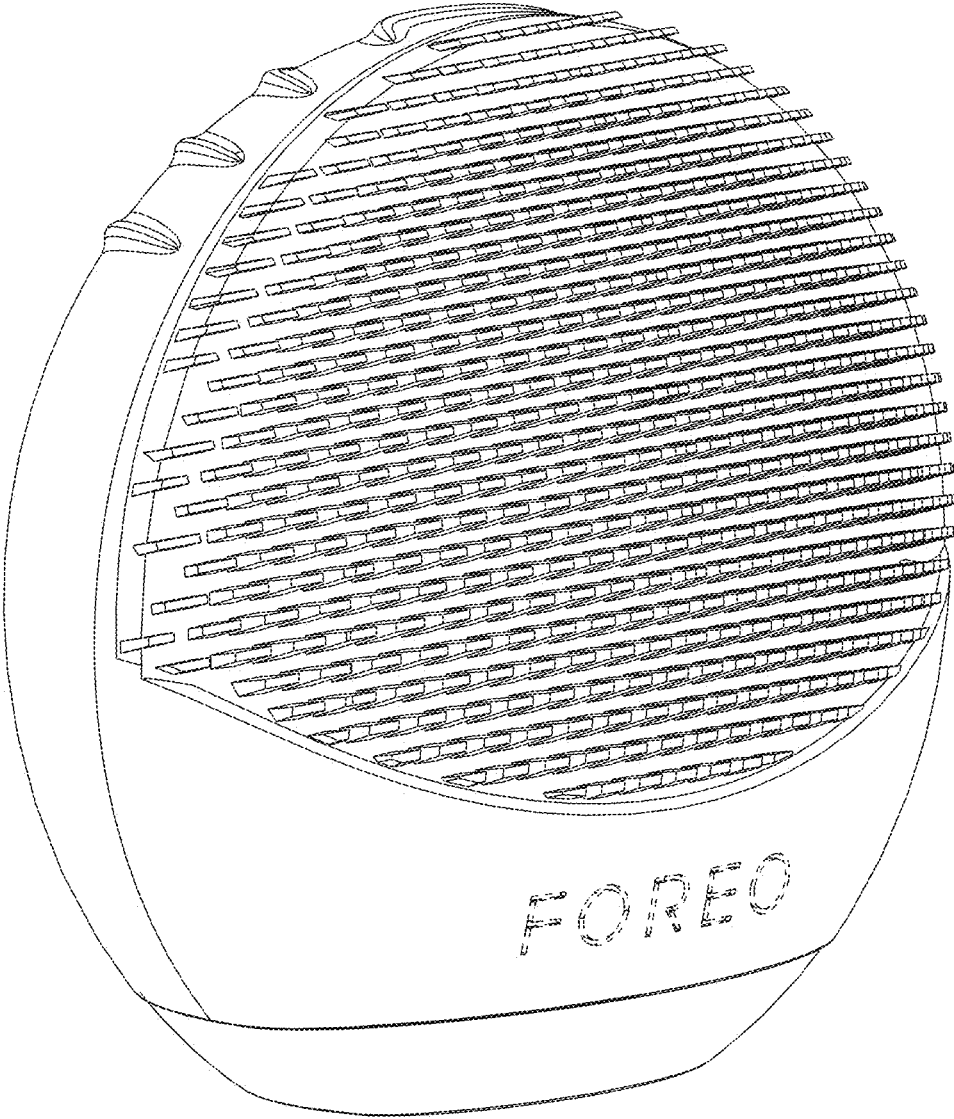


FIG. 23

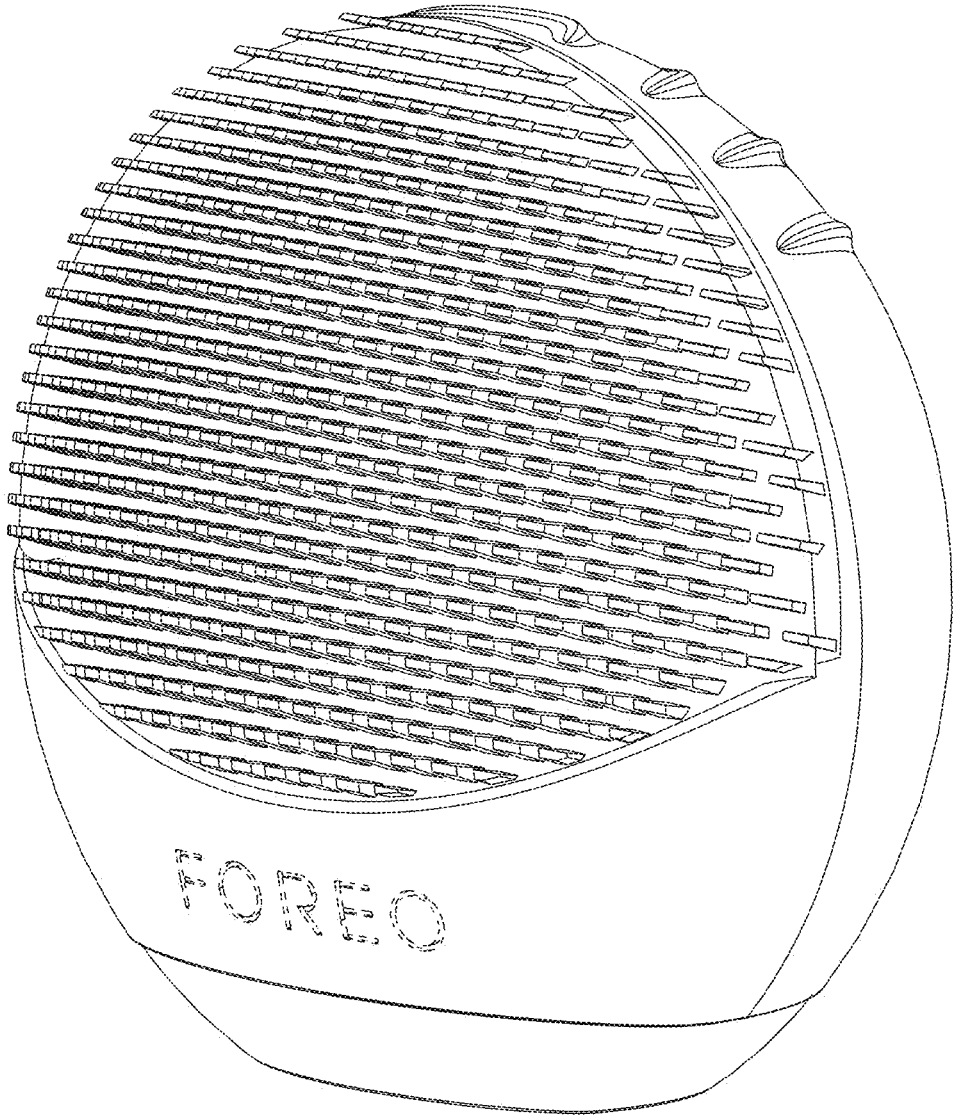


FIG. 24