



US00D673745S

(12) **United States Design Patent**
Pung et al.

(10) **Patent No.:** **US D673,745 S**
(45) **Date of Patent:** **** Jan. 1, 2013**

(54) **CLEANING SHEET**

(75) Inventors: **David John Pung**, Loveland, OH (US);
Mimi Gizaw Daniel, Cincinnati, OH
(US); **George Junior Angelo Patrick**,
Springdale, OH (US); **Sylvie**
Marguerite Linneman, Silverton, OH
(US); **Karen Marie Kershner**,
Cincinnati, OH (US)

(73) Assignee: **The Procter & Gamble Company**,
Cincinnati, OH (US)

(**) Term: **14 Years**

(21) Appl. No.: **29/424,686**

(22) Filed: **Jun. 14, 2012**

(51) **LOC (9) Cl.** **04-01**

(52) **U.S. Cl.** **D32/40**

(58) **Field of Classification Search** D32/40-46;
15/208, 209.1, 244.1-244.4

See application file for complete search history.

(56) **References Cited**

U.S. PATENT DOCUMENTS

D556,967	S	*	12/2007	Martins et al.	D32/40
D633,672	S	*	3/2011	McKnight	D32/40
D633,673	S	*	3/2011	McKnight	D32/40
D640,025	S	*	6/2011	Wildeman	D32/40
D643,981	S	*	8/2011	Wildeman	D32/40
D657,513	S	*	4/2012	Wildeman	D32/40

OTHER PUBLICATIONS

U.S. Appl. No. 29/425,072, filed Aug. 20, 2012 Pung, et al.
U.S. Appl. No. 29/424,663, filed Aug. 14, 2012 Shafer, et al.

* cited by examiner

Primary Examiner — Robin V Webster
(74) *Attorney, Agent, or Firm* — Larry L. Huston; Leonard
W. Lewis

(57) **CLAIM**

The ornamental design for a cleaning sheet, as shown and
described.

DESCRIPTION

FIG. 1 is a perspective view of a cleaning sheet showing our
new design;

FIG. 2 is a top view thereof;

FIG. 3 is a side view thereof;

FIG. 4 is the opposite side view thereof;

FIG. 5 is a front view thereof;

FIG. 6 is a back view thereof;

FIG. 7 is a perspective view of an alternate embodiment;

FIG. 8 is a top view thereof;

FIG. 9 is a side view thereof;

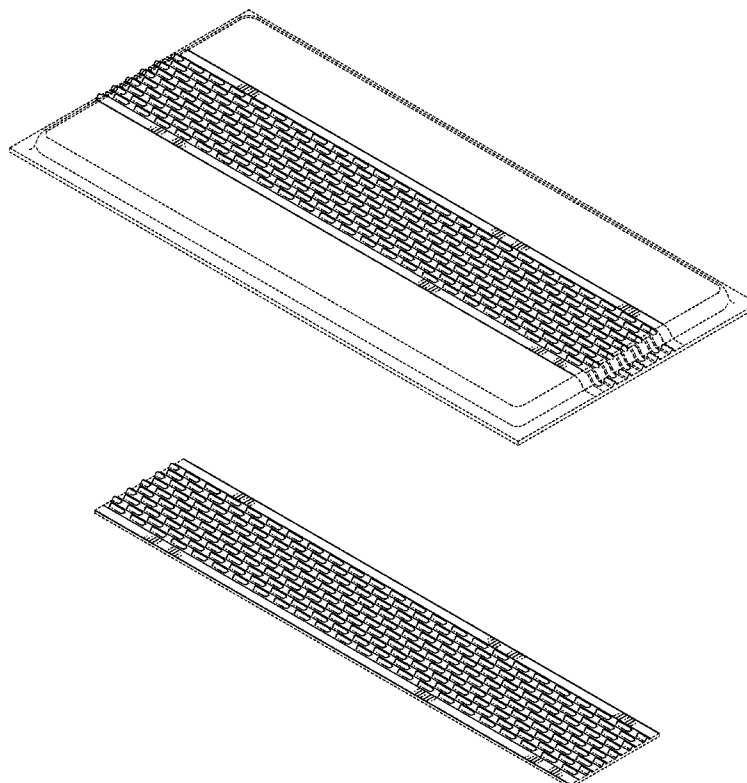
FIG. 10 is the opposite side view thereof;

FIG. 11 is a front view thereof; and,

FIG. 12 is a back view thereof.

The broken lines shown in the drawings are for illustrative
purposes only and form no part of the claimed design.

1 Claim, 5 Drawing Sheets



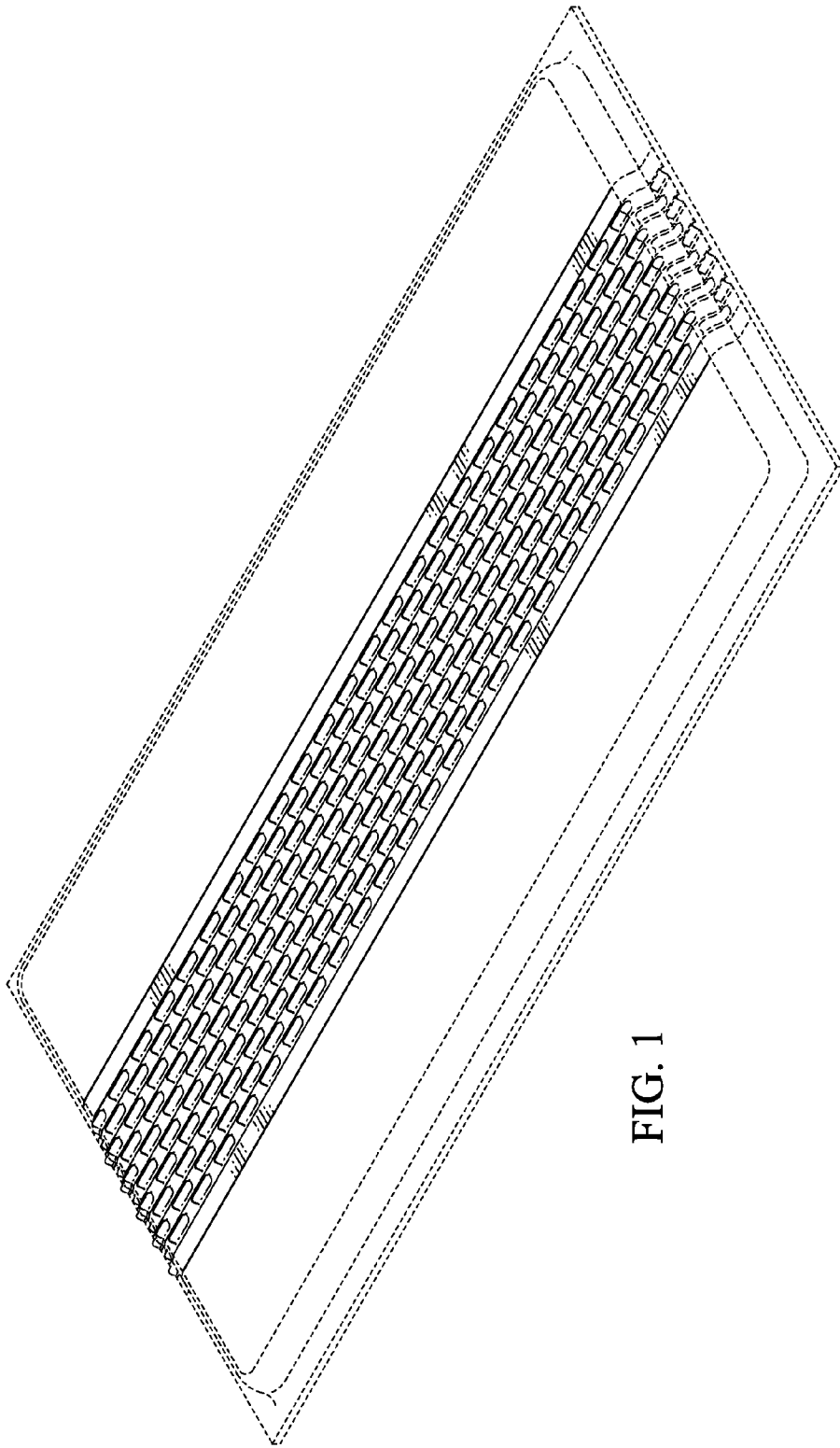


FIG. 1

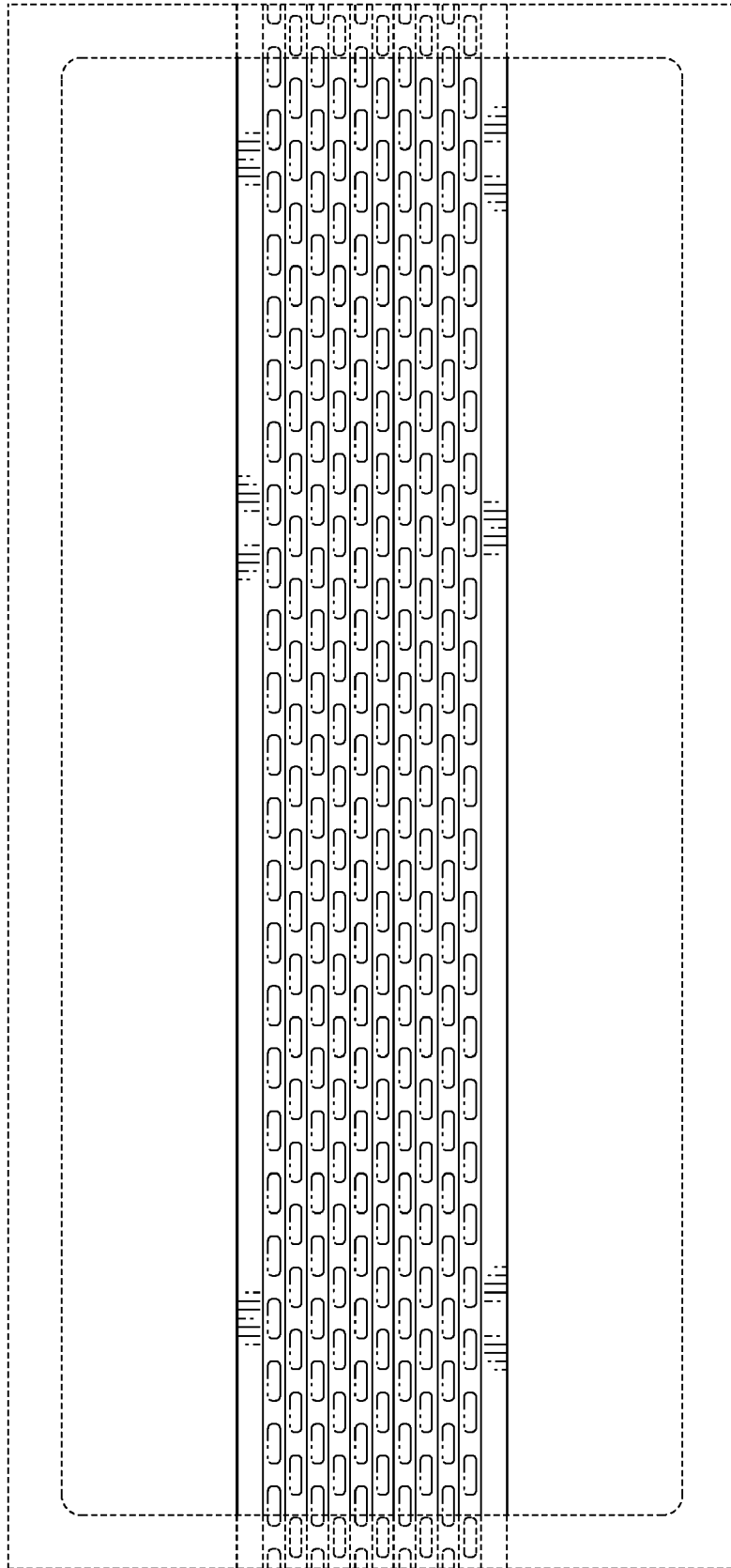


FIG. 2

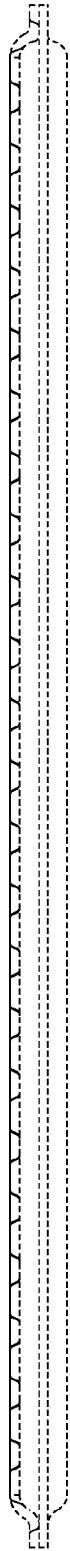


FIG. 3



FIG. 4



FIG. 5

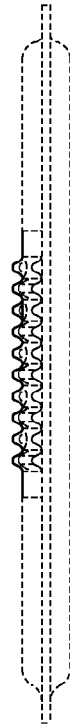


FIG. 6

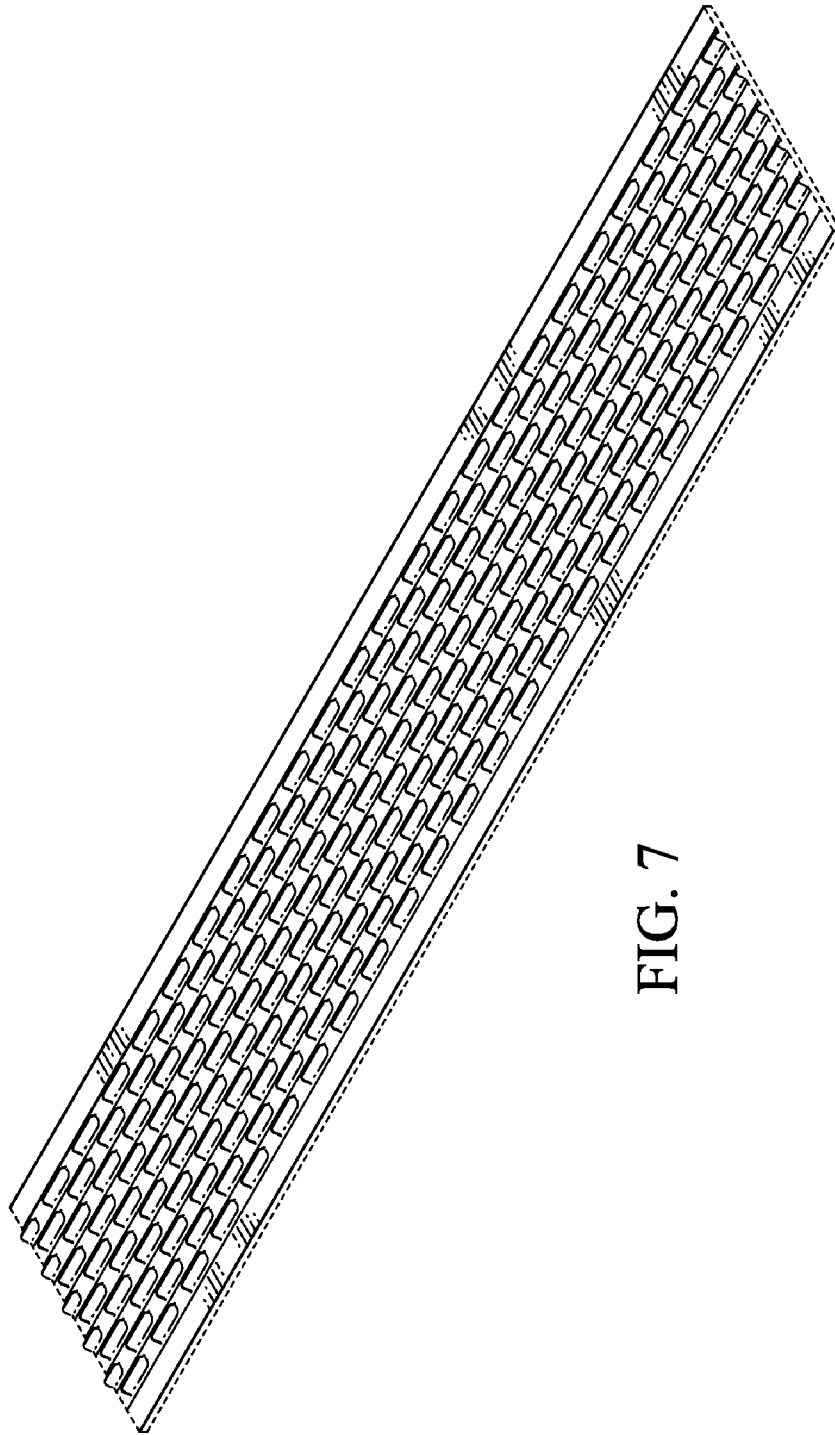


FIG. 7

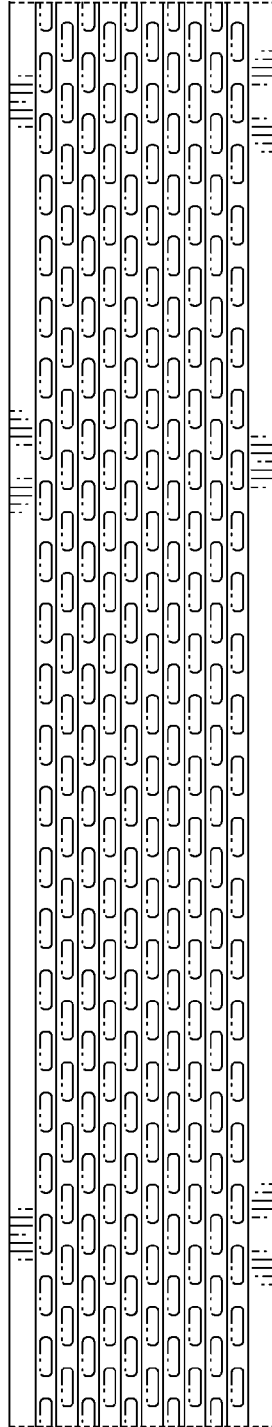


FIG. 8



FIG. 9



FIG. 10

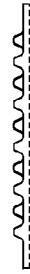


FIG. 11



FIG. 12