



US00D739984S

(12) **United States Design Patent**  
**Harvey et al.**

(10) **Patent No.:** **US D739,984 S**

(45) **Date of Patent:** **\*\* Sep. 29, 2015**

- (54) **PET WATER BOTTLE**
- (71) Applicant: **SportPet Designs, Inc.**, Waukesha, WI (US)
- (72) Inventors: **Miles E. Harvey**, Brookfield, WI (US); **Adam M. Kellogg**, Oconomowoc, WI (US)
- (73) Assignee: **SportPet Designs, Inc.**, Weukesha, WI (US)
- (\*\*) Term: **14 Years**
- (21) Appl. No.: **29/516,520**
- (22) Filed: **Feb. 3, 2015**
- (51) **LOC (10) Cl.** ..... **30-03**
- (52) **U.S. Cl.**  
USPC ..... **D30/132**; D30/121; D30/129
- (58) **Field of Classification Search**  
USPC ..... D30/121-133; 119/51.01, 61, 51.04, 119/53, 57.91, 54, 53.5, 52.4, 51.11, 63, 119/61.2, 52.1, 57.5, 57.6, 51.13, 62, 75, 119/500, 501, 72, 72.5, 74, 78-81, 61.56, 119/51.5; 239/7, 687, 379, 397.5; 222/199, 222/181.1, 181.2, 185.1, 557, 156, 485, 222/486, 548, 555, 207, 205, 424, 438, 48, 222/206, 212, 215, 460, 461, 525, 86, 89; 220/200, 227, 247, 262, 694, 700, 701, 220/703, 660-662, 521, 705, 709, 287, 523, 220/574, 6, 771, 737, 23.83, 212, 4.22, 220/847; 221/174, 185.1, 289, 295, 296, 221/559; 454/35; 209/270, 283, 244; 52/194, 192; 49/279, 344, 357; D34/28; D9/531, 549, 516, 523, 530, D9/538, 541, 544, 559, 719, 716, 424, 426, D9/432, 428, 431, 433, 739; D7/300, D7/300.1, 302-305, 312, 316, 317, D7/507-512, 523, 524, 528, 700, 709, 605, D7/620, 612, 619.1, 624.2, 624.3, 550.1, D7/571, 587; D3/132; D15/143, 199; D28/4, 7, 9; D19/66; 141/343, 331, 141/340, 384, 330, 332, 383, 311 R, 313,

141/338, 344, 345; 210/455; 215/228, 231, 215/235, 319-383, 386, DIG. 7, 388, 6, 215/12.1, 10, 13.1; 4/258, 259, 267; 206/459.1, 459.5, 501, 45.23, 6, 514, 206/DIG. 10, 217, 543, 544, 546, 549, 223, 206/241, 541, 518, 522, 557, 591; 224/148.4, 148.7, 650

CPC ..... A01K 7/00; A01K 7/005; A01K 7/02; A01K 7/022; A01K 7/06; A01K 39/0213; A01K 39/02; B65D 41/26; B65D 41/265; B65D 41/28; B65D 41/32; B65D 41/325; B65D 41/34; B65D 41/56; B65D 51/20; B65D 51/249; B65D 51/24; B65D 51/28; B65D 47/243; B65D 2205/04; B65D 21/0238; B65D 81/3205; B65D 81/3216; B65D 71/50; B65D 77/2024; B65D 43/0212; B65D 2517/0049; B65D 2543/00046; B65D 2543/00092; B65D 2543/00537; B65D 2543/00731; B65D 2543/00796; B65D 2577/205; A61J 9/00; A61J 9/006; A61J 9/001; A61J 9/003; A61J 11/04; A61J 19/00; B65B 39/00; B65B 39/001; B65B 39/005; B65B 39/007; B67C 11/02; G01F 11/286; B67B 7/28

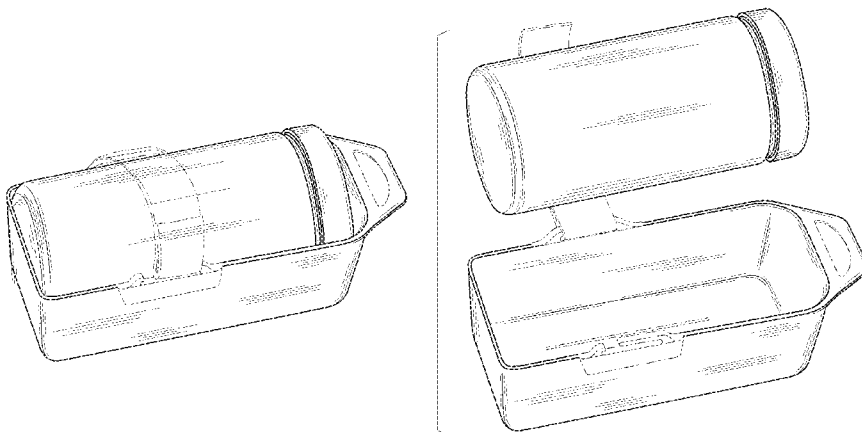
See application file for complete search history.

(56)

**References Cited**

U.S. PATENT DOCUMENTS

919,182	A *	4/1909	King	206/499
1,194,466	A *	8/1916	Berg	206/544
1,231,801	A *	7/1917	Smart et al.	206/544
1,267,940	A *	5/1918	Visscher	206/543
1,316,240	A *	9/1919	Hothersall	206/544
D54,307	S *	12/1919	Cuporak	D7/612
1,393,657	A *	10/1921	Altenberg	206/544
1,420,598	A *	6/1922	Williamson et al.	206/544
1,438,417	A *	12/1922	Williamson	206/544
1,478,365	A *	12/1923	Wright	206/544
1,488,492	A *	4/1924	Gray	206/544
1,520,964	A *	12/1924	Ostrowski	206/544
1,546,254	A *	7/1925	Rotzell	206/544
1,653,913	A *	12/1927	Korwan	206/544
1,693,127	A *	11/1928	Walter et al.	206/544
1,699,698	A *	1/1929	Hothersall	206/544
1,748,841	A *	2/1930	Hermani	206/544
D86,061	S *	1/1932	Shepard	D9/751



1,892,756	A *	1/1933	Van Horne	206/515
1,901,534	A *	3/1933	Redfield	206/543
2,013,852	A *	9/1935	Odendahl	206/544
2,105,382	A *	1/1938	Van Horn	206/543
2,501,894	A *	3/1950	Eide	206/543
2,585,174	A *	2/1952	Rosendahl	220/574
2,761,552	A *	9/1956	Levine	206/543
2,783,874	A *	3/1957	Brown et al.	206/543
2,825,444	A *	3/1958	Weir, Jr.	206/543
D183,754	S *	10/1958	Lax	D7/612
D183,755	S *	10/1958	Lax	D7/612
2,944,694	A *	7/1960	Kinsey	206/541
D208,831	S *	10/1967	Stockdale	D9/425
D209,770	S *	1/1968	Laney, Jr.	D7/612
3,426,889	A *	2/1969	Fuller	206/544
3,921,807	A *	11/1975	Duevel	206/544
4,050,581	A *	9/1977	Sedlacek	206/544
D249,218	S *	9/1978	Mathison et al.	D9/433
4,278,172	A *	7/1981	Ghebresillassie	206/544
4,279,342	A *	7/1981	Van Pelt	206/542
4,762,086	A *	8/1988	Atchley	119/477
4,872,577	A *	10/1989	Smith	220/739
D322,753	S *	12/1991	Sussman	D9/504
5,390,817	A *	2/1995	Rosen	220/669
D364,341	S *	11/1995	Regenscheid et al.	D9/719
5,615,765	A *	4/1997	Roericht	206/45.23
5,636,592	A *	6/1997	Wechsler	
D400,099	S *	10/1998	Brauner et al.	D9/431
5,823,136	A *	10/1998	Zarski	119/61.56
D400,787	S *	11/1998	Keener	D9/719
5,839,609	A *	11/1998	Zakensberg	222/107
5,878,908	A *	3/1999	Foley	220/575
5,960,742	A *	10/1999	O'Rourke	
6,039,207	A *	3/2000	Adamek	220/739
D423,736	S *	4/2000	O'Rourke	
6,149,006	A *	11/2000	Brauner et al.	206/551
6,367,649	B1 *	4/2002	Balakumar	220/575
6,405,675	B1	6/2002	Mills	
D468,489	S	1/2003	Wechsler	
D472,473	S	4/2003	Wechsler	
6,604,649	B1 *	8/2003	Campi	220/739
6,718,911	B2	4/2004	Greenberg	
D500,675	S *	1/2005	De Man et al.	D9/425
6,971,331	B1 *	12/2005	Rohrer	119/77
7,287,487	B2	10/2007	Hurwitz	
7,490,577	B2	2/2009	Stephanos	
D591,563	S *	5/2009	Johnson	D7/624.2
7,549,395	B2	6/2009	Stenberg	
D598,740	S *	8/2009	Auer et al.	D9/424
D603,225	S *	11/2009	Schinelli	D7/571
7,690,329	B2	4/2010	Parks	
D623,460	S	9/2010	Krasner	
D623,475	S *	9/2010	Aarnoudse et al.	D7/510
D624,363	S *	9/2010	Alviar et al.	D7/510
D642,904	S *	8/2011	Turvey	D9/424
D643,311	S *	8/2011	Meyers	D9/761
D655,134	S *	3/2012	Gilbert	D7/510
D655,204	S *	3/2012	Meyers	D9/715
D661,600	S *	6/2012	Hora et al.	D9/734

D665,254	S *	8/2012	Miller	D9/424
8,272,351	B2	9/2012	Hurwitz	
D705,501	S	5/2014	Li	
D706,384	S *	6/2014	Russell	D22/134
8,844,757	B2 *	9/2014	Wilmers et al.	220/608
D719,019	S *	12/2014	Avis	D9/432
D719,020	S *	12/2014	Avis	D9/432
D727,688	S *	4/2015	Hewitt et al.	D7/624.2
D728,314	S *	5/2015	Carstensen et al.	D7/510
2003/0015532	A1 *	1/2003	Rickman et al.	220/212
2005/0006268	A1 *	1/2005	Futernick	206/518
2007/0017450	A1	1/2007	Hurwitz	
2007/0017451	A1 *	1/2007	Hurwitz	119/74
2007/0017452	A1	1/2007	Hurwitz	
2007/0079762	A1 *	4/2007	Stephanos	119/74
2008/0087224	A1	4/2008	Wechsler	
2008/0115732	A1	5/2008	Stenberg	
2009/0159009	A1 *	6/2009	Parks	119/74
2009/0186132	A1 *	7/2009	Mangino et al.	426/120
2009/0301923	A1 *	12/2009	Van Puijenbroek	206/518
2010/0064976	A1 *	3/2010	Keller et al.	119/72
2011/0147260	A1 *	6/2011	Perchtold et al.	206/524.6
2011/0283948	A1	11/2011	Wong	
2012/0298045	A1	11/2012	Wechsler	
2014/0209032	A1 *	7/2014	Li	119/74

FOREIGN PATENT DOCUMENTS

JP	2010168060	A	8/2010
JP	5112351	B2	1/2013

\* cited by examiner

*Primary Examiner* — Susan Moon Lee  
(74) *Attorney, Agent, or Firm* — Ryan Kromholz & Manion, S.C.

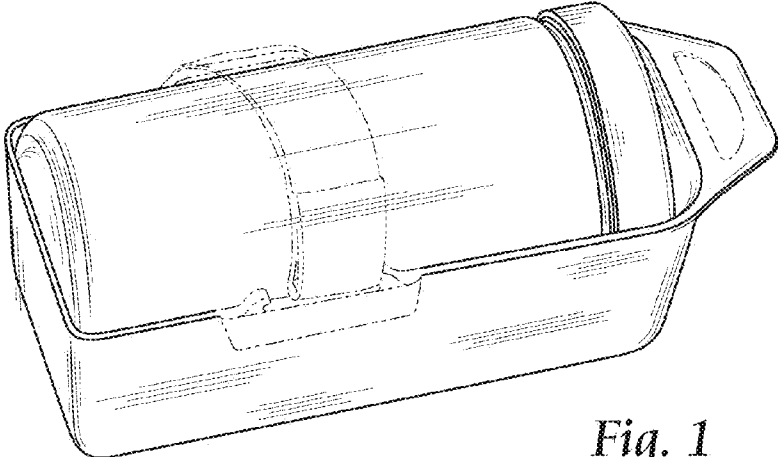
(57) **CLAIM**

The ornamental design for a pet water bottle, as shown and described.

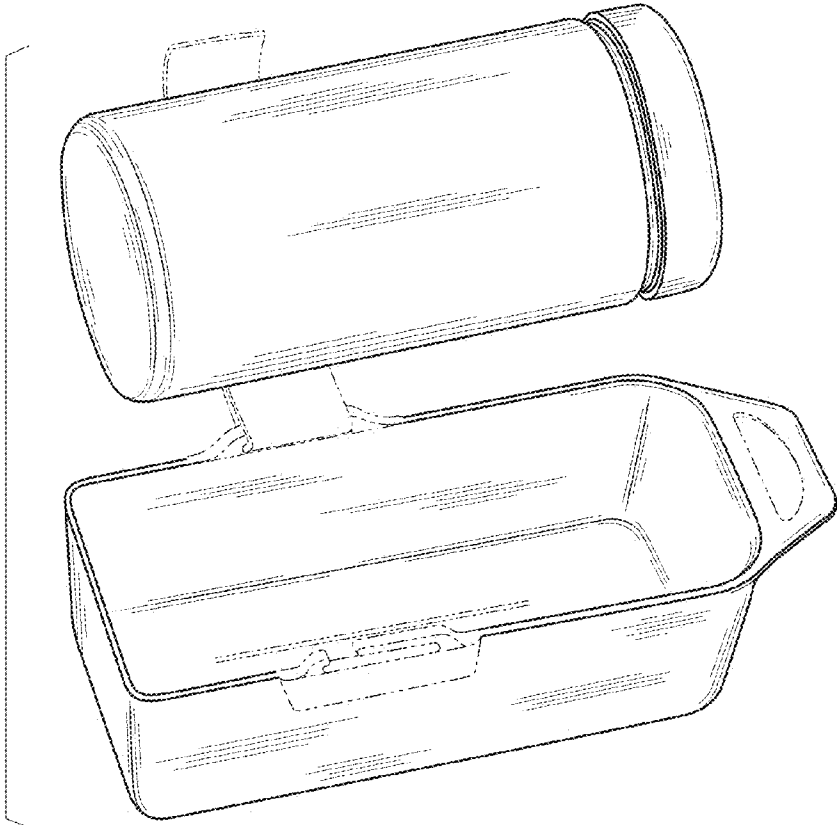
**DESCRIPTION**

FIG. 1 is a perspective view of a pet water bottle;  
 FIG. 2 is an exploded view of the pet water bottle;  
 FIG. 3 is a right side elevation view thereof;  
 FIG. 4 is a left side elevation view thereof;  
 FIG. 5 is a rear elevation view thereof;  
 FIG. 6 is a front elevation view thereof;  
 FIG. 7 is a top plan view thereof; and,  
 FIG. 8 is a bottom plan view thereof.  
 Broken lines and unshaded portions contained within broken lines are not claimed.

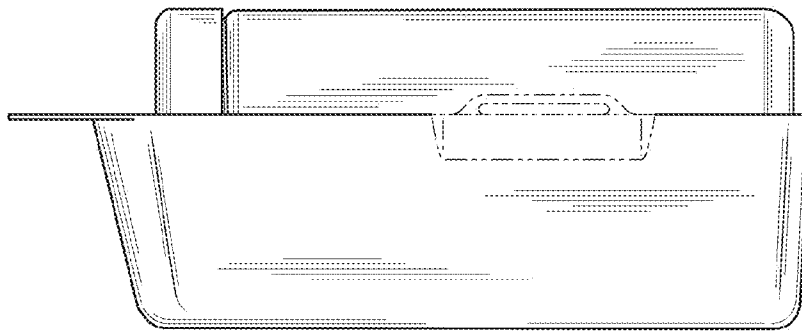
**1 Claim, 3 Drawing Sheets**



*Fig. 1*



*Fig. 2*



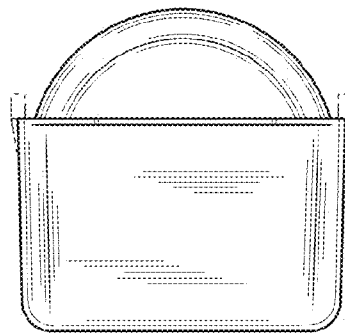
*Fig. 3*



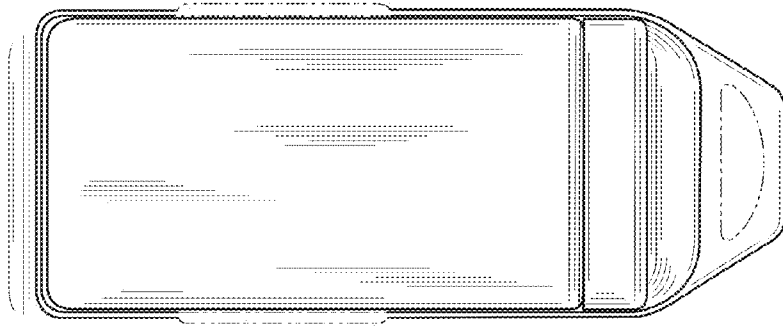
*Fig. 4*



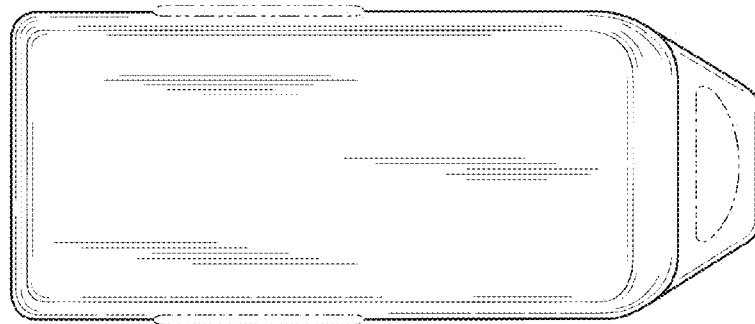
*Fig. 5*



*Fig. 6*



*Fig. 7*



*Fig. 8*