



(12) **United States Design Patent**  
**Shen**

(10) **Patent No.:** **US D592,850 S**  
(45) **Date of Patent:** **\*\* May 26, 2009**

- (54) **DEVICE FOR USE WITH A BELT FOR COUPLING A GUN HOLSTER**
- (75) Inventor: **Chanan Har Shen**, Kfar Hess (IL)
- (73) Assignee: **Fobus International Ltd.** (IL)
- (\*\*) Term: **14 Years**
- (21) Appl. No.: **29/318,700**
- (22) Filed: **May 27, 2008**

*Primary Examiner*—Catherine R Oliver  
(74) *Attorney, Agent, or Firm*—Ostrolenk, Faber, Gerb & Soffen, LLP

(57) **CLAIM**

The ornamental design for a device for use with a belt for coupling a gun holster, as shown.

- (51) **LOC (9) Cl.** ..... **03-01**
- (52) **U.S. Cl.** ..... **D3/222**
- (58) **Field of Classification Search** ..... D3/222-223,  
D3/215, 218, 221, 228; 224/192-198, 240,  
224/243, 911-912, 672, 674; 24/507-511;  
248/311.2

See application file for complete search history.

(56) **References Cited**

**U.S. PATENT DOCUMENTS**

D453,068 S *	1/2002	Rogers et al.	.....	D3/222
D507,104 S *	7/2005	Gregory et al.	.....	D3/222
D508,318 S *	8/2005	Gregory et al.	.....	D3/222
D568,043 S *	5/2008	Zusman	.....	D3/222

\* cited by examiner

**DESCRIPTION**

FIG. 1 is a front perspective view of a device for use with a belt for coupling a gun holster showing my new design;  
 FIG. 2 is a rear perspective view thereof;  
 FIG. 3 is a rear elevation view thereof;  
 FIG. 4 is a right side elevation view thereof;  
 FIG. 5 is a bottom plan view thereof;  
 FIG. 6 is a front elevation view thereof;  
 FIG. 7 is a left side elevation view thereof;  
 FIG. 8 is a top plan view thereof; and,  
 FIG. 9 is a front elevation view of an internal part of FIG. 6.

**1 Claim, 4 Drawing Sheets**

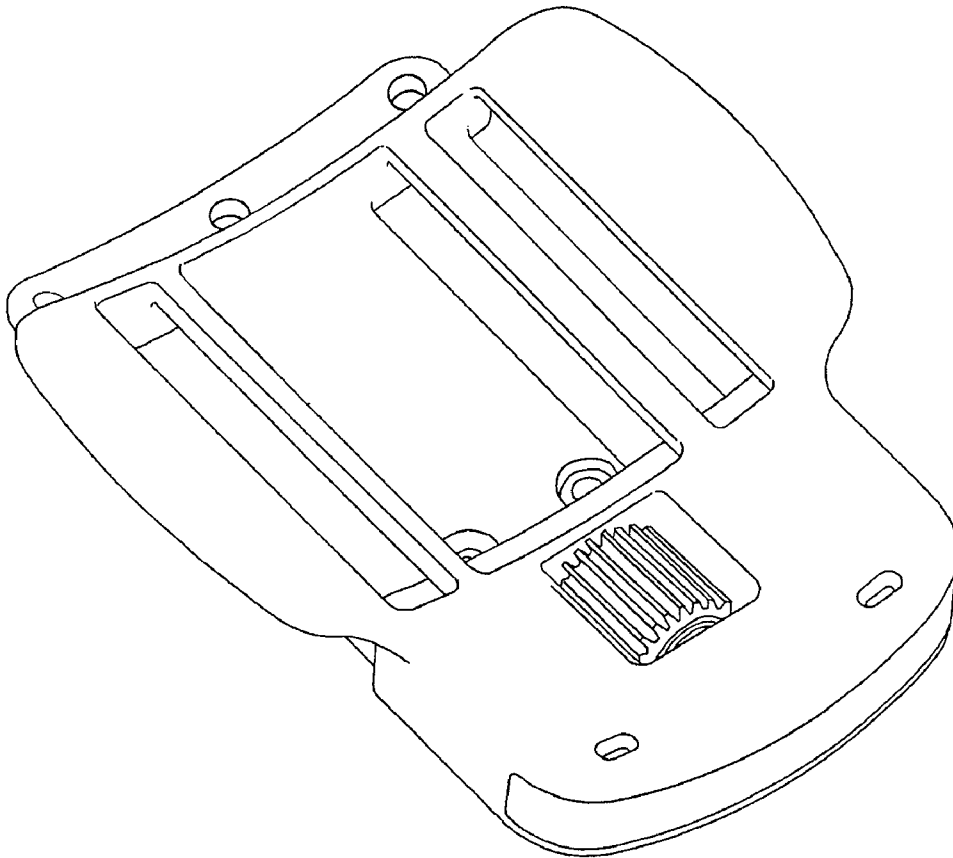


Fig.1

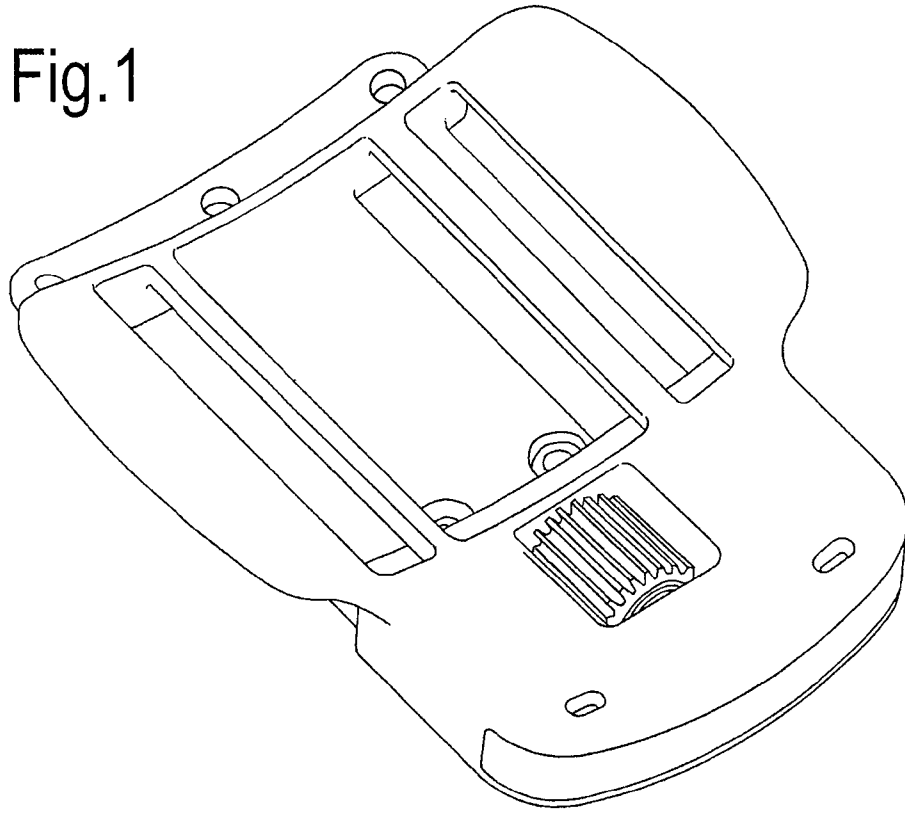
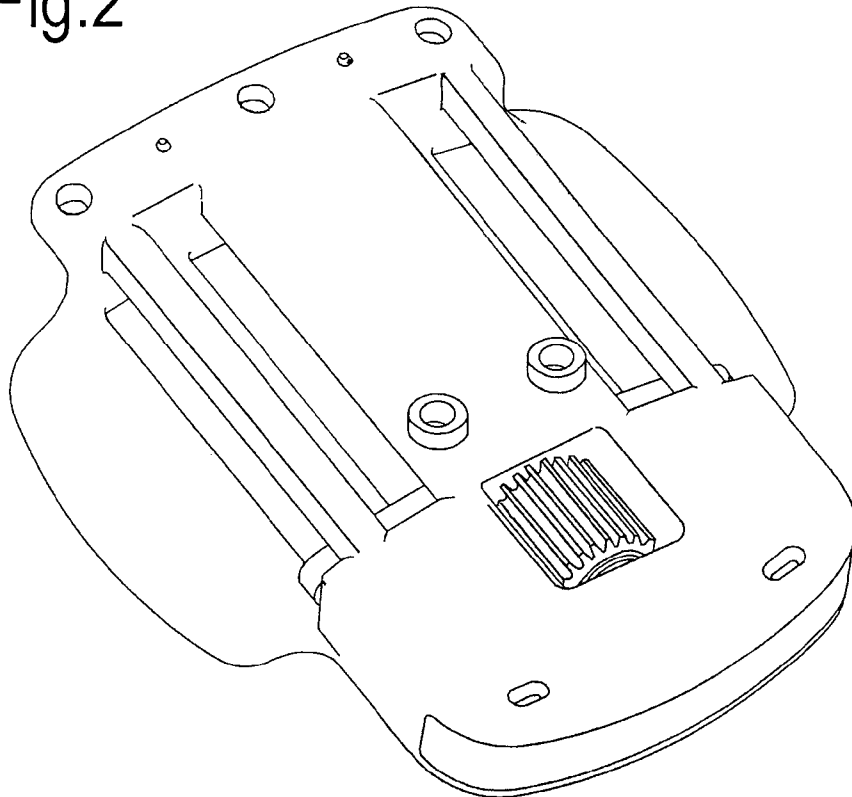


Fig.2



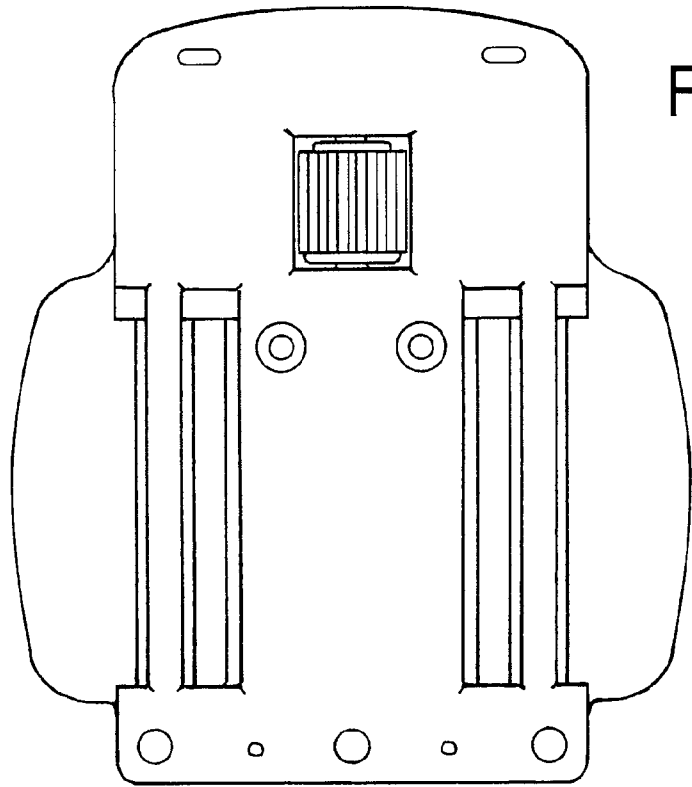


Fig.3

Fig.4

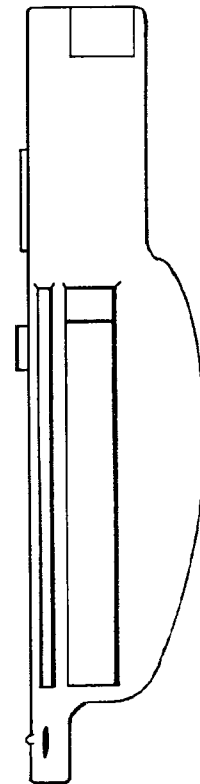
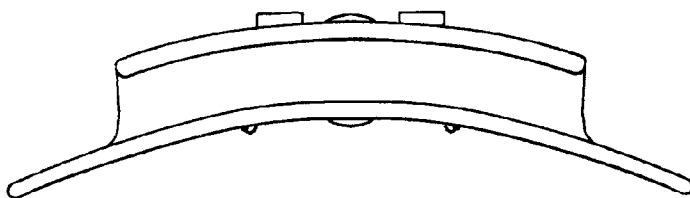


Fig.5



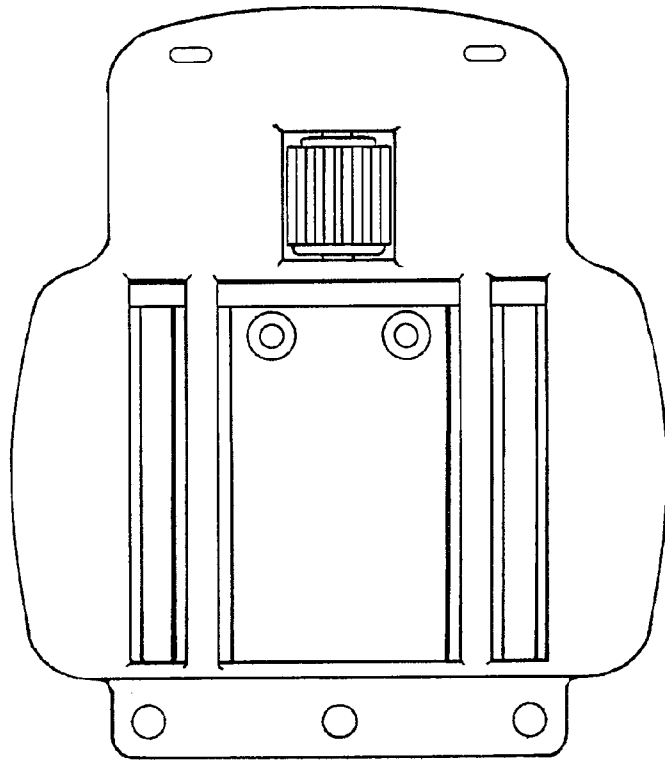


Fig.6

Fig.7

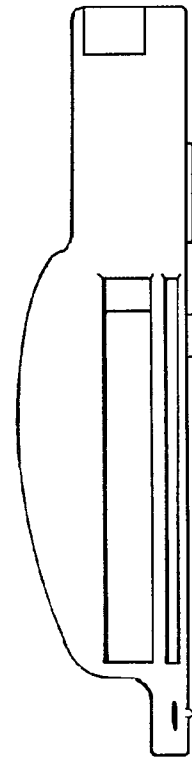


Fig.8

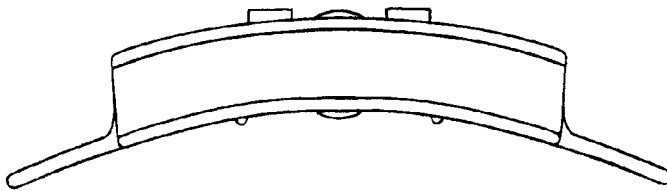


Fig.9

