



US00D624976S

(12) **United States Design Patent**
McBride et al.

(10) **Patent No.:** **US D624,976 S**

(45) **Date of Patent:** **** Oct. 5, 2010**

(54) **BASEBALL CATCHING AND THROWING SYSTEM**

(76) Inventors: **Kevin S. McBride**, 225 Clifton Dr., Athens, GA (US) 30606; **Francis P. Mullenbach**, 1220 Hillcrest Dr., Watkinsville, GA (US) 30677

(**) Term: **14 Years**

(21) Appl. No.: **29/355,216**

(22) Filed: **Feb. 4, 2010**

Related U.S. Application Data

(63) Continuation of application No. 12/119,951, filed on May 13, 2008, now abandoned.

(51) **LOC (9) Cl.** **21-02**

(52) **U.S. Cl.** **D21/698; D21/705; D21/720; D21/780**

(58) **Field of Classification Search** D21/300–303, D21/305, 698, 699, 705, 715, 720–722, 780; 473/415–504, 569, 570; 124/317.4, 317.7, 124/348, 355, 394–410; 273/6, 7, 16, 17, 273/21, 26, 54, 78

See application file for complete search history.

(56) **References Cited**

U.S. PATENT DOCUMENTS

3,043,592	A *	7/1962	Lohr	473/436
3,918,711	A *	11/1975	Zak	473/462
4,140,097	A *	2/1979	Lewis	124/80
4,517,953	A *	5/1985	Osaka et al.	124/17
4,883,272	A *	11/1989	Lay	473/436
4,905,996	A *	3/1990	Tallent et al.	473/197
5,002,274	A *	3/1991	Bidema	473/417

D351,635	S *	10/1994	Sherman	D21/720
5,417,196	A *	5/1995	Morrison et al.	124/6
5,573,240	A *	11/1996	Humboldt	473/454
5,772,537	A *	6/1998	Anderson et al.	473/435
6,620,064	B2 *	9/2003	Nickerson	473/431
7,156,761	B2 *	1/2007	Mesa	473/451
7,278,934	B2 *	10/2007	McBride et al.	473/451

FOREIGN PATENT DOCUMENTS

EP	398826	A1 *	11/1990
FR	2605776	A1 *	4/1988
WO	8504815	A *	11/1985

* cited by examiner

Primary Examiner—Catherine Tuttle

(74) *Attorney, Agent, or Firm*—Dale J. Ream

(57) **CLAIM**

The ornamental design for a baseball catching and throwing system, as shown and described.

DESCRIPTION

FIG. 1 is a perspective view of a baseball catching and throwing system showing our new design;

FIG. 2 is a front view thereof;

FIG. 3 is a back view thereof;

FIG. 4 is a right side view thereof;

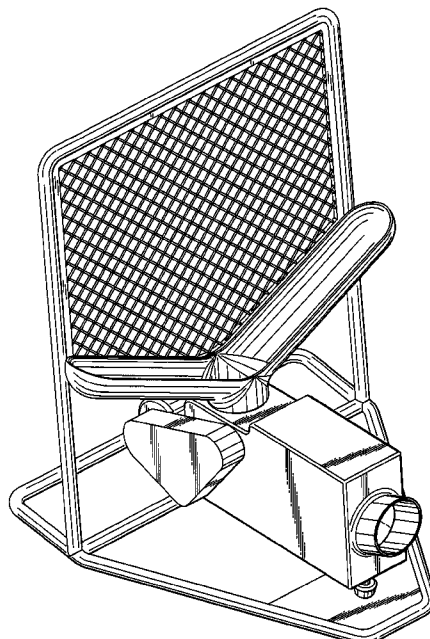
FIG. 5 is a left side view thereof;

FIG. 6 is a top view thereof; and,

FIG. 7 is a bottom view thereof.

The broken lines shown in FIGS. 1 and 2 are included for the purpose of illustrating portions of the baseball catching and throwing system that form no part of the claimed design.

1 Claim, 7 Drawing Sheets



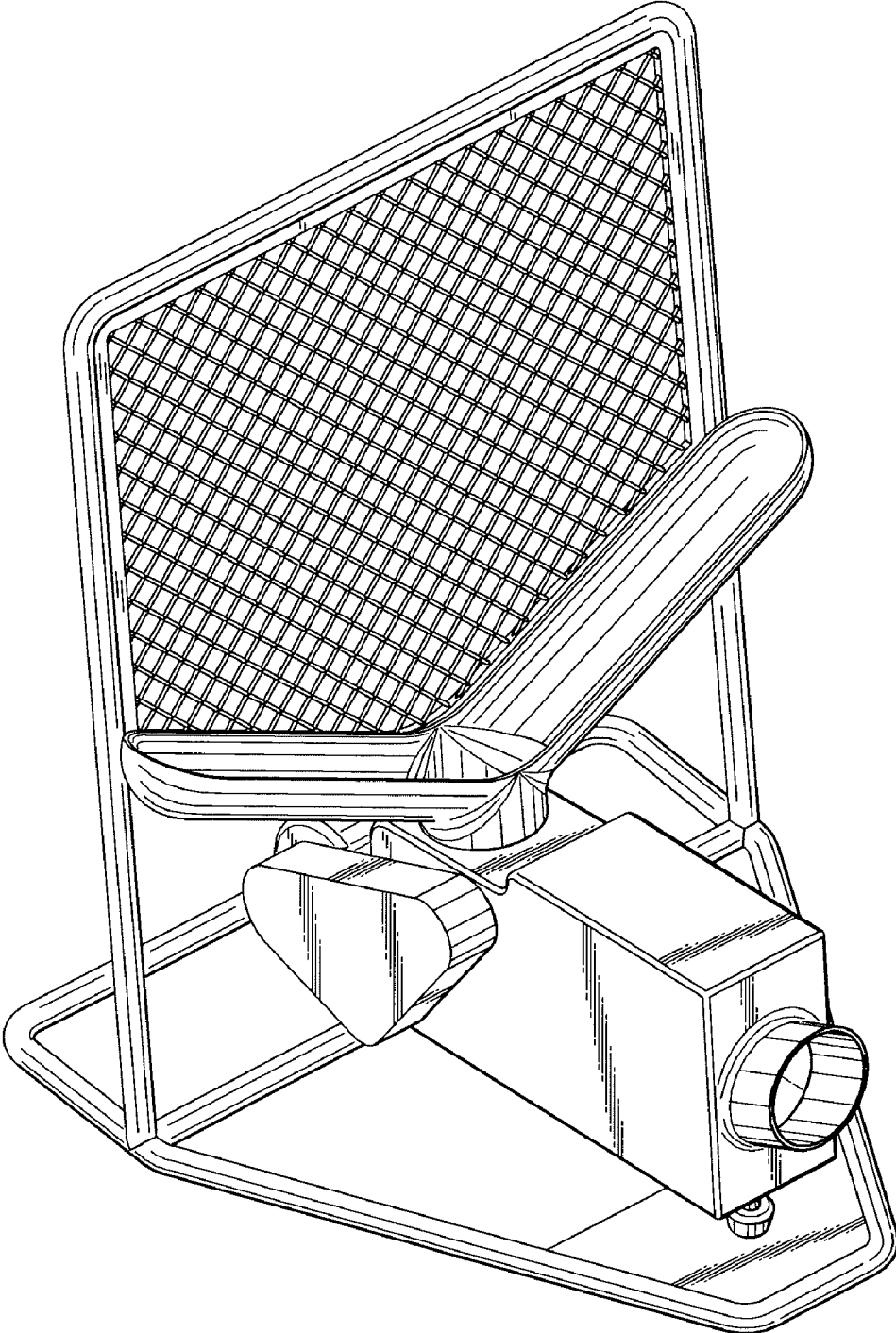


Fig. 1

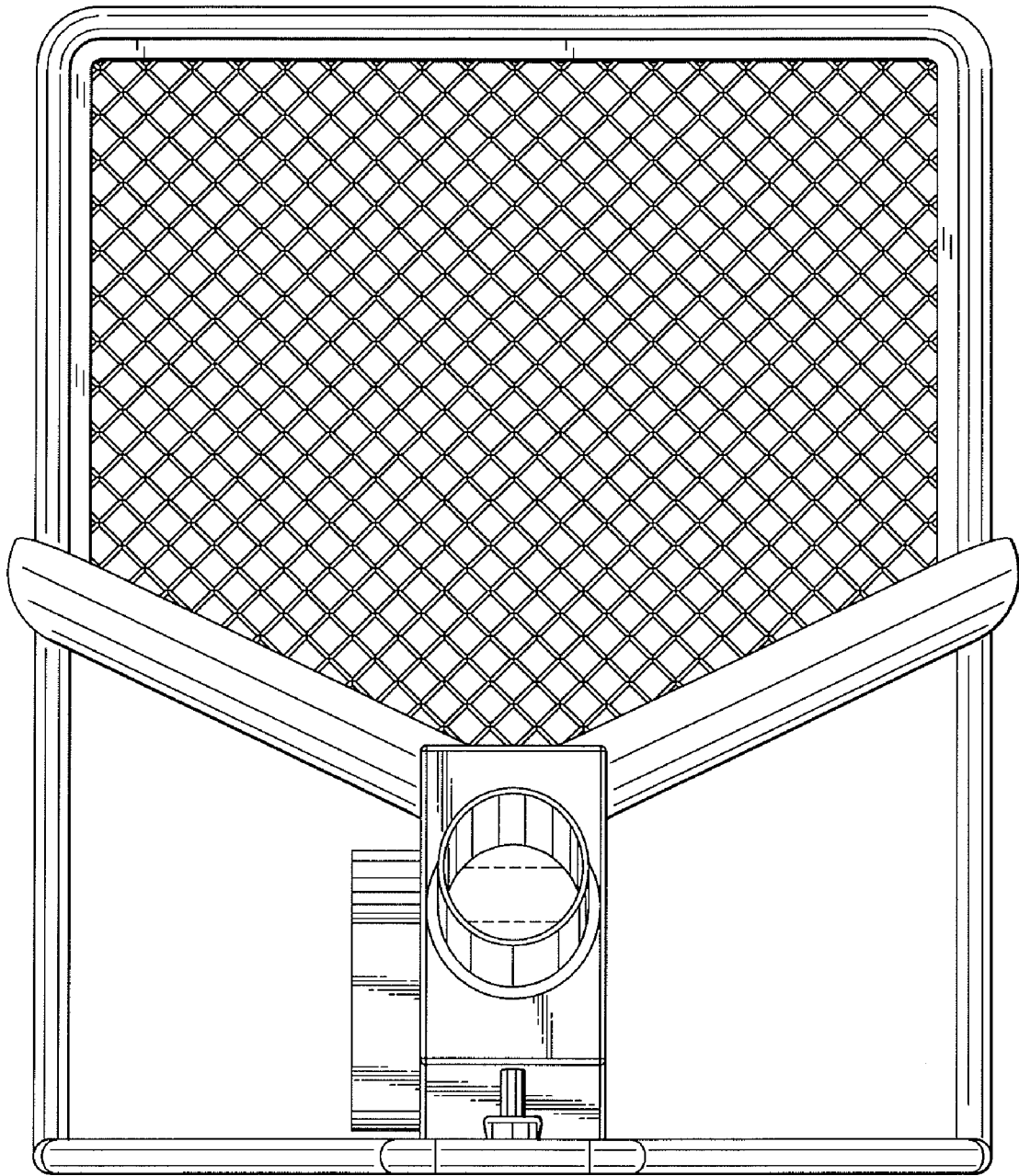


Fig. 2

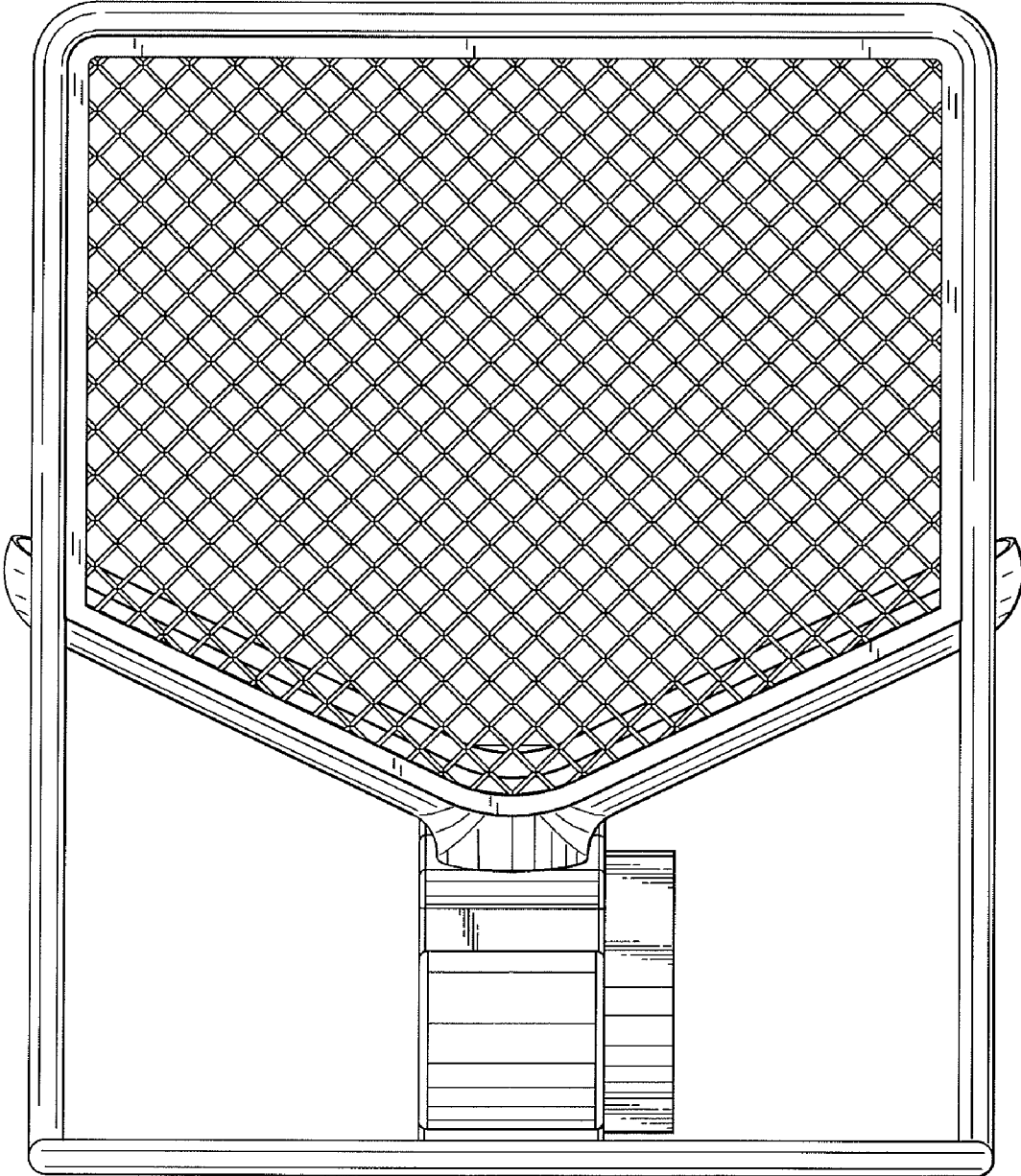


Fig. 3

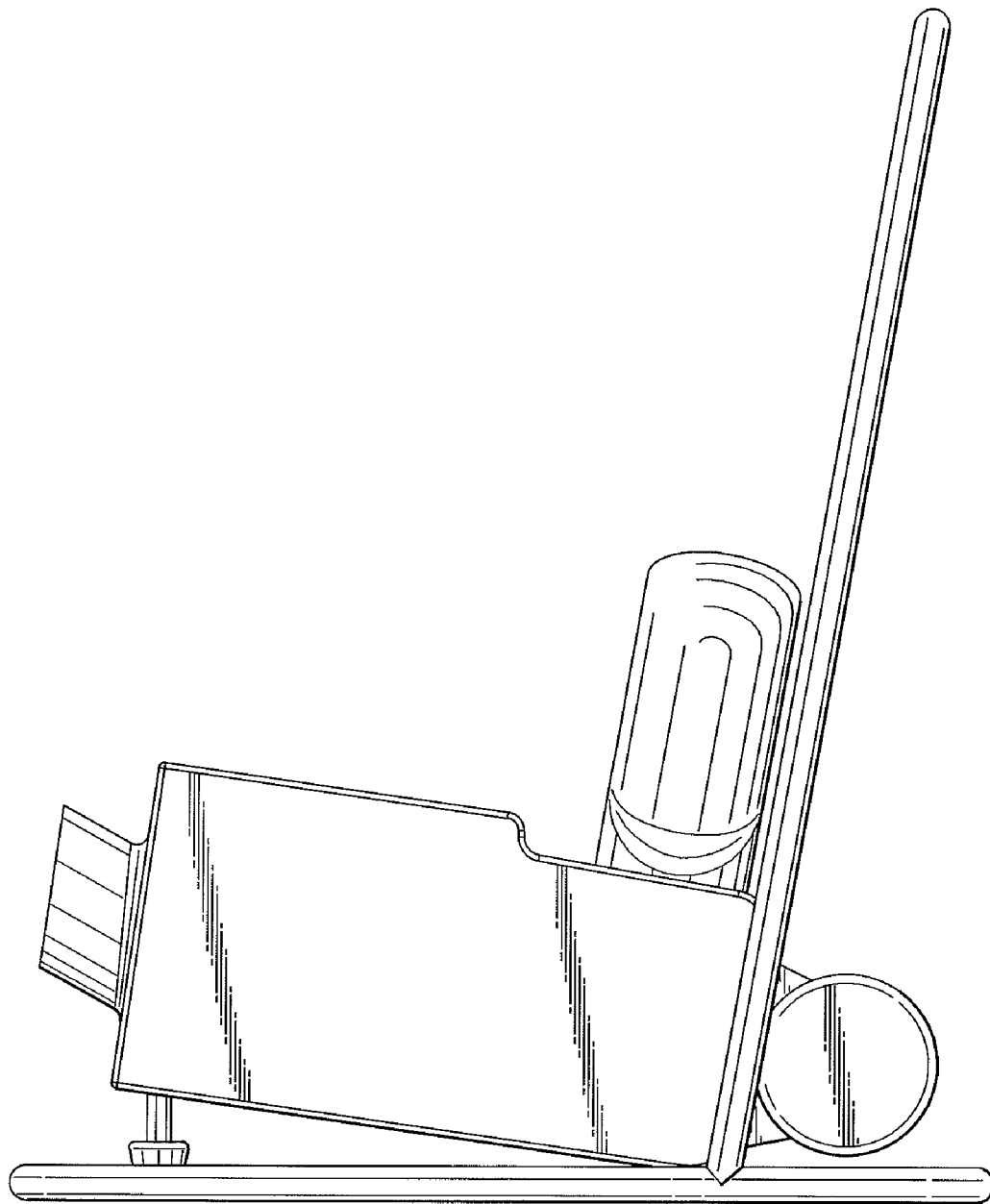


Fig. 4

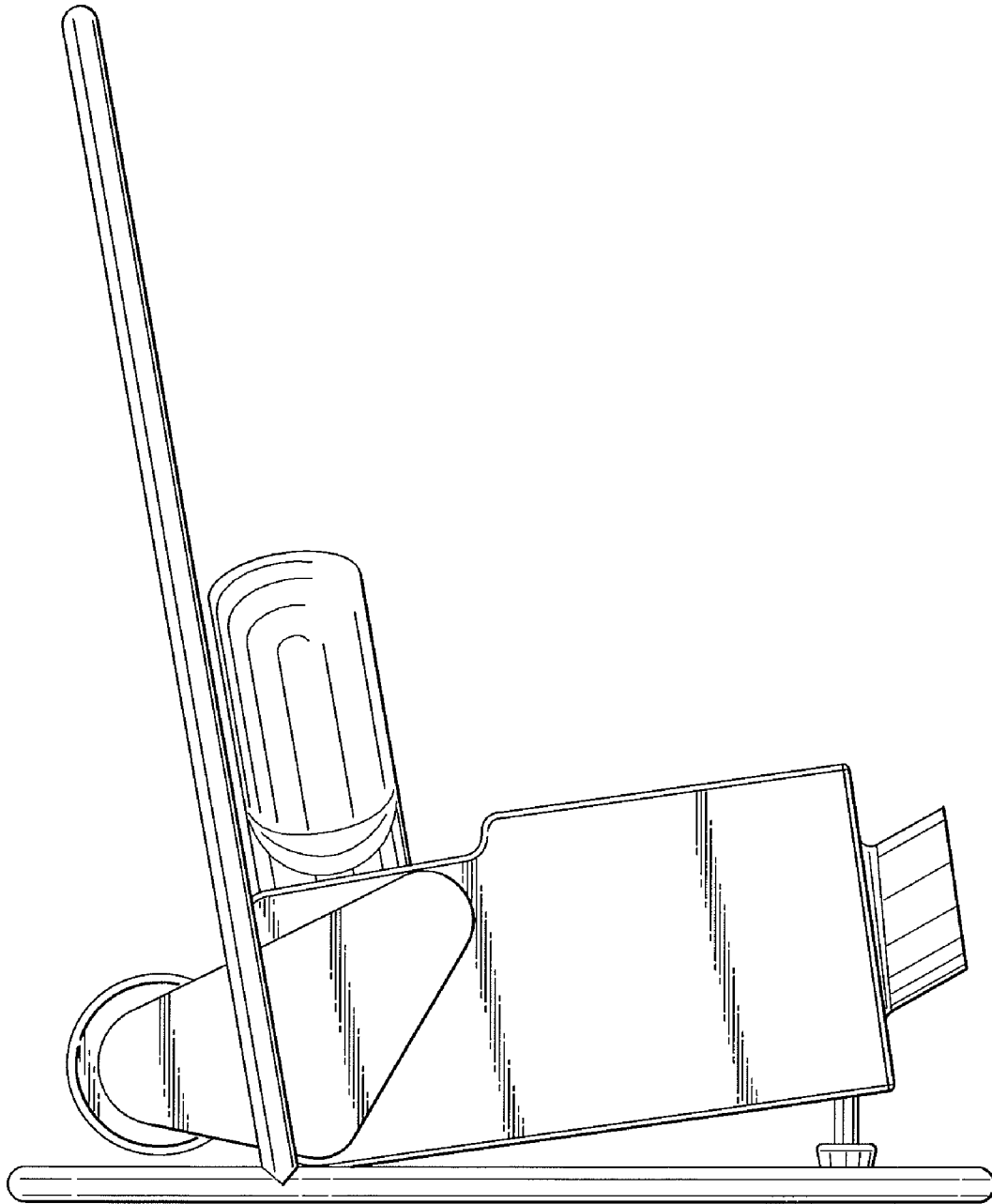


Fig. 5

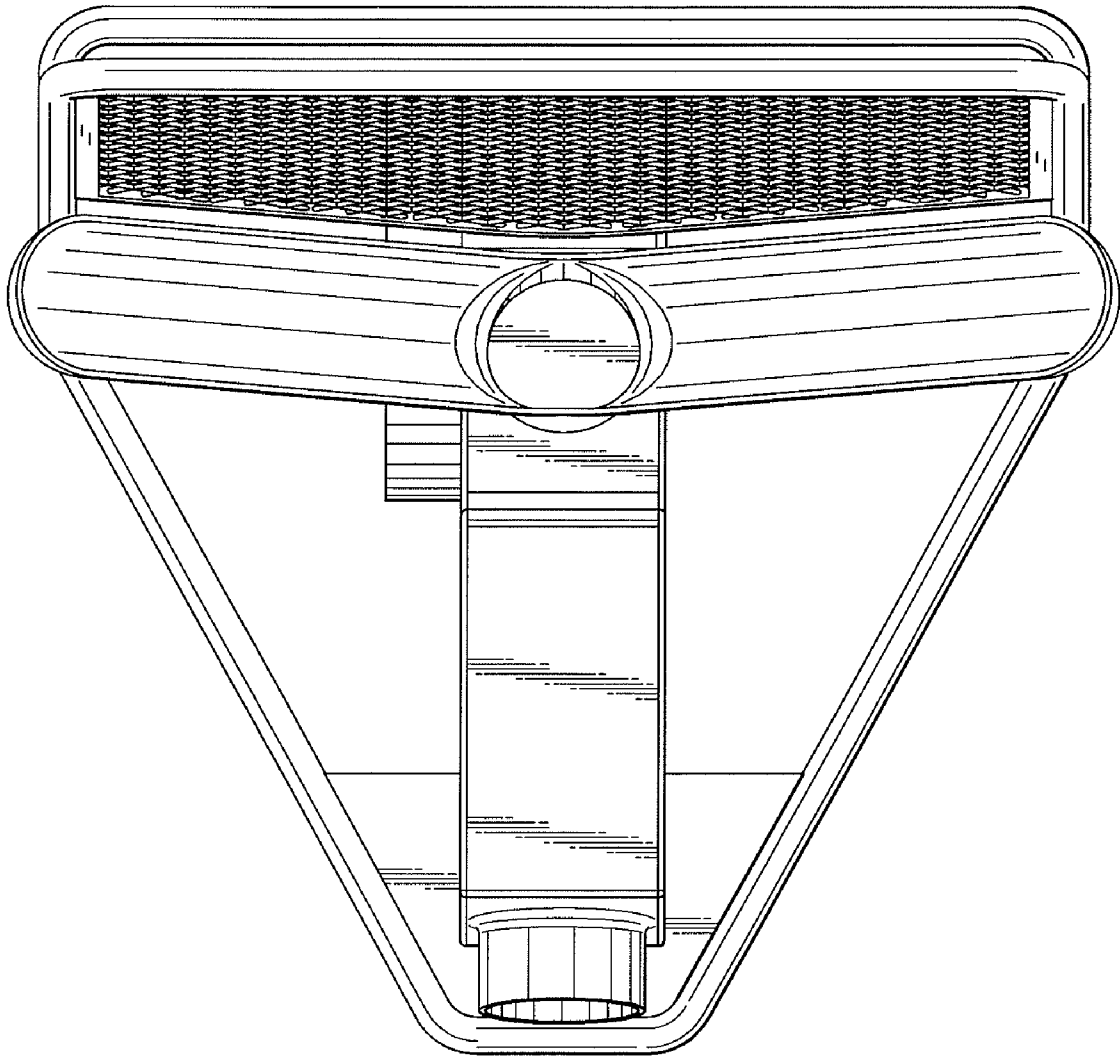


Fig. 6

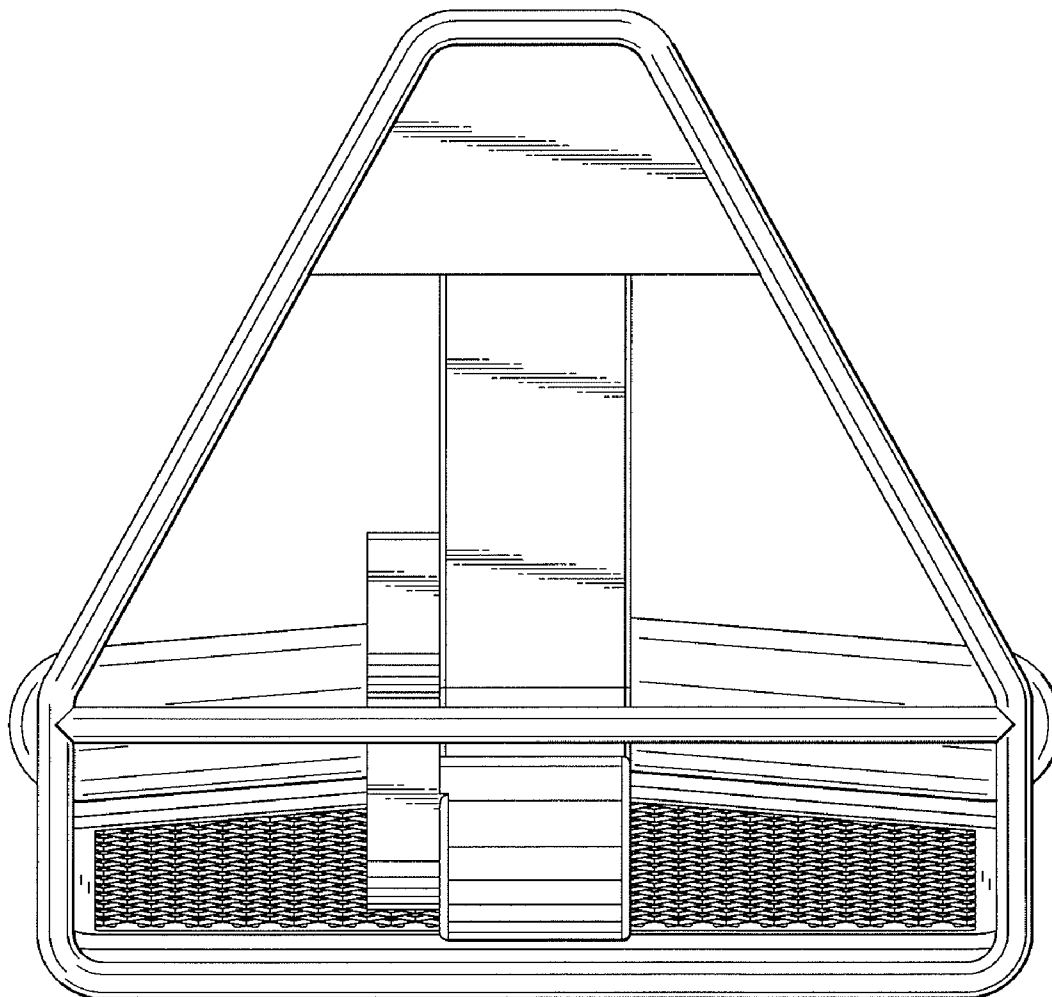


Fig. 7