



US00D835455S

(12) **United States Design Patent**  
**Sedgwick**

(10) **Patent No.:** **US D835,455 S**

(45) **Date of Patent:** **\*\* Dec. 11, 2018**

(54) **FOOD CONTAINER LID HAVING A PASSTHROUGH UTENSIL RECESS**

(71) Applicant: **Inno-Pak, LLC**, Delaware, OH (US)

(72) Inventor: **Nathan Sedgwick**, Aliso Viejo (CA)

(73) Assignee: **Inno-Pak LLC**, Delaware, OH (US)

(\*\*) Term: **15 Years**

(21) Appl. No.: **29/622,513**

(22) Filed: **Oct. 17, 2017**

(51) **LOC (11) Cl.** ..... **07-99**

(52) **U.S. Cl.**  
USPC ..... **D7/392.1; D7/392**

(58) **Field of Classification Search**

USPC ..... D9/414, 416, 424, 425, 426, 428, 430,  
D9/715, 721, 732, 756, 761; D7/392.1,  
D7/392, 601, 602, 701, 703, 707, 708

CPC ..... B65D 81/26; B65D 51/00; B65D 71/00;  
A47J 47/14

See application file for complete search history.

(56) **References Cited**

**U.S. PATENT DOCUMENTS**

1,369,999	A *	3/1921	Zoia	.....	A47J 47/14 206/516
2,301,510	A	11/1942	Bolen		
2,740,349	A	4/1956	De Gonia		
3,565,245	A	2/1971	Asher		
3,624,787	A	11/1971	Newman		
3,679,093	A	7/1972	Chang		
3,954,178	A *	5/1976	Mason, Jr.	.....	B65D 21/0222 206/508
3,955,742	A	5/1976	Marshall		
D242,108	S	11/1976	Dart		
4,270,660	A	6/1981	Putt		
4,300,700	A	11/1981	Chang		

D266,818	S *	11/1982	Trombly	.....	D7/392.1
D282,338	S	1/1986	Putt		
4,572,423	A	2/1986	Spencer		
4,603,825	A	8/1986	Kotliar		
4,896,820	A	1/1990	Harrington		
4,930,637	A	6/1990	DeRoseau		
5,005,704	A	4/1991	Martin		
D318,985	S	8/1991	Szablabk		
D323,616	S	2/1992	Mueller		
D350,046	S *	8/1994	Zimmerman	.....	D7/392
5,705,212	A	1/1998	Atkinson		
5,971,168	A	10/1999	Proulx		
6,003,710	A	12/1999	Huang		
D418,716	S	1/2000	Haley		
D419,371	S *	1/2000	Haley	.....	D7/392.1
6,273,278	B1	8/2001	Enyedy		
D448,288	S	9/2001	Zettle		
D452,155	S *	12/2001	Stodd	.....	D9/434
6,412,653	B1	7/2002	Waterhouse		
D465,382	S	11/2002	Wolf		

(Continued)

*Primary Examiner* — Karen S Acker

*Assistant Examiner* — Steven B Reinholdt, Jr.

(74) *Attorney, Agent, or Firm* — Ward and Smith, P.A.;  
Ryan K. Simmons

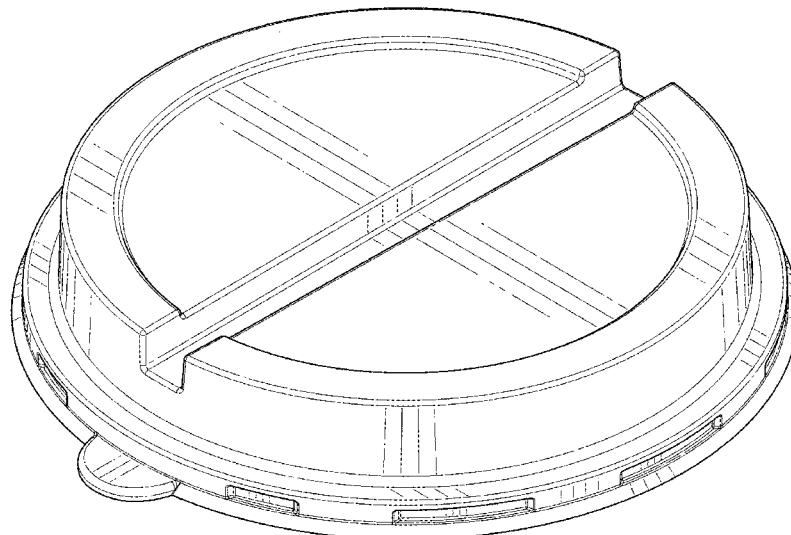
(57) **CLAIM**

The ornamental design for a food container lid having a passthrough utensil recess, as shown.

**DESCRIPTION**

FIG. 1 is a perspective view of a food container lid having a passthrough utensil recess showing my new design; FIG. 2 is a front elevation view thereof; FIG. 3 is a rear elevation view thereof; FIG. 4 is a right side elevation view thereof; FIG. 5 is a left side elevation view thereof; FIG. 6 is a top plan view thereof; and, FIG. 7 is a bottom plan view thereof.

**1 Claim, 5 Drawing Sheets**



(56)

References Cited

U.S. PATENT DOCUMENTS

6,604,645	B1	8/2003	Vaupotic		8,985,382	B2	3/2015	Vernon	
D480,264	S *	10/2003	de Groote .....	D7/392.1	D736,616	S	8/2015	Suen	
6,688,469	B1 *	2/2004	Barnes .....	B65D 77/245 206/217	D741,642	S	10/2015	Yessin	
D491,455	S *	6/2004	Li .....	D9/425	D748,498	S	2/2016	Pipes	
6,840,395	B2	1/2005	Agarwal		D752,978	S *	4/2016	Zabeleta .....	D9/454
D502,050	S *	2/2005	Munson .....	D7/392.1	D759,427	S	6/2016	Wiggins	
7,017,774	B2	3/2006	Haedt		D769,132	S	10/2016	Tilahun	
D531,054	S	10/2006	Sagel		D771,432	S	11/2016	Affatato	
D549,050	S *	8/2007	Spencer .....	D7/538	D772,002	S *	11/2016	Affatato .....	D7/354
D550,503	S	9/2007	Liu		D789,784	S	6/2017	Hendricks	
D551,496	S	9/2007	Ablo		D792,760	S	7/2017	Foster	
D563,166	S	3/2008	Woolfolk		D794,444	S *	8/2017	Chen .....	D9/428
D563,785	S *	3/2008	Maki .....	D9/454	D795,069	S *	8/2017	Haddad .....	D7/392.1
D564,287	S	3/2008	Bouveret		D795,070	S *	8/2017	Haddad .....	D7/392.1
D653,907	S	2/2012	Backaert		D796,908	S *	9/2017	Dennis .....	D7/553.2
D660,659	S	5/2012	Cohen		D801,176	S	10/2017	Lynd	
D687,705	S *	8/2013	Krupa .....	D9/425	D803,677	S *	11/2017	Yang .....	D9/428
D688,091	S	8/2013	Golota		D809,335	S	2/2018	Bouveret	
D694,062	S	11/2013	Andres		D814,922	S	4/2018	Magana	
D694,063	S	11/2013	Andres		2004/0035867	A1	2/2004	Schultz	
					2012/0031901	A1	2/2012	Dudson	
					2012/0138608	A1	6/2012	Rusnak	
					2014/0021206	A1	1/2014	Vernon	
					2014/0238982	A1	8/2014	Dabney-Wiggs	

\* cited by examiner

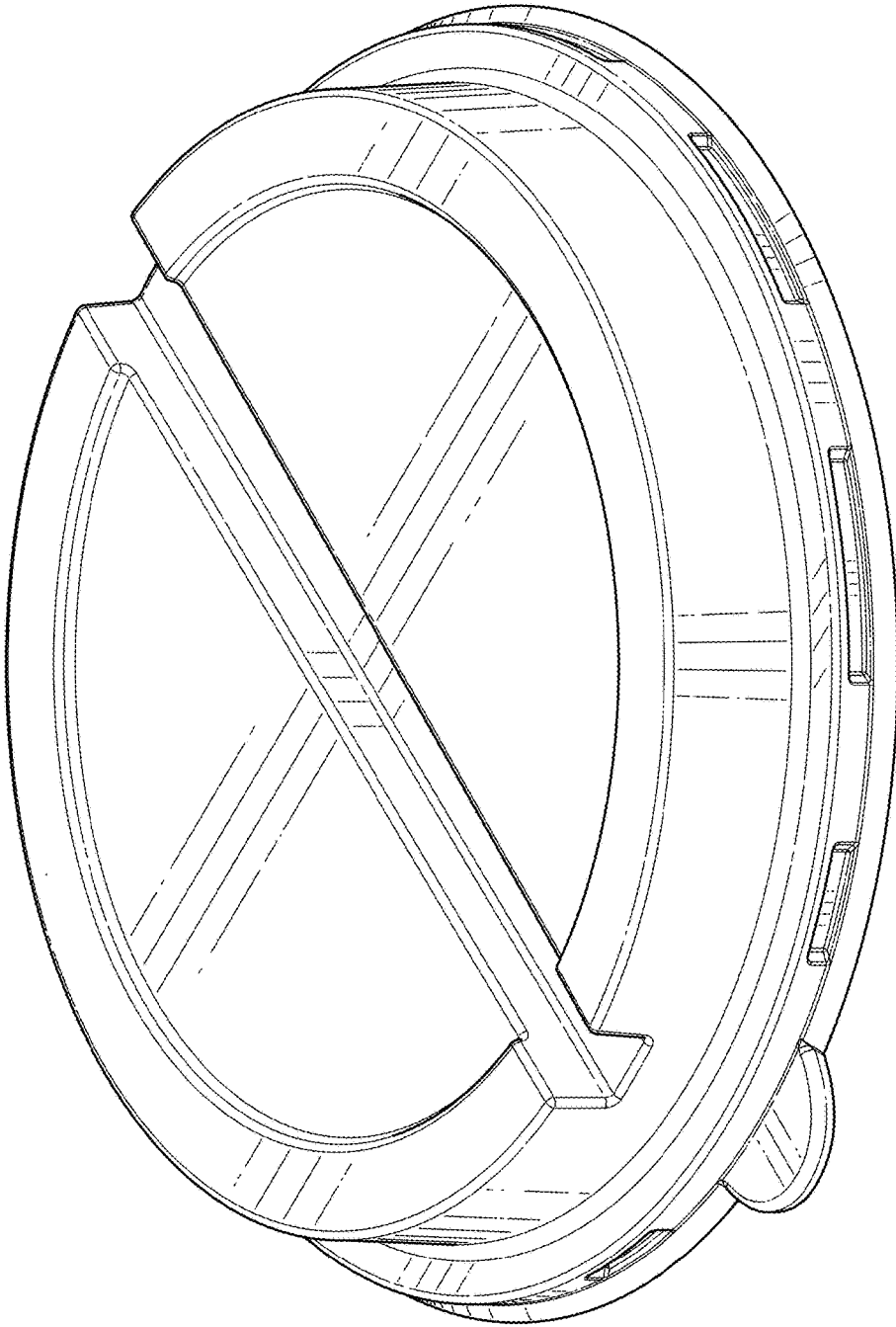


FIG. 1

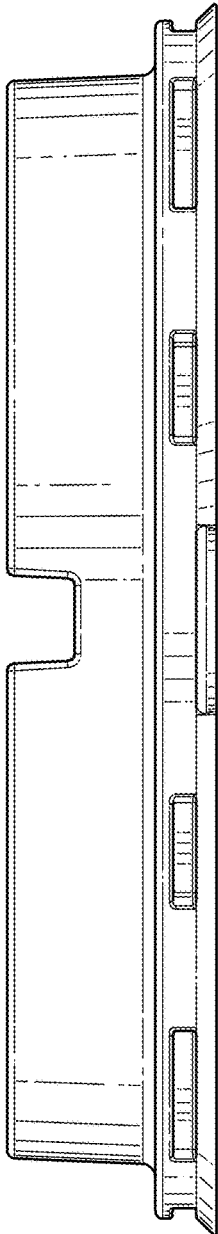


FIG. 2

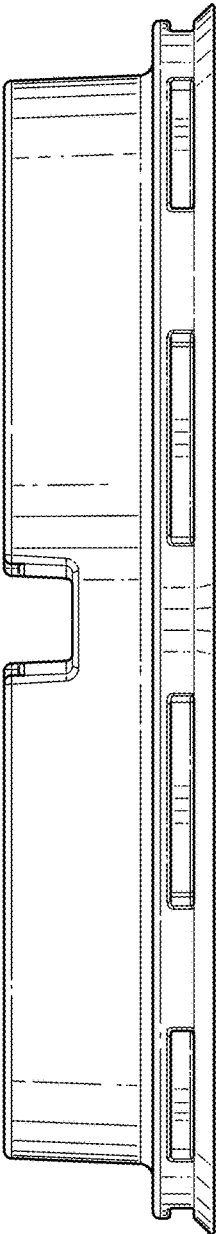


FIG. 3

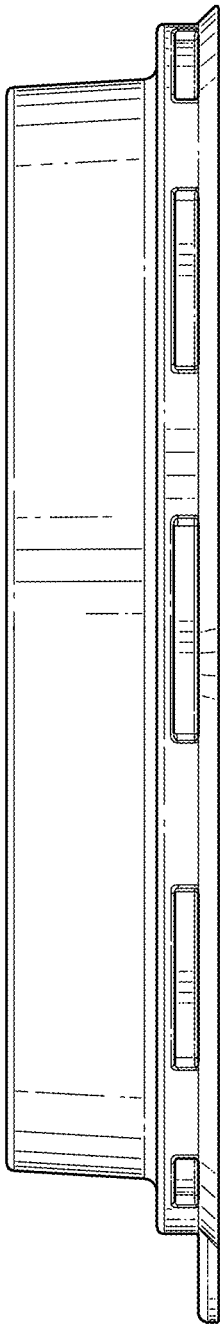


FIG. 4

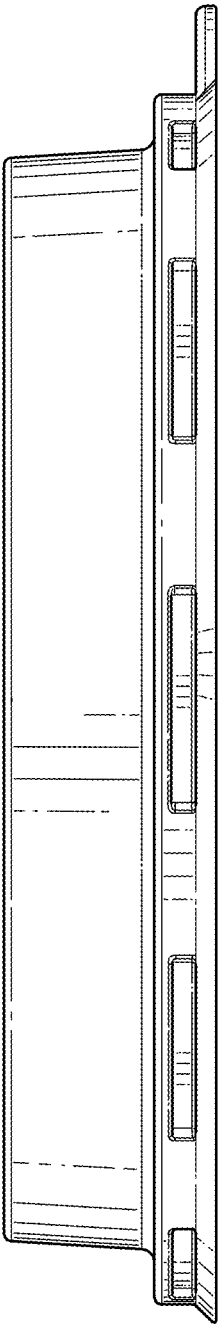


FIG. 5

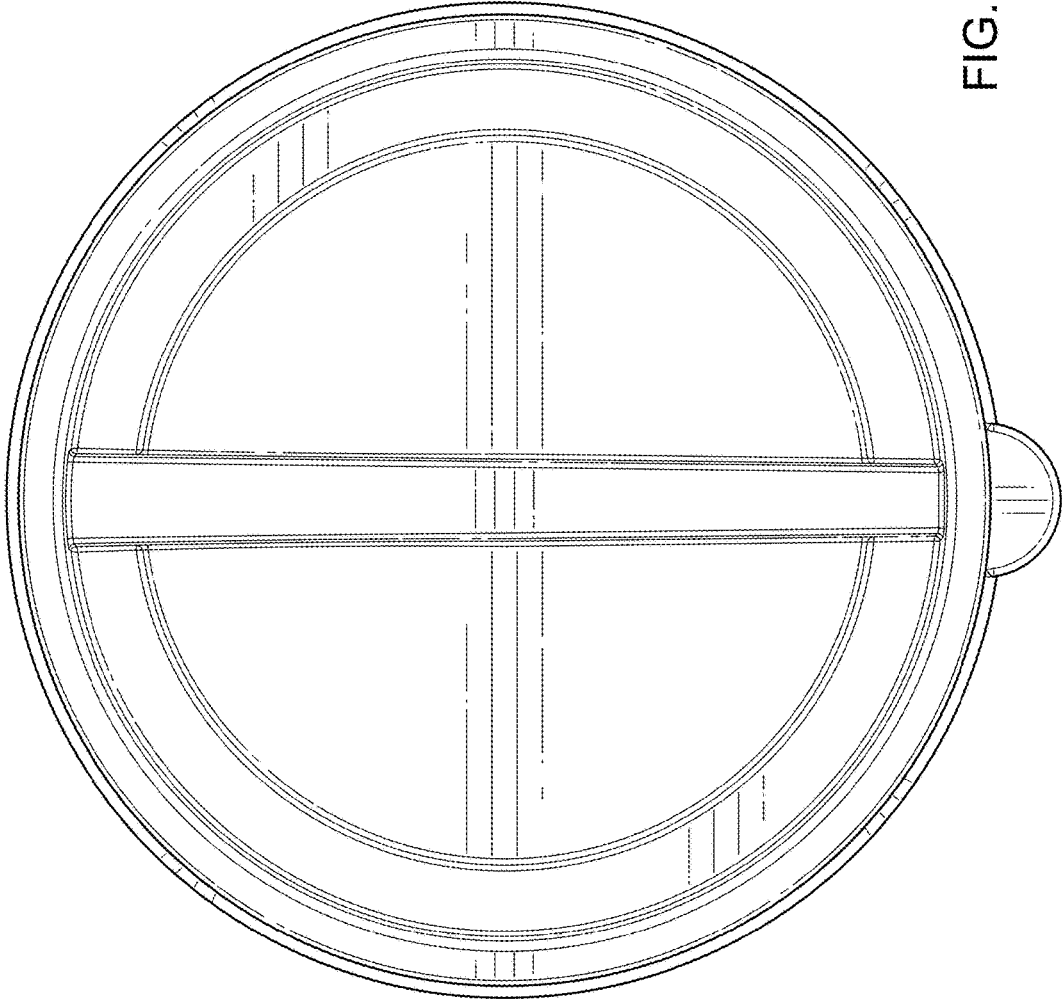


FIG. 6

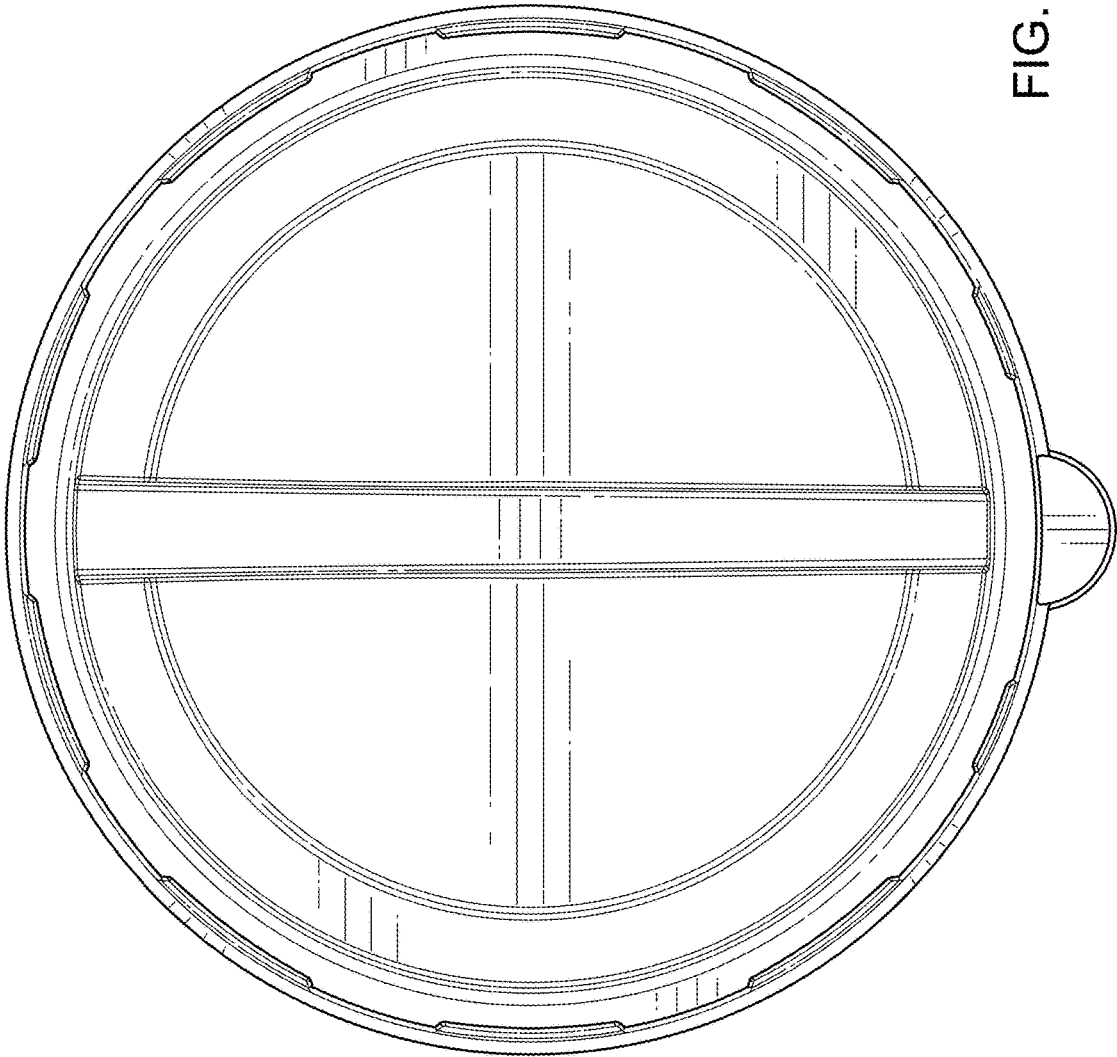


FIG. 7