



US00D862349S

(12) **United States Design Patent**
Woodhouse et al.

(10) **Patent No.:** **US D862,349 S**

(45) **Date of Patent:** **** Oct. 8, 2019**

(54) **VEHICLE WHEEL**

(71) Applicant: **Ford Global Technologies, LLC,**
Dearborn, MI (US)

(72) Inventors: **David Woodhouse,** Troy, MI (US);
Kemal Curic, Irvine, CA (US);
Benjamin Messmer, Ann Arbor, MI (US)

(73) Assignee: **Ford Global Technologies, LLC,**
Dearborn, MI (US)

(**) Term: **15 Years**

(21) Appl. No.: **29/641,741**

(22) Filed: **Mar. 23, 2018**

(51) **LOC (12) Cl.** **12-16**

(52) **U.S. Cl.**
USPC **D12/209**

(58) **Field of Classification Search**
USPC D12/204–213
CPC B60B 7/00; B60B 7/02; B60B 7/04; B60B
7/01; B60B 7/06; B60B 3/04; B60B 1/00;
B60B 3/10; B60B 1/10; B60B 1/08;
B60B 3/06; B60B 1/12; B60B 3/02
See application file for complete search history.

(56) **References Cited**

U.S. PATENT DOCUMENTS

D715,209 S * 10/2014 Tovey D12/209
D729,138 S * 5/2015 Davidson D12/209

D774,434 S * 12/2016 Nakahara D12/209
D780,083 S * 2/2017 Wheel D12/209
D782,953 S * 4/2017 Imazato D12/209
D805,989 S * 12/2017 Grewer D12/209
D818,925 S * 5/2018 Sugiyama D12/209
D819,535 S * 6/2018 Austin D12/209
D828,269 S * 9/2018 Kikuchi D12/209
D832,177 S * 10/2018 Grewer D12/209

* cited by examiner

Primary Examiner — Stacia A Cadmus

(74) *Attorney, Agent, or Firm* — LeClairRyan

(57) **CLAIM**

The ornamental design for a vehicle wheel, as shown and described.

DESCRIPTION

FIG. 1 is a front view of a vehicle wheel showing our new design; and,

FIG. 2 is a perspective view thereof.

Any broken lines represent an internal boundary of the design; the line itself and the area within form no part of the claim.

The lighter grey scale of FIG. 2 represents disclaimed areas of the design.

1 Claim, 2 Drawing Sheets

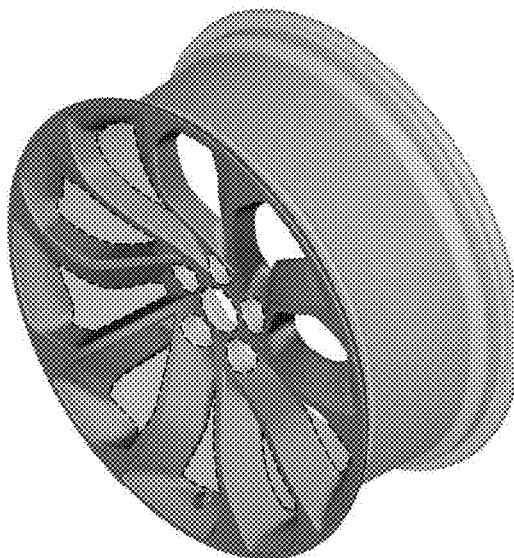
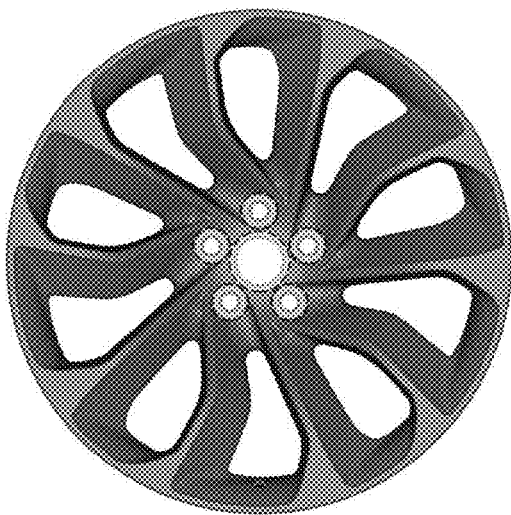


Fig. 1

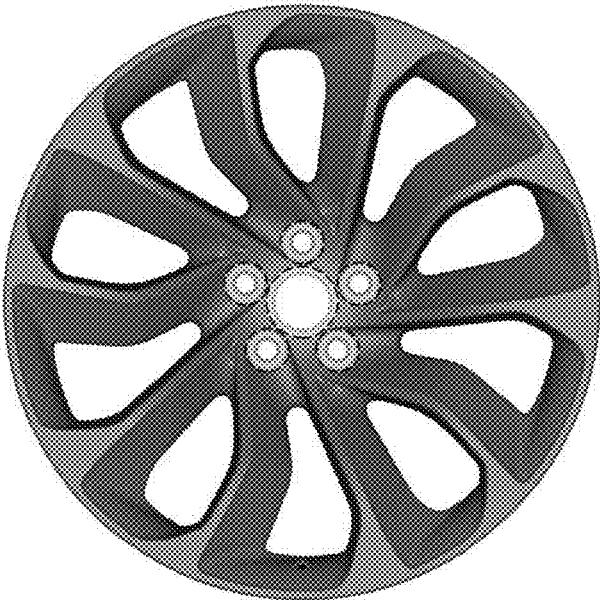


Fig. 2

