



US00D854597S

(12) **United States Design Patent**
Gao

(10) **Patent No.:** **US D854,597 S**

(45) **Date of Patent:** **** Jul. 23, 2019**

(54) **SPORTS CAMERA**

(71) Applicant: **Shenzhen Cencom Technology Co., Ltd.**, Shenzhen, Guangdong (CN)

(72) Inventor: **Jianmin Gao**, Guangdong (CN)

(73) Assignee: **Shenzhen Cencom Technology Co., Ltd.**, Shenzhen (CN)

(**) Term: **15 Years**

(21) Appl. No.: **29/636,539**

(22) Filed: **Feb. 8, 2018**

(30) **Foreign Application Priority Data**

Jan. 16, 2018 (CN) 2018 3 0019545

(51) **LOC (11) Cl.** **16-01**

(52) **U.S. Cl.**
USPC **D16/202**

(58) **Field of Classification Search**

USPC D16/200, 202-207, 208-210, 212, 218,
D16/219; 348/373-376; 396/448, 535,
396/539-541

CPC G03B 15/03; G03B 17/02; G03B 17/04;
G03B 17/56; G03B 19/04; H04N 5/2251;
H04N 5/2252; H04N 5/2253; H04N
5/2254; H04N 2101/00

See application file for complete search history.

(56) **References Cited**

U.S. PATENT DOCUMENTS

D753,749 S * 4/2016 Zhu D16/202
D755,874 S * 5/2016 Yang D16/202

D760,309 S * 6/2016 Parfitt D16/202
D766,351 S * 9/2016 Li D16/202
D772,966 S * 11/2016 Song D16/200
D775,254 S * 12/2016 Parfitt D16/202
D789,435 S * 6/2017 Nguyen D16/202
D791,848 S * 7/2017 Zhu D16/200
D794,696 S * 8/2017 Nguyen D16/218
D798,929 S * 10/2017 Zhou D16/200
D806,775 S * 1/2018 Nguyen D16/218
D816,753 S * 5/2018 Zhang D16/202
D825,636 S * 8/2018 Hueber D16/202
D829,799 S * 10/2018 Piekarski D16/202
D832,905 S * 11/2018 Liu D16/202
D836,696 S * 12/2018 Zhang D16/202

* cited by examiner

Primary Examiner — Ramzi S Almatrahi

(57) **CLAIM**

The ornamental design for a sports camera, as shown and described.

DESCRIPTION

FIG. 1 is a top, front and right side perspective view of a sports camera showing my new design;

FIG. 2 is a bottom, rear and left side perspective view thereof;

FIG. 3 is a front elevational view thereof;

FIG. 4 is a rear elevational view thereof;

FIG. 5 is a left side elevational view thereof;

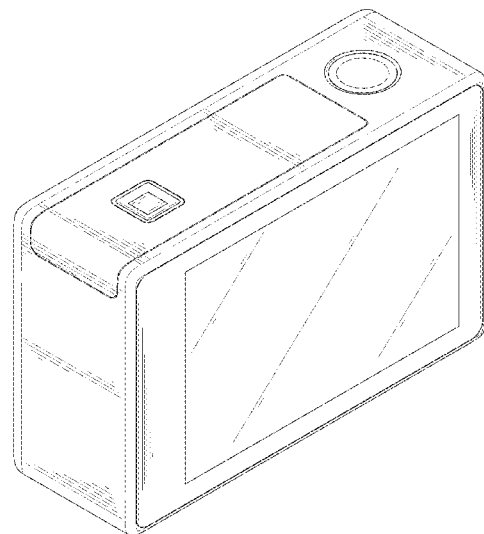
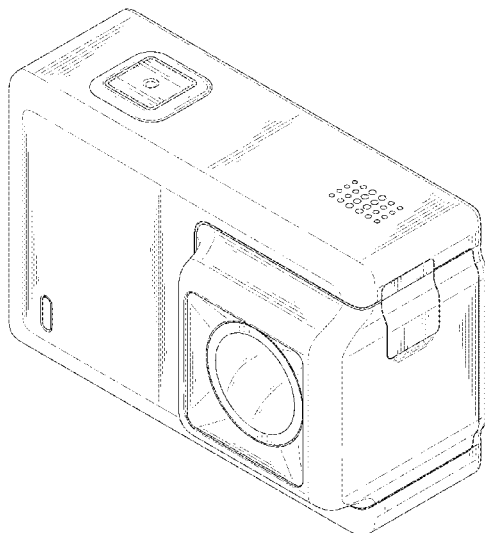
FIG. 6 is a right side elevational view thereof;

FIG. 7 is a top plan view thereof; and,

FIG. 8 is a bottom plan view thereof.

The broken lines in the drawings illustrate portions of the sports camera which form no part of the claimed design.

1 Claim, 8 Drawing Sheets



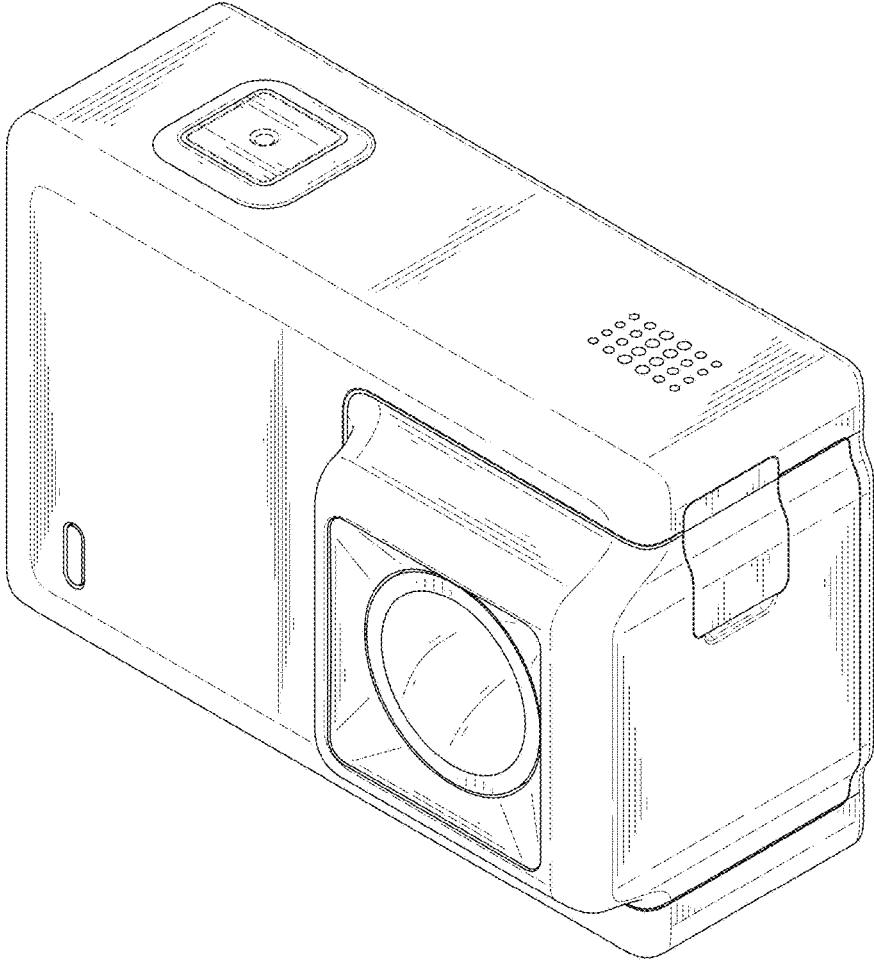


FIG. 1

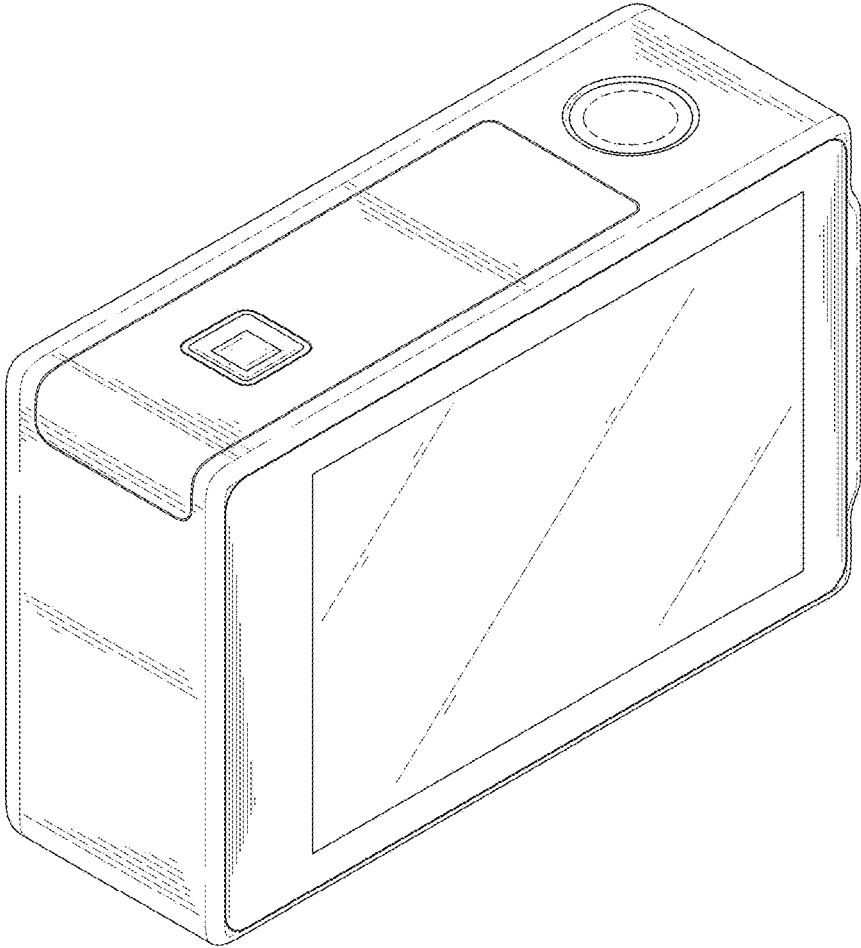


FIG. 2

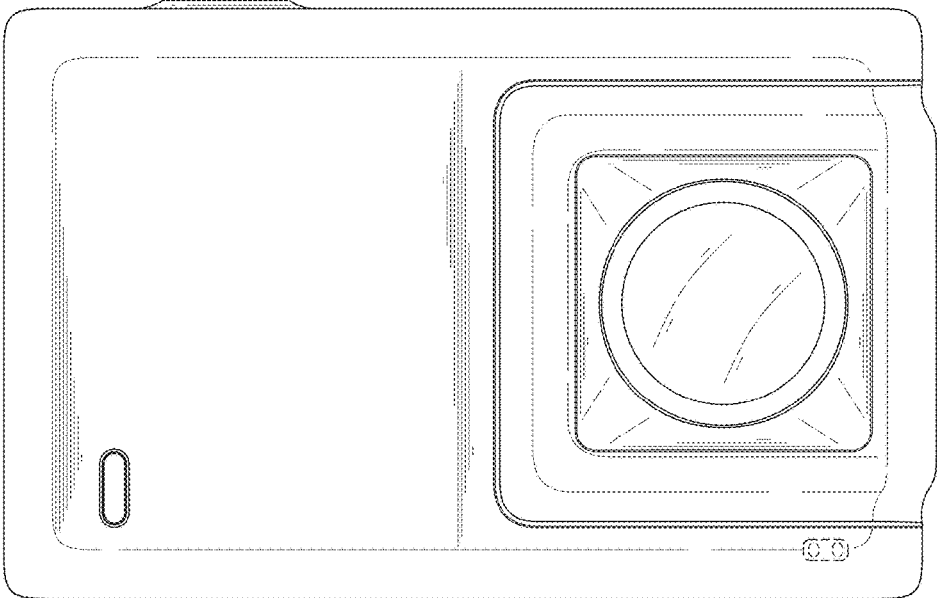


FIG. 3

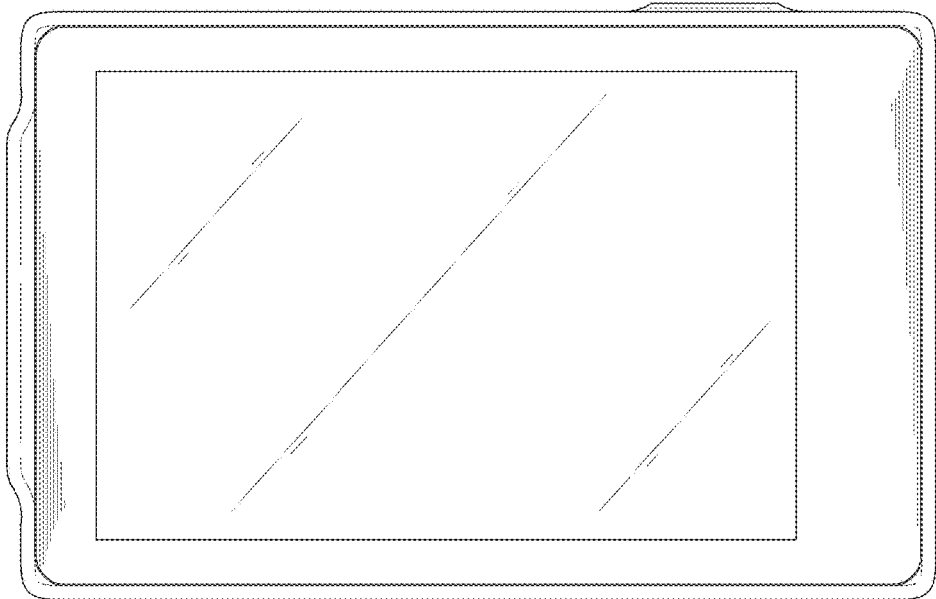


FIG. 4

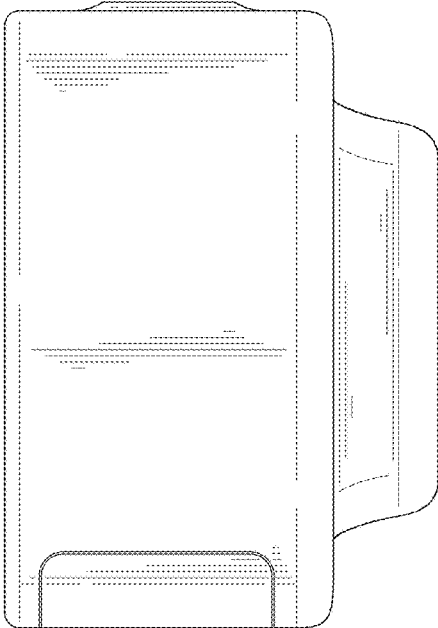


FIG. 5

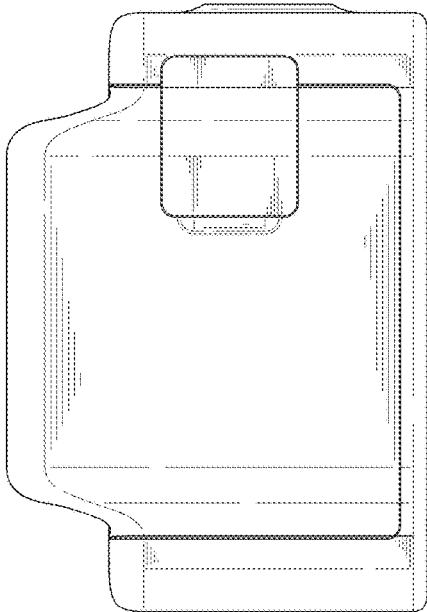


FIG. 6

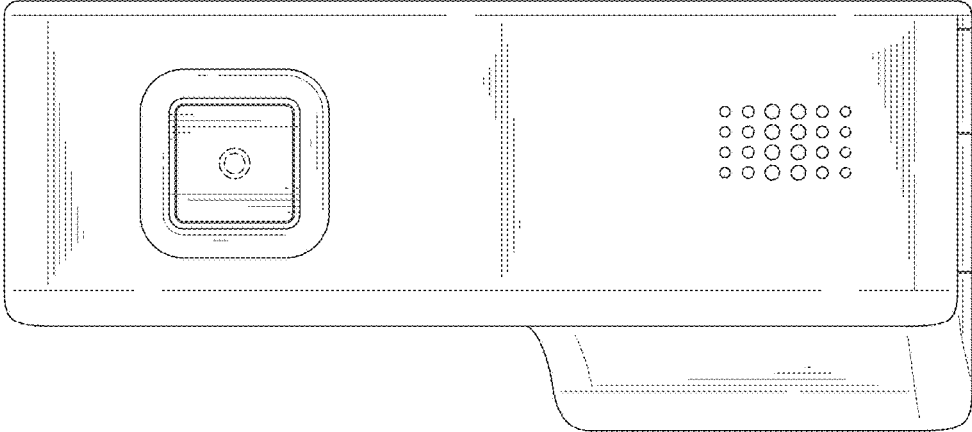


FIG. 7

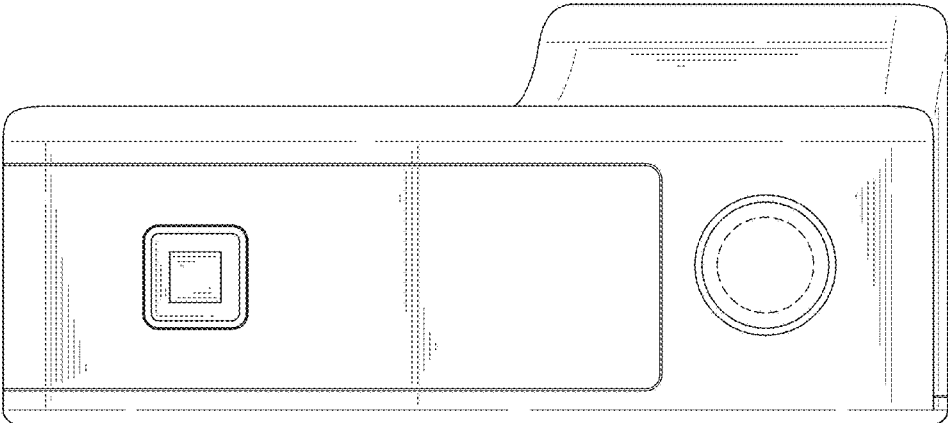


FIG. 8