

(12) **UK Patent Application** (19) **GB** (11) **2 417 746** (13) **A**

(43) Date of Printing by UK Office **08.03.2006**

(21) Application No: **0521088.5**
(22) Date of Filing: **03.05.2004**
(30) Priority Data:
(31) **03076311** (32) **05.05.2003** (33) **EP**
(86) International Application Data:
PCT/EP2004/050681 En 03.05.2004
(87) International Publication Data:
WO2004/099561 En 18.11.2004

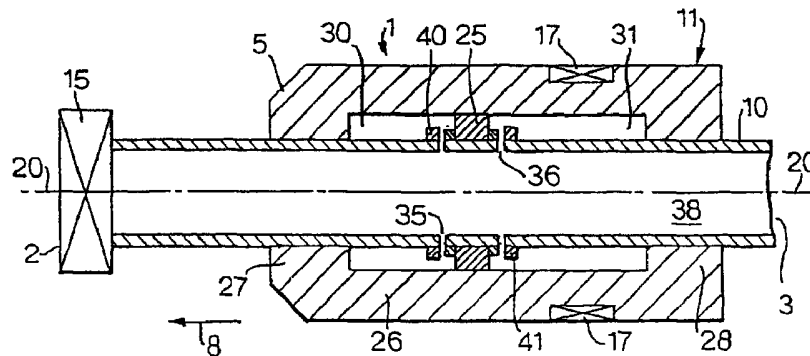
(51) INT CL:
E21B 43/10 (2006.01) **E21B 23/01** (2006.01)
(52) UK CL (Edition X):
E1F FLA
(56) Documents Cited by ISA:
WO 2002/086285 A **WO 2001/098623 A**
(58) Field of Search by ISA:
INT CL⁷ **E21B**
Other: **EPO-Internal**

(71) Applicant(s):
Shell Internationale Research Maatschappij B.V.
(Incorporated in the Netherlands)
Carel van Bylandtlaan 30, NL-2596 HR,
The Hague, Netherlands
(72) Inventor(s):
Andrei Gregory Filippov
Neil Philip Thomson

(continued on next page)

(54) Abstract Title: **Expansion device for expanding a pipe**

(57) A pipe expansion device comprising an expansion cone (5) tapering in forward direction (8), a cone-guide (10), an actuator (11) for displacing the expansion cone (5) and the elongated cone-guide (10) relative to each other, a retrievable end anchor (15), and a middle anchor (17) joined to the expansion cone (b).



GB 2417746 A continuation

(74) Agent and/or Address for Service:
Shell International Limited
PO Box 662, LONDON, SE1 7NE,
United Kingdom