



US00D746669S

(12) **United States Design Patent**
McBride

(10) **Patent No.:** **US D746,669 S**

(45) **Date of Patent:** **** Jan. 5, 2016**

(54) **SPLINE FOR A WALL PANEL SYSTEM**

(71) Applicant: **Vertical Dimensions, LLC**, Seattle, WA (US)

(72) Inventor: **Steven J. McBride**, Newcastle, WA (US)

(73) Assignee: **Vertical Dimensions, LLC**, Seattle, WA (US)

(**) Term: **14 Years**

(21) Appl. No.: **29/484,912**

(22) Filed: **Mar. 13, 2014**

Related U.S. Application Data

(63) Continuation of application No. 13/902,721, filed on May 24, 2013, now abandoned, which is a continuation of application No. 12/782,559, filed on May 18, 2010, now Pat. No. 8,468,767.

(51) **LOC (10) Cl.** **08-08**

(52) **U.S. Cl.**

USPC **D8/382**; D25/121

(58) **Field of Classification Search**

USPC D8/382, 384; D25/121

CPC E04B 1/18; E04B 2001/1936; E04F

13/0864; E04F 17/005; E04F 2201/0517

See application file for complete search history.

(56) **References Cited**

U.S. PATENT DOCUMENTS

652,051 A	6/1900	Streifler	
4,094,113 A	6/1978	Good	
4,394,809 A	7/1983	Sherwood	
4,516,373 A	5/1985	Osawa	
4,646,501 A *	3/1987	Champagne et al.	52/520
5,251,996 A	10/1993	Hiller	
6,098,364 A	8/2000	Liu	
6,170,214 B1	1/2001	Treister	
6,430,883 B1	8/2002	Paz	

6,745,538 B1	6/2004	Marinoni	
6,990,780 B2	1/2006	Marinoni	
7,043,884 B2	5/2006	Moreno	
7,089,708 B1	8/2006	Bostock	
D554,486 S *	11/2007	Emblin	D8/382
D556,560 S *	12/2007	Tsuda	D8/382
7,743,575 B2	6/2010	Ito	
8,051,623 B2	11/2011	Loyd	
2003/0019174 A1	1/2003	Bolduc	
2006/0254171 A1	11/2006	Bostock	
2009/0241451 A1 *	10/2009	Griffiths	52/309.4

FOREIGN PATENT DOCUMENTS

WO WO 9824992 A1 * 6/1998

* cited by examiner

Primary Examiner — Doris Clark

(74) *Attorney, Agent, or Firm* — Christensen O'Connor Johnson Kindness PLLC

(57) **CLAIM**

The ornamental design for a spline for a wall panel system, as shown and described.

DESCRIPTION

FIG. 1 is a broken top perspective view of a spline for a wall panel system according to our new design;

FIG. 2 broken bottom perspective view of the spline for a wall panel system of FIG. 1;

FIG. 3 is a front elevational view of the spline for a wall panel system of FIG. 1;

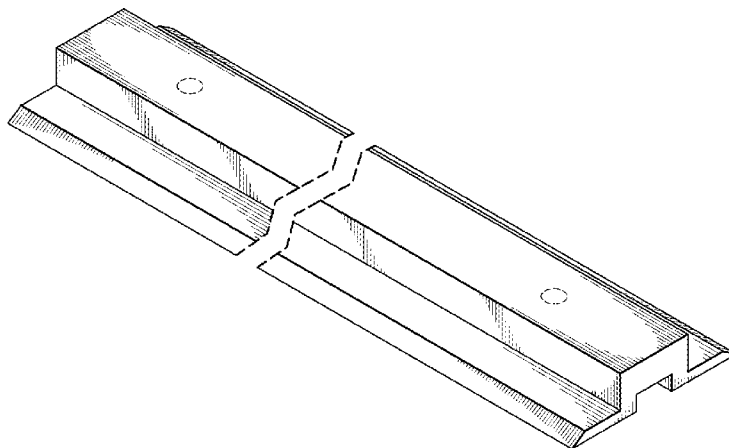
FIG. 4 is a broken top plan view of the spline for a wall panel system of FIG. 1;

FIG. 5 is a broken bottom plan view of the spline for a wall panel system of FIG. 1; and,

FIG. 6 is a broken side elevational view of the spline for a wall panel system of FIG. 1.

The broken lines are for illustrative purposes only and form no part of the claimed design.

1 Claim, 2 Drawing Sheets



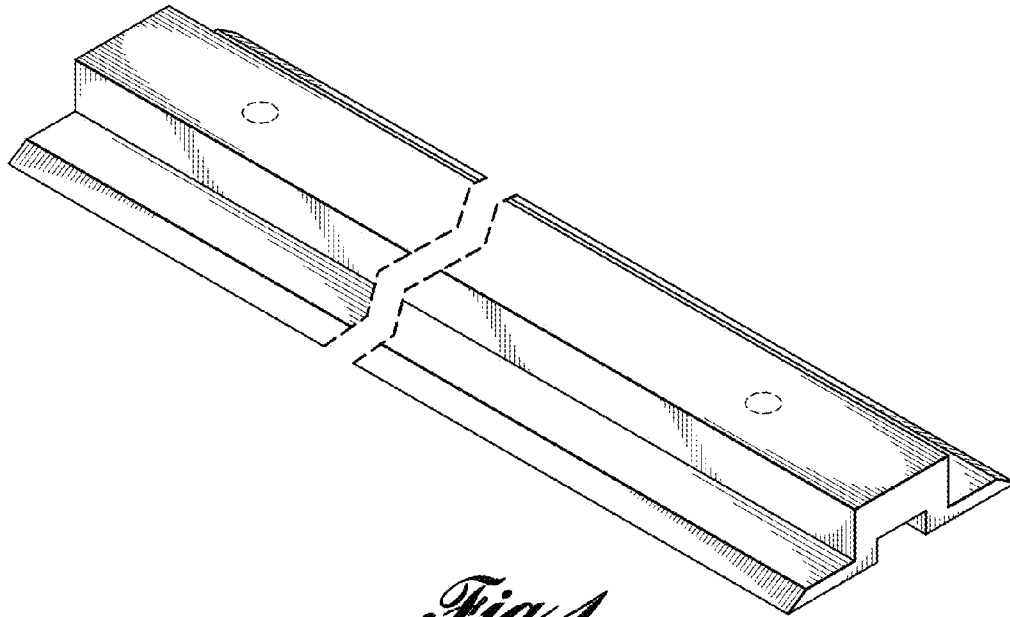


Fig. 1.

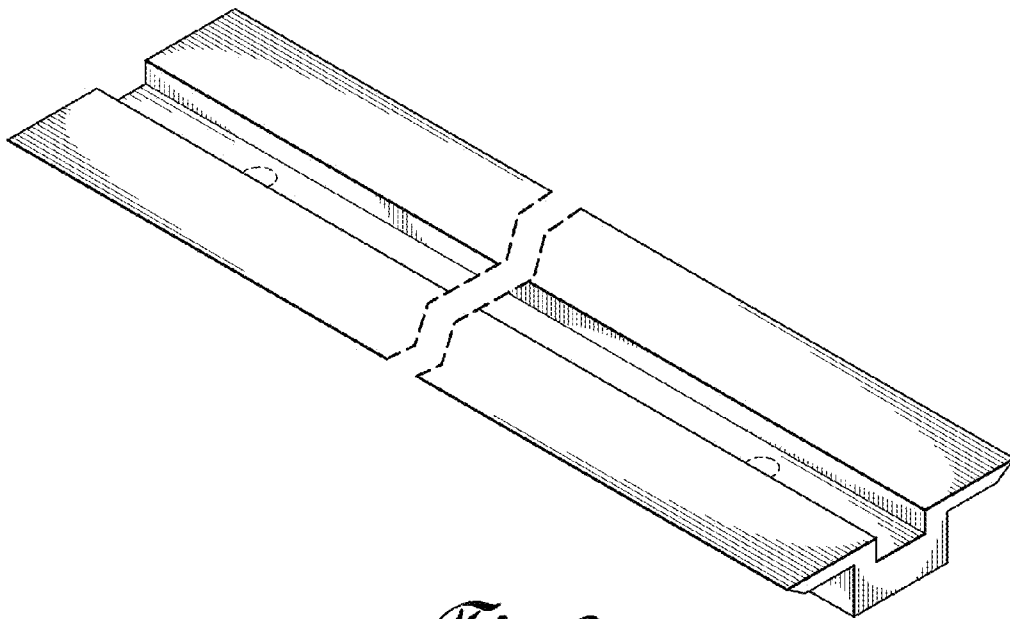


Fig. 2.



Fig. 3.

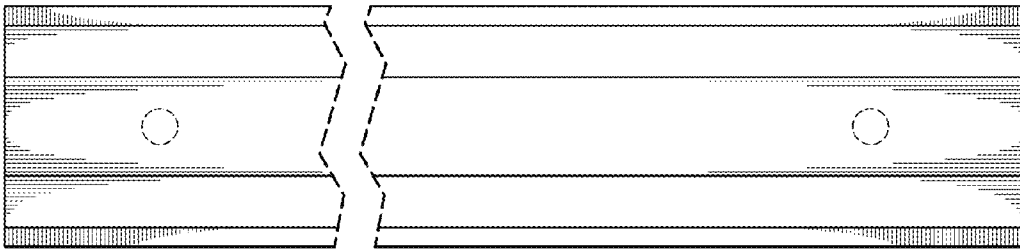


Fig. 4.

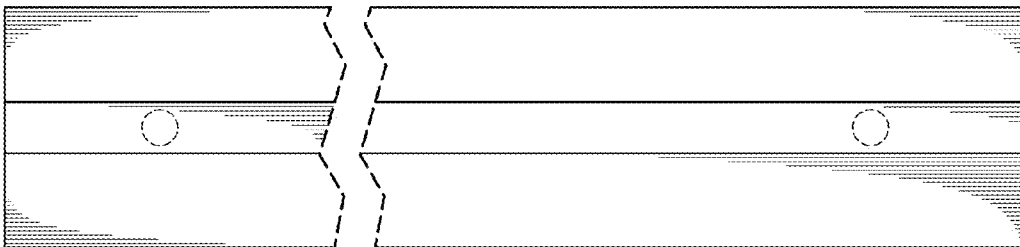


Fig. 5.

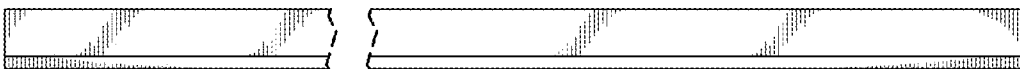


Fig. 6.