



US00D731346S

(12) **United States Design Patent**
Akana et al.

(10) **Patent No.:** **US D731,346 S**
(45) **Date of Patent:** **** Jun. 9, 2015**

(54) **BAND**

- (71) Applicant: **Apple Inc.**, Cupertino, CA (US)
- (72) Inventors: **Jody Akana**, San Francisco, CA (US); **Bartley K. Andre**, Palo Alto, CA (US); **Shota Aoyagi**, San Francisco, CA (US); **Anthony Michael Ashcroft**, San Francisco, CA (US); **Jeremy Bataillou**, San Francisco, CA (US); **Daniel J. Coster**, San Francisco, CA (US); **Daniele De Iuliis**, San Francisco, CA (US); **M. Evans Hankey**, San Francisco, CA (US); **Julian Hoenig**, San Francisco, CA (US); **Richard P. Howarth**, San Francisco, CA (US); **Jonathan P. Ive**, San Francisco, CA (US); **Duncan Robert Kerr**, San Francisco, CA (US); **Marc A. Newson**, London (GB); **Matthew Dean Rohrbach**, San Francisco, CA (US); **Peter Russell-Clarke**, San Francisco, CA (US); **Benjamin Andrew Shaffer**, San Jose, CA (US); **Mikael Silvano**, San Francisco, CA (US); **Christopher J. Stringer**, Woodside, CA (US); **Eugene Antony Whang**, San Francisco, CA (US); **Rico Zörkendörfer**, San Francisco, CA (US)

(73) Assignee: **Apple Inc.**, Cupertino, CA (US)

(**) Term: **14 Years**

(21) Appl. No.: **29/498,996**

(22) Filed: **Aug. 11, 2014**

(51) **LOC (10) Cl.** **11-01**

(52) **U.S. Cl.**
USPC **D11/3**

(58) **Field of Classification Search**
USPC D11/1-25, 86, 94; D10/30-39, 70, 46;
24/456, 574.1, 587.11, 587.12, 578.15;
600/301; 224/164, 175; 368/276, 281,
368/282, 285

See application file for complete search history.

(56) **References Cited**

U.S. PATENT DOCUMENTS

1,738,407 A 12/1929 Tost
1,764,440 A 6/1930 Gammell et al.

(Continued)

FOREIGN PATENT DOCUMENTS

CN 2613171 Y 4/2004
DE 10311560 A1 9/2004

(Continued)

OTHER PUBLICATIONS

[Online] <http://cnet4.cbsistatic.com/hub/i/r/2014/09/09/1d101da2-7abd-40aa-b0c9-94e4f9b27b95/thumbnail/770x433/c2705e97ac76cc74f2c19abc83929de9/apple-event-apple-watch-5446.jpg>. Retrieved Feb. 17, 2015.*

(Continued)

Primary Examiner — Cathron Brooks

Assistant Examiner — Melanie Pellegrini

(74) *Attorney, Agent, or Firm* — Sterne, Kessler, Goldstein & Fox P.L.L.C.

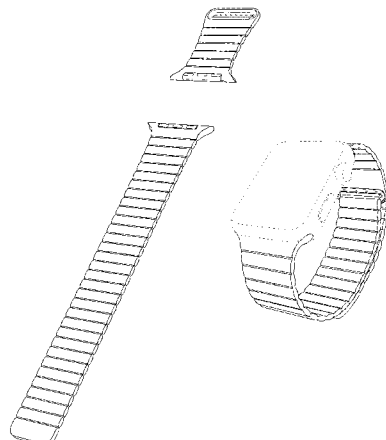
(57) **CLAIM**

The ornamental design for a band, as shown and described.

DESCRIPTION

FIG. 1 is a bottom front perspective view of a band showing our new design;
FIG. 2 is a bottom rear perspective view thereof;
FIG. 3 is a front view thereof;
FIG. 4 is a rear view thereof;
FIG. 5 is a right side view thereof;
FIG. 6 is a left side view thereof;
FIG. 7 is a top view thereof;
FIG. 8 is a bottom view thereof; and,
FIG. 9 is a perspective view thereof showing the band in an environment in which it may be used.
The broken lines in the FIG. 9 show environment that forms no part of the claimed design.

1 Claim, 6 Drawing Sheets



(56)

References Cited

U.S. PATENT DOCUMENTS

1,786,943 A 12/1930 Gammell
 D152,491 S 1/1949 Ostier
 3,030,686 A 4/1962 Burkhardt
 3,372,500 A 3/1968 Claude
 3,665,565 A 5/1972 Kruger
 3,675,284 A 7/1972 Rieth
 3,803,834 A 4/1974 Reese
 D249,244 S * 9/1978 Salter D10/32
 D250,634 S * 12/1978 Porsche D10/32
 D256,568 S * 8/1980 Young D11/25
 4,266,400 A 5/1981 Tabata
 D269,254 S 6/1983 Kishimoto
 D287,705 S 1/1987 Malamoud
 D299,718 S 2/1989 Steer et al.
 D305,422 S 1/1990 Steer et al.
 D331,020 S 11/1992 Ishii et al.
 D333,626 S 3/1993 Chang
 D349,864 S 8/1994 Dunlap et al.
 5,363,351 A 11/1994 Carney
 D355,375 S 2/1995 Bandy, II
 D365,286 S * 12/1995 Florian D10/32
 D408,301 S * 4/1999 Porsche et al. D10/32
 D455,093 S 4/2002 Fitzgerald
 D473,818 S 4/2003 Salvisberg
 D488,392 S * 4/2004 Tschumi D10/32
 D494,098 S 8/2004 Cohen
 6,782,690 B2 8/2004 Kwan
 7,013,631 B2 3/2006 Carrola
 D528,439 S 9/2006 Burton
 D528,928 S 9/2006 Burton
 D536,265 S 2/2007 Reynoso
 D538,687 S 3/2007 Komulainen
 D549,602 S 8/2007 Oberrieder et al.
 D550,105 S 9/2007 Oberrieder et al.
 D560,520 S 1/2008 Oberrieder et al.
 D569,282 S 5/2008 Daniel
 D573,905 S 7/2008 Poirier
 D581,811 S * 12/2008 Messmer et al. D10/32
 D588,472 S * 3/2009 Messmer et al. D10/32

D610,476 S 2/2010 Daniel
 D631,761 S * 2/2011 Barbier D10/32
 D645,360 S 9/2011 Kiser et al.
 D670,583 S 11/2012 Shaanan
 D672,667 S 12/2012 Mix
 8,601,784 B2 12/2013 Kaltenrieder
 D704,077 S * 5/2014 Monachon D10/32
 2005/0210857 A1 * 9/2005 Carrola 59/80
 2014/0096345 A1 4/2014 Tschumi
 2014/0098649 A1 4/2014 Tschumi

FOREIGN PATENT DOCUMENTS

EP 2636328 A1 9/2013
 FR 906187-001 2/1991
 GB 618917 A 3/1949
 GB 2047514 A 12/1980
 GB 2082277 5/1984
 GB 2033807 3/1994
 WO D024020-001 11/1992
 WO D060838-003 9/2002
 WO 2013182397 A1 12/2013

OTHER PUBLICATIONS

Metal Watch Band Silver Tone Stainless Steel Simple Narrow Expansion Band with Expandable Ends 8-11MM, <<http://www.esslinger.com/11mm-silver-narrow-expansion-replacement-watch-band-for-women.aspx>>, accessed Dec. 5, 2014.
 Haedges, "1 Set Silver End Cap Clasp—Findings Large Toggle Clasp End Caps Buckle Connector with Five Inside Loops for Jewelry Making 26mm." <<http://www.etsy.com/listing/101269004/1-set-silver-end-cap-clasp-findings?ref=market>>, Listed on Aug. 29, 2014, accessed Oct. 9, 2014.
 CBWatches.com, "Braun Men's Prestige Digital Watch BN0106BKBTG With Black Plated Stainless Steel Case and Bracelet," <<http://cbwatches.com/shop/braun-mens-prestige-digital-watch-bn0106bkbtg-with-black-plated-stainless-steel-case-and-bracelet/>>, accessed Dec. 17, 2014.

* cited by examiner

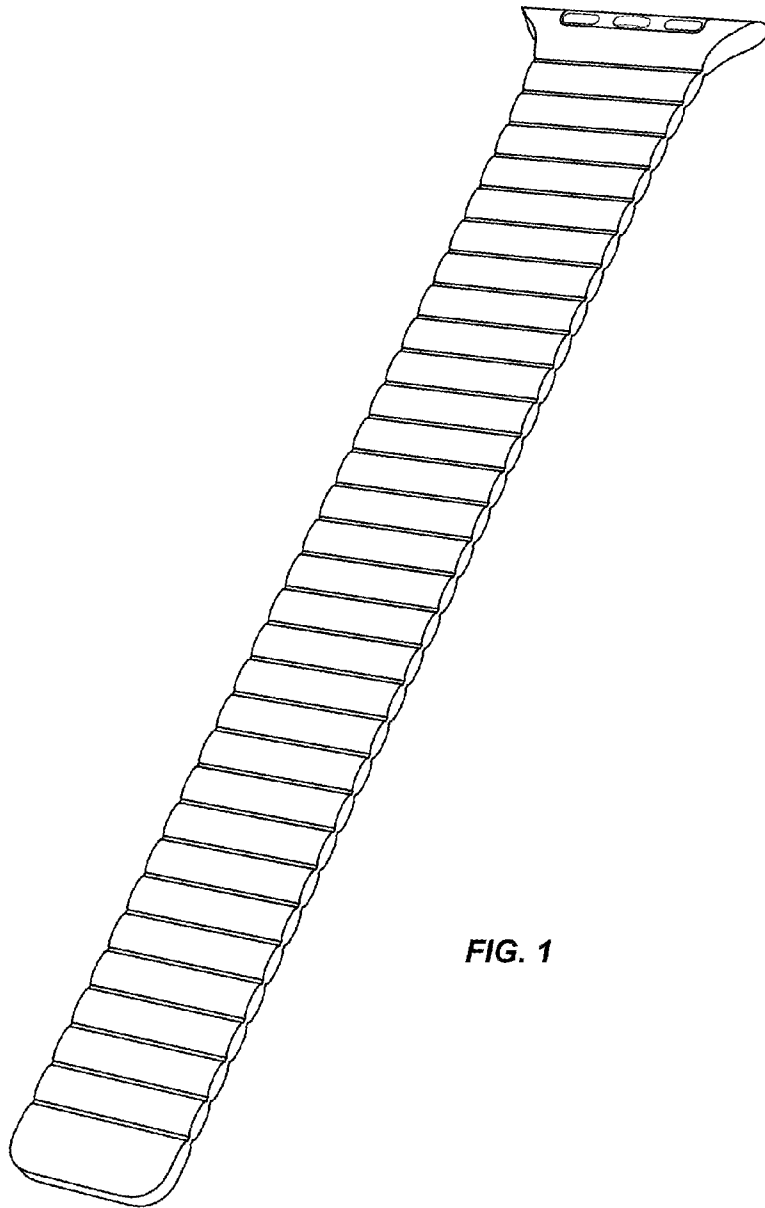
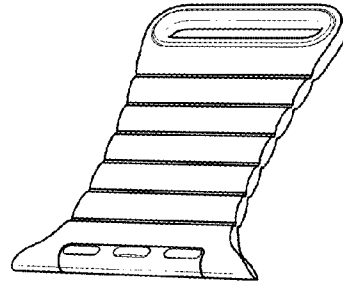


FIG. 1

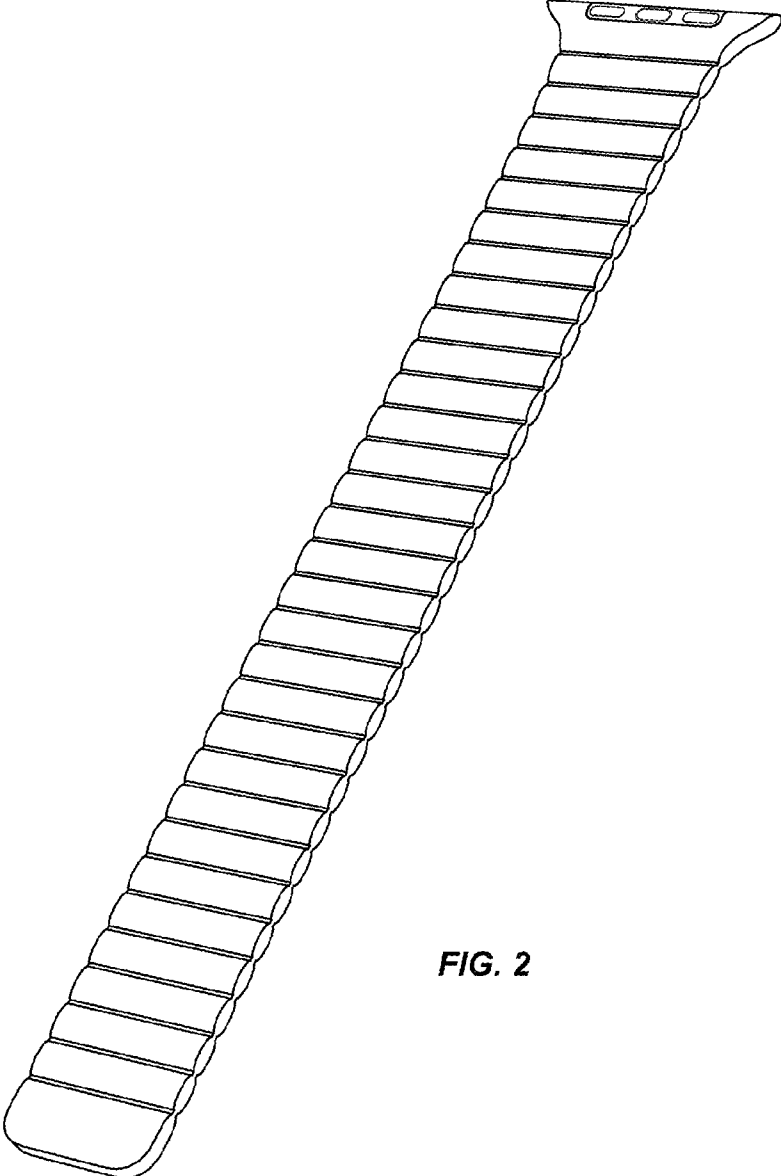
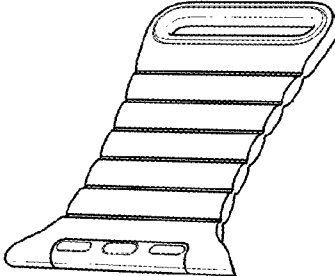


FIG. 2

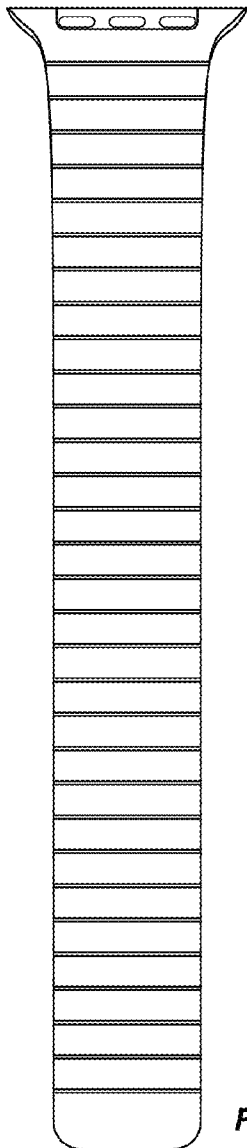
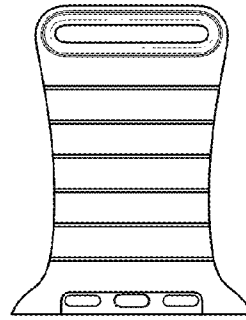
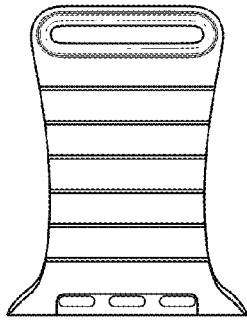


FIG. 3

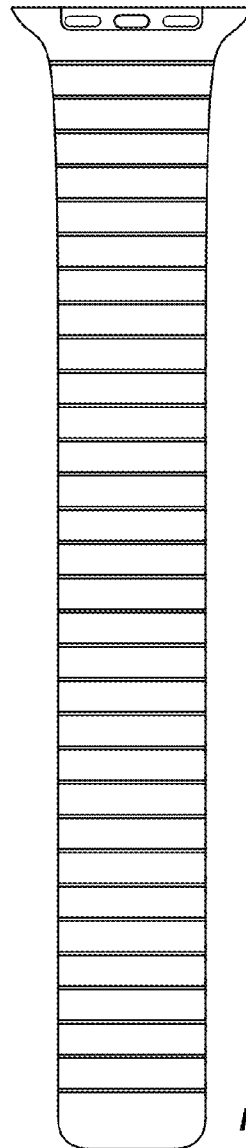


FIG. 4



FIG. 5

FIG. 6



FIG. 7



FIG. 8

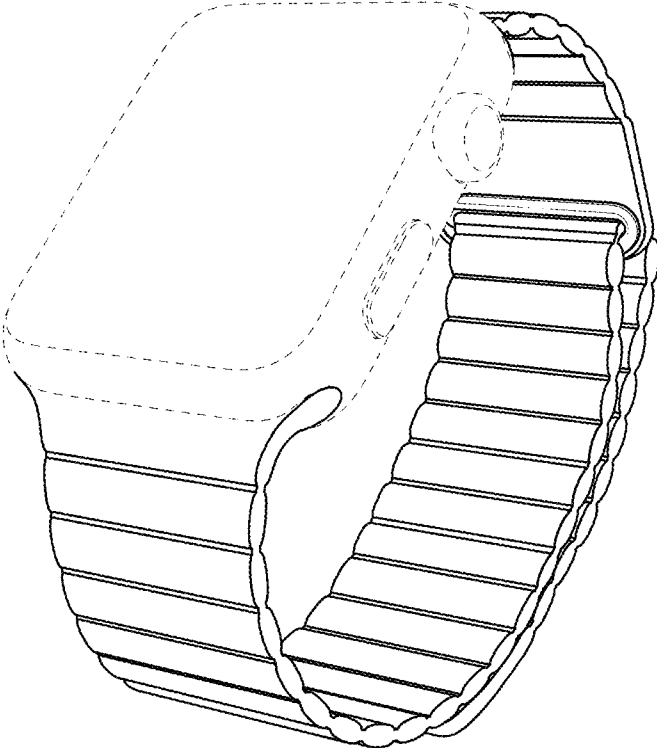


FIG. 9