



US00D490542S

(12) **United States Design Patent** (10) **Patent No.:** **US D490,542 S**  
**MacDonald** (45) **Date of Patent:** **\*\* May 25, 2004**

(54) **LANDSCAPING BLOCK**

(75) Inventor: **Robert A. MacDonald**, Plymouth, MN (US)

(73) Assignee: **Keystone Retaining Wall Systems, Inc.**, Bloomington, MN (US)

(\*\*) Term: **14 Years**

(21) Appl. No.: **29/182,982**

(22) Filed: **Jun. 3, 2003**

(51) **LOC (7) Cl.** ..... **25-01**

(52) **U.S. Cl.** ..... **D25/113**

(58) **Field of Search** ..... D25/112-113, D25/164; D21/484-486, 493; 405/16, 272, 284; 404/27-31, 34, 41-42; 52/574-575, 600, 604, 270, 608

(56) **References Cited**

**U.S. PATENT DOCUMENTS**

D435,305 S \* 12/2000 Pullen et al. .... D25/164  
D480,818 S \* 10/2003 Ogawa et al. .... D25/113

**OTHER PUBLICATIONS**

Concrete Masonry Pictorial, vol. 27, No. 5, c. 1971: customized concrete masonry units by Paul Rudolph.\*

\* cited by examiner

*Primary Examiner*—Louis S. Zarfes

*Assistant Examiner*—Robert A. Delehanty

(74) *Attorney, Agent, or Firm*—Popovich, Wiles & O'Connell, P.A.

(57) **CLAIM**

The ornamental design for a landscaping block, as shown and described.

**DESCRIPTION**

FIG. 1 is a perspective view of a landscaping block according to my new design.

FIG. 2 is a top plan view of the block of FIG. 1.

FIG. 3 is a bottom plan view of the block of FIG. 1.

FIG. 4 is a side elevational view of the block of FIG. 1.

FIG. 5 is a front plan view of the block of FIG. 1.

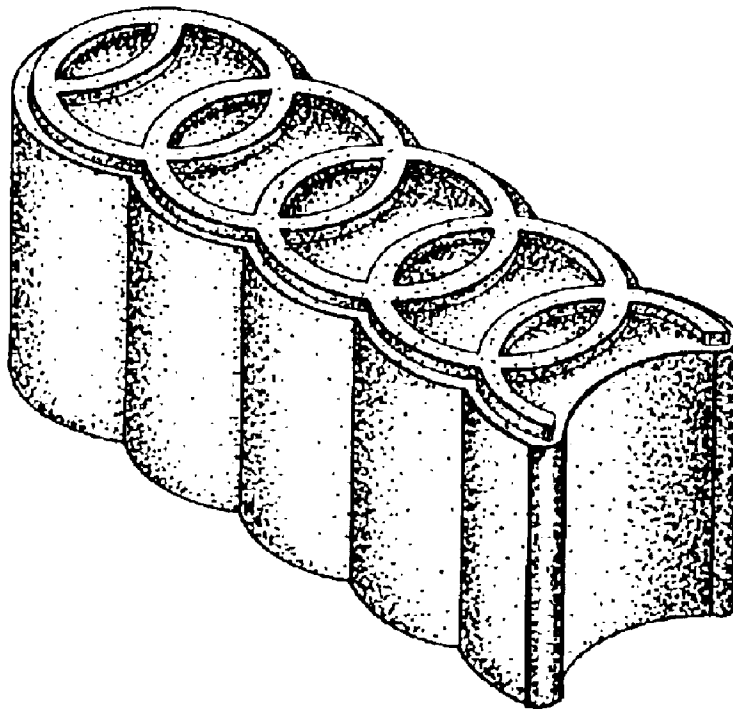
FIG. 6 is a side elevational view of the block of FIG. 1.

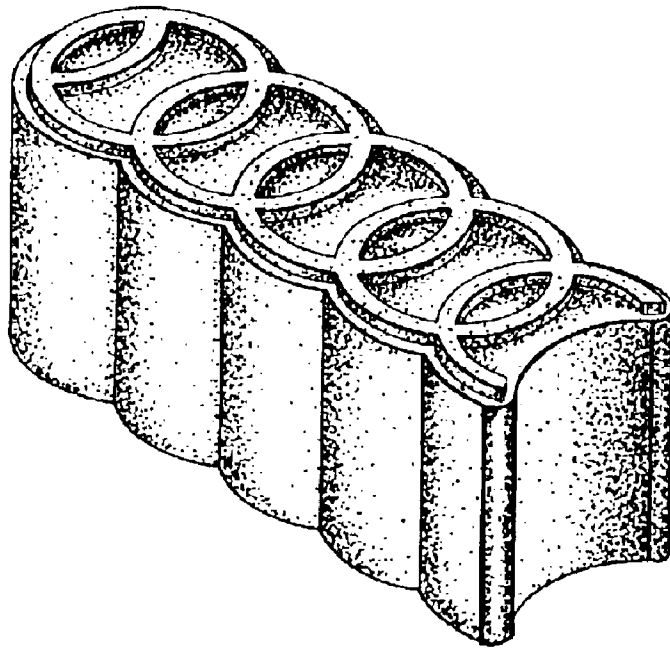
FIG. 7 is a back plan view of the block of FIG. 1; and,

FIG. 8 is a top view of a circle constructed with the landscaping block of FIG. 1.

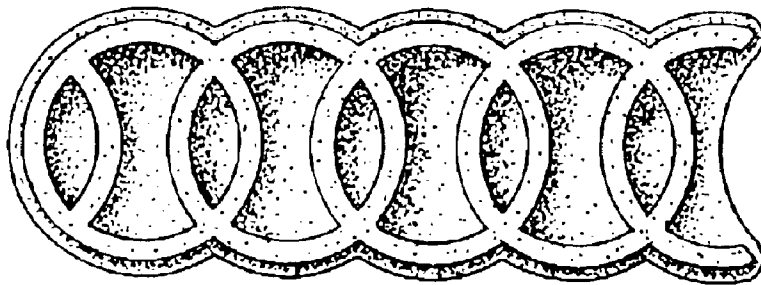
The broken line showing of FIG. 8 is for illustrative purposes only and forms no part of the claimed design.

**1 Claim, 4 Drawing Sheets**

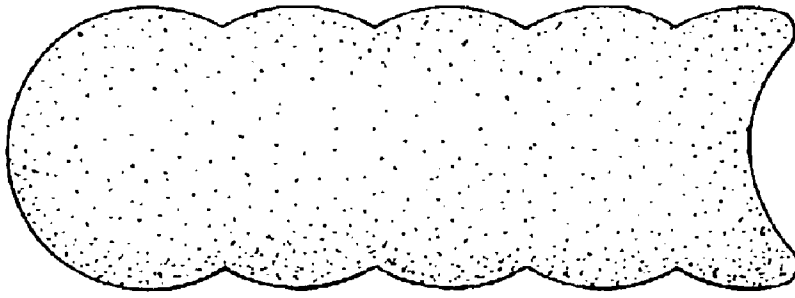




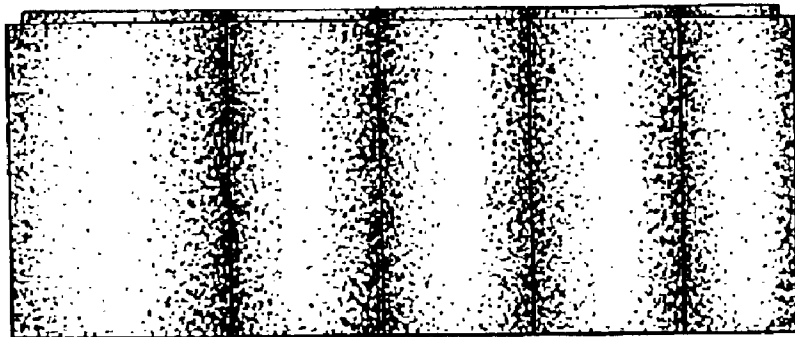
*Fig. 1*



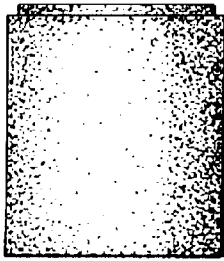
*Fig. 2*



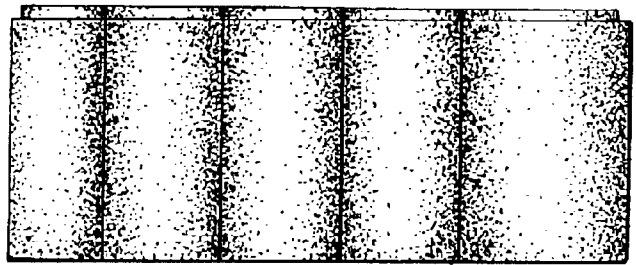
*Fig. 3*



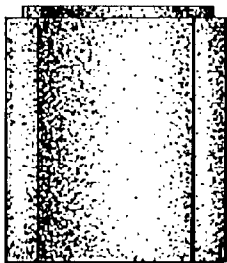
*Fig. 4*



*Fig. 5*



*Fig. 6*



*Fig. 7*



*Fig. 8*