



US00D935834S

(12) **United States Design Patent**
You et al.

(10) **Patent No.:** **US D935,834 S**

(45) **Date of Patent:** **** Nov. 16, 2021**

(54) **LID OF ELECTRIC PRESSURE COOKER**

(56) **References Cited**

(71) Applicant: **LG ELECTRONICS INC.**, Seoul (KR)

U.S. PATENT DOCUMENTS

(72) Inventors: **Hyunhee You**, Seoul (KR); **Sungkyung Kim**, Seoul (KR); **Joo-Gyeom Kim**, Seoul (KR); **Kyoungmin Baek**, Seoul (KR); **Woonkyu Seo**, Seoul (KR); **Hyunsun Yoo**, Seoul (KR); **Yousook Eun**, Seoul (KR); **Hyejin Choi**, Seoul (KR)

D314,514	S	*	2/1991	Ten Eyck	D9/435
D336,596	S	*	6/1993	Osgood	D7/542
5,363,978	A	*	11/1994	Molo	B65D 51/1683 220/254.3
D496,823	S	*	10/2004	Josancy	D7/360
D530,564	S	*	10/2006	Chiba	D7/360
D537,300	S	*	2/2007	Kim	D7/542
D557,062	S	*	12/2007	Henry	D7/360
D577,549	S	*	9/2008	Plante	D7/538
D667,273	S	*	9/2012	Henry	D7/542

(Continued)

(73) Assignee: **LG ELECTRONICS INC.**, Seoul (KR)

Primary Examiner — Ricky Pham

(**) Term: **15 Years**

(74) *Attorney, Agent, or Firm* — Birch, Stewart, Kolasch & Birch, LLP

(21) Appl. No.: **29/676,875**

(22) Filed: **Jan. 15, 2019**

(57) **CLAIM**

(30) **Foreign Application Priority Data**

The ornamental design for the lid of electric pressure cooker, as shown and described.

Jul. 16, 2018 (KR) 30-2018-0032775

(51) **LOC (13) Cl.** **07-02**

(52) **U.S. Cl.**
USPC **D7/391; D7/358**

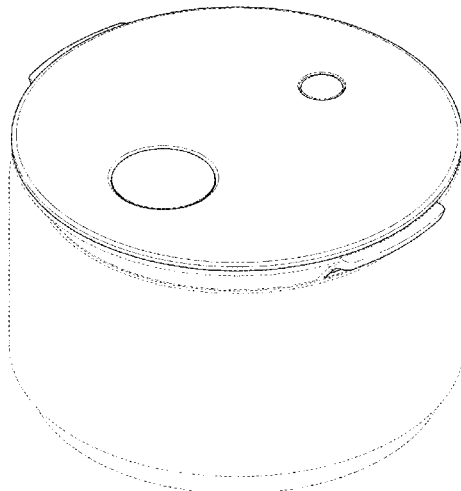
(58) **Field of Classification Search**
USPC D7/323, 354-361, 391, 393, 542, 608, D7/629; D9/447
CPC A47J 27/00; A47J 27/004; A47J 27/08; A47J 27/0802; A47J 27/0804; A47J 27/0811; A47J 27/0813; A47J 27/0815; A47J 27/0817; A47J 27/084; A47J 27/09; A47J 27/092; A47J 36/025; A47J 36/027; A47J 36/06; A47J 37/12; A47J 37/1204; A47J 37/1209; A47J 45/07; A47J 45/071; A47J 45/074; A47J 45/08; B01D 2201/345; B01J 3/03; B01J 3/04; B65D 51/1683; F01P 2011/0247; F01P 2011/0252; H05B 6/00; H05B 6/02; H05B 6/06

DESCRIPTION

FIG. 1 is a front, right side, perspective view of a lid of electric pressure cooker showing our new design; FIG. 2 is a front view thereof; FIG. 3 is a rear view thereof; FIG. 4 is a left side view thereof; FIG. 5 is a right side view thereof; FIG. 6 is a top view thereof; FIG. 7 is a bottom view thereof; and, FIG. 8 is a reference view that shows the subject design with an electric pressure cooker installed thereof. The broken lines indicate unclaimed portion of the article that form no part of the claimed design. The broken line showing in FIG. 8 is for the purpose of illustrating environmental structure and forms no part of the claimed design.

See application file for complete search history.

1 Claim, 8 Drawing Sheets



(56)

References Cited

U.S. PATENT DOCUMENTS

D759,425	S *	6/2016	Castriota	D7/391
D770,845	S *	11/2016	Quinn	D7/360
D900,529	S *	11/2020	You	D7/358
2007/0158339	A1 *	7/2007	Beckman	A47J 36/027 219/734

* cited by examiner

FIG. 1

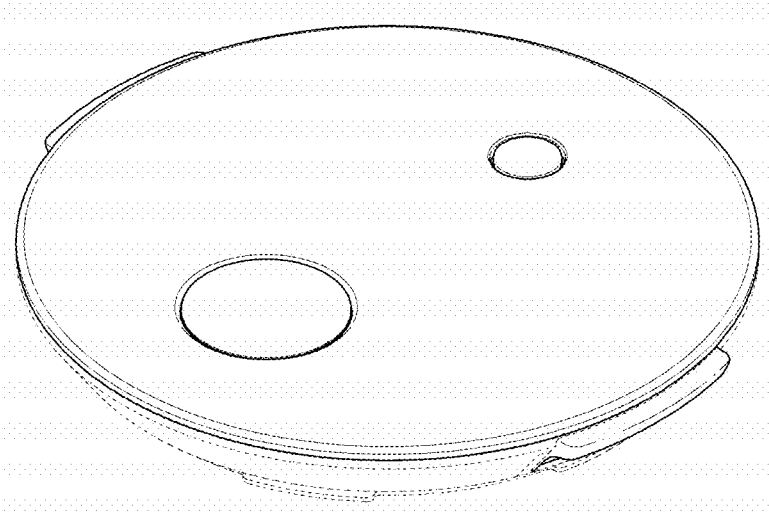


FIG. 2

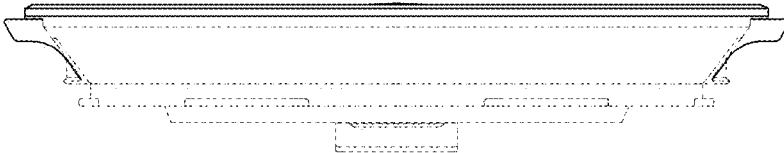


FIG. 3

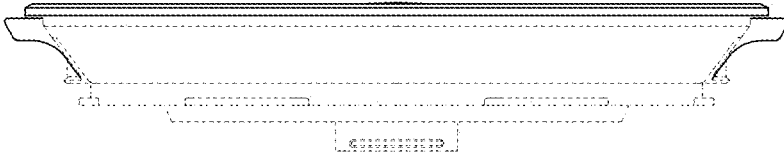


FIG. 4

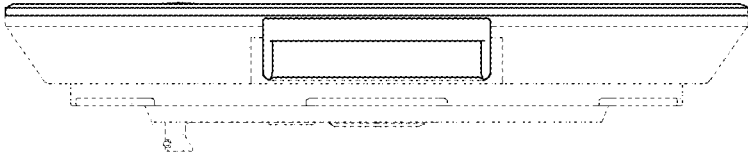


FIG. 5

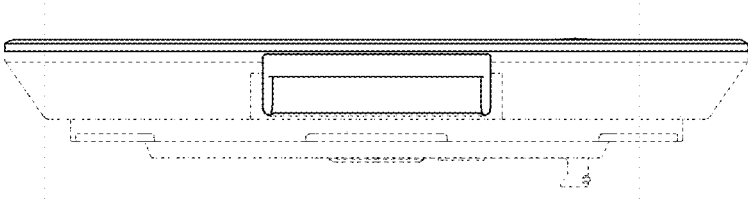


FIG. 6

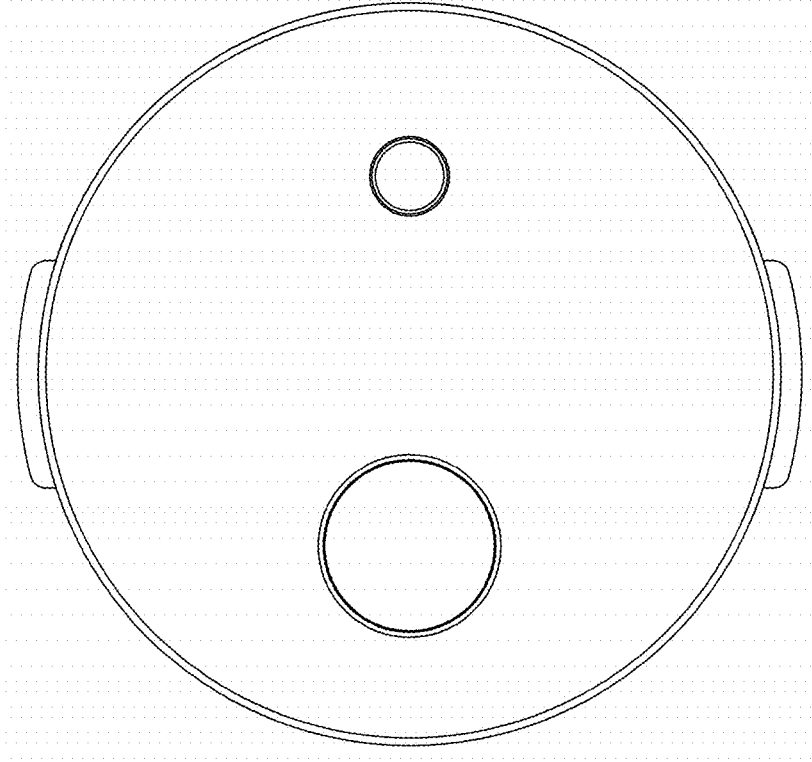


FIG. 7

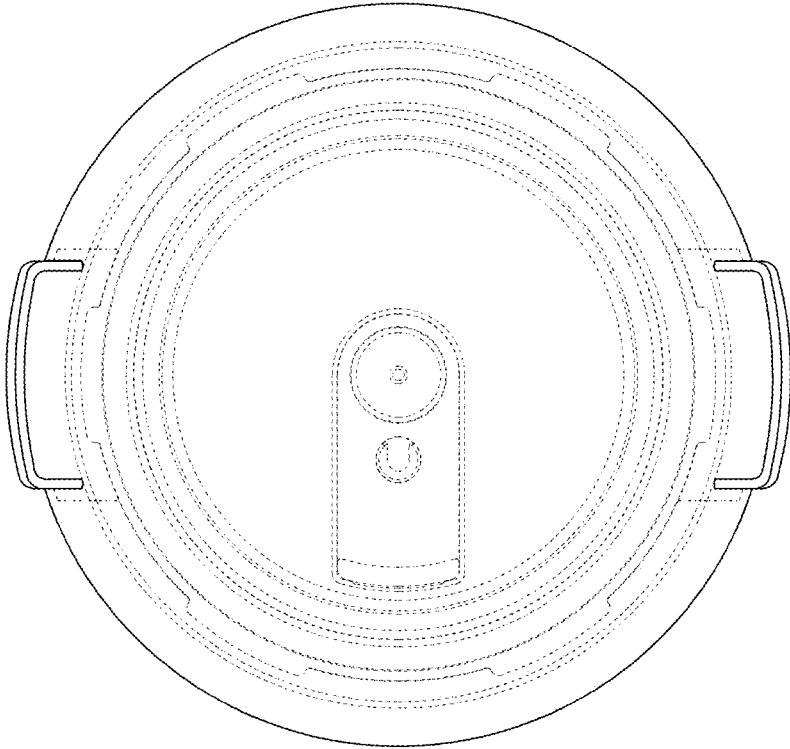


FIG. 8

