



US00D748460S

(12) **United States Design Patent**  
**Byrne**

(10) **Patent No.:** **US D748,460 S**

(45) **Date of Patent:** **\*\* Feb. 2, 2016**

(54) **BRACKET ASSEMBLY FOR A WALL UNIT**

(75) Inventor: **Timothy M. Byrne**, Sandy Hook, CT (US)

(73) Assignee: **GET BACK, INC.**, Oakville, CT (US)

(\*\*) Term: **14 Years**

(21) Appl. No.: **29/432,048**

(22) Filed: **Sep. 13, 2012**

(51) **LOC (10) Cl.** ..... **08-05**

(52) **U.S. Cl.**  
USPC ..... **D8/381**

(58) **Field of Classification Search**  
USPC ..... D8/349, 354, 355, 380-381, 395;  
D6/675, 675.1, 675.2, 681, 681.1;  
248/220.21, 343, 188.2, 73, 220.3,  
248/312.1, 224.3, 223.4; 411/522, 337,  
411/546, 539  
CPC .. F16B 13/00; A47B 13/00; A47B 2230/0003  
See application file for complete search history.

(56) **References Cited**

**U.S. PATENT DOCUMENTS**

D325,488 S *	4/1992	Sheriff .....	D6/566
D390,924 S *	2/1998	Schlatter .....	D23/267
D435,435 S *	12/2000	Shea .....	D8/363
7,330,559 B2 *	2/2008	Akino .....	381/363
D620,482 S *	7/2010	Chen .....	D14/225
D630,570 S *	1/2011	Greenthal .....	D12/223
D638,694 S *	5/2011	Misch .....	D8/380
D644,002 S *	8/2011	Saito et al. ....	D2/600
D666,075 S *	8/2012	Muratore et al. ....	D8/349
D673,840 S *	1/2013	Drobot et al. ....	D8/381
D678,043 S *	3/2013	Lu .....	D8/373

D699,337 S *	2/2014	Wang .....	D23/385
2006/0033000 A1 *	2/2006	Seo .....	248/343
2007/0215773 A1 *	9/2007	Kerr .....	248/343
2008/0315065 A1 *	12/2008	Hanson .....	249/48
2014/0262615 A1 *	9/2014	Copp .....	182/107

\* cited by examiner

*Primary Examiner* — Kelley Donnelly

(74) *Attorney, Agent, or Firm* — Carmody Torrance Sandak & Hennessey LLP

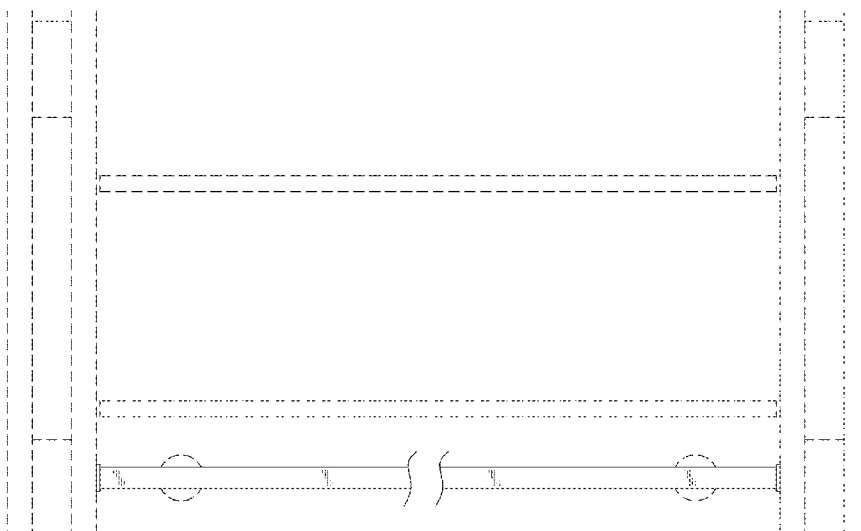
(57) **CLAIM**

The ornamental design for a bracket assembly for a wall unit, as shown and described.

**DESCRIPTION**

FIG. 1 is a front view of a bracket assembly for a wall unit shown in environment;  
 FIG. 2 is a top view thereof shown in environment;  
 FIG. 3 is a bottom view thereof shown in environment;  
 FIG. 4 is a cross-sectional view thereof taken along lines 4-4 in FIG. 2 shown in environment;  
 FIG. 5 is a cross-sectional view thereof taken along lines 5-5 in FIG. 3 shown in environment;  
 FIG. 6 is a first side view thereof taken along lines 6-6 in FIG. 3 shown in environment;  
 FIG. 7 is a second side view thereof taken along lines 7-7 in FIG. 3 shown in environment; and,  
 FIG. 8 is a rear view thereof shown in environment.  
 The dotted lines are intended to show features that are environmental only and form no part of the claimed design.  
 The break lines shown in FIGS. 1, 2 and 3 are not part of the claimed design and represent that no particular length is claimed.

**1 Claim, 7 Drawing Sheets**



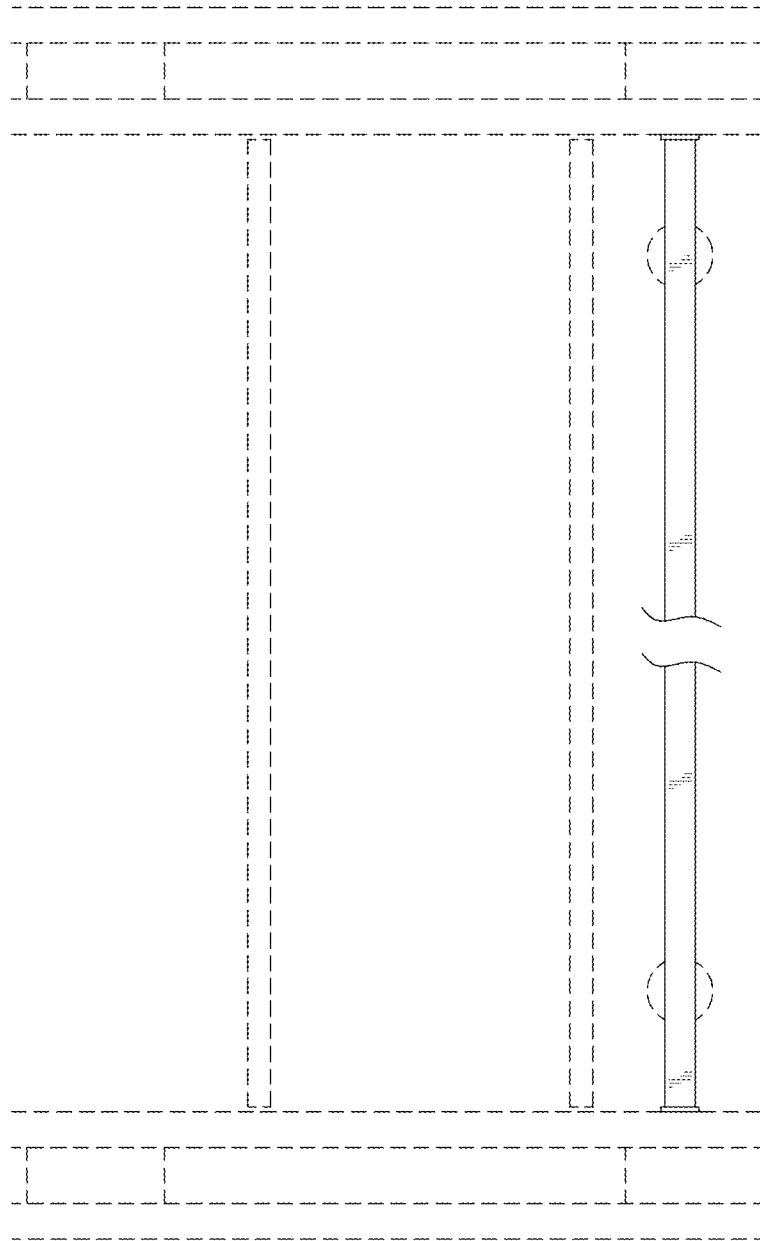


FIG. 1

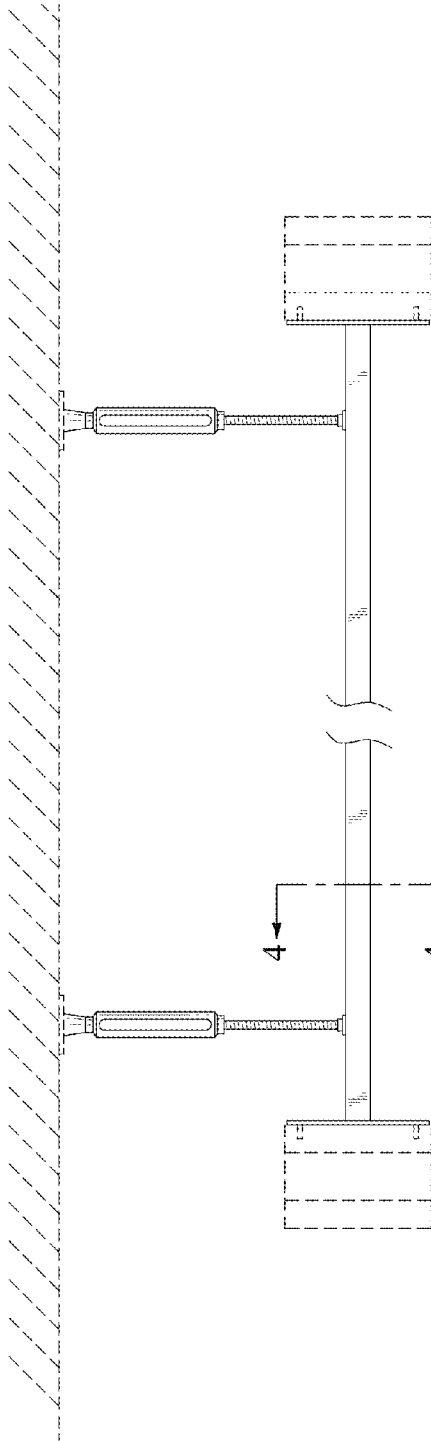


FIG. 2

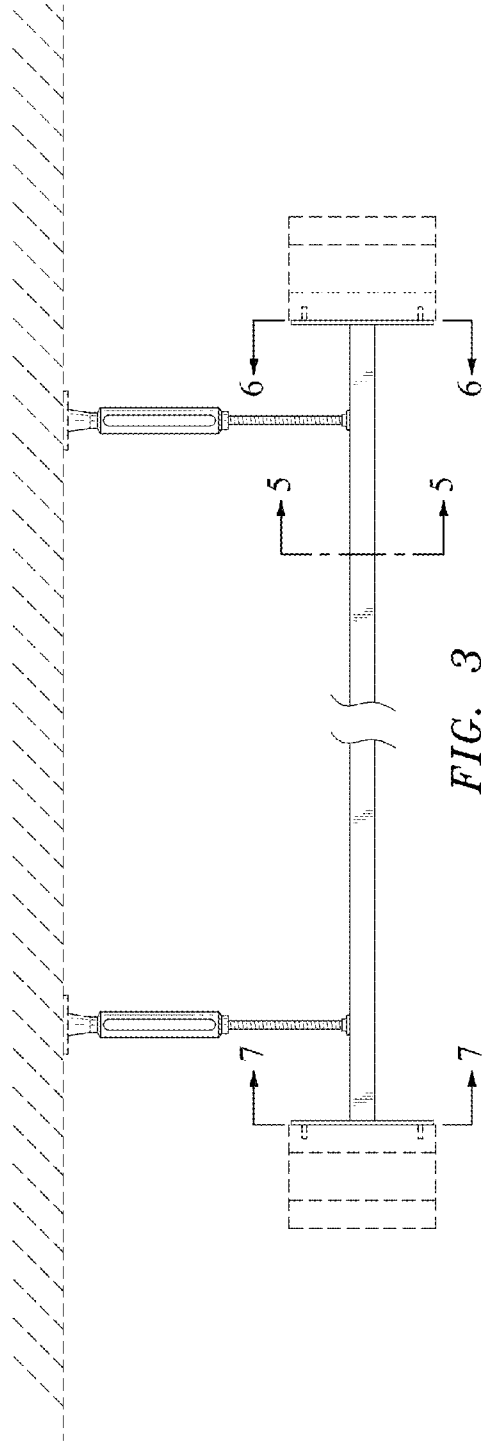


FIG. 3

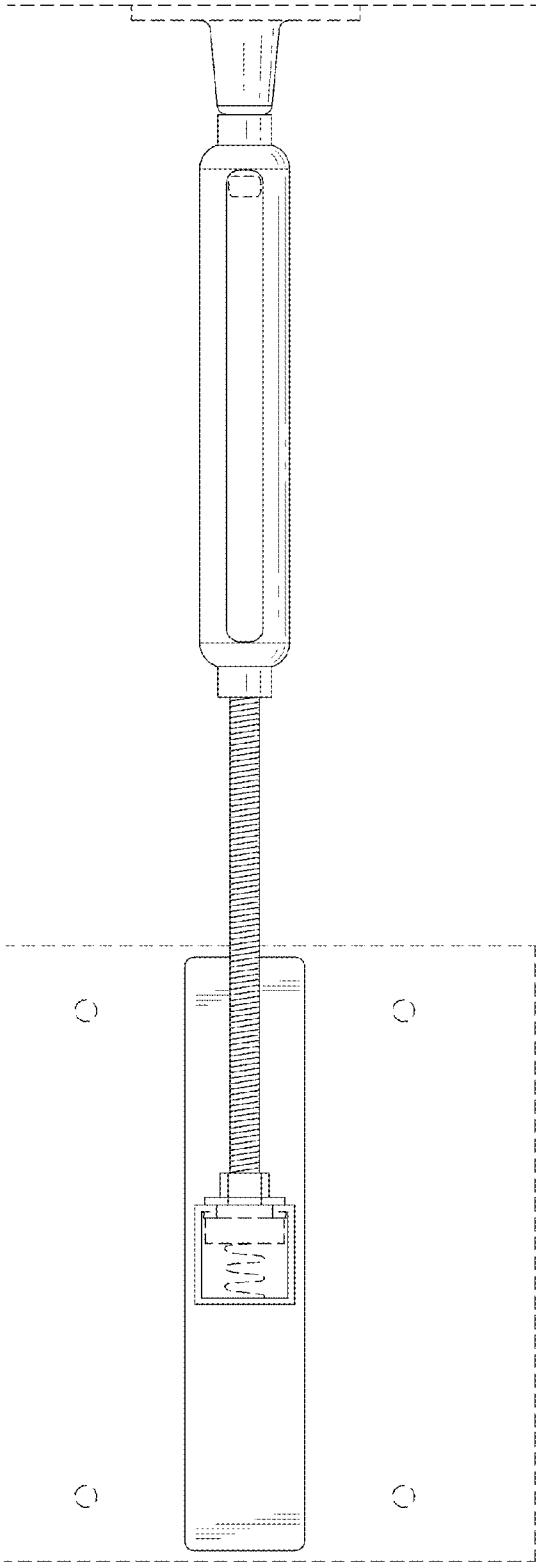


FIG. 4

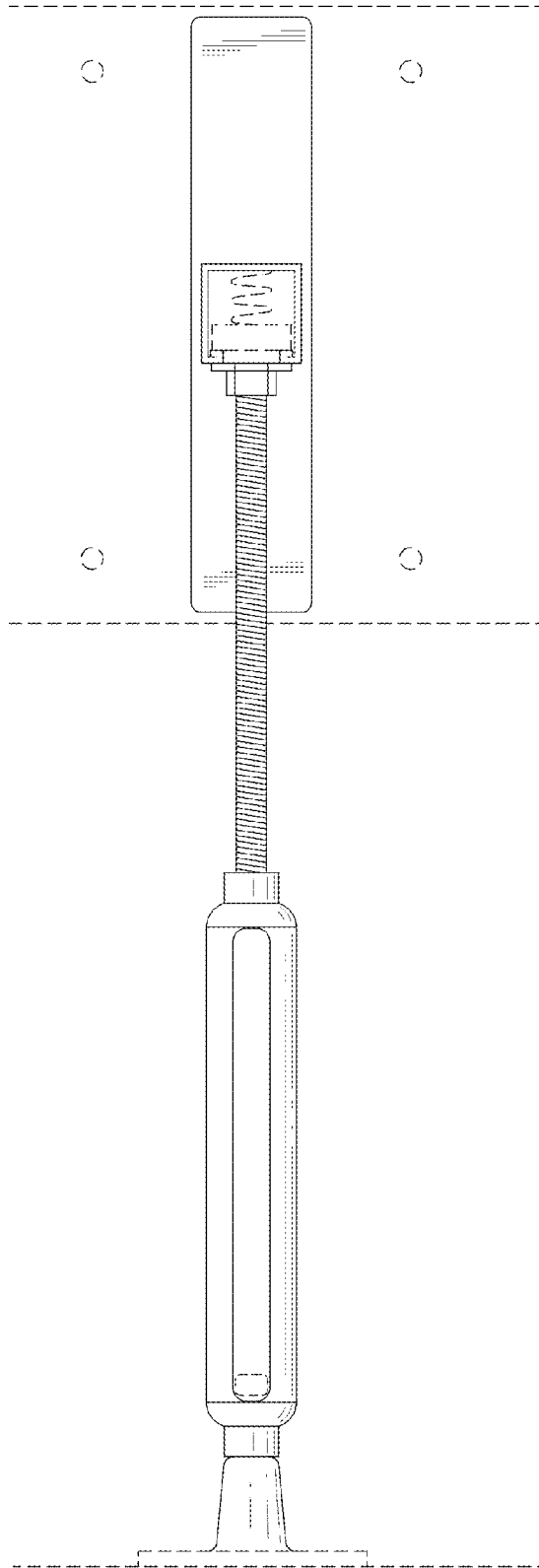


FIG. 5

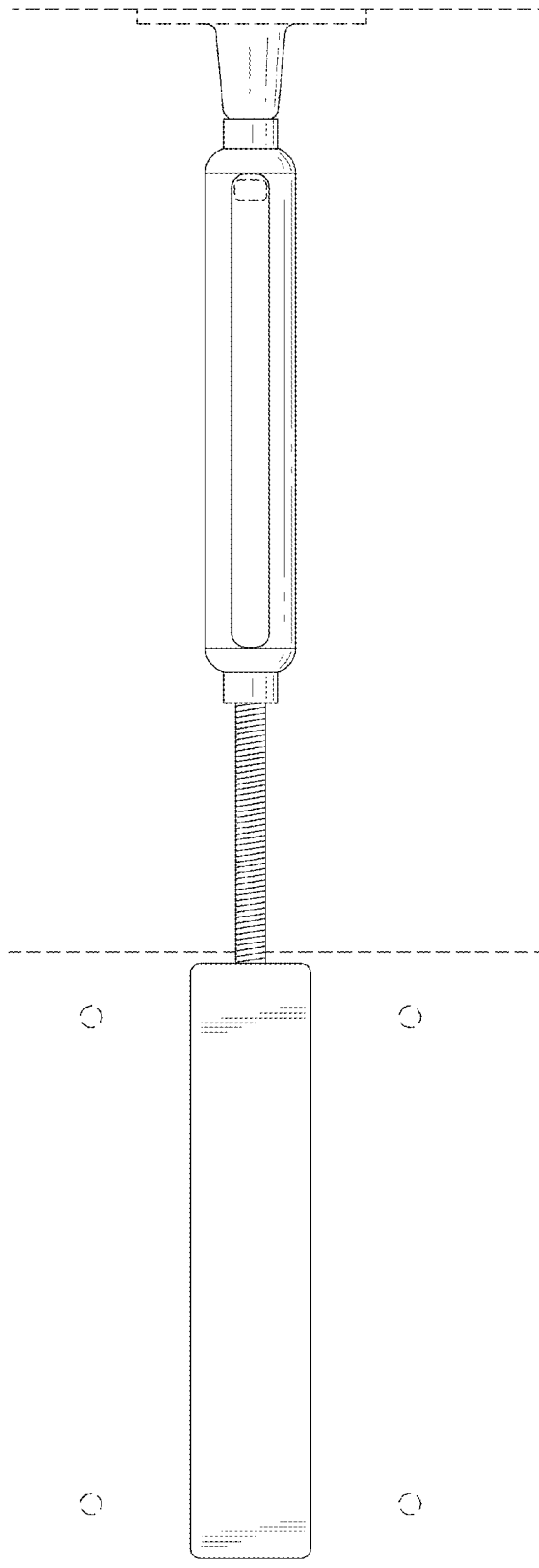


FIG. 6

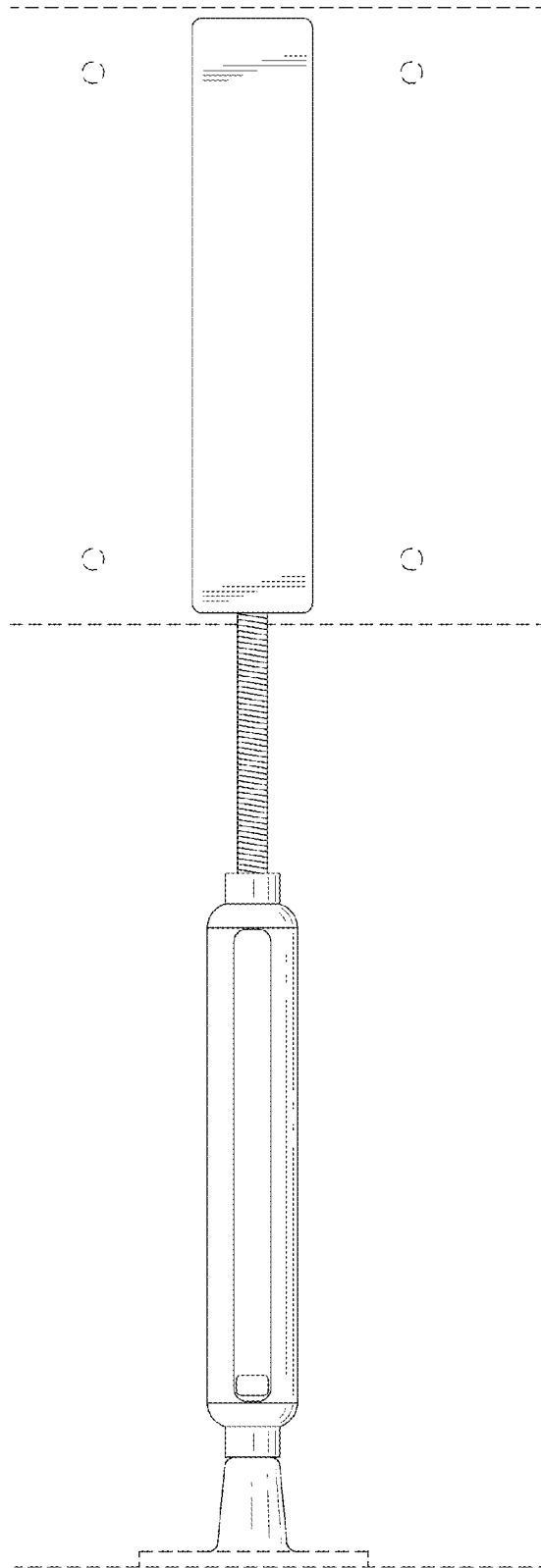


FIG. 7

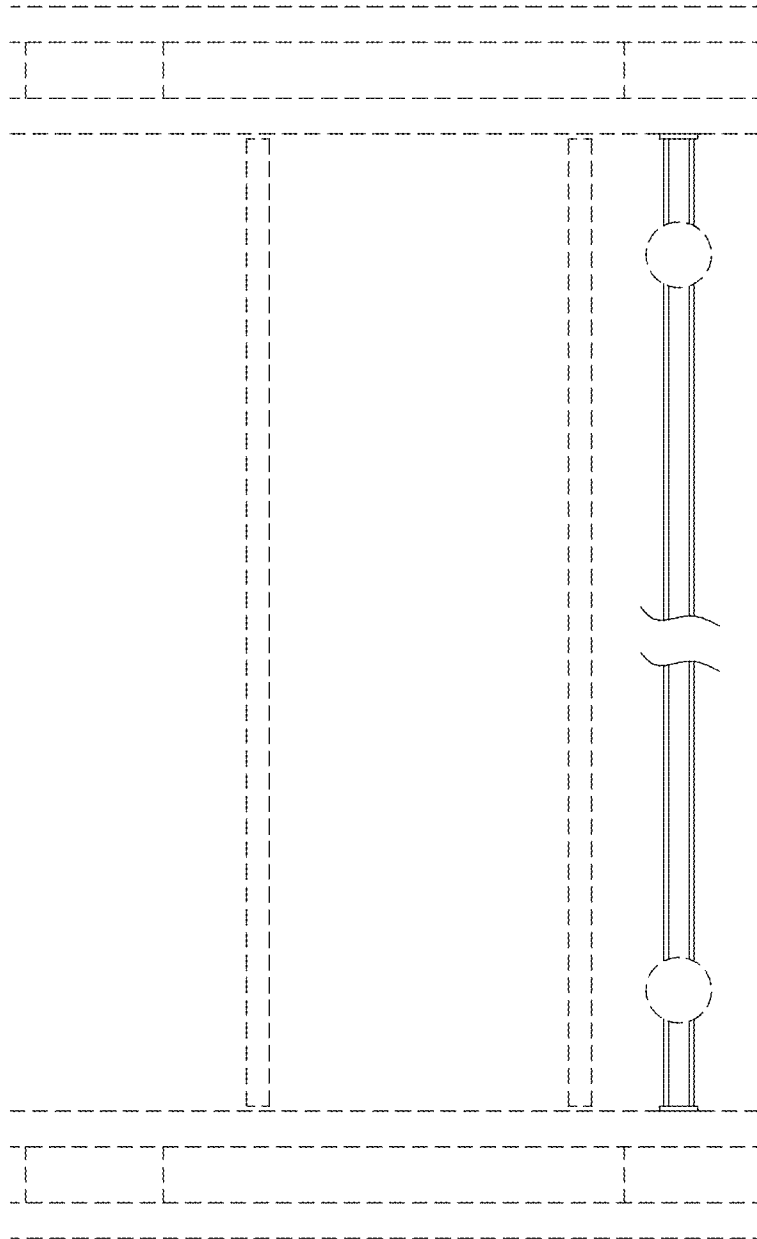


FIG. 8