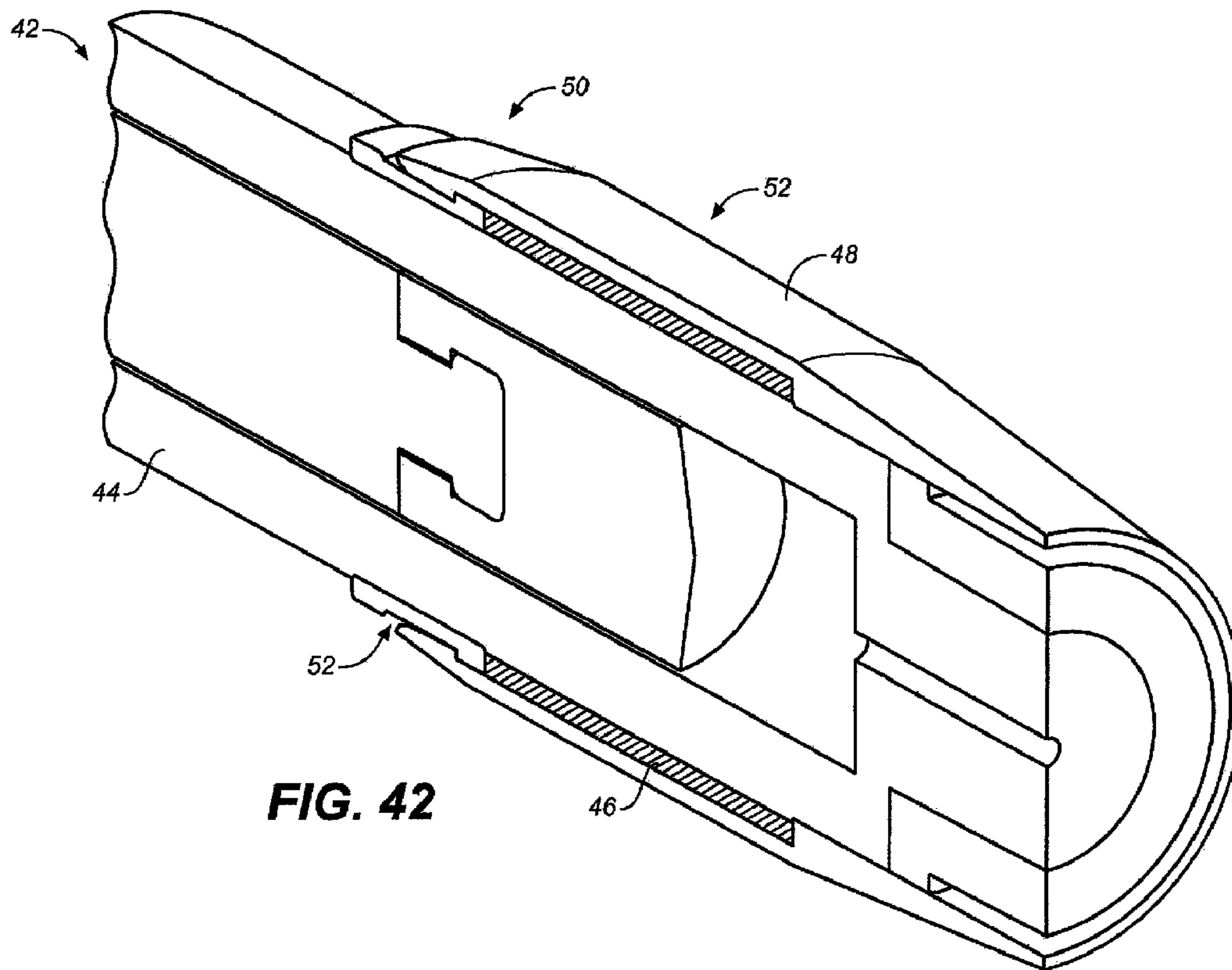




(86) Date de dépôt PCT/PCT Filing Date: 2011/03/31  
 (87) Date publication PCT/PCT Publication Date: 2011/10/06  
 (85) Entrée phase nationale/National Entry: 2012/09/28  
 (86) N° demande PCT/PCT Application No.: US 2011/030840  
 (87) N° publication PCT/PCT Publication No.: 2011/123722  
 (30) Priorités/Priorities: 2010/03/31 (US61/341,582);  
 2010/09/20 (US61/384,636); 2010/12/13 (US61/422,220)

(51) Cl.Int./Int.Cl. *A61F 2/00* (2006.01)  
 (71) Demandeur/Applicant:  
 OCUJECT, LLC, US  
 (72) Inventeurs/Inventors:  
 LERNER, LEONID E., US;  
 SHUBAYEV, IGOR, US  
 (74) Agent: BORDEN LADNER GERVAIS LLP

(54) Titre : DISPOSITIF ET PROCEDE POUR ADMINISTRER UN MEDICAMENT PAR VOIE INTRA-OCULAIRE  
 (54) Title: DEVICE AND METHOD FOR INTRAOCULAR DRUG DELIVERY



**FIG. 42**

(57) Abrégé/Abstract:

Devices for delivering pharmaceutical formulations into the eye are described. The devices may be integrated to include features that allow safe and atraumatic manipulation of the devices with one hand. For example, accurate placement, including proper

(57) **Abrégé(suite)/Abstract(continued):**

angulation, of the device on the eye and injection of a pharmaceutical formulation into the eye can be performed using one hand. The devices may also include improved safety features. For example, the devices may include an actuation mechanism that controls the rate and depth of injection into the eye. Some devices include a dynamic resistance component capable of adjusting the amount of pressure applied to the eye surface. Related methods and systems comprising the devices are also described.

(12) INTERNATIONAL APPLICATION PUBLISHED UNDER THE PATENT COOPERATION TREATY (PCT)

(19) World Intellectual Property Organization  
International Bureau(43) International Publication Date  
6 October 2011 (06.10.2011)

PCT

(10) International Publication Number  
**WO 2011/123722 A1**(51) International Patent Classification:  
A61F 2/00 (2006.01)(21) International Application Number:  
PCT/US2011/030840(22) International Filing Date:  
31 March 2011 (31.03.2011)

(25) Filing Language: English

(26) Publication Language: English

(30) Priority Data:  
61/341,582 31 March 2010 (31.03.2010) US  
61/384,636 20 September 2010 (20.09.2010) US  
61/422,220 13 December 2010 (13.12.2010) US(71) Applicant (for all designated States except US): **OCU-  
JECT, LLC** [US/US]; 50 Whitewater Drive, Corona Del  
Mar, CA 92625 (US).

(72) Inventors; and

(75) Inventors/Applicants (for US only): **LERNER, Leonid,  
E.** [US/US]; 50 Whitewater Drive, Corona Del Mar, CA  
92625 (US). **SHUBAYEV, Igor** [US/US]; 4441 Vision  
Drive, #5, San Diego, CA 92121 (US).(74) Agents: **AMII, Lisa A.** et al.; Morrison & Foerster LLP,  
755 Page Mill Road, Palo Alto, CA 94304-1018 (US).(81) Designated States (unless otherwise indicated, for every  
kind of national protection available): AE, AG, AL, AM,  
AO, AT, AU, AZ, BA, BB, BG, BH, BR, BW, BY, BZ,  
CA, CH, CL, CN, CO, CR, CU, CZ, DE, DK, DM, DO,  
DZ, EC, EE, EG, ES, FI, GB, GD, GE, GH, GM, GT,  
HN, HR, HU, ID, IL, IN, IS, JP, KE, KG, KM, KN, KP,  
KR, KZ, LA, LC, LK, LR, LS, LT, LU, LY, MA, MD,  
ME, MG, MK, MN, MW, MX, MY, MZ, NA, NG, NI,  
NO, NZ, OM, PE, PG, PH, PL, PT, RO, RS, RU, SC, SD,  
SE, SG, SK, SL, SM, ST, SV, SY, TH, TJ, TM, TN, TR,  
TT, TZ, UA, UG, US, UZ, VC, VN, ZA, ZM, ZW.(84) Designated States (unless otherwise indicated, for every  
kind of regional protection available): ARIPO (BW, GH,  
GM, KE, LR, LS, MW, MZ, NA, SD, SL, SZ, TZ, UG,  
ZM, ZW), Eurasian (AM, AZ, BY, KG, KZ, MD, RU, TJ,  
TM), European (AL, AT, BE, BG, CH, CY, CZ, DE, DK,  
EE, ES, FI, FR, GB, GR, HR, HU, IE, IS, IT, LT, LU,  
LV, MC, MK, MT, NL, NO, PL, PT, RO, RS, SE, SI, SK,  
SM, TR), OAPI (BF, BJ, CF, CG, CI, CM, GA, GN, GQ,  
GW, ML, MR, NE, SN, TD, TG).

Published:

— with international search report (Art. 21(3))

(54) Title: DEVICE AND METHOD FOR INTRAOCULAR DRUG DELIVERY

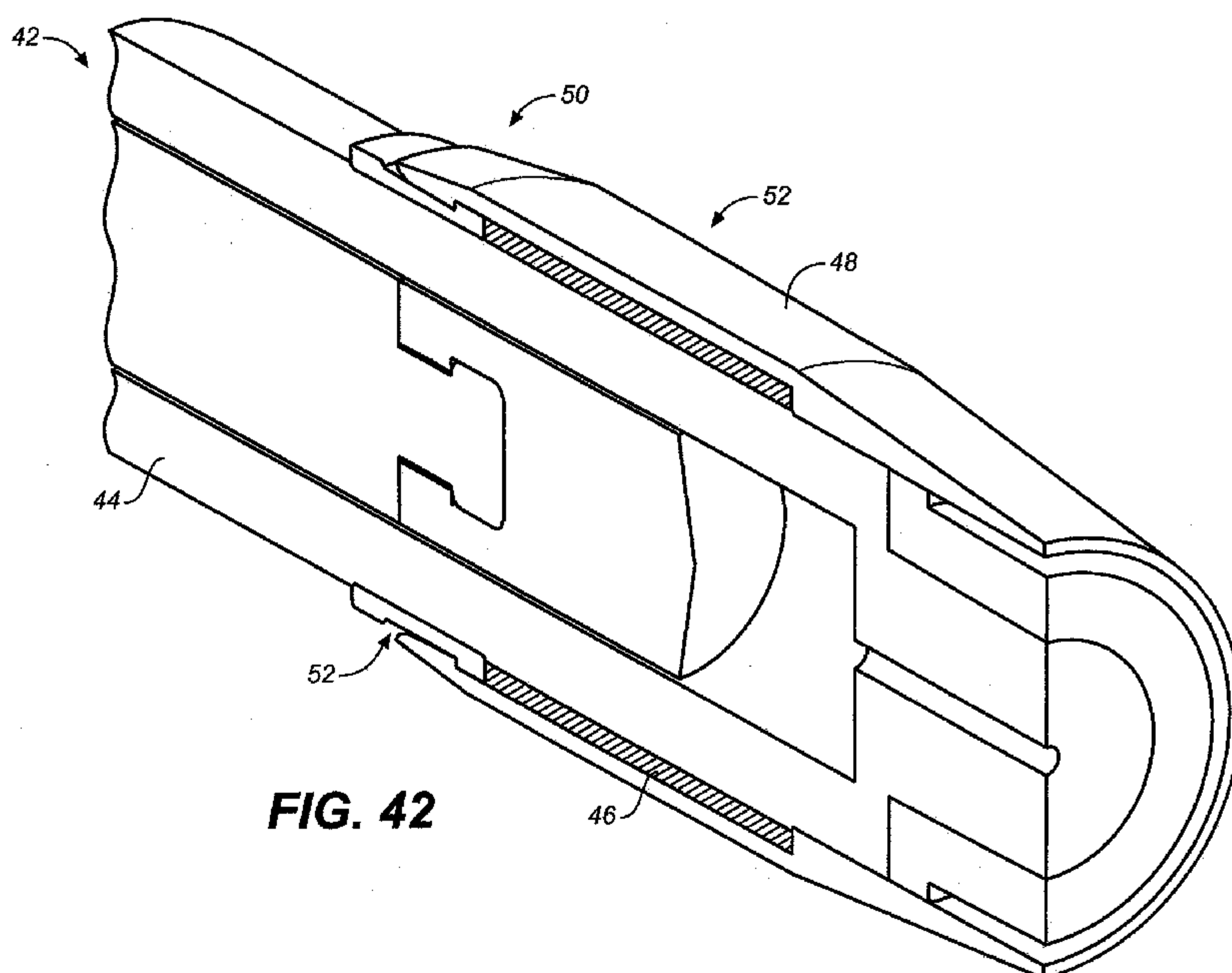


FIG. 42

(57) Abstract: Devices for delivering pharmaceutical formulations into the eye are described. The devices may be integrated to include features that allow safe and atraumatic manipulation of the devices with one hand. For example, accurate placement, including proper angulation, of the device on the eye and injection of a pharmaceutical formulation into the eye can be performed using one hand. The devices may also include improved safety features. For example, the devices may include an actuation mechanism that controls the rate and depth of injection into the eye. Some devices include a dynamic resistance component capable of adjusting the amount of pressure applied to the eye surface. Related methods and systems comprising the devices are also described.



## DEVICE AND METHOD FOR INTRAOCULAR DRUG DELIVERY

### CROSS-REFERENCE TO RELATED APPLICATIONS

**[0001]** This application claims priority to U.S. Provisional Application Serial No. 61/341,582 filed on March 31, 2010, U.S. Provisional Application Serial No. 61/384,636 filed on September 20, 2010, and U.S. Provisional Application Serial No. 61/422,220 filed on December 13, 2010, each of which is hereby incorporated by reference in its entirety.

### FIELD

**[0002]** Described here are devices that are configured to safely and accurately deliver pharmaceutical formulations into the eye. Specifically, the devices may integrate various features that allow easy manipulation of the devices, and which may be beneficial for positioning of the devices on the ocular surface and for injecting pharmaceutical formulations atraumatically within the eye. Systems and methods for intraocularly delivering the pharmaceutical formulations using the devices are also described.

### BACKGROUND

**[0003]** The eye is a complex organ comprised of many parts that enable the process of sight. Vision quality depends on the condition of each individual part and the ability of these parts to work together. For example, vision may be affected by conditions that affect the lens (e.g., cataracts), retina (e.g., CMV retinitis), or the macula (e.g., macular degeneration). Topical and systemic drug formulations have been developed to treat these and other ocular conditions, but each has its drawbacks. For example, topical therapies that are applied on the surface of the eye typically possess short residence times due to tear flow that washes them out of the eye. Furthermore, delivery of drugs into the eye is limited due to the natural barrier presented by the cornea and sclera, and additional structures if the intended target resides within the posterior chamber. With respect to systemic treatments, high doses of drug are often required in order to obtain therapeutic levels within the eye, which increases the risk of adverse side-effects.

**[0004]** Alternatively, intravitreal injections have been performed to locally deliver pharmaceutical formulations into the eye. The use of intravitreal injections has become more common due to the increased availability of anti-vascular endothelial growth factor agents for

the treatment of acute macular degeneration (AMD). Agents approved by the FDA for intravitreal injection to treat AMD include ranibizumab (Lucentis®: Genentech, South San Francisco, CA) and pegaptanib sodium (Macugen®: Eyetech Pharmaceuticals, New York, NY). In addition, intravitreal bevacizumab (Avastin®: Genentech, South San Francisco, CA) has been widely used in an off-label application to treat choroidal neovascularization. Increased interest in developing new drugs for delivery directly into the vitreous for the treatment of macular edema, retinal vein occlusion, and vitreous hemorrhage also exists.

[0005] Currently, commercially available intravitreal injection devices lack many features that are useful in exposing the site of injection, stabilizing the device against the sclera, and/or controlling the angle and depth of injection. Many of the devices described in the patent literature, e.g., WO 2008/084064 and U.S. 2007/0005016, are also part of multi-component systems that are generally time consuming to set up and use. The increased procedure time associated with these devices may in turn increase the risk of complications. Further, having to manipulate many components by itself may increase the risk of complications due to user error. A serious complication of intraocular injection is intraocular infection, termed endophthalmitis that occurs due to the introduction of pathogenic organisms such as bacteria from the ocular surface into the intraocular environment, or trauma to the ocular surface tissues such as corneal or conjunctival abrasion.

[0006] Accordingly, new devices for performing intravitreal injections would be desirable. Ergonomic devices that simplify the injection procedure and reduce the risk of complications would be useful. Devices that accurately and atraumatically inject drugs, e.g., liquid, semisolid, or suspension-based drugs, into the eye would also be useful.

## SUMMARY

[0007] Described here are devices, methods, and systems for delivering pharmaceutical formulations into the eye. The devices may be integrated. By “integrated” it is meant that various features that may be beneficial in delivering the pharmaceutical formulations into the eye, e.g., in a safe, sterile, and accurate manner, are combined into a single device. For example, features that may aid appropriate placement on the desired eye surface site, help position the device so that the intraocular space is accessed at the proper angle, help to keep the device tip stable without moving or sliding on the ocular surface once it has been positioned during the entire drug injection, adjust or control intraocular pressure, and/or help



to minimize trauma, e.g., from the force of drug injection or contact or penetration of the eye wall itself, may be integrated into a single device. More specifically, the integrated devices may be used in minimizing trauma due to direct contact with the target tissue or indirectly through force transmission through another tissue or tissues such as the eye wall or vitreous gel, as well as minimizing trauma to the cornea, conjunctiva, episclera, sclera, and intraocular structures including, but not limited to, the retina, the choroid, the ciliary body, and the lens, as well as the blood vessels and nerves associated with these structures. Features that may be beneficial in reducing the risk of intraocular infectious inflammation such as endophthalmitis and those that may reduce pain may also be included. It should be understood that the pharmaceutical formulations may be delivered to any suitable target location within the eye, e.g., the anterior chamber or posterior chamber. Furthermore, the pharmaceutical formulations may include any suitable active agent and may take any suitable form. For example, the pharmaceutical formulations may be a solid, semi-solid, liquid, etc. The pharmaceutical formulations may also be adapted for any suitable type of release. For example, they may be adapted to release an active agent in an immediate release, controlled release, delayed release, sustained release, or bolus release fashion.

**[0008]** In general, the devices described here include a housing sized and shaped for manipulation with one hand. The housing typically has a proximal end and a distal end, and an ocular contact surface at the housing distal end. A conduit in its pre-deployed state will usually reside within the housing. The conduit will be at least partially within the housing in its deployed state. In some instances, the conduit is slidably attached to the housing. The conduit will generally have a proximal end, a distal end, and a lumen extending therethrough. An actuation mechanism may be contained within the housing that is operably connected to the conduit and a reservoir for holding an active agent. A trigger may also be coupled to the housing and configured to activate the actuation mechanism. In one variation, a trigger is located on the side of the device housing in proximity to the device tip at the ocular contact surface (the distance between the trigger and device tip ranging between 5 mm to 50 mm, between 10 mm to 25 mm, or between 15 mm to 20 mm), so that the trigger can be easily activated by a fingertip while the device is positioned over the desired ocular surface site with the fingers of the same hand. In another variation, a trigger is located on the side of the device housing at 90 degrees to a measuring component, so that when the device tip is placed on the eye surface perpendicular to the limbus, the trigger can be activated with the tip of the second or third finger of the same hand that positions the device on the ocular surface. In one

variation, a measuring component is attached to the ocular contact surface. In some variations, a drug loading mechanism is also included.

**[0009]** The actuation mechanism may be manual, automated, or partially automated. In one variation, the actuation mechanism is a spring-loaded actuation mechanism. Here the mechanism may include either a single spring or two springs. In another variation, the actuation mechanism is a pneumatic actuation mechanism.

**[0010]** The application of pressure to the surface of the eye may be accomplished and further refined by including a dynamic resistance component to the injection device. The dynamic resistance component may include a slidable element coupled to the housing. In some variations, the slidable element comprises a dynamic sleeve configured to adjust the amount of pressure applied to the eye surface. In other variations, the dynamic resistance component is configured as an ocular wall tension control mechanism.

**[0011]** In use, the devices deliver drug into the intraocular space by positioning an ocular contact surface of the integrated device on the surface of an eye, where the device further comprises a reservoir for holding an active agent and an actuation mechanism, and applying pressure against the surface of the eye at a target injection site using the ocular contact surface, and then delivering an active agent from the reservoir into the eye by activating the actuation mechanism. The steps of positioning, applying, and delivering are completed with one hand. In some instances, a topical anesthetic is applied to the surface of the eye before placement of the device on the eye. An antiseptic may also be applied to the surface of the eye before placement of the device on the eye.

**[0012]** The application of pressure against the surface of the eye using the ocular contact surface may also generate an intraocular pressure ranging between 15 mm Hg to 120 mm Hg, between 20 mm Hg to 90 mm Hg, or between 25 mm Hg to 60 mm Hg. As further described below, the generation of intraocular pressure before deployment of the dispensing member (conduit) may reduce scleral pliability, which in turn may facilitate the penetration of the conduit through the sclera, decrease unpleasant sensation associated with the conduit penetration through the eye wall during an injection procedure and/or prevent backlash of the device.

**[0013]** The drug delivery devices, components thereof, and/or various active agents may be provided in systems or kits as separately packaged components. The systems or kits may



include one or more devices as well as one or more active agents. The devices may be preloaded or configured for manual drug loading. When a plurality of active agents is included, the same or different active agents may be used. The same or different doses of the active agent may be used as well. The systems or kits will generally include instructions for use. They may also include anesthetic agents and/or antiseptic agents.

#### BRIEF DESCRIPTION OF THE DRAWINGS

[0014] FIGS. 1A-1B depict front views of exemplary ocular contact surfaces.

[0015] FIGS. 2A-2C show side views of additional exemplary ocular contact surfaces that include measuring components.

[0016] FIGS. 3A1-3A3 and FIGS. 3B1-3B3 show side views of other exemplary ocular contact surfaces.

[0017] FIGS. 4A and FIGS. 4B1-4B2 depict perspective and front views of an exemplary flanged ocular contact surface.

[0018] FIGS. 5A1-5A2 and FIGS. 5B1-5B2 depict side and perspective views of exemplary flat and convex ocular contact surfaces.

[0019] FIGS. 6A1-6A2 and FIGS. 6B1-6B2 show side and front views of exemplary soft or semi-solid ocular contact surfaces.

[0020] FIGS. 7A1-7A2, FIGS. 7B1-7B2, FIGS. 7C1-7C2, and FIGS. 7D-7E show additional exemplary ocular contact surfaces, including ocular contact surfaces having a high-traction interface.

[0021] FIG. 8 illustrates how an exemplary measuring component works to retract the eyelid and measure a certain distance from the limbus.

[0022] FIGS. 9A-9C show exemplary arrangements of measuring components around an ocular contact surface.

[0023] FIGS. 10A-10C depict other exemplary measuring components and how they work to measure a certain distance from the limbus.

[0024] FIGS. 11A-11D show further exemplary measuring components.



- [0025] FIG. 12 shows an exemplary device that includes a marking tip member.
- [0026] FIG. 13 illustrates how marks made on the surface of the eye by an exemplary marking tip member can be used to position the device at a target injection site.
- [0027] FIGS. 14A-14C show perspective views of exemplary sharp conduits.
- [0028] FIGS. 15A1-15A2 show side views of exemplary bevel angles.
- [0029] FIGS. 16A-16D depict cross-sectional views of exemplary conduit geometries.
- [0030] FIG. 17 depicts a cross-sectional view of additional exemplary conduit geometries.
- [0031] FIGS. 18A-18C show side and cross-sectional views (taken along line A—A) of an exemplary flattened conduit.
- [0032] FIG. 19 shows an exemplary mechanism for controlling exposure of the conduit.
- [0033] FIG. 20 provides another exemplary conduit exposure control mechanism.
- [0034] FIG. 21 shows an exemplary device having a front cover and back cover.
- [0035] FIG. 22 illustrates how the device may be filled with a pharmaceutical formulation using an exemplary drug loading member.
- [0036] FIGS. 23A-23C depict other examples of drug loading members.
- [0037] FIGS. 24A-24D show an exemplary fenestrated drug loading member.
- [0038] FIGS. 25A-25B show an exemplary fenestrated drug loading member interfaced with a drug source.
- [0039] FIGS. 26A-26C depicts a side, cross-sectional view of an exemplary two-spring actuation mechanism.
- [0040] FIG. 27 is a side, cross-sectional view of another exemplary two-spring actuation mechanism.
- [0041] FIG. 28 depicts a perspective view of a device including a further example of a two-spring actuation mechanism in its pre-activated state.

[0042] FIG. 29 is a cross-sectional view of the device and two-spring actuation mechanism shown in FIG. 28.

[0043] FIG. 30 is a cross-sectional view of the device shown in FIG. 28 after the two-spring actuation mechanism has been activated.

[0044] FIGS. 31A-31C illustrate how the trigger in FIG. 28 actuates the first spring of the two-spring actuation mechanism to deploy the conduit.

[0045] FIGS. 32A-32C are expanded views that illustrate how release of the locking pins in FIG. 28 work to activate the second spring of the two-spring actuation mechanism.

[0046] FIGS. 33A-33B depict the device of FIG. 28 with an exemplary loading port.

[0047] FIG. 34 is a perspective view of an exemplary device with a pneumatic actuation mechanism.

[0048] FIGS. 35A-35B provide cross-sectional views of the device shown in FIG. 34. FIG. 35A show the pneumatic actuation mechanism in a pre-activated state. FIG. 35B shows the pneumatic actuation mechanism after deployment of the conduit.

[0049] FIG. 36 is a cross-sectional view of an exemplary device including a single spring actuation mechanism.

[0050] FIG. 37 is a cross-sectional view of the device shown in FIG. 36 that showing the single spring actuation mechanism after deployment of the conduit.

[0051] FIG. 38 is a side, cross-sectional view of an exemplary drug-loading piston.

[0052] FIGS. 39A-39I depict various views of exemplary device tips.

[0053] FIG. 40 shows an exemplary device with a sliding cap.

[0054] FIGS. 41A-41B provide cross-sectional views of another exemplary device having a two-spring actuation mechanism.

[0055] FIG. 42 depicts an enlarged sectional view an exemplary dynamic sleeve.



[0056] FIGS. 43A-43D illustrate an exemplary method of advancement of a dispensing member and drug injection.

[0057] FIGS. 44A-44D depict exemplary positional indicator components.

[0058] FIGS. 45A-45J show various aspects of exemplary fine sleeve mobility control components.

[0059] FIG. 46 is a graphic depiction of the amount of resistance force generated by a dynamic sleeve according to one variation.

### DETAILED DESCRIPTION

[0060] Described here are hand-held devices, methods, and systems for delivering, e.g., by injection, pharmaceutical formulations into the eye. The devices may integrate (combine) various features that may be beneficial in delivering the pharmaceutical formulations into the eye, e.g., in a safe, sterile, and accurate manner, into a single device. Thus, features that may aid appropriate placement on the eye, help positioning so that the intraocular space is accessed at the proper angle, adjust or control intraocular pressure, and/or help to minimize trauma to the sclera and intraocular structures, e.g., from the force of injection or penetration of the sclera itself, may be integrated into a single device. The devices, in whole or in part, may be configured to be disposable.

#### I. DEVICES

[0061] In general, the integrated devices described here include a housing sized and shaped for manipulation with one hand. The housing typically has a proximal end and a distal end, and an ocular contact surface at the housing distal end. A conduit in its pre-deployed state may reside within the housing. The conduit will be at least partially within the housing in its deployed state. In some variations, the conduit is slidably attached to the housing.

Additionally, the conduit will generally have a proximal end, a distal end, and a lumen extending therethrough. An actuation mechanism may be contained within the housing that is operably connected to the conduit and a reservoir for holding an active agent.

[0062] The devices or portions thereof may be formed from any suitable biocompatible material or combination of biocompatible materials. For example, one or more biocompatible polymers may be used to make, e.g., the device housing, ocular contact

surface, measuring component, etc. Exemplary biocompatible and non-biodegradable materials include without limitation, methylmethacrylate (MMA), polymethylmethacrylate (PMMA), polyethylmethacrylate (PEM), and other acrylic-based polymers; polyolefins such as polypropylene and polyethylene; vinyl acetates; polyvinylchlorides; polyurethanes; polyvinylpyrrolidones; 2-pyrrolidones; polyacrylonitrile butadiene; polycarbonates; polyamides; fluoropolymers such as polytetrafluoroethylene (e.g., TEFLON<sup>TM</sup> polymer); polystyrenes; styrene acrylonitriles; cellulose acetate; acrylonitrile butadiene styrene; polymethylpentene; polysulfones; polyesters; polyimides; natural rubber; polyisobutylene rubber; polymethylstyrene; silicone; and copolymers and blends thereof.

**[0063]** In some variations, the device or a portion of the device such as the drug reservoir, plunger, housing, ocular contact surface, or measuring component, is made of a material that includes a cyclic olefin series resin. Exemplary cyclic olefin resins include without limitation, commercially available products such as Zeonex® cyclo olefin polymer (ZEON Corporation, Tokyo, Japan) or Crystal Zenith® olefinic polymer (Daikyo Seiko, Ltd., Tokyo, Japan) and APEL<sup>TM</sup> cyclo olefin copolymer (COC) (Mitsui Chemicals, Inc., Tokyo, Japan), a cyclic olefin ethylene copolymer, a polyethylene terephthalate series resin, a polystyrene resin, a polybutylene terephthalate resin, and combinations thereof. In one variation, it may be beneficial to use a cyclic olefin series resin and a cyclic olefin ethylene copolymer that have high transparency, high heat resistance, and minimal to no chemical interaction with a pharmacological product such as a protein, a protein fragment, a polypeptide, or a chimeric molecule including an antibody, a receptor or a binding protein.

**[0064]** The cyclic olefin polymers or the hydrogenation products thereof can be ring-opened homopolymers of cyclic olefin monomers, ring-opened copolymers of cyclic olefin monomers and other monomers, addition homopolymers of cyclic olefin monomers, addition copolymers of cyclic olefin monomers and other monomers, and hydrogenation products of such homopolymers or copolymers. The above cyclic olefin monomers may include monocyclic olefin monomers, and polycyclic olefin monomers including bicyclic and higher cyclic compounds. Examples of the monocyclic olefin monomers suitable for the production of the homopolymers or copolymers of the cyclic olefin monomers are monocyclic olefin monomers such as cyclopentene, cyclopentadiene, cyclohexene, methylcyclohexene and cyclooctene; lower-alkyl derivatives thereof containing, as substituent groups, 1 to 3 lower alkyl groups such as methyl and/or ethyl groups; and acrylate derivatives thereof.



**[0065]** Examples of the polycyclic olefin monomers are dicyclopentadiene, 2,3-dihydrocyclopentadiene, bicyclo[2,2,1]-hepto-2-ene and derivatives thereof, tricyclo[4,3,0,1<sup>2,5</sup>]-3-decene and derivatives thereof, tricyclo[4,4,0,1<sup>2,5</sup>]-3-undecene and derivatives thereof, tetracyclo[4,4,0,1<sup>2,5</sup>,0<sup>7,10</sup>]-3-dodecene and derivatives thereof, pentacyclo[6,5,1,1<sup>3,6</sup>,0<sup>2,7</sup>,0<sup>9,13</sup>]-4-pentadecene and derivatives thereof, pentacyclo[7,4,0,1<sup>2,5,0</sup>,0<sup>8,13</sup>,1<sup>9,12</sup>]-3-pentadecene and derivatives thereof, and hexacyclo[6,6,1,1<sup>3,6</sup>,1<sup>10,13</sup>,0<sup>2,7</sup>,0<sup>9,14</sup>]-4-heptadecene and derivatives thereof. Examples of bicyclo[2,2,1]-hepto-2-ene derivatives include 5-methyl-bicyclo[2,2,1]-hepto-2-ene, 5-methoxy-bicyclo[2,2,1]-hepto-2-ene, 5-ethylidene-bicyclo[2,2,1]-hepto-2-ene, 5-phenyl-bicyclo[2,2,1]-hepto-2-ene, and 6-methoxycarbonyl-bicyclo[2,2,1]-hepto-2-ene. Examples of tricyclo[4,3,0,1<sup>2,5</sup>]-3-decene derivatives include 2-methyl-tricyclo[4,3,0,1<sup>2,5</sup>]-3-decene and 5-methyl-tricyclo[4,3,0,1<sup>2,5</sup>]-3-decene. Examples of tetracyclo[4,4,0,1<sup>2,5</sup>]-3-undecene derivatives include 10-methyl-tetracyclo[4,4,0,1<sup>2,5</sup>]-3-undecene, and examples of tricyclo[4,3,0,1<sup>2,5</sup>]-3-decene derivatives include 5-methyl-tricyclo[4,3,0,1<sup>2,5</sup>]-3-decene.

**[0066]** Examples of tetracyclo[4,4,0,1<sup>2,5</sup>,0<sup>7,10</sup>]-3-dodecene derivatives include 8-ethylidene-tetracyclo-[4,4,0,1<sup>2,5</sup>,0<sup>7,10</sup>]-3-dodecene, 8-methyl-tetracyclo-[4,4,0,1<sup>2,5</sup>,0<sup>7,10</sup>]-3-dodecene, 9-methyl-8-methoxy-carbonyl-tetracyclo[4,4,0,1<sup>2,5</sup>,0<sup>7,10</sup>]-3-dodecene, 5,10-dimethyl-tetracyclo[4,4,0,1<sup>2,5</sup>,0<sup>7,10</sup>]-3-dodecene. Examples of hexacyclo[6,6,1,1<sup>3,6</sup>,1<sup>10,13</sup>,0<sup>2,7</sup>,0<sup>9,14</sup>]-4-heptadecene derivatives include 12-methyl-hexacyclo[6,6,1,1<sup>3,6</sup>,1<sup>10,13</sup>,0<sup>2,7</sup>,0<sup>9,14</sup>]-4-heptadecene and 1,6-dimethyl-hexacyclo[6,6,1,1<sup>3,6</sup>,1<sup>10,13</sup>,0<sup>2,7</sup>,0<sup>9,14</sup>]-4-heptadecene. One example of the cyclic olefin polymer is an addition homopolymer of at least one cyclic olefin monomer or an addition copolymer of at least one cyclic olefin monomer and at least one other olefin monomer (for example, ethylene, propylene, 4-methylpentene-1, cyclopentene, cyclooctene, butadiene, isoprene, styrene, or the like). This homopolymer or copolymer can be obtained by polymerizing the above monomer or monomers, for example, while using as a catalyst a known catalyst which is soluble in a hydrocarbon solvent and is composed of a vanadium compound or the like and an organoaluminum compound or the like (Japanese Patent Application Laid-Open (Kokai) No. HEI 6-157672, Japanese Patent Application Laid-Open (Kokai) No. HEI 5-43663).

**[0067]** Another example of the cyclic olefin polymer is a ring-opened homopolymer of the above monomer or a ring-opened copolymer of the above monomers. It can be obtained by homopolymerizing the above monomer or copolymerizing the above monomers, for example,

while using as a catalyst a known catalyst such as (1) a catalyst composed of a halide or the nitrate of a platinum group metal such as ruthenium, rhodium, palladium, osmium or platinum and a reducing agent or (2) a catalyst composed of a compound of a transition metal such as titanium, molybdenum or tungsten and an organometal compound of a metal in one of Groups I to IV of the periodic table such as an organoaluminum compound or organotin compound (Japanese Patent Application Laid-Open (Kokai) No. HEI 6-157672, Japanese Patent Application Laid-Open (Kokai) No. HEI 5-43663).

**[0068]** The homopolymer or copolymer may contain unsaturated bonds. The homopolymer or copolymer may be hydrogenated using a known hydrogenation catalyst. Examples of the hydrogenation catalyst include (1) Ziegler-type homogeneous catalysts which are each composed of an organic acid salt of titanium, cobalt, nickel or the like and an organometal compound of lithium, aluminum or the like, (2) supported catalysts which are each composed of a carrier such as carbon or alumina and a platinum metal such as palladium or ruthenium supported on the carrier, and (3) catalysts which are each composed of a complex of one of the above-described platinum group metal (Japanese Patent Application Laid-Open (Kokai) No. HEI 6-157672).

**[0069]** In some variations, the device or a portion of the device such as the drug reservoir is made of a material that comprises a rubber. Examples of suitable rubber materials include butyl rubbers such as butyl rubber, chlorinated butyl rubber, brominated butyl rubber, and divinylbenzene-copolymerized butyl rubber; conjugated diene rubbers such as polyisoprene rubber (high to low cis-1,4 bond), polybutadiene rubber (high to low cis-1,4 bond), and styrene-butadiene copolymer rubber; and ethylene-propylene-diene terpolymer rubber (EPDM). Crosslinkable rubber materials may also be used, and may be made by kneading the above-described rubber materials together with additives such as a crosslinking agent, a filler and/or reinforcement, a colorant, or an age resister.

**[0070]** In some variations, the biocompatible material is a biodegradable polymer. Non-limiting examples of suitable biodegradable polymers include cellulose and ester, polyacrylates (L-tyrosine-derived or free acid), poly( $\beta$ -hydroxyesters), polyamides, poly(amino acid), polyalkanotes, polyalkylene alkylates, polyalkylene oxylates, polyalkylene succinates, polyanhydrides, polyanhydride esters, polyaspartimic acid, polylactic acid, polybutylene diglolate, poly(caprolactone), poly(caprolactone)/poly(ethylene glycol) copolymers, polycarbonate, L-tyrosin-derived polycarbonates, polycyanoacrylates,



polydihydropyrans, poly(dioxanone), poly-p-dioxanone, poly( $\epsilon$ -caprolactone-dimethyltrimethylene carbonate), poly(esteramide), polyesters, aliphatic polyesters, poly(etherester), polyethylene glycol/poly(orthoester) copolymers, poly(glutaric acid), poly(glycolic acid), poly(glycolide), poly(glycolide)/poly(ethylene glycol) copolymers, poly(lactide), poly(lactide-co-caprolactone), poly(DL-lactide-co-glycolide), poly(lactide-co-glycolide)/poly(ethylene glycol) copolymers, poly(lactide)poly(ethylene glycol) copolymers, polyphosphazenes, polyphosphesters, polyphosphoester urethanes, poly(propylene fumarate-co-ethylene glycol), poly(trimethylene carbone), polytyrosine carbonate, polyurethane, terpolymer (copolymers of glycolide lactide or dimethyltrimethylene carbonate), and combinations, mixtures or copolymers thereof.

**[0071]** Additives may be added to polymers and polymer blends to adjust their properties as desired. For example, a biocompatible plasticizer may be added to a polymer formulation used in at least a portion of a device to increase its flexibility and/or mechanical strength, or to provide color contrast with respect to the surface of the eye. In other instances, a biocompatible filler such as a particulate filler, fiber and/or mesh may be added to impart mechanical strength and or rigidity to a portion of a device.

**[0072]** The devices described here can be manufactured, at least in part, by injection or compression molding the above-described materials.

**[0073]** In some instances, it may be beneficial to include a removably attached or integrated viewing and/or magnifying element on the device. For example, a magnifying glass and/or illumination source such as a LED light may be removably attached to the device to facilitate the visualization of the tip of the device and the injection site. The improved visualization may help to more precisely and safely position the device at a target location, e.g., about 3.5 mm to 4 mm posterior to the corneo-scleral limbus, so that complications of intraocular injection such as retinal detachment, ciliary body bleeding, or trauma to the intraocular lens can be potentially avoided. The magnifying glass may be made from any suitable material, e.g., it may be made from any suitable non-resorbable (biodegradable) material previously described, but will typically be light-weight so that it does not affect the balance of the injection device. The magnifying glass and/or illumination source, e.g., the LED, may be disposable.

## Housing

[0074] The housing of the device generally contains the drug reservoir and actuation mechanism. In its first, non-deployed state (pre-deployed state), the conduit may reside within the housing. The housing may be of any suitable shape, so long as it allows grasping and manipulation of the housing with one hand. For example, the housing may be tubular or cylindrical, rectangular, square, circular, or ovoid in shape. In some variations, the housing is tubular or cylindrical, similar to the barrel of a syringe. In this instance, the housing has a length between about 1 cm and about 15 cm, between about 2.5 cm and about 10 cm, or about 4 cm and about 7.5 cm. For example, the housing may have a length of about 1 cm, about 2 cm, about 3 cm, about 4 cm, about 5 cm, about 6 cm, about 7 cm, about 8 cm, about 9 cm, about 10 cm, about 11 cm, about 12 cm, about 13 cm, about 14 cm, or about 15 cm. The surface of the housing may also be texturized, roughened, or otherwise modified in certain areas, e.g., with protrusions, ridges, etc., to aid the grip and or manipulation of the housing by the user.

[0075] The housing may be made from any suitable material. For example, and as previously stated, the components of the device may be made from any suitable biocompatible material or combination of biocompatible materials. Materials that may be beneficial in making the housing include, without limitation, a cyclic olefin series resin, a cyclic olefin ethylene copolymer, a polyethylene terephthalate series resin, a polystyrene resin, and a polyethylene terephthalate resin. In one variation, it may be beneficial to use a cyclic olefin series resin and a cyclic olefin ethylene copolymer that have a high transparency, a high heat resistance, and minimal to no chemical interaction with a pharmacological product such as a protein, a protein fragment, a polypeptide, or a chimeric molecule including an antibody, a receptor or a binding protein. Additional materials that may be beneficial in making the housing include, without limitation, fluoropolymers; thermoplastics such as polyetheretherketone, polyethylene, polyethylene terephthalate, polyurethane, nylon, and the like; and silicone. In some variations, the housing may be made from a transparent material to aid confirmation of conduit deployment and/or drug delivery. Materials with suitable transparency are typically polymers such as acrylic copolymers, acrylonitrile butadiene styrene (ABS), polycarbonate, polystyrene, polyvinyl chloride (PVC), polyethylene terephthalate glycol (PETG), and styrene acrylonitrile (SAN). Acrylic copolymers that may be useful include, but are not limited to, polymethyl methacrylate



(PMMA) copolymer and styrene methyl methacrylate (SMMA) copolymer (e.g., Zylar 631® acrylic copolymer).

### Ocular Contact Surfaces

[0076] The devices described herein generally include an atraumatic ocular contact surface at the distal end of the housing. In some variations, the ocular contact surface is fixedly attached to the housing proximal end. In other variations, the ocular contact surface is removably attached to the housing proximal end. The ocular contact surface will typically be sterile. In some instances, the ocular contact surface is disposable. In use, the ocular contact surface of the device is placed on the surface of the eye.

[0077] The ocular contact surface may be of any suitable configuration, e.g., size, shape, geometry, etc., as long as it allows atraumatic placement of the device on the ocular surface. In some variations, the ocular contact surface is ring-shaped (e.g., FIGS. 1A-1B). When the ocular contact surface takes the shape of a ring, it may have a diameter of about 0.3 mm to about 8 mm, about 1 mm to about 6 mm, or about 2 mm to about 4 mm. In other variations, the ocular contact surface is oval or circular in shape.

[0078] More specifically, as shown in the front views of FIGS. 1A-1B, the device tip comprises a ring-shaped ocular contact surface where the distance between the inner diameter and outer diameter of the ring forms a rim. In this instance, the ring-shaped ocular contact surface may be configured as having a wider ocular contact surface (10) (rim) and smaller internal opening (12) (FIG. 1A), or narrower ocular contact surface (14) (rim) with larger internal opening (16) (FIG. 1B). The dispensing member (conduit) may be an injection needle that is hidden inside and protected by the device tip. A membrane may also be provided that extends across the internal opening, and which may be flush with the ocular contact surface or recessed within the lumen of the device tip where the injection needle resides.

[0079] As shown in FIGS. 39A-39B, the tip of the dispensing member may be recessed relative to end of the device housing tip comprising the ocular contact surface in the resting state, so that when the device tip is placed in contact with any surface such as the skin or the eye wall, the tip of the dispensing member is separated from the surface by a distance marked with arrows in FIG. 39B. This distance may ensure that the dispensing member tip does not come in direct contact with any surface prior to the injection procedure, which prevents

accidental bacterial contamination of the dispensing member from sources such as skin secretions, ocular secretions or tears, and minimizes the risk of introducing intraocular infectious agents during the intraocular injection procedure that may cause endophthalmitis.

**[0080]** In some variations, the tip of the dispensing member is recessed relative to, and is separated from the closest end of the device housing by a distance ranging from about 0.01 mm to about 10 mm, from about 0.1 mm to about 5 mm, or from about 0.5 mm to about 2 mm.

**[0081]** In another variation, the ocular contact surface of the device tip that comes in direct contact with the eye surface is ring-shaped, where there is a clearing between the internal wall of the device housing and the dispensing member of about 360 degrees, which is marked by arrows in FIG. 39C. Here, if the ring-shaped ocular interface surface becomes contaminated with an infectious agent and is placed onto the eye surface, the dispensing member will come in contact and penetrate through the eye surface that is separated from the contaminated device tip by the area of clearing, which prevents accidental bacterial contamination of the dispensing member and minimizes the risk of introducing intraocular infection that may cause endophthalmitis. In contrast, the lack of such clearing around the dispensing member, as shown in FIG. 39D, may allow accidental infectious contamination of the device tip at the site of injection.

**[0082]** In some variations, there is a clearing between the internal wall of the device housing and the dispensing member ranging from about 0.1 mm to about 5 mm, from about 0.3 mm to 3 mm, or from about 0.5 mm to about 2 mm.

**[0083]** In other variations, there is a solid membrane or partition (105) that separates the tip of the dispensing member (107) from the external environment, as shown in FIG. 39E, where the membrane or partition may be water-impermeable and/or be air-impermeable. The membrane or partition may ensure that there is no air movement in or out of the device creating an air seal and maintaining a certain constant air pressure inside the device.

**[0084]** Furthermore, the membrane or partition may ensure that the dispensing member tip does not come in contact with any source of accidental bacterial contamination such as tears and ocular secretions prior to the injection procedure, which prevents accidental bacterial contamination of the dispensing member and minimizes the risk of introducing intraocular infection during the intraocular injection procedure that may cause endophthalmitis.



**[0085]** The membrane or partition that separates the tip of the dispensing member from the end of the device housing may comprise a material selected from the group consisting of biocompatible and non-biodegradable materials including without limitation, methacrylate (MMA), polymethacrylate (PMMA), polyethylmethacrylate (PEM), and other acrylic-based polymers; polyolefins such as polypropylene and polyethylene; vinyl acetates; polyvinylchlorides; polyurethanes; polyvinylpyrrolidones; 2-pyrrolidones; polyacrylonitrile butadiene; polycarbonates; polyamides; fluoropolymers such as polytetrafluoroethylene (e.g., TEFLON<sup>TM</sup> polymer); or fluorinated ethylene propylene (FEP); polystyrenes; styrene acrylonitriles; cellulose acetate; acrylonitrile butadiene styrene; polymethylpentene; polysulfones; polyesters; polyimides; natural rubber; polyisobutylene rubber; polymethylstyrene; silicone; derivatives and copolymers and blends thereof.

**[0086]** In some variations, the membrane or partition (30) may be recessed inside the device tip so that when the device tip is placed in contact with any surface such as the skin or the eye surface, the said membrane or partition is separated from the said surface by a distance marked with arrows, as depicted in FIG. 39E. The distance may ensure that the dispensing member tip (31) does not come in direct contact with any surface prior to the injection procedure, which prevents accidental bacterial contamination of the dispensing member from sources such as skin secretions, ocular secretions or tears, and minimizes the risk of introducing intraocular infection during the intraocular injection procedure that may cause endophthalmitis.

**[0087]** The membrane or partition may be recessed relative to and separated from the end of the device housing at the ocular interface by a distance ranging from about 0.01 mm to about 10 mm, from about 0.1 mm to about 5 mm, or from about 0.5 mm to about 2 mm.

**[0088]** In further variations, a measuring component (32) (further described below) may be recessed relative to the end of the device housing (33) at the ocular contact surface (FIGS. 39F-39H), so that when the device tip (34) comes in contact with the eye surface (35) (FIG. 39I), the measuring component (32) does not come in contact with the eye surface (35). This configuration may minimize the risk of trauma to the delicate tissue covering the eye surface such as the non-keratinizing epithelia of the cornea and conjunctiva. Avoiding direct contact between the measuring member and the ocular surface may be beneficial in minimizing the risk of ocular surface trauma such as corneal or conjunctival abrasion, which prevents further serious complications such as bacterial infection including corneal ulcer. In alternative

variations, the tip of the measuring member (32) may be angled away or towards the eye (FIGS. 39G and 39H, respectively). The measuring component may be recessed relative to the end of the device housing by a distance ranging from about 0.01 mm to about 5 mm, from about 0.1 mm to about 3 mm, or from about 0.5 mm to about 2 mm.

**[0089]** In some variations, as shown in FIGS. 2A-2C, the device tip may also comprise a ring-shaped ocular contact surface and a measuring means that helps to determine the proper location of the injection site at a certain distance relative to and perpendicular to the corneo-scleral limbus. In one variation, the measuring component (20) is located on one side of the device tip (22). In another variation, more than one measuring component is located on more than one side of the device tip. Here the tip of the measuring component is flat (FIG. 2C) and does not substantially protrude above the ocular contact surface. In other variations, the tip of the measuring component is raised (FIGS. 2A-2B) above the ocular contact surface, which enables it to prevent the eyelid from sliding over and on top of the measuring component, thus preventing the eyelid from coming into contact with the sterile ocular contact surface of the device tip or the dispensing member. This in turn may reduce the risk of accidental contamination and intraocular infection during the injection procedure.

**[0090]** In other variations, the ocular contact surface comprises a flange (e.g., FIGS. 3A1-3A3, FIGS. 3B1-3B3, FIG. 4A, and FIGS. 4B1-4B2). The flange may provide an expanded contact surface between the device tip and the eye surface, thus increasing the stability of the device when it is positioned on the ocular surface, and decreasing the pressure force per unit area of the device-ocular interface. Reducing the pressure force per unit area of the device-ocular interface in turn may reduce the potential for conjunctival damage by the device tip when it is pressed against the eye wall. Avoiding such conjunctival damage is desirable because the conjunctiva is covered by delicate non-keratinizing epithelium containing multiple sensory nerve endings and pain receptors.

**[0091]** In some variations, the flange may have thin edges that come in contact with the ocular surface, and which allows the eye lid to travel over and on top of the flange, but prevents the eye lid from coming in contact with the sterile ocular contact surface of the device tip. The ocular contact surface may also be a ring-shaped flange (e.g., FIGS. 4A and 4B1-4B2). Such a ring-shaped flange may also prevent the eye lid from coming in contact with the sterile ocular contact surface of the device tip.



[0092] More specifically, as shown in FIG. 3, the flange may have a thin edge (FIG. 3A1), which allows the eye lid to slide over the said flange and come in contact with the shaft of the device tip. In an alternative variation, the said flange may be thick (FIG. 3B1) in order to prevent the eye lid from sliding over it and keeping it from coming in contact with the device shaft, thus preventing inadvertent contamination of the injection site. When the flange at the ocular contact surface of the device tip is thick, its edges, such as those at its ocular surface may be rounded in order to prevent accidental damage to the ocular surface tissues such as the conjunctiva that is covered with delicate non-keratinizing epithelium rich in nerve endings and pain receptors. In alternative variations of the device tip, the ocular contact interface may be flat (FIGS. 3A1 and 3B1), convex (FIGS. 3A2 and 3B2), or concave (FIGS. 3A3 and 3B3) to reduce the chance of accidental damage to ocular surface tissues such as the conjunctiva while providing a means of applying a force onto the eye wall and increasing intraocular pressure in order to facilitate the needle penetration through the eye wall, as well as to partially immobilize the eye during the injection procedure by providing the traction interface of the ocular contact surface. FIGS. 4A and 4B1-4B2 illustrate perspective and front views of a flanged ocular contact surface.

[0093] In yet further variations, the ocular contact surface may be configured to be flat, convex, concave, or slanted (e.g., FIGS. 5 and 7). In FIGS. 5A1-5A2, the device tip has a flat ocular contact surface. In an alternative variation, the device tip has a protruding or convex ocular contact surface (FIGS. 5B1-5B2), which may improve contact between the internal opening of the device tip and the ocular surface when the device tip is pressed against the eye wall resulting in eye wall indentation. In yet another variation, the ocular contact surface of the device tip is indented or concave, which reduces the risk of accidental damage to the ocular surface tissue such as the conjunctiva. Such configurations of the ocular contact surface of the device tip may reduce the chance of accidental damage to ocular surface tissues, such as the conjunctiva, while providing a means of applying a pressure force onto the eye wall and increasing the intraocular pressure in order to facilitate the needle penetration through the eye wall, as well as to partially immobilize the eye during the injection procedure by providing the device-ocular surface traction interface.

[0094] More specifically, as shown in FIG. 7, the ocular contact surface may be flat and perpendicular to the long axis of the said device (FIGS. 7A1-7A2), or is flat and slanted relative to the long axis of the said device (7B1-7B2) (e.g., oriented at an angle other than 90

degrees, such as from about 45 degrees to about 89 degrees relative to the long axis of the device), or is convex and perpendicular to the long axis of the device (FIG. 7C1), or is convex and slanted relative to the long axis of the device (FIG. 7C2), or is rounded (FIG. 7D), or is oval (FIG. 7E). In one variation, the ocular interface is rounded or oval (e.g., similar to the tip of a Q-tip). The thickness of the ocular contact surface may be from about 0.01 mm to about 10 mm, from about 0.05 mm to about 5 mm, or from about 0.1 mm to about 2 mm.

**[0095]** The ocular contact surface may include one or more features that help to stabilize it on the eye surface. For example, in one variation, the ocular contact surface comprises a plurality of traction elements, e.g., bumps, ridges, etc., that increase surface traction of the ocular contact surface on the eye surface without being abrasive. Such an ocular contact surface may provide a medium- or high-traction interface to stabilize the device on the surface of the eye and prevent it from moving during intraocular drug delivery. In another variation, the ocular contact surface includes an adherent interface such as a suction mechanism. Varying the type of material used to make the ocular contact surface may also help prevent its slippage on the ocular surface.

**[0096]** The materials used to make the ocular contact surface may also help to prevent abrasion, scratching, or irritation of the eye surface. Exemplary non-abrasive materials that may be employed include without limitation, nylon fiber, cotton fiber, hydrogels, spongiform materials, styrofoam materials, other foam-like materials, silicone, plastics, PMMA, polypropylene, polyethylene, fluorinated ethylene propylene (FEP), and polytetrafluoroethylene (PTFE). These materials may be smooth-hard, semi-hard, or soft, and may be beneficial in preventing conjunctival abrasion, subconjunctival hemorrhage during transcleral needle deployment, or other accidental trauma to the ocular surface tissues (FIG. 6). Materials typically used in contact lens manufacturing may also be employed.

**[0097]** In some variations, the edges of the ocular contact surface are also rounded to prevent accidental damage to the ocular surface tissues such as the conjunctiva that is covered with delicate non-keratinizing epithelium rich in nerve endings and pain receptors. In this instance, as shown in FIG. 6, the ocular contact surface may have a circumference corresponding to the circumference of the device tip (FIGS. 6A1-6A2). In other variations, the circumference of the ocular contact surface may protrude beyond the circumference of the shaft of the device tip, thus forming a flange (FIGS. 6B1-6B2). The flange may increase the



ocular contact surface of the device tip while maintaining the slim profile of the shaft of the tip, enabling its easy insertion into the interpalprebral fissure of the eye.

**[0098]** The ocular contact surface may also provide an interface surface that is pliable or deformable, and which conforms to the surface of the eye when placed against the said eye surface during the intraocular drug delivery procedure. The surface of the eye that comes in direct contact with the said interface surface of the disclosed device includes, but is not limited to, the surface of the eye over the pars plana region defined as the circumferential area between about 2 mm and 7 mm posterior to and surrounding the limbus, or the corneo-scleral limbal area between about 2 mm anterior and about 2 mm posterior to and circumferential to the limbus. The interface surface that conforms to the curvature of the surface of the eye may enable the formation of an optimal contact interface between the device and the eye, and may ensure sterility of the intraocular drug delivery process and immobilization of the eye, which in turn may enhance the safety of the injection procedure. Examples of ocular interface materials for the device are those that are generally able to conform to the surface of the eye (that is deformable or pliable) particularly to the curvature of the external surface of the eye in the area of pars plana about 2-5 mm posterior to the corneo-scleral limbus for intravitreal drug application, as well as to the area of the corneo-scleral limbus for anterior chamber drug applications. As previously stated, materials that are non-abrasive to the non-keratinizing conjunctival and corneal epithelium of the ocular surface may be used. Specifically, the materials and their configurations (e.g., foam, braid, knit, weave, fiber bundle, etc.), may include those capable of forming medium- or high-traction surfaces (e.g., hydrogels or cotton) that enable immobilization of the eye globe during the injection procedure.

**[0099]** In some variations, the material of the ocular contact surface changes its properties upon contact with fluid, e.g., by reducing its traction coefficient such as in cotton fiber, which may reduce the risk of conjunctival abrasion upon contact of the ocular contact surface with the eye surface. In other variations, the material comprising ocular contact surface does not change its physical and chemical properties when exposed to fluid that covers the surface of the eye such as tears.

**[0100]** The ocular contact surfaces described here may be beneficial in preventing conjunctival and/or episcleral bleeding during intraocular needle injection. For example, a device comprising a ring-shaped ocular interface may be pressed against the eye wall, which

in turn applies pressure to the conjunctival and episcleral vessels, thereby reducing blood flow therethrough. Given the reduced blood flow through these vessels, the risk of subconjunctival bleeding during intraocular injection procedure may be reduced. Following the completion of intraocular drug application, the needle is withdrawn, but the ring-shaped tip may remain pressed against the eye wall, thus applying continuous pressure onto the conjunctival and episcleral vessels and further reducing the risk of bleeding and/or minimizing the extent of bleeding.

**[0101]** In some variations, the device comprises an ocular contact surface that functions as a drug reservoir. Here a drug may be incorporated into, or coated on, the material of the ocular contact surface. The drug may then diffuse, leech, etc., from the ocular contact surface onto the surface of the eye. Exemplary materials for inclusion of drugs are hydrogels and their derivatives.

**[0102]** The ocular contact surface may also cover the dispensing member (conduit) such as an injection needle (e.g., it may be a cap that entirely covers the needle), which may enable the injector to apply pressure onto the eye by pressing the tip (e.g., the distal end of the cap) against the eye wall. This in turn may increase the intraocular pressure before the needle comes in contact with the eye wall and, thus, may facilitate needle penetration because the eye wall is more taut in comparison to an eye wall being penetrated by a needle on a conventional syringe. Needle penetration is typically more difficult with a conventional syringe because the lower intraocular pressure that is generated makes the eye wall more deformable and mobile. In addition, the device tip that covers the dispensing member (conduit), such as an injection needle, may also protect the said dispensing member from being contaminated by its accidental contact with eye lids.

#### Intraocular Pressure Control Mechanisms (Ocular Wall Tension Control Mechanisms)

**[0103]** The control of intraocular pressure (IOP) during the drug delivery procedure, e.g., intraocular injection or intravitreal injection, may be beneficial. The application of limited intraocular pressure before deployment of the dispensing member (conduit) may reduce scleral pliability, which in turn may decrease any unpleasant sensation on the eye surface during an injection procedure and/or prevent backlash of the device. The term “backlash” typically refers to the inability of the conduit to smoothly penetrate the eye wall due to scleral



pliability and elasticity, which makes the sclera indent to a certain point and push the conduit and device backwards before the conduit penetrates into and through the sclera. Accordingly, the devices described here may include one or more IOP control mechanisms, also referred to herein as ocular wall tension control mechanisms. This is because ocular wall tension is proportionally related to, and determined in part, by intraocular pressure. Other factors that may effect wall tension are scleral thickness and rigidity, which can be variable due to patient age, gender, and individual variations.

**[0104]** The IOP mechanisms may control IOP during the placement and positioning of the device tip at the target location on the ocular surface, and/or intraocular or intravitreal positioning of the dispensing member (conduit) during intraocular or intravitreal injection of a drug. For example, the IOP mechanisms may control IOP prior to and during the intraocular or intravitreal positioning of a dispensing member being used for trans-scleral or trans-corneal penetration. Once penetration of the ocular surface by the dispensing member occurs, IOP will typically decrease. This decrease in IOP may occur immediately after penetration of the ocular surface by the dispensing member.

**[0105]** In some variations, the IOP control mechanisms allow (enable) the devices to generate an IOP between 15 and 120 mm Hg during the placement and positioning of the device tip at a target location on the ocular surface, and/or intraocular positioning of the dispensing member. In other variations, the IOP control mechanisms allow (enable) the devices to generate an IOP between 20 and 90 mm Hg during the placement and positioning of the device tip at a target location on the ocular surface, and/or intraocular positioning of the dispensing member. In yet further variations, the IOP control mechanisms allow (enable) the devices to generate an IOP between 25 and 60 mm Hg during the placement and positioning of the device tip at a target location on the ocular surface, and/or intraocular positioning of the dispensing member.

**[0106]** The IOP control mechanisms may also allow (enable) the devices to maintain the IOP between 10 and 120 mm Hg, or between 15 and 90 mm Hg, or between 20 and 60 mmHg during any duration of time of the intraocular injection procedure. In some variations, the drug injection rate is slowed or completely aborted by the device if the intraocular pressure exceeds a certain predetermined value, for example 120 mm Hg, or 60 mm Hg, or 40 mm Hg. Here the IOP control mechanism may be configured to detect a IOP level during the intraocular drug injection of, e.g., 90 mmHg, or 60 mm Hg, or 40 mm Hg.

[0107] The IOP control mechanism may include a spring, or it may comprise a mechanical or an electrical control mechanism. In general, the IOP control mechanism will be configured to balance the frictional forces of the injection plunger and fluid injection resistance pressure (force required to push fluid through the needle into the pressurized eye fluids). The IOP control mechanisms may be coupled to the device housing and actuation mechanism in a manner that allows automatic adjustment of the force of dispensing member deployment and plunger advancement. That is, the IOP control mechanism may be configured to effect a predetermined level of force of the dispensing member and a predetermined intraocular pressure level. Again, use of the IOP control mechanisms may generate higher than the resting IOP prior to dispensing member deployment so that scleral elasticity and the potential for device backlash is decreased, and to facilitate scleral penetration by the dispensing member.

[0108] In one variation, the IOP control mechanism is a pressure relief valve that bypasses the injection stream once a maximum pressure is reached. In another variation, the IOP mechanism is a pressure accumulator that dampens the IOP within a specified range. Some variations of the IOP control mechanism may include a pressure sensor. In yet another variation, the IOP control mechanism includes a slidable cap that covers the dispensing member prior to its deployment, but which may slide or retract along the surface of the device housing to expose, deploy, or advance the dispensing member e.g., upon attainment of a predetermined IOP level. Sliding of the cap may be manually adjustable, e.g., using a dial, or automatically adjustable, step-wise, or incremental in nature. For example, as shown in FIG. 40, integrated injection device (500) includes, among other elements, a cap (502), a stop (504), a trigger (506), a spring (508), a plunger (510), a seal (512), a drug reservoir (514), a needle (516), and a syringe (518). In use, when cap (502) is placed against the ocular surface and pressure applied against the ocular surface, cap (502) slidably retracts proximally (in the direction of the arrow) to stop (504) as the syringe (518) and needle (516) are advanced. The trigger (506), e.g., a lever, may then be depressed to release spring (508), which advances plunger (510) and seal (512) to inject drug from the drug reservoir (514) through needle (516). Once the drug is injected, cap (502) slides back over the needle (516).

[0109] A locking mechanism may also be used to prevent sliding of the cap, cover or ocular contact surface, or prevent deployment of the dispensing member until a predetermined IOP is reached. The locking mechanism may also be used to prevent sliding



of the cap, cover, or ocular contact surface if a predetermined IOP is not reached. For instance, the locking mechanisms included on the devices described here that include a slidable cover, cap, etc., may be released manually or automatically when the IOP reaches a predetermined level, such as between 20 mm Hg and 80 mm Hg. Such locking mechanisms may include without limitation, high traction surfaces, locking pins, interlocking raised ridges, or any other type of locking mechanism that prevents the tip of the device, e.g., the cap or cover of the device, from sliding and thus exposing the needle.

**[0110]** In yet further variations, the IOP control mechanism includes a high-traction surface or raised ridges on the cap, cover, or ocular contact surface situated over the dispensing member. Such features may be disposed on the inner surface of the cap, cover, or ocular contact surface and configured so that upon sliding in the proximal direction, the high-traction surface or raised ridges mate with corresponding structures (e.g., crimps, dimples, protrusions, other raised ridges) on the surface of the device housing or other appropriate device component to provide resistance of the cap, cover, or ocular contact surface against the eye wall (thus increasing ocular wall tension and IOP). In this instance, the IOP control mechanism comprises a dynamic resistance component, as further described below. As stated above, the cap, cover, or ocular contact surface may be configured so that sliding is manually or automatically adjustable, step-wise, or incremental in nature. When raised ridges are employed, any suitable number may be used, and they may be of any suitable size, shape, and geometry. For example, the raised ridges may be circumferentially disposed within the cap, cover, or ocular contact surface. In some instances, the raised ridges are configured with surfaces of differing slope. For example, the distal surface may be configured to be steeper than the proximal surface. With this design, incremental sliding and incremental increases in IOP may be generated when the cap, cover, or ocular contact surface is slid proximally, but sliding of the cap, cover, or ocular contact surface back over the dispensing member may also be accomplished due to the decreased slope of the proximal ridge surface.

#### Dynamic Resistance Component

**[0111]** The application of pressure to the surface of the eye may be accomplished and further refined by including a dynamic resistance component to the injection device. The dynamic resistance component may include a slidable element coupled to the housing. In some variations, the slidable element comprises a dynamic sleeve configured to adjust the

amount of pressure applied to the eye surface, as further described below. As previously stated, certain variations of the ocular wall tension control mechanism function as dynamic resistance components.

**[0112]** The dynamic resistance component may also be configured as a dynamic sleeve. Similar to the slidable cap previously described, the dynamic sleeve may be configured to increase intraocular pressure and tension of the eye wall prior to needle injection. However, the dynamic sleeve is capable of being manually manipulated to thereby adjust the amount of pressure applied on surface of the eye (and thus, the amount of eye wall tension). Having the ability to manually adjust the applied pressure may allow the injector (user) to have improved control of the injection site placement and the injection angle, and also enhances the user's ability to stably position the device on the ocular surface prior to needle deployment. In general, the dynamic sleeve is designed to enable the user to precisely position the device tip at the targeted site on the eye surface and to firmly press the device tip against the eye wall to increase wall tension and intraocular pressure. The dynamic sleeve may be used to raise intraocular pressure to a predetermined level, as described above, prior to the initiation of sleeve movement and needle deployment. It should be understood that the terms "dynamic sleeve," "sleeve," "dynamic sleeve resistance control mechanism," and "sleeve resistance mechanism" are used interchangeably throughout. The dynamic sleeve will generally be configured such that when the user exerts a pulling force (e.g., retraction) on the sleeve, this movement may facilitate needle exposure and reduce the amount of pressure force (down to 0 Newton) ("N" refers to the unit of force "Newton") needed to be applied to the eye wall in order to slide the sleeve back and expose the needle. The dynamic sleeve may also be configured such that when the user exerts a pushing force (e.g., advancement) on the sleeve, this movement may counteract and impede needle exposure, which may allow the device tip to apply increased pressure to the eye wall prior to the initiation of sleeve movement and needle exposure.

**[0113]** Some variations of the dynamic sleeve provide a variable force that follows a U-shaped curve, as described further in Example 1 and FIG. 46. Here the highest resistance is encountered at the beginning and the end of dynamic sleeve movement along the housing with decreased resistance between the start and end points of dynamic sleeve travel. In use, this translates to having an initial high-resistance phase (upon initial placement on the eye wall) followed by a decrease in resistance to sleeve movement during needle advancement



into the eye cavity. When the needle is fully deployed, the dynamic sleeve will typically be at the end of its travel path, and increased resistance would again be encountered. This increase in resistive force allows the sleeve to come to a smooth, gradual stop (instead of an abrupt hard stop at the end point) to minimize the risk of transmitting damaging amounts of force to the inert eye wall (which in turn minimizes the risk of causing discomfort or injury to the eye). Here an exemplary dynamic sleeve may be configured to be tapered at the proximal end and distal end. Referring to the sectional view in FIG. 42, integrated injection device (42) includes a housing (44), a resistance band (46) wholly or partially surrounding the housing, and a dynamic sleeve (48) that can be slidably advanced and retracted upon the housing (44). The dynamic sleeve (48) has a proximal end (50) and a distal end (not shown) that are tapered. The tapered ends may provide higher traction at the beginning and the end of the dynamic sleeve travel path along the device housing (44) (that is at the beginning and end of needle deployment). The taper at the proximal end (50) provides higher traction and resistance at the beginning of dynamic sleeve movement when it contacts resistance band (46). The thickness of the resistance band (46) may be varied to adjust the amount of resistance desired. Upon reaching the wider middle segment (52), lower-traction and lower resistance movement is encountered, followed by higher traction and higher resistance at the end of needle deployment as the taper at the distal end of the dynamic sleeve is reached. As the dynamic sleeve becomes progressively more tapered at the distal end, more traction is produced against the device housing until it gradually comes to a complete stop. Instead of both ends being tapered, in some variations one of the proximal end and distal end of the dynamic sleeve may be tapered.

**[0114]** Variable traction force may also be provided by components such as circular raised bands or ridges on the outside surface of the device tip. These components may provide counter-traction when approximated against another circular raised band or ridge on the inside surface of the movable dynamic sleeve (inner bands or ridges). When the outer and inner bands or ridges are in contact with each other before the dynamic sleeve begins to move, they generate high traction and high resistance to dynamic sleeve movement. Once the dynamic sleeve starts to move, the raised band on the outside of the device housing moves past the raised band on the inside of the dynamic sleeve, which may result in a rapid decrease in resistance to dynamic sleeve movement and, therefore, decreased pressure on the eye wall by the device tip. The shape of the raised interlocking bands or ridges will generally

determine the shape of resistance decrease. For example, the resistance decrease may follow a sine-shaped profile.

[0115] In another variation, the dynamic sleeve may generate a force that continuously decreases from its highest point before needle deployment (when the dynamic sleeve completely covers the needle), to its lowest point when the dynamic sleeve begins to move to expose the needle tip. Here the force remains low until the end of dynamic sleeve travel and complete needle deployment. This pattern of resistance decrease may follow a sine-shaped curve.

[0116] Slidable advancement of the dynamic sleeve may generate a force between itself and the housing ranging from 0 N to about 2 N. In some instances, slidable advancement of the dynamic sleeve generates a force between itself and the housing ranging from about 0.1 N to about 1 N.

#### Measuring Components

[0117] The devices described here may include a measuring component that may be useful in determining the location of the intraocular injection site on the eye surface. Integrated devices will generally include a measuring component. The measuring component may be fixedly attached or removably attached to the ocular contact surface. As previously stated, the measuring component may be raised above the ocular surface so that it prevents the eye lid from coming in contact with the sterile ocular contact surface of the device tip (e.g., FIGS. 2A-2B and 8). The specific configuration of the measuring component may also help to minimize the risk of inadvertent contamination of the sterile drug dispensing member (conduit) such as an injection needle. Such contamination may result from various causes such as the sterile needle coming in inadvertent contact with an eyelid or other non-sterile surface. The measuring components may also be colored in a manner to provide color contrast against the surface of the eye including the conjunctiva, the sclera, and the iris.

[0118] In general, the measuring component will enable the intraocular injection site to be more precisely placed at a specific distance from, and posterior or anterior to, the corneal-scleral junction termed "the limbus." In some variations, the measuring component may provide for placement of the intraocular injection site from about 1 mm to about 5 mm, from about 2 mm to about 4.5 mm, or from about 3 mm to about 4 mm, from and posterior to the limbus. In another variation, the measuring component may provide for placement of the



intraocular injection site from about 2 mm to about 5 mm posterior to the limbus, or about 3.5 mm posterior to the limbus. In other variations, the measuring component may provide for placement of the intraocular injection site from within about 3 mm or about 2 mm, from and anterior to, the limbus, or between about 0.1 mm and about 2 mm from and anterior to the limbus. In one variation, the measuring component provides for placement of the intraocular injection site between about 1 mm anterior to the limbus and about 6 mm posterior to the limbus. In another variation, the measuring component provides for placement of the intraocular injection site between about 3 mm to about 4 mm posterior to the limbus.

**[0119]** The measuring components may have any suitable configuration. For example, the measuring components may be located on one side of the ocular contact surface or on more than one side of the ocular contact surface (e.g., FIGS. 9, 10, and 11). Here, when the tip of the measuring component is placed right next to the corneo-scleral limbus, the site of the intraocular needle injection is placed at a particular distance from the limbus, e.g., between about 3 mm and about 4 mm posterior to the limbus.

**[0120]** In alternative variations, the measuring component comprises one or more members (e.g., FIGS. 9, 10, and 11). These members may radially extend from the ocular contact surface. Having more than one member comprise the measuring component may be beneficial in ensuring that the distance between the limbus and injection site is measured perpendicular to the limbus and not tangentially as it may be the case when the measuring means comprise a single member. When the tips of all members comprising the measuring component are aligned along the corneo-scleral limbus, the site of the intraocular needle injection is placed at a particular distance from the limbus, such as between about 3 mm and about 4 mm posterior to the limbus.

**[0121]** More specifically, as shown in FIG. 8, the device tip having an ocular contact surface comprises a measuring component (80) that enables the determination of the injection site at a certain distance relative to the corneo-scleral limbus. As previously stated, in one variation the measuring component is located on one side of the device tip. In another variation, more than one measuring component is located on more than one side of the device tip. In yet further variations, the tip of the measuring component may be raised, bent, etc., which prevents the eye lid from sliding over the measuring component and coming in accidental contact with the dispensing member (conduit) of device. Also in FIG. 8, the dispensing member (conduit) is shown as being completely shielded inside the device tip.

[0122] FIG. 9 provides further detail about another variation of the measuring component. Here the device tip comprises a ring-shaped ocular contact surface (90) and a measuring component (91) that enables the determination of the injection site at a certain distance relative to the corneo-scleral limbus. The outer circumference of the device tip that comes into contact with the surface of the eye has, e.g., a ring shaped ocular interface, and the dispensing member such as an injection needle may be hidden inside and protected by the device tip. In FIG. 9, the measuring components (91) are located on one side of the device tip (FIGS. 9A-9B) or on more than one side of the device tip (FIG. 9C). Thus, when the tip of the measuring component is placed next to the corneo-scleral limbus, the site of intraocular needle injection is placed at a specific distance from the limbus, such as between about 3 mm and about 4 mm posterior to the limbus. Any suitable number of measuring components may be provided on the device tip, e.g., attached to the ocular contact surface. When a plurality of measuring components are used, they may be arranged around the ocular contact surface in any suitable fashion. For example, they may be circumferentially disposed around the ocular contact surface or on one side of the ocular contact surface. They may be equally or unequally spaced around the circumference of the ocular surface. In other variations, the measuring components may be symmetrically spaced or asymmetrically spaced around the circumference of the ocular contact surface. These configurations may be beneficial in allowing the injector to rotate the device along its long axis.

[0123] FIGS. 10A-10C provide additional views of measuring components that are similar to those shown in FIGS. 9A-9C. In FIG. 10, a ring-shaped ocular contact surface (93) is shown having a measuring component (93) that enables the determination of the injection site at a certain distance relative to and perpendicular to the corneo-scleral limbus (94). The measuring components are depicted on one side of the device tip, or in another variation, on more than one side of the device tip. Again, the measuring components may comprise one or more members. Having more than one member comprise the measuring component may be beneficial in ensuring that the distance between the limbus and injection site is measured perpendicular to the limbus and not tangentially as it may be the case when the measuring component comprise a single member. When the tips of all members comprising the measuring component are aligned along the corneo-scleral limbus, the site of the intraocular needle injection is placed at a particular distance from the limbus, such as between about 3 mm and about 4 mm posterior to the limbus.



**[0124]** More than one measuring component is also shown in FIGS. 11A-11D. Here the measuring components (95) are depicted as extending from a common attachment point (96) on the ocular contact surface. When the tips of all members comprising the said measuring component are aligned along the corneo-scleral limbus, the site of the intraocular needle injection is placed at a particular distance from the limbus, such as between about 3 mm and about 4 mm posterior to the limbus.

**[0125]** Alternatively, the measuring components may be configured as one or more flexible measuring strips. Flexible materials that may be used to make the measuring strips include flexible polymers such as silicones. As shown in FIG. 44A, the measuring strip (800) may extend from the device tip (802), usually from the side of the ocular contact surface (804), so that the distance between the limbus and injection site can be measured perpendicular to the limbus. A positional indicator component (806) may be employed to ensure that the measuring strip (800) is properly used. For example, as shown in FIG. 44B, correct positioning of the measuring strip (800) (so that a 90 degree angle is formed between the measuring strip and device housing (808)) may be determined when the positional indicator component is substantially taut. In contrast, a slack positional indicator component (as shown in FIG. 44C) would indicate incorrect positioning. The positional indicator component may be a cord. In one variation, the integrated device comprises at least three measuring strips. In another variation, the integrated device includes at least four measuring strips. When a plurality of measuring strips are used, they may be configured in any suitable manner around the tip of the integrated device (equally spaced around the circumference of the ocular contact surface, symmetric or asymmetrically placed around the circumference of the ocular contact surface, etc.). For example, as shown in FIG. 44D, the measuring strips may be configured to span the desired 90 degree angle (45 degrees plus 45 degrees between the farthest strips) to allow for a 90 degree rotation of a control lever without having to reposition the hand of the user.

**[0126]** In some variations, the measuring component may be configured as a marking tip member (97). As shown in FIG. 12, the marking tip member (97) at its distal end (closer to the eye) that interfaces with the ocular surface and leaves a visible mark (98) on the conjunctival surface when pressed against it (e.g., FIG. 13). The marker-tip enables intraocular injections to be carried out through a safe area of the eye relative to the corneo-scleral limbus (99), such as between about 3 mm and about 4 mm posterior to the limbus,

over the pars plana region of the ciliary body of the eye. The diameter of the marking tip may range from about 1 mm to about 8 mm, or from about 2 mm to about 5 mm, or from about 2.3 mm to about 2.4 mm (e.g., FIG. 12).

### Conduits

[0127] The intraocular drug delivery devices described here may include any suitable conduit (or dispensing member) for accessing the intraocular space and delivering active agents therein. The conduits may have any suitable configuration, but will generally have a proximal end, a distal end, and a lumen extending therethrough. In their first, non-deployed (pre-deployed) state, the conduits will generally reside within the housing. In their second, deployed state, i.e., after activation of the actuation mechanism, the conduit, or a portion thereof, will typically extend from the housing. By “proximal end” it is meant the end closest to the user’s hand, and opposite the end near the eye, when the devices are positioned against the eye surface.

[0128] The distal end of the conduit will generally be configured to be sharp, beveled, or otherwise capable of penetrating the eye surface, e.g., the sclera. The conduit employed may be of any suitable gauge, for example, about 25 gauge, about 26 gauge, about 27 gauge, about 28 gauge, about 29 gauge, about 30 gauge, about 31 gauge, about 32 gauge, about 33 gauge, about 34 gauge, about 35 gauge, about 36 gauge, about 37 gauge, about 38 gauge, or about 39 gauge. The wall of the conduit may also have any suitable wall thickness. For example, in addition to regular wall (RW) thickness, the wall thickness of the conduit may be designated as thin wall (TW), extra/ultra thin wall (XTW/UTW), or extra-extra thin wall (XXTW). These designations are well known to those of skill in the relevant art. For example, the conduit may be a fine gauge cannula or needle. In some variations, the conduits may have a gauge between about 25 to about 39. In other variations, the conduits may have a gauge between about 27 to about 35. In yet further variations, the conduits may have a gauge between about 30 to about 33.

[0129] The conduits may have a sharp, pointed tip (FIGS. 14B-14C and FIGS. 15A1-15A2), rather than a rounded one (FIG. 14A) as in conventional needles. The pointed needle tip is formed by the lateral side surfaces that are straight at the point of their convergence into the tip, and at the point of their convergence forming a bevel angle (the angle formed by the bevel and the shaft of the needle), which may range from between about 5 degrees and about



45 degrees (FIG. 14B), between about 5 degrees and about 30 degrees, between about 13 degrees to about 20 degrees, or between about 10 degrees and about 23 degrees (FIG. 14C).

**[0130]** The sharp, pointed needle tip may provide improved penetration of the needle through the fibrillar, fibrous scleral tissue, which is the major structural cover of the eye and consists of a network of strong collagen fibers. Thus, such a needle tip during its penetration through the eye wall may create less resistance and, thus, decrease the impact force that is transmitted to the intraocular structures, such as the retina and the crystalline lens, in turn causing less damage to intraocular structures during the intraocular injection process (compared to conventional needles).

**[0131]** In addition, such a narrow bevel angle may enable the needle to cause less sensation when it penetrates through the eye wall (the outer cover of the said eye wall being richly innervated with sensory nerve fibers endings particularly densely located in the conjunctiva and cornea), which may be an issue when intraocular injections are involved compared to other less sensitive sites.

**[0132]** The narrow bevel angle may also allow for a longer bevel length and larger bevel opening and, thus, a larger opening at the distal end of the injection needle. With such a configuration, the force of drug injection into an eye cavity may be reduced, thus reducing the chances of intraocular tissue damage by a forceful stream of injected substance, which may occur with conventional short-beveled needles.

**[0133]** In some variations, the conduits are injection needles having one or more flat surface planes, as well as one or more side-cutting surfaces, as illustrated in FIGS. 16 and 17. Examples include a needle shaft comprising multiple surface planes separated by sharp ridges (FIGS. 16A-16C), as well as a needle tip comprising sharp side-cutting surfaces located on either side of the beveled surface of the needle about 90 degrees from the beveled surface (FIG. 17). The conduit may also be bi-beveled, i.e., have two bevels facing about 180 degrees from each other that is located on the opposite sides of the conduit. The conduit may also be coated (e.g., with silicone, PTFE, etc.) to facilitate its penetration through the eye wall.

**[0134]** In other variations, the conduit may be configured to be wholly or partially flattened in at least one dimension, as shown in the cross-sectional view of FIG. 18C taken along the line A—A of FIG. 18A. For example, the conduit may be flattened in the anterior-posterior

dimension (that is from the beveled side of the needle towards its opposite side. In one variation, both the external and internal surfaces of the needle are flattened and represent ovals on cross-section. In another variation, the internal surface of the needle is round and represents a circle on cross-section, while the external surface of the needle is flattened to enable its easier penetration through the fibrous scleral or corneal tissue of the eye wall. In another variation, more than one external surface plane of the needle is flattened to enable its easier penetration through the fibrous eye wall, while the internal opening of the said needle may be of any shape including round or oval.

**[0135]** As previously stated, in its second, deployed state, the conduit or needle extends from the housing. The portion of the needle that extends from the housing can be referred to as the exposed needle length. Upon activation of the actuation mechanism, the needle goes from its first, non-deployed state (pre-deployed state) (where it is entirely within the housing of the device), to its second, deployed configuration outside the housing, where a certain length of it is exposed. This exposed length may range from about 1 mm to about 25 mm, from about 2 mm to about 15 mm, or from about 3.5 mm to about 10 mm. These exposed needle lengths may enable complete intraocular penetration through the sclera, choroid and ciliary body into the vitreous cavity, while minimizing the risk of intraocular damage. In some variations, the exposed needle length ranges from about 1 mm to about 5 mm, or from about 1 mm to about 4 mm, or from about 1 mm to about 3 mm. Here the exposed needle lengths may enable complete intraocular penetration through the cornea into the anterior chamber, while minimizing the risk of intraocular damage.

**[0136]** In some variations, the devices may include an exposure control mechanism (9) for the dispensing member (11) (conduit) (FIGS. 19 and 20). The exposure control mechanism (9) generally enables one to set the maximal length of the dispensing member exposure during dispensing member deployment. In one variation, the exposure control mechanism works by providing a back-stop for the needle-protective member (13). In another variation, the exposure control mechanism (9) may be a rotating ring member with a dialable gauge. Needle exposure could be adjusted by the millimeter or a fraction of the millimeter, e.g., 1 mm, 1.5 mm, 2 mm, 2.5 mm, 3 mm, etc. Here the device may be equipped with a retraction mechanism that controls needle retraction into a needle-protective member. Such a needle-retraction mechanism may be spring-actuated (FIG. 20).



[0137] The devices may also include a removable distal (towards the eye) member that covers and protects the conduit (e.g., the front cover (15) in Figure 21). In one variation, the devices may also include a removable proximal (away the eye) member that covers and protects the proximal part of the device, e.g., comprising a loading dock mechanism (17) (e.g., the back cover (19) in Figure 21).

### Reservoirs

[0138] The reservoir is generally contained within the housing and may be configured in any suitable manner, so long as it is capable of delivering an active agent to the intraocular space using the actuation mechanisms described herein. The reservoir may hold any suitable drug or formulation, or combination of drugs or formulations to the intraocular space, e.g., the intravitreal space. It should be understood that the terms “drug” and “agent” are used interchangeably herein throughout. In one variation, the drug reservoir is silicone oil-free (lacks silicone oil or one of its derivatives) and is not internally covered or lubricated with silicone oil, its derivative or a modification thereof, which ensures that silicone oil does not get inside the eye causing floaters or intraocular pressure elevation. In another variation, the drug reservoir is free of any lubricant or sealant and is not internally covered or lubricated with any lubricating or sealing substance, which ensures that the said lubricating or sealing substance does not get inside the eye causing floaters or intraocular pressure elevation.

[0139] In some variation, the reservoir is made of a material that contains a cyclic olefin series resin, a cyclic olefin ethylene copolymer including commercially available products such as Zeonex® cyclo olefin polymer (ZEON Corporation, Tokyo, Japan) or Crystal Zenith® olefinic polymer (Daikyo Seiko, Ltd., Tokyo, Japan) and APEL™ cyclo olefin copolymer (COC) (Mitsui Chemicals, Inc., Tokyo, Japan), a cyclic olefin ethylene copolymer, a polyethylene terephthalate series resin, a polystyrene resin, a polybutylene terephthalate resin, and combinations thereof. In one variation, it may be beneficial to use a cyclic olefin series resin and a cyclic olefin ethylene copolymer that have a high transparency, a high heat resistance, and minimal to no chemical interaction with a pharmacological product such as a protein, a protein fragment, a polypeptide, or a chimeric molecule including an antibody, a receptor or a binding protein.

[0140] Exemplary agents may be selected from classes such as anti-inflammatories (e.g., steroidal and non-steroidal), anti-infectives (e.g., antibiotics, antifungals, antiparasitics,

antivirals, and antiseptics), cholinergic antagonists and agonists, adrenergic antagonists and agonists, anti-glaucoma agents, neuroprotection agents, agents for cataract prevention or treatment, anti-oxidants, antihistamines, anti-platelet agents, anticoagulants, antithrombics, anti-scarring agents, anti-proliferatives, anti-tumor agents, complement inhibitors (e.g., anti-C5 agents, including anti-C5a and anti-C5b agents), vitamins (e.g., vitamin B and derivatives thereof, vitamin A, depaxapenthenol, and retinoic acid), growth factors, agents to inhibit growth factors, gene therapy vectors, chemotherapy agents, protein kinase inhibitors, tyrosine kinase inhibitors, PEGF (pigment epithelial growth factor), small interfering RNAs, their analogs, derivatives, conjugates, and modifications thereof, and combinations thereof.

**[0141]** Non-limiting, specific examples of drugs that may be used alone or as part of a combination drug therapy include Lucentis<sup>TM</sup> (ranibizumab), Avastin<sup>TM</sup> (bevacizumab), Macugen<sup>TM</sup> (pegaptanib), steroids, e.g., dexamethasone, dexamethasone sodium phosphate, triamcinolone, triamcinolone acetonide, and fluocinolone, taxol-like drugs, integrin or anti-integrin agents, vascular endothelial growth factor (VEGF) trap (aflibercept), anecortave acetate (Retaane), and limus family compounds. Non-limiting examples of members of the limus family of compounds include sirolimus (rapamycin) and its water soluble analog SDZ-RAD, tacrolimus, everolimus, pimecrolimus, and zotarolimus, as well as analogs, derivatives, conjugates, salts, and modifications thereof, and combinations thereof.

**[0142]** Topical anesthetic agents may also be included in the reservoirs. For example, lidocaine, proparacaine, prilocaine, tetracaine, betacaine, benzocaine, ELA-Max®, EMLA® (eutectic mixture of local anesthetics), and combinations thereof may be used.

**[0143]** The reservoirs and devices described here may be suitable for intraocular administration of a very small volume of a solution, suspension, gel or semi-solid substance. For example, a volume between about 1  $\mu$ l and about 200  $\mu$ l, or between about 10  $\mu$ l and about 150  $\mu$ l, or between about 20  $\mu$ l and about 100  $\mu$ l may be delivered. To that end, the device will generally have a very small “dead space,” which enables intraocular administration of very small volumes.

**[0144]** The device reservoirs may be pre-loaded during the manufacturing process or loaded manually before the intraocular injection, as further described below.



### Drug Loaders

[0145] When a drug or formulation is to be loaded into the reservoir of the device prior to intraocular injection, a loading member may be employed. The loading member may be removably attached to the distal end of the housing. For example, the loading member may function as a loading dock that quantitatively controls the volume of a liquid, semi-liquid, gelatinous, or suspension drug that is to be loaded into the device. For example, the loading member may comprise a dial mechanism (21) that allows the operator to preset a particular volume of a drug to be loaded into the device (FIGS. 21 and 22). The loading may occur with a precision ranging from about 0.01  $\mu\text{l}$  and about 100  $\mu\text{l}$ , or from about 0.1  $\mu\text{l}$  and 10  $\mu\text{l}$ . Such a loading member may allow for loading the device reservoir with a liquid, semi-liquid, gelatinous or suspended drug in a particular volume equal or less than that of the drug storage container, which allows for airless loading of the drug into the device. This may be beneficial because air injected into the eye will result in the sensation of seeing “floaters” by the patient, which may be uncomfortable and distracting to the patient particularly during driving or other similar activities.

[0146] As shown in FIG. 22, the drug loading mechanism (23) includes a wide base member (25) for upright loading of the reservoir (27) through its proximal (further from the eye) end (29). Also shown are exemplary front (31) and back (33) covers, as well as a dialable control mechanism (21) for setting the loading and/or injection volume(s). In other variations, the devices comprise a loading mechanism such as a loading dock (35A), wherein the dock (35A) interfaces with a drug storage container (FIGS. 25A-25B) such as a vial known to those skilled in the art and penetrates through the vial stopper to gain access to the drug contained inside the vial so that the drug could be loaded into the device reservoir. In FIGS. 25A-25B, the dock mechanism is located in the dependant position so that the drug vial (37) is positioned directly above the dock so that the drug moves from the vial downward in the direction of gravity.

[0147] In one variation, the dock mechanism comprises a needle or a sharp cannula that has openings or fenestrations (39) at its base. The said openings or fenestrations are positioned immediately adjacent to the internal aspect of the vial stopper when the loading dock penetrates into the drug vial while in the desired loading position, which in turn enables airless drug loading into the device as well as complete drug removal from the storage container. Airless drug loading may be beneficial because it may prevent the patient from

seeing small intraocular air bubbles or “floaters.” Complete drug removal is also beneficial given that small drug volumes and expensive medications are typically used.

**[0148]** In other variations, for example, when the devices have a flat side surface (FIGS. 24A-24D) or a flat front or back surface (FIG. 22), the loading mechanism includes a loading dock located 180 degrees from the flat surface. This results in a loading dock pointing straight upwards, which enables its penetration into a drug container in the dependent position, which in turn enables airless drug delivery into the device, as well as complete drug removal from the storage container and its loading into the said device without drug retention and loss in the storage container.

**[0149]** In further variations, as shown in FIGS. 33A-33B, an access port (144) may be provided at the distal end of the needle assembly (125) that allows drug from a storage container (146) to be loaded into the reservoir (122). Access port (144) may be placed at any suitable location on the needle assembly (125) or housing (102). For example, if desired, the access port may be placed in the front wall of the housing or even the ocular contact surface (not shown) so that drug loading occurs from the front of the device. Access port (144) may be made from a material, e.g., silicone, that allows sealable penetration by a sharp conduit. One or multiple membranes (148) may also be provided, e.g., in the ocular contact surface (108) to seal the internal compartment of the housing against air leak and/or external bacterial contamination. One or multiple small apertures (150) may also be included in the wall of the housing (102) to help control air outflow from the housing (102). The number and diameter of the apertures (150) may be varied to control the rate of (needle assembly and) needle deployment.

**[0150]** In some variations, e.g., when a pneumatic actuation mechanism is used, drug loading may be controlled by a drug-loading piston. For example, as shown in FIG. 38, the device (400) may include a drug-loading piston (402) having a proximal end (404) and a distal end (406). The distal end (406) is adapted to include a threaded portion (408). Thus, during loading of a drug from container (410) through adaptor (412) and access port (414), the drug-loading piston (402) can be rotated and withdrawn to create negative pressure within the reservoir (416). This negative pressure in turn draws the drug through the needle (418) and into the reservoir (416). A receptacle (420) may also be provided at the distal end of the device for holding initially loaded drug prior to transfer into the reservoir (416).



### Actuation Mechanisms

[0151] The devices described here generally include an actuation mechanism within the housing that deploys the conduit from the housing and enables the delivery of drug from the device into the intraocular space. In other variations, the conduit is deployed by an actuation mechanism contained within a separate cartridge that can be removably attached to the device housing, e.g., using snap-fit or other interlocking elements. The actuation mechanisms may have any suitable configuration, so long as they provide for accurate, atraumatic, and controlled delivery of drug into the intraocular space. For example, the actuation mechanisms may deliver a drug or formulation into the eye by way of intraocular injection at a rate ranging from about 1  $\mu\text{l}/\text{sec}$  to about 1  $\text{ml}/\text{sec}$ , from about 5  $\mu\text{l}/\text{sec}$  to about 200  $\mu\text{l}/\text{sec}$ , or from about 10  $\mu\text{l}/\text{sec}$  to about 100  $\mu\text{l}/\text{sec}$ . The actuation mechanisms may generally provide a force of needle deployment that is strong enough to penetrate the eye wall comprising the conjunctiva, sclera and the pars plana region of the ciliary body, but less than that causing damage to the intraocular structures due to high velocity impact. This force depends on several physical factors, including but not limited to, the needle gauge utilized, the speed/rate of needle deployment at the point of contact between the needle tip and the eye wall which in turn determines the impact force. An exemplary range of force that may be generated by the actuation mechanisms is about 0.1 N (Newton) to about 1.0 N (Newton). The velocity of needle deployment may also range between about 0.05 seconds and about 5 seconds.

[0152] In some variations, the actuation mechanism is a single-spring mechanism. In other variations, the actuation mechanism is a two-spring mechanism. In further variations, the actuation mechanism is pneumatic, e.g., employing negative pressure such as vacuum, or a positive pressure driven mechanism. In further variations, the actuation mechanism is driven magnetically or electrically, e.g., by a piezo-electric or magnetic rail mechanism. These types of actuation mechanisms may be configured to allow independent control of the rate and force of drug injection (controlled, e.g., by the first spring member in the two-spring variation), and the rate and force of the dispensing member deployment (controlled, e.g., by the second spring member in the two-spring variation). Exemplary two-spring mechanisms are shown in FIGS. 26 and 27.

[0153] FIG. 28 also depicts an exemplary integrated intraocular drug delivery device with a two-spring actuation mechanism. In FIG. 28, the device (100) includes a housing (102)

having a proximal end (104) and a distal end (106). An ocular contact surface (108) is attached to the distal end (106). A measuring component (110) is attached to one side of the ocular contact surface (108). As further described below, a trigger (112) that is operatively coupled to the housing (102) works with the first spring (114) and the second spring (116) of the actuation mechanism to deploy pins (118) through openings (120) in the housing (102), to thereby deliver drug from the reservoir (122). First spring (114), second spring (116), pins (118), openings (120), and reservoir (122) are better shown in FIG. 29. Also in FIG. 29, a conduit, e.g., needle (124), is depicted within the housing in its first non-deployed state. Needle (124) is configured as being part of an assembly (125) such that movement of the assembly results in corresponding movement of the needle (124). A stop (115) is provided at the proximal end (127) of the assembly (125), which is connected to the distal end of the first spring (114) and the proximal end of the second spring (116). The springs, as well as other components of the device may be connected via medical grade adhesives, friction or snap fit, etc.

**[0154]** In FIG. 30, the second spring (116) is operatively connected to a plunger (132) by friction fit within a compartment (134) of the plunger (132). In the pre-activated state, as shown in FIG. 29, the plunger (132) and second spring (116) are held in place by pins (118). The pins (118) are removably engaged to the plunger (132) at plunger groove (138), and lock the plunger (132) in place via friction fit against the plunger groove (138) and housing (102).

**[0155]** Activation of the first spring (114) of the actuation mechanism by activating the trigger deploys the needle (124) into the intraocular space, i.e., it moves the needle (124) from its first non-deployed state (FIG. 29) to its second deployed state (FIG. 30). Referring to FIGS. 30 and 31A-31C, activation of the first spring (114) occurs by depression of trigger (112) by, e.g., one or two fingers, which also depresses buttons (126). As shown in FIGS. 31A and 31B, buttons (126) are configured with a button groove (128) that allows the buttons (126) to align with channels (130) in the housing (102). Once aligned with the channels (130), the buttons (126) may be slidingly advanced along the channels (130). The rate of movement along the channels (130) may be controlled manually by the user, automatically controlled by the force of spring expansion, or a combination of both. This movement of the buttons (126) allows expansion of the first spring (114) against stop (115) so that the needle assembly (125) and needle (124) can be deployed. The channels in the housing may have any suitable configuration. For example, as shown in FIG. 31C, the channels (130) may be



spiral cut within the housing to allow rotation or a corkscrew type movement of the needle upon advancement, which may facilitate needle penetration through the eye wall.

**[0156]** Activation of the first spring (114) will typically result in activation of the second spring (116) to deliver drug out of the device and into the intraocular space. For example, as shown in FIG. 30, the expansion force of first spring (114) against stop (115) that is also connected to the proximal end of the second spring (116) works to expand the second spring (116) so that the assembly (125) is advanced within the housing (102). As illustrated in FIGS. 32A-32C, when the pins (118) that are removably engaged to plunger (132) reach openings (120), they are deployed out through the openings (120). Expulsion of the pins (118) from the device, then allows free expansion of the second spring (116) against plunger (132), to thereby push drug residing with reservoir (122) out of the device. The openings (120) may be covered by a membrane or seal (140) that can be penetrated by the pins (118) to give a visual indication that the drug has been delivered.

**[0157]** A two-spring actuation mechanism, as shown in FIGS. 41A-41B may also be used. Referring to FIG. 41A, integrated device (600) includes an actuation mechanism comprising a first spring (602) and a second spring (604). In use, when trigger (606), e.g., a lever, is depressed, first spring (602) is released to advance shaft (608) in the direction of the arrow, which in turn advances needle (610) out of the tip of the device (600). Continued advancement of the shaft (608) advances the injection sleeve (612) and top seal (614) so that drug within reservoir (616) may be delivered through needle (610). Referring to FIG. 41 B, once the drug has been injected, tabs (618) removably engage housing openings (620) to thereby release second spring (604), which then moves shaft (608) backward to retract needle (610) (not shown).

**[0158]** In some variations, a single-spring actuation mechanism is employed, as shown in FIGS. 36 and 37. When a single spring is used, the actuation mechanism is configured much like the two-spring mechanism described above except that the second spring is removed. Thus, in its pre-activated state, as shown in FIG. 36, a device (300) with a single spring (302) may activate the single spring (302) by depression of trigger (304) by, e.g., one or two fingers, which also depresses buttons (306). The buttons (306) are configured with a button groove (308) that allows the buttons (306) to align with channels (not shown) in the housing (310). Once aligned with the channels, the buttons (306) may be slidingly advanced along the channels. This movement of the buttons (306) allows expansion of the spring (302)

against plunger (312) so that the needle assembly (314) and needle (316) can be deployed. When the pins (318) that are removably engaged to plunger (312) reach openings (320) within the housing (310), they are deployed out through the openings (320). Expulsion of the pins (318) from the device, then allows further expansion of the spring (302) against plunger (312), to thereby push drug residing with reservoir (322) out of the device. Although not shown here, the openings (320) may be covered by a membrane or seal that can be penetrated by the pins (318) to give a visual indication that the drug has been delivered.

**[0159]** A pneumatic actuation mechanism may also be employed. In one variation, as depicted in FIGS. 34 and 35A and 35B, the pneumatic actuation mechanism includes a plunger, pins, and housing openings in the same fashion as described for the single- and two-spring mechanisms. However, instead of using a spring to deploy the needle assembly and plunger, a piston is used to slidably advance the needle assembly within the housing. For example, in FIG. 34, a device with a pneumatic actuation mechanism (200) includes a piston (202) and trigger (204). The piston (202) is used to compress air into the housing (206) of the device (202). If desired, the amount of compressed air the piston includes in the device may be controlled by a dial or other mechanism (not shown). The proximal end of the housing may also be configured, e.g., with a flange, crimps, or other containment structure, that allows translational movement of the piston (202) into the housing but not out of the housing. Upon depression of a trigger (208), a pair of locking pins (210) are also depressed to thereby allow the compressed air generated by the piston (202) to push the needle assembly (212) forward. This advancement of the needle assembly (212) deploys the needle (214) out of the device (FIG. 35B). As previously stated, pins (216) similar to those above that lock the plunger (218) in place are also provided. Upon their expulsion from the device out of openings (220) in the housing (206) due to forward movement of the needle assembly (212), the compressed air further moves the plunger (218) forward to thereby push drug residing with reservoir (222) out of the device. Rotational pins (224) may also be included, which upon release by the sliding needle assembly (212) allow rotation of the needle assembly (212) with respect to the housing (206).

**[0160]** As previously stated, a trigger may be coupled to the housing and configured to activate the actuation mechanism. In one variation, the trigger is located on the side of the device housing proximate the device tip at the ocular interface surface (e.g., the distance between the trigger and device tip may range between 5 mm to 50 mm, between 10 mm to 25



mm, or between 15 mm to 20 mm), so that the trigger can be activated by a fingertip while the device is positioned over the desired ocular surface site with the fingers on the same hand. In another variation, the trigger is located on the side of the device housing at 90 degrees to the measuring component, so that when the ocular contact surface is placed on the eye surface perpendicular to the limbus, the trigger can be activated with the tip of the second or third finger of the same hand that positions the device on the ocular surface.

**[0161]** Some variations of the device may include a control lever for initiating plunger movement. In these instances, the control lever may actuate the plunger in a mechanical manner, e.g., by spring-actuation, similar to that described above. In other variations, actuation of the plunger may occur through a combination of mechanical and manual features. For example, the initiation of plunger movement may be aided by a manual force applied onto the control lever, while a spring-actuated mechanism for generating a mechanical force is also employed to move the plunger forward inside the device barrel to inject drug. In instances where the control lever is connected to the plunger, the initiation of plunger movement and drug injection is controlled by the manual component, whereas the rate of fluid injection is controlled by the mechanical force. Here a reduced manual force may be applied to the plunger due to its combination with a co-directional mechanical force, thus facilitating the stability of device positioning on the ocular surface at a precise injection site.

**[0162]** The control lever may be placed between 10 mm and 50 mm from the tip of the device that interfaces with the eye surface, or between 20 mm and 40 mm from the tip of the device. Positioning of the control lever in this manner may enable atraumatic and precise operation of the device with one hand.

**[0163]** As illustrated in FIGS. 43A-43D, exemplary integrated device (700) includes a housing (702), a dynamic sleeve (704) slidable thereon, an ocular contact surface (706), a plunger (708), and a control lever (710) for manually actuating the plunger (708) to inject drug through needle (712). An expanded sectional view of the ocular contact surface (706), dynamic sleeve (706), plunger (708), and needle (712) shown in FIG. 43 A is shown in FIG. 43B. In use, after placing the ocular contact surface (706) on the eye, the applied pressure may automatically slide the dynamic sleeve (704) back (in the direction of the arrow) to expose the needle and allow needle penetration through the eye wall. The control lever (710) may then be slidably advanced manually (in the direction of the arrow in FIG. 43C) to

advance plunger (708). When injection of the drug through the needle (712) is complete, the dynamic sleeve (704) may be slidably advanced manually to cover the needle, as shown in FIG. 43D.

**[0164]** The dynamic sleeve may be slidably advanced or retracted manually by a fine mobility control mechanism, also referred to as a mobility control mechanism. In these instances, the dynamic sleeve may comprise a high-traction surface located on the outer surface of the sleeve, which may aid movement of the sleeve with a fingertip. In one variation, the high-traction surface may be engraved or contain markings with a serrated pattern. In other variations, as shown in FIG. 45A, a platform or pad (e.g., a fingertip pad) (900) may be attached to the outer surface of the sleeve (902) to help manually advance or retract the sleeve. The platform or pad may also include a high-traction surface (904), the perspective, side, and top views of which are illustrated in FIGS. 45B, 45C, and 45D, respectively. Platform or pad (900) will typically include a base (912) for attachment to the sleeve (902). Base (912) may be of any suitable configuration. For example, the base of the platform or pad may be configured as a cylinder (FIG. 45H) or with a narrowed portion (portion of lesser diameter), such as a dumbbell or apple core shape (FIG. 45I).

**[0165]** Some variations of the devices described herein include a grip having a retraction slot or channel that works in combination with the dynamic resistance component to inject drug into the eye. Referring to FIG. 45 A, grip (906) may be a component coupled (usually fixedly attached) to the device housing (908) at the proximal end (912) of the sleeve (902). The grip (906) may be configured to include a retraction slot (910) in its wall. In use, when the sleeve (902) is retracted, as shown by the direction of the arrow in FIG. 45J, the base (912) of the pad or platform is moved into the slot (910). The retraction slot (910) may be configured as a channel of uniform width (FIG. 45F), or as a channel with a keyhole-type configuration, e.g., having a narrowed portion (FIG. 45G) or enlarged portion (FIG. 45E) at the slot proximal or distal end. The retraction slot may provide sensory feedback, e.g., when the endpoint of retraction is reached. The configuration of the base of the platform or pad may be chosen so that it provides a friction fit with the slot. For example, when the slot has a narrowed portion, the base may also have a narrowed portion.

**[0166]** When grips are employed, the devices may also include a locking mechanism. In one variation, when the end point of the sleeve retraction and needle exposure/deployment is reached, the wide portion of the sleeve slot is aligned with the wide portion of a grip slot and



with an opening in the housing and an opening in the plunger shaft, allowing the platform base to be inserted into the plunger shaft to lock it relative to the platform that become an actuation lever for manual drug injection. The narrow part of the base enters the narrow part of the sleeve slot, which unlocks the platform relative to the sleeve allowing its movement towards device tip. In another variation, when the platform base reaches the end point of the retraction slot, it may be depressed into an opening in the plunger shaft and becomes a locking pin to connect the platform and the plunger. When it is depressed, its narrow portion enters the keyhole-shaped slot in the sleeve, and becomes movable within the slot moving towards the tip of the sleeve (unlocks the platform base and sleeve).

**[0167]** The mobility control mechanism may be beneficial when the user desires to control the amount of pressure exerted by the device tip on the eye surface in order to deploy the needle during its intraocular penetration. With a mobility control mechanism, the user may use a fingertip to either reduce or increase counter-forces that regulate the sleeve movement and needle exposure.

**[0168]** For example, if the user exerts the pulling force onto the said high-traction surface (that is pulling the high-traction surface of the sleeve away from the device tip), this movement may facilitate needle exposure and reduce the amount of pressure force (down to 0 Newton) needed to be applied to the eye wall in order to slide the sleeve back and expose the needle. In another variation, if the user exerts a pushing force (that is pushing the high-traction surface of the sleeve towards the device tip), this movement may counteract and impedes needle exposure, which may allow the device tip to apply increased pressure to the eye wall prior to the initiation of sleeve movement and needle exposure.

**[0169]** In use, the platform or pad may be slid with a second or third finger. Again, this allows the injector to manually modulate the sleeve resistance and movement along the device tip. For example, by pushing the pad and thus the sleeve forward with a fingertip, the injector provides some resistance at the beginning of the procedure when the device tip is being positioned on the eye surface (and the needle needs to remain completely covered). Then the injector would release his/her fingertip from the sleeve pad to enable needle deployment and its transscleral penetration. Some variations of the device may also include a step or a ring-shaped ridge at the end of the sleeve path, so that after the sleeve is pulled back past this step, it would automatically trigger spring-actuated plunger movement. The

fingertip pad could be used to pull the sleeve back past the said step at the end of needle deployment in order to actuate the plunger movement and drug injection.

[0170] When a platform or pad is employed, it may reduce the amount of pressure the device exerts on the eyeball before the sleeve begins to move to expose the needle, and thus, allow customization of the amount of applied pressure from patient to patient.

[0171] In another aspect, the dynamic sleeve may provide gradual needle exposure as it penetrates through the eye wall so that the needle is exposed 1 mm or less when it meets most resistance at the eye surface. Here the rest of the needle is located inside the sleeve with at least its most distal unexposed point or a longer segment being protected inside the narrow exit orifice or canal. Such sleeve design may minimize the risk of needle bending compared to the conventional syringe with a long exposed needle. This design may enable the utilization of smaller a gauge needle without increased risk of it being bent as it penetrated through the eye wall. The smaller needle gauge may render it more comfortable and less traumatic during its intraocular penetration.

## II. METHODS

[0172] Methods for using the integrated intraocular drug delivery devices are also described herein. In general, the methods include the steps of positioning an ocular contact surface of the device on the surface of an eye, applying pressure against the surface of the eye at a target injection site using the ocular contact surface, and delivering an active agent from the reservoir of the device into the eye by activating an actuation mechanism. The steps of positioning, applying, and delivering are typically completed with one hand.

[0173] The application of pressure against the surface of the eye using the ocular contact surface may also be used to generate an intraocular pressure ranging between 15 mm Hg to 120 mm Hg, between 20 mm Hg to 90 mm Hg, or between 25 mm Hg to 60 mm Hg. As previously stated, the generation of intraocular pressure before deployment of the dispensing member (conduit) may reduce scleral pliability, which in turn may facilitate the penetration of the conduit through the sclera, decrease any unpleasant sensation on the eye surface during an injection procedure, and/or prevent backlash of the device. Intraocular pressure control may be generated or maintained manually or automatically using pressure relief valves, pressure sensors, pressure accumulators, pressure sensors, or components such as slidable caps having locking mechanisms and/or ridges as previously described.



[0174] Use of the devices according to the described methods may reduce pain associated with needle penetration through the various covers of the eye wall such as the conjunctiva that is richly innervated with pain nerve endings. The anesthetic effect at the injection site during an intraocular injection procedure may be provided by applying mechanical pressure on the conjunctiva and the eye wall over the injection site before and/or during the needle injection. The application of mechanical pressure to the eye wall may also transiently increase intraocular pressure and increase firmness of the eye wall (and decrease its elasticity), thereby facilitating needle penetration through the sclera. Furthermore, the application of mechanical pressure to the eye wall may displace intraocular fluid within the eye to create a potential space for the drug injected by the device.

[0175] The devices may be used to treat any suitable ocular condition. Exemplary ocular conditions include without limitation, any type of retinal or macular edema as well as diseases associated with retinal or macular edema, e.g., age-related macular degeneration, diabetic macular edema, cystoid macular edema, and post-operative macular edema; retinal vascular occlusive diseases such as CRVO (central retinal vein occlusion), BRVO (branch retinal vein occlusion), CRAO (central retinal artery occlusion), BRAO (branch retinal artery occlusion), and ROP (retinopathy of prematurity), neovascular glaucoma; uveitis; central serous chorioretinopathy; and diabetic retinopathy.

[0176] When dexamethasone sodium phosphate solution is used to treat an ocular condition, the dose of dexamethasone sodium phosphate that may be administered into the eye by each individual injection device may range between about 0.05 mg and about 5.0 mg, between about 0.1 mg and about 2.0 mg, or between about 0.4 mg and about 1.2 mg.

[0177] In some variations, a topical anesthetic agent is applied on the ocular surface before placement of the device on the eye. Any suitable topical anesthetic agent may be used. Exemplary topical anesthetic agents include without limitation, lidocaine, proparacaine, prilocaine, tetracaine, betacaine, benzocaine, bupivacaine, ELA-Max®, EMLA® (eutectic mixture of local anesthetics), and combinations thereof. In one variation, the topical anesthetic agent comprises lidocaine. When lidocaine is used, it may be provided in a concentration ranging from about 1% to about 10%, from about 1.5% to about 7%, or from about 2% to about 5%. In another variation, the topical anesthetic agent is mixed with phenylephrine or another agent that potentiates or/and prolongs the anesthetic effect of the

pharmaceutical formulation. The topical anesthetic agent may be provided in any suitable form. For example, it may be provided as a solution, gel, ointment, etc.

[0178] An antiseptic agent may also be applied on the ocular surface before placement of the device on the eye. Examples of suitable antiseptic agents include, but are not limited to, iodine, povidone-iodine (betadine®), chlorhexidine, soap, antibiotics, salts and derivatives thereof, and combinations thereof. The antiseptic agent may or may not be applied in combination with a topical anesthetic agent. When the antiseptic comprises povidone-iodine (Betadine®), the concentration of povidone-iodine may range from about 1% to about 10%, from about 2.5% to about 7.5%, or from about 4% to about 6%.

[0179] During the drug delivery process, the devices described here may be configured so that the injection needle enters the eye at the right angle that is perpendicular to the eye wall (sclera). In other instances, the device may be configured so that the injection needle enters through the cornea into the anterior chamber of the eye parallel to the iris plane.

### III. SYSTEMS AND KITS

[0180] Systems and kits that include the intraocular drug delivery devices are also described herein. The kits may include one or more integrated drug delivery devices. Such devices may be preloaded with an active agent. When a plurality of preloaded devices are included, they may be separately packaged and contain the same active agent or different active agents, and contain the same dose or different doses of the active agent.

[0181] The systems and kits may also include one or more separately packaged devices that are to be manually loaded. If the devices are to be manually loaded prior to use, then one or more separately packaged active agents may be incorporated into the kit. Similar to the preloaded device system or kit, the separately packaged active agents in the systems and kits here may be the same or different, and the dose provided by each separately packaged active agent may be the same or different.

[0182] Of course, the systems and kits may include any combination of preloaded devices, devices for manual loading, and active agents. It should also be understood that instructions for use of the devices will also be included. In some variations, one or more separately packaged measuring components may be provided in the systems and kits for removable



attachment to the devices. Topical anesthetic agents and/or antiseptic agents may also be included.

#### IV. EXAMPLES

[0183] The following example serves to more fully describe the manner of using the above-described intraocular injection devices. It is understood that this example in no way serves to limit the scope of the invention, but rather is presented for illustrative purposes.

##### Example 1: Resistance Force Generated By the Dynamic Sleeve

[0184] An intraocular injection device comprising a 30-gauge needle covered by a dynamic sleeve (a bi-tapered design with each end of the sleeve tapered) was fixed onto an Imada tensile testing bed and moved against an Imada 10 N force gauge at a rate of 10 mm/minute. The resistance force was measured while the sleeve was pushed back to expose the needle simulating the movement of the sleeve in practice. This produced a “U”-shaped force plotted against the sleeve displacement curve, as shown in FIG. 46. The resistance force at the beginning and the end of sleeve movement path was greater than that in the middle of the path. In FIG. 46, the illustrated range of resistance force generated may be between zero Newton and about 2 Newton or between about 0.1 Newton and about 1.0 Newton.

[0185] In one instance, the resistance force at the beginning of the sleeve path equaled the force required for the 30- or 31-gauge needle to penetrate through the human sclera (e.g., between 0.2 Newton and 0.5 Newton). When a using a higher-resistance sleeve was employed, the resistance force at the beginning of the sleeve path was greater than the force required for the 30- or 31-gauge needle to penetrate through the human sclera (e.g., over 1 Newton). However, the force was low enough to be comfortable for the patient and avoid potential damage to the eye (e.g., to avoid increase in intra-ocular pressure over 60 mmHg). In the middle portion of the sleeve movement path, the force approached zero Newton.

## CLAIMS

1. An integrated device for intraocular drug delivery comprising:
  - a housing sized and shaped for manipulation with one hand, the housing having a proximal end and a distal end;
  - an ocular contact surface at the housing distal end;
  - a measuring component;
  - a conduit at least partially within the housing, the conduit having a proximal end, a distal end, and a lumen extending therethrough;
  - an actuation mechanism contained within the housing and operably connected to the conduit and a reservoir for holding an active agent;
  - a trigger coupled to the housing and configured to activate the actuation mechanism;and
  - a dynamic resistance component coupled to the housing.
2. The integrated device of claim 1, wherein the dynamic resistance component comprises a slidable element coupled to the housing.
3. The integrated device of claim 2, wherein the slidable element comprises a dynamic sleeve having a proximal end, a distal end, and an inner surface.
4. The integrated device of claim 3, wherein the proximal end and the distal end of the dynamic sleeve are tapered.
5. The integrated device of claim 4, wherein the tapered dynamic sleeve and the housing generate a force between 0 N and about 2 N.
6. The integrated device of claim 4, wherein the tapered dynamic sleeve and the housing generate a force between about 0.1 N and about 1 N.
7. The integrated device of claim 3, wherein the inner surface of the dynamic sleeve comprises one or more high-traction surfaces.



8. The integrated device of claim 7, wherein the housing comprises one or more high-traction surfaces.
9. The integrated device of claim 8, wherein the one or more high-traction surfaces of the dynamic sleeve and the housing generate a force between 0 N and about 2 N.
10. The integrated device of claim 8, wherein the one or more high-traction surfaces of the dynamic sleeve and the housing generate a force between about 0.1 N and about 1.0 N.
11. The integrated device of claim 3, wherein the dynamic sleeve further comprises a fine sleeve mobility control component.
12. The integrated device of claim 1, wherein the ocular contact surface comprises a ring, a flange, or a combination thereof.
13. The integrated device of claim 12, wherein the ocular contact surface comprises a ring.
14. The integrated device of claim 13, wherein the ring has a diameter between about 0.3 mm and about 8 mm.
15. The integrated device of claim 1, wherein the ocular contact surface is flat, convex, or concave.
16. The integrated device of claim 1, wherein the ocular contact surface comprises one or more traction elements.
17. The integrated device of claim 1, wherein the ocular contact surface comprises an adhesive component.
18. The integrated device of claim 17, wherein the adhesive component comprises a suction mechanism.
19. The integrated device of claim 1, wherein the ocular contact surface comprises a material selected from the group consisting of nylon fiber, cotton fiber, hydrogel, spongiform material,

styrofoam, other foams, silicone, plastic, polypropylene, polyethylene, polytetrafluoroethylene, and combinations thereof.

20. The integrated device of claim 1, wherein the actuation mechanism comprises a manual actuation mechanism.

21. The integrated device of claim 20, wherein the manual actuation mechanism comprises a control lever for slidable advancement of a plunger.

22. The integrated device of claim 1, wherein the actuation mechanism comprises an automated actuation mechanism.

23. The integrated device of claim 22, wherein the automated actuation mechanism comprises a spring-loaded actuation mechanism.

24. The integrated device of claim 23, wherein the spring-loaded actuation mechanism is configured to deliver the active agent into the intraocular space at a rate ranging from about 1  $\mu\text{l}/\text{sec}$  to about 1  $\text{ml}/\text{sec}$ .

25. The integrated device of claim 24, wherein the spring-loaded actuation mechanism delivers the active agent into the intraocular space at a rate ranging from about 10  $\mu\text{l}/\text{sec}$  to about 100  $\mu\text{l}/\text{sec}$ .

26. The integrated device of claim 23, wherein the spring-loaded actuation mechanism generates a force of about 0.1 N to about 1.0 N.

27. The integrated device of claim 23, wherein the spring-loaded actuation mechanism comprises a first spring and a second spring.

28. The integrated device of claim 27, wherein the second spring is configured to deploy a plunger and to control the rate of delivery of the active agent.

29. The integrated device of claim 27, wherein the first spring is configured to move the conduit from a first non-deployed state to a second deployed state and control the rate and force of deployment of the conduit.



30. The integrated device of claim 1, wherein the actuation mechanism is a partially automated actuation mechanism.
31. The integrated device of claim 30, wherein the partially automated actuation mechanism comprises a control lever for slidable advancement of a plunger.
32. The integrated device of claim 30, wherein the partially automated actuation mechanism comprises a spring-loaded actuation mechanism.
33. The integrated device of claim 32, wherein the spring-loaded actuation mechanism is configured to deliver the active agent into the intraocular space at a rate ranging from about 1  $\mu\text{l}/\text{sec}$  to about 1  $\text{ml}/\text{sec}$ .
34. The integrated device of claim 32, wherein the spring-loaded actuation mechanism delivers the active agent into the intraocular space at a rate ranging from about 10  $\mu\text{l}/\text{sec}$  to about 100  $\mu\text{l}/\text{sec}$ .
35. The integrated device of claim 32, wherein the spring-loaded actuation mechanism generates a force of about 0.1 N to about 1.0 N.
36. The integrated device of claim 32, wherein the spring-loaded actuation mechanism comprises a first spring and a second spring.
37. The integrated device of claim 36, wherein the second spring is configured to deploy a plunger and to control the rate of delivery of the active agent.
38. The integrated device of claim 36, wherein the first spring is configured to move the conduit from a first non-deployed state to a second deployed state and control the rate and force of deployment of the conduit.
39. The integrated device of claim 1, wherein the actuation mechanism is a pneumatic actuation mechanism.

40. The integrated device of claim 1, wherein the active agent is selected from the group consisting of steroidal anti-inflammatories, nonsteroidal anti-inflammatories, anti-infectives, anti-allergens, cholinergic antagonists and agonists, adrenergic antagonists and agonists, anti-glaucoma agents, neuroprotection agents, agents for cataract prevention or treatment, anti-proliferatives, anti-tumor agents, complement inhibitors, vitamins, growth factors, agents to inhibit growth factors, gene therapy vectors, chemotherapy agents, protein kinase inhibitors, small interfering RNAs, analogs, derivatives, and modifications thereof, and combinations thereof.

41. The integrated device of claim 1, wherein the active agent is selected from the group consisting of ranibizumab, bevacizumab, pegaptanib, dexamethasone, dexamethasone sodium phosphate, triamcinolone, triamcinolone acetonide, fluocinolone, taxol-like drugs, aflibercept, anecortave acetate, and limus family compounds.

42. The integrated device of claim 36, wherein the limus family compounds are selected from the group consisting of sirolimus, SDZ-RAD, tacrolimus, everolimus, pimecrolimus, zotarolimus, CCI-779, AP23841, and ABT-578, analogs, derivatives, conjugates, salts, and modifications thereof, and combinations thereof.

43. The integrated device of claim 1, wherein the reservoir is made from a cyclic olefin series resin.

44. The integrated device of claim 40, wherein the reservoir lacks silicone oil or one of its derivatives.

45. The integrated device of claim 1, wherein the measuring component is attached to the ocular contact surface.

46. The integrated device of claim 1, wherein the measuring component comprises one or more radially extending members.

47. The integrated device of claim 46, wherein the one or more radially extending members comprises a raised distal tip.



48. The integrated device of claim 46, wherein the one or more radially extending members is flexible.

49. The integrated device of claim 48, wherein the measuring component comprises a positional indicator component.

50. The integrated device of claim 1, wherein the reservoir is preloaded with the active agent.

51. The integrated device of claim 3, wherein one of the proximal end and distal end of the dynamic sleeve is tapered.

52. A method for intraocular drug delivery comprising:

positioning an ocular contact surface of an integrated device on the surface of an eye using a measuring component to determine the location of an injection site, the integrated device further comprising a housing, a dispensing member a dynamic resistance component, a reservoir for holding an active agent, and an actuation mechanism;

applying pressure against the surface of the eye at a target injection site using the dynamic resistance component; and

delivering an active agent from the reservoir into the eye by activating the actuation mechanism,

wherein the steps of positioning, applying, and delivering are completed with one hand.

53. The method of claim 52, wherein the injection site is between about 1 mm anterior to the limbus and about 6 mm posterior to the limbus.

54. The method of claim 52, wherein the injection site is between about 3 mm to about 4 mm posterior to the limbus.

55. The method of claim 52, wherein the active agent is preloaded in the reservoir.

56. The method of claim 52, wherein the active agent is loaded into the reservoir using a drug loading mechanism.

57. The method of claim 52, wherein the active agent is selected from the group consisting of steroidal anti-inflammatories, nonsteroidal anti-inflammatories, anti-infectives, anti-allergens, cholinergic antagonists and agonists, adrenergic antagonists and agonists, anti-glaucoma agents, neuroprotection agents, agents for cataract prevention or treatment, anti-proliferatives, anti-tumor agents, complement inhibitors, vitamins, growth factors, agents to inhibit growth factors, gene therapy vectors, chemotherapy agents, protein kinase inhibitors, small interfering RNAs, analogs, derivatives, conjugates, and modifications thereof, and combinations thereof.

58. The method of claim 52, wherein the active agent is selected from the group consisting of ranibizumab, bevacizumab, pegaptanib, dexamethasone, dexamethasone sodium phosphate, triamcinolone, triamcinolone acetonide, fluocinolone, taxol-like drugs, aflibercept, anecortave acetate, and limus family compounds.

59. The method of claim 58, wherein the limus family compounds are selected from the group consisting of sirolimus, SDZ-RAD, tacrolimus, everolimus, pimecrolimus, zotarolimus, CCI-779, AP23841, and ABT-578, analogs, derivatives, conjugates, salts, and modifications thereof, and combinations thereof.

60. The method of claim 52, wherein the active agent is used to treat an ocular condition selected from the group consisting of macular edema, cystoid macular edema, diabetic macular edema, post-operative macular edema, retinal edema, age-related macular degeneration, BRVO, CRVO, uveitis, and central serous chorioretinopathy.

61. The method of claim 52, wherein the actuation mechanism delivers the active agent into the intraocular space at a rate ranging from about 1  $\mu\text{l}/\text{sec}$  to about 1 ml/sec.

62. The method of claim 52, wherein the actuation mechanism delivers the active agent into the intraocular space at a rate ranging from about 5  $\mu\text{l}/\text{sec}$  to about 200  $\mu\text{l}/\text{sec}$ .

63. The method of claim 52, wherein the actuation mechanism delivers the active agent into the intraocular space at a rate ranging from about 10  $\mu\text{l}/\text{sec}$  to about 100  $\mu\text{l}/\text{sec}$ .



64. The method of claim 52, wherein the actuation mechanism generates a force of about 0.1 N to about 1.0 N.

65. The method of claim 52, wherein the dynamic resistance component comprises a slidable element coupled to the housing of the integrated device.

66. The method of claim 65, wherein the slidable element comprises a dynamic sleeve having a tapered proximal end and a tapered distal end.

67. The method of claim 65, wherein the step of applying pressure against the surface of the eye retracts the slidable element to expose the dispensing member.

68. The method of claim 67, further comprising the step of manual actuation of a plunger to deliver the active agent.

69. The method of claim 52, wherein the step of applying pressure against the surface of the eye comprises slidable advancement of the dynamic resistance component.

70. The method of claim 69, wherein slidable advancement of the dynamic sleeve generates a force between itself and the housing ranging from 0 N to about 2 N.

71. The method of claim 69, wherein slidable advancement of the dynamic sleeve generates a force between itself and the housing ranging from about 0.1 N to about 1 N.

72. The method of claim 69, wherein the slidable advancement is manually adjustable.

73. The method of claim 69, wherein the slidable advancement is automatically adjustable.

74. The method of claim 52, wherein the dynamic resistance component comprises an ocular wall tension control mechanism.

75. An integrated device for intraocular drug delivery comprising:

a housing sized and shaped for manipulation with one hand, the housing having a proximal end and a distal end;

an ocular contact surface at the housing distal end;  
a measuring component;  
a conduit at least partially within the housing, the conduit having a proximal end, a distal end, and a lumen extending therethrough;  
an actuation mechanism contained within the housing and operably connected to the conduit and a reservoir for holding an active agent;  
a trigger coupled to the housing and configured to activate the actuation mechanism;  
and  
an ocular wall tension control mechanism coupled to the housing.

76. The integrated device of claim 75, wherein the ocular wall tension control mechanism comprises a slidable cap having a locking mechanism.

77. The integrated device of claim 76, wherein the locking mechanism is a manually operated.

78. The integrated device of claim 76, wherein the locking mechanism is an automatically operated mechanism.

79. The integrated device of claim 76, wherein the locking mechanism comprises a locking pin.

80. The integrated device of claim 76, wherein the slidable cap comprises one or more high traction surfaces.

81. The integrated device of claim 80, wherein the one or more high traction surfaces comprise ridges on an inner surface of the slidable cap.

82. The integrated device of claim 75, wherein the ocular wall tension control mechanism comprises a pressure sensor.

83. The integrated device of claim 75, wherein the ocular wall tension control mechanism comprises a pressure accumulator.



84. A method for intraocular drug delivery comprising:

positioning an ocular contact surface of an integrated device on the surface of an eye using a measuring component to determine the location of an injection site, the integrated device further comprising a housing, a dispensing member an ocular wall tension control component, a reservoir for holding an active agent, and an actuation mechanism;

applying pressure against the surface of the eye at a target injection site using the ocular wall tension control component; and

delivering an active agent from the reservoir into the eye by activating the actuation mechanism,

wherein the steps of positioning, applying, and delivering are completed with one hand.

85. The method of claim 84, wherein the step of applying pressure against the surface of the eye comprises slidable advancement of the ocular wall tension control component.

86. The method of claim 85, wherein slidable advancement of the ocular wall tension control mechanism generates a force between itself and the housing ranging from 0 N to about 2 N.

87. The method of claim 85, wherein slidable advancement of the ocular wall tension control component generates a force between itself and the housing ranging from about 0.1 N to about 1 N.

88. An injection device for intraocular drug delivery comprising:

a housing sized and shaped for manipulation with one hand, the housing having a proximal end and a distal end;

an ocular contact surface at the housing distal end;

a conduit at least partially within the housing, the conduit having a proximal end, a distal end, and a lumen extending therethrough;

an actuation mechanism contained within the housing and operably connected to the conduit and a reservoir for holding an active agent;

a trigger coupled to the housing and configured to activate the actuation mechanism;

and

a dynamic resistance component.

89. The injection device of claim 88, wherein the dynamic resistance component comprises a dynamic sleeve having a proximal end, a distal end, and an inner surface.

90. The injection device of claim 89, wherein the proximal end and the distal end of the dynamic sleeve are tapered.

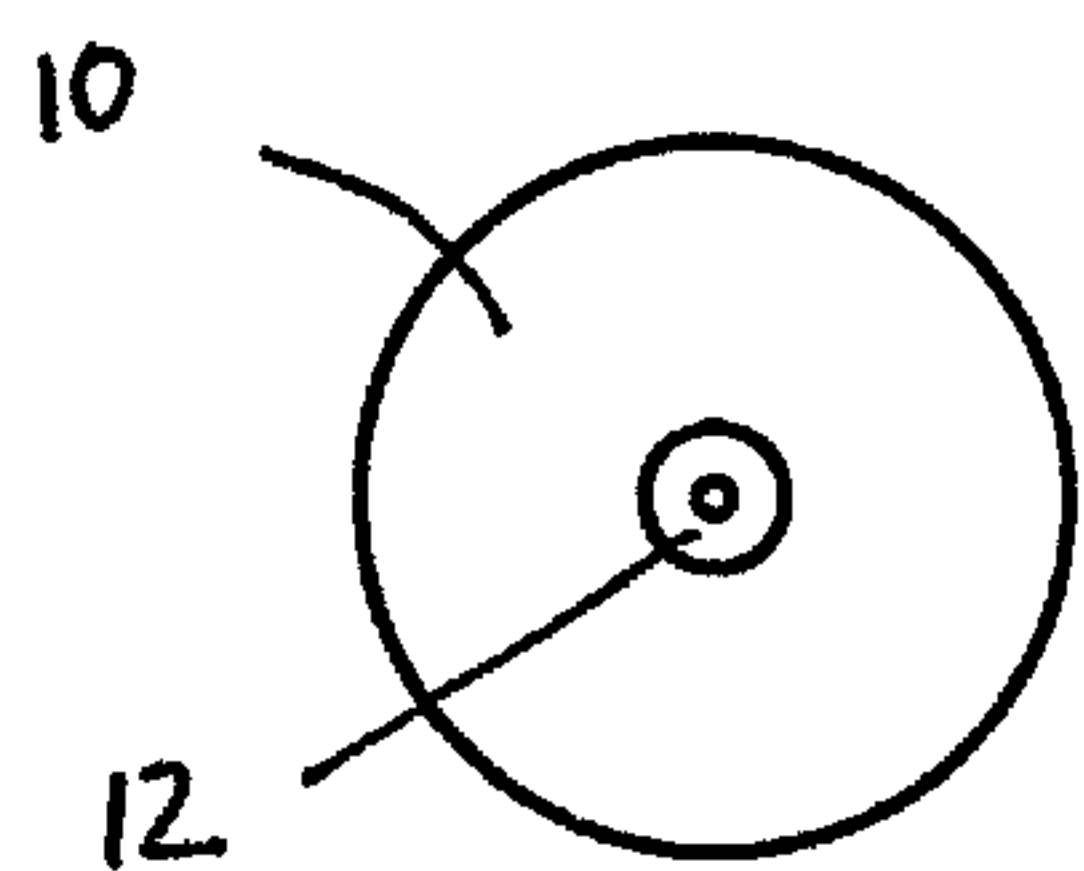
91. The injection device of claim 89, wherein one of the proximal end and the distal end of the dynamic sleeve is tapered.

92. The injection device of claim 89, wherein the inner surface of the dynamic sleeve comprises ridges.

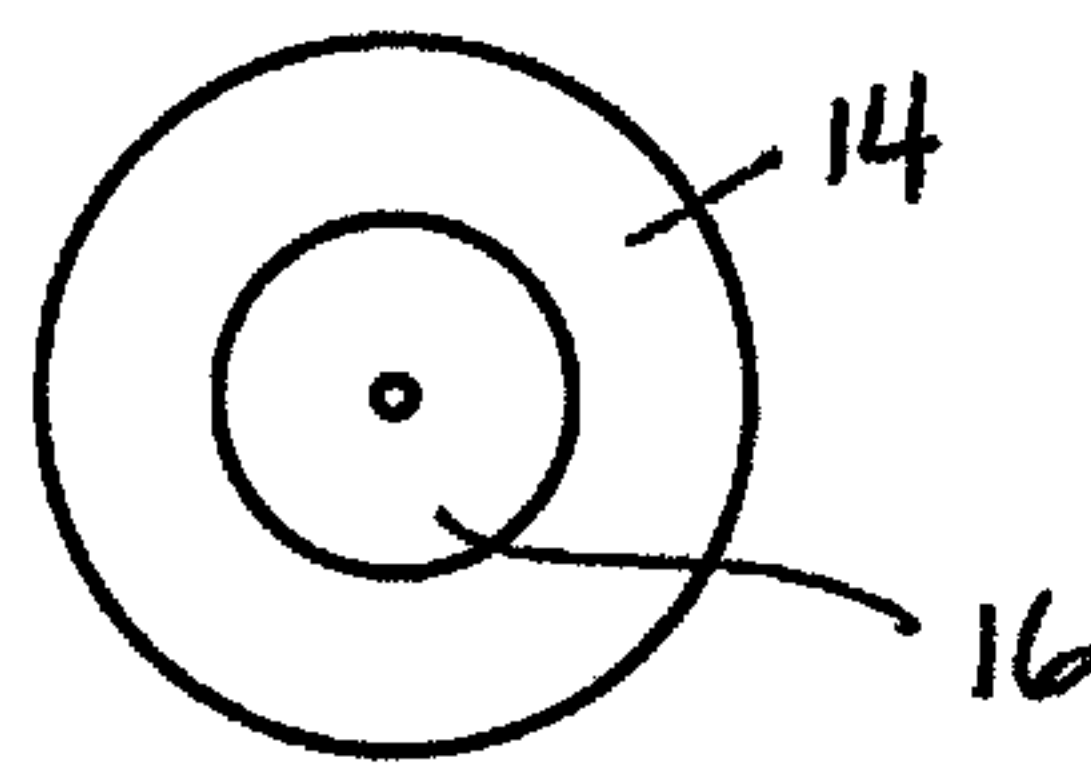
93. The injection device of claim 88, wherein the dynamic sleeve further comprises a fine sleeve mobility control component.

94. The injection device of claim 88, wherein the device further comprises a measuring component.

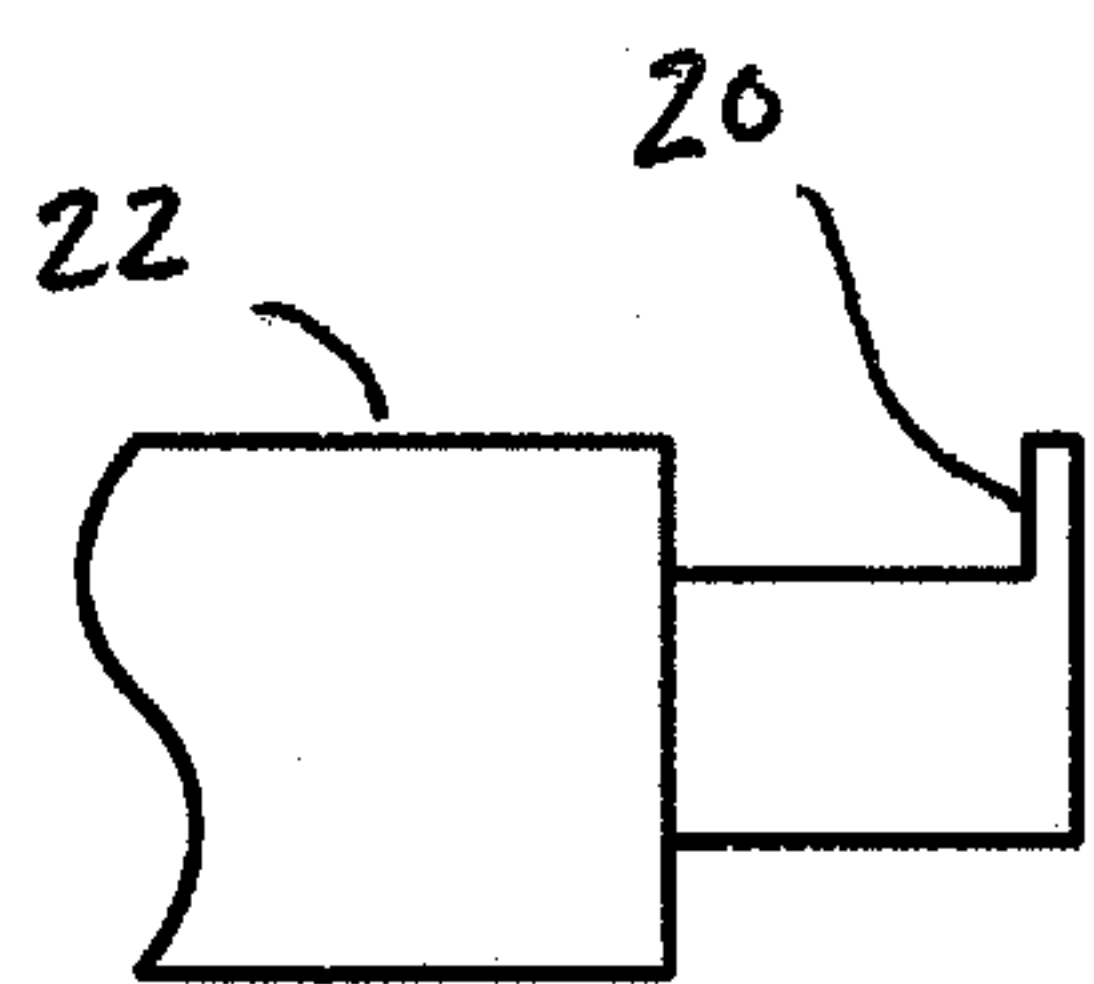




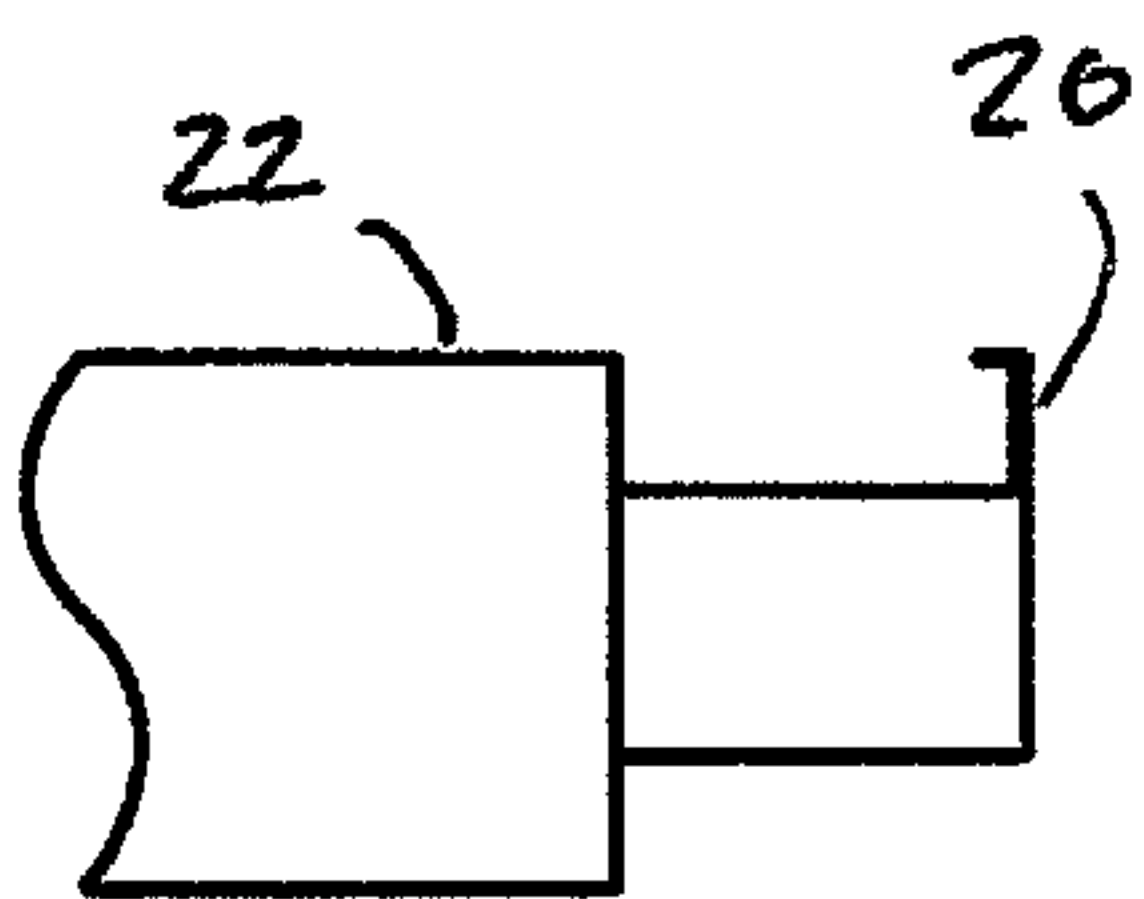
**FIG. 1A**



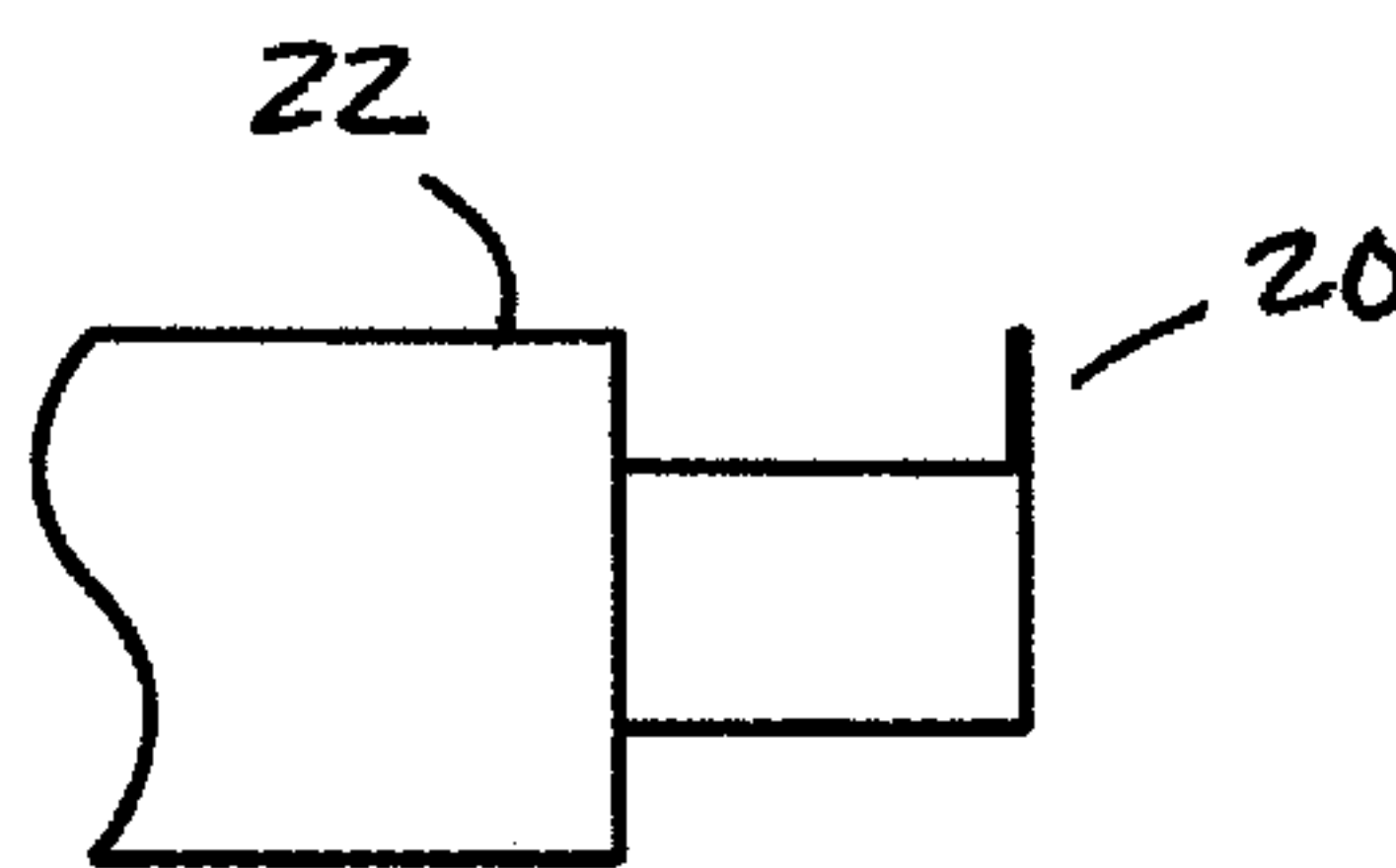
**FIG. 1B**



**FIG. 2A**

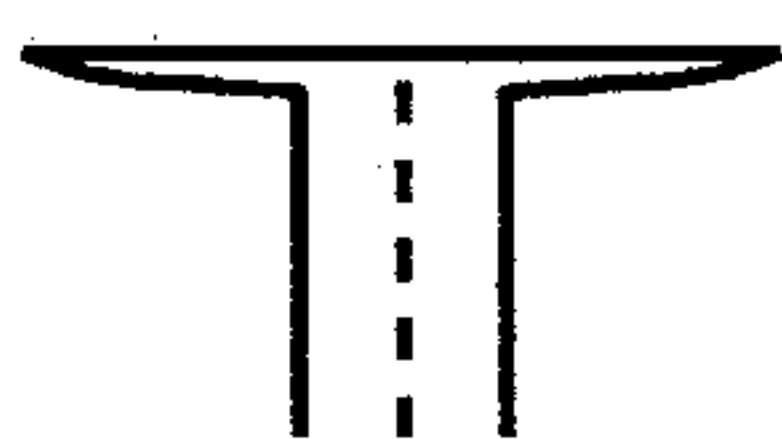


**FIG. 2B**

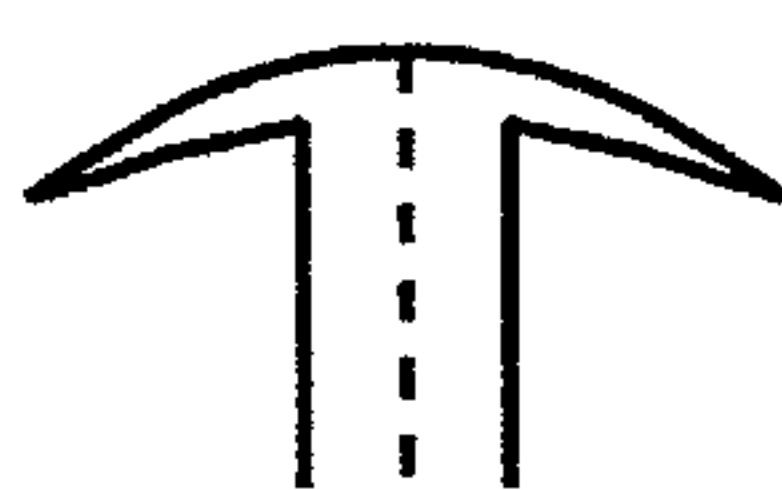


**FIG. 2C**

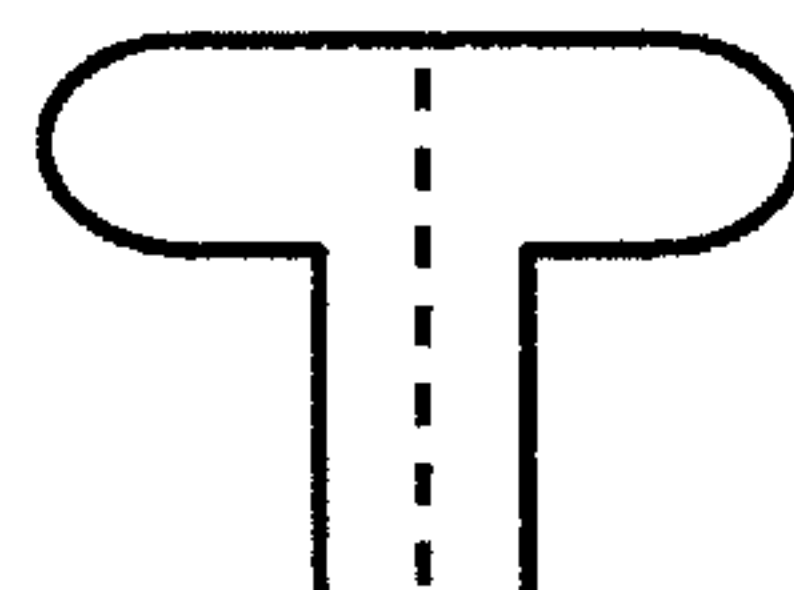
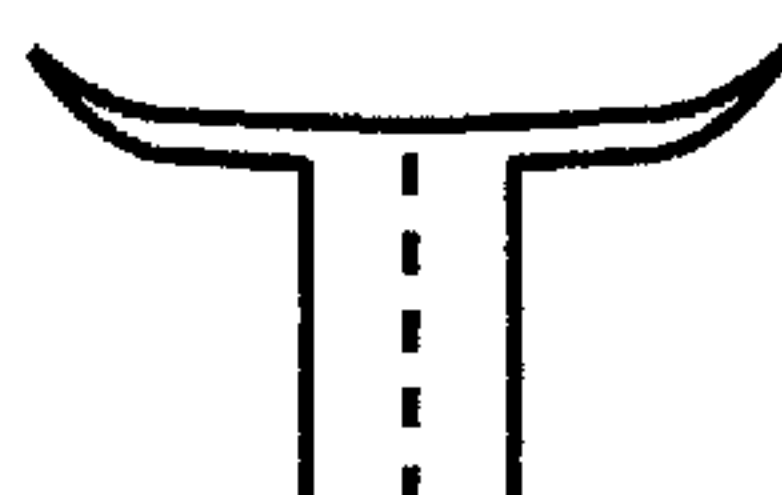
**FIG. 3A1**



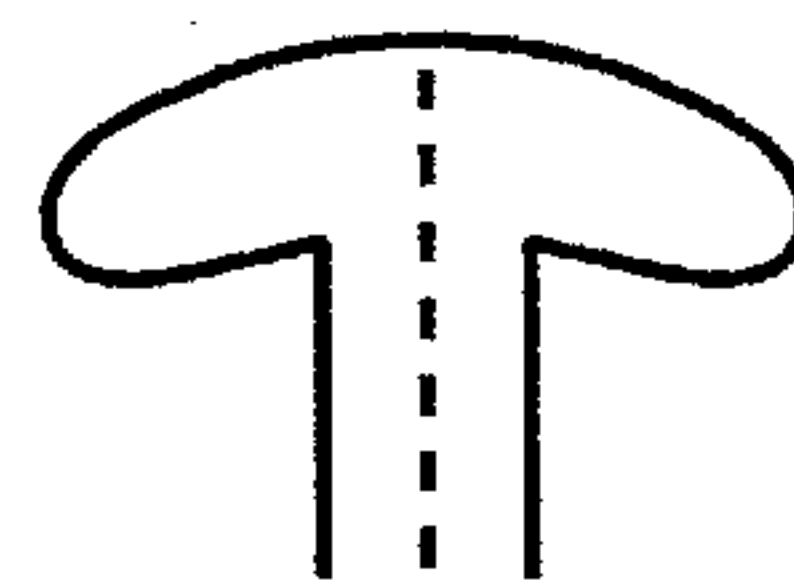
**FIG. 3A2**



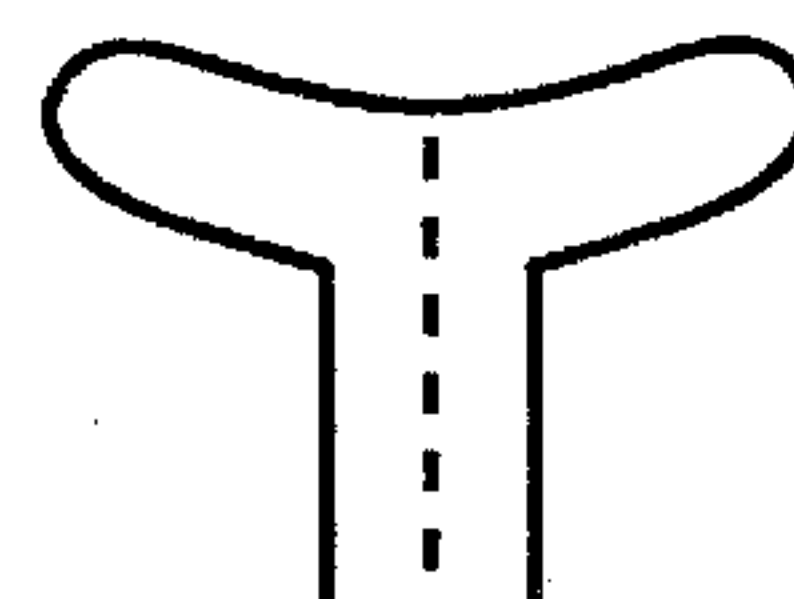
**FIG. 3A3**



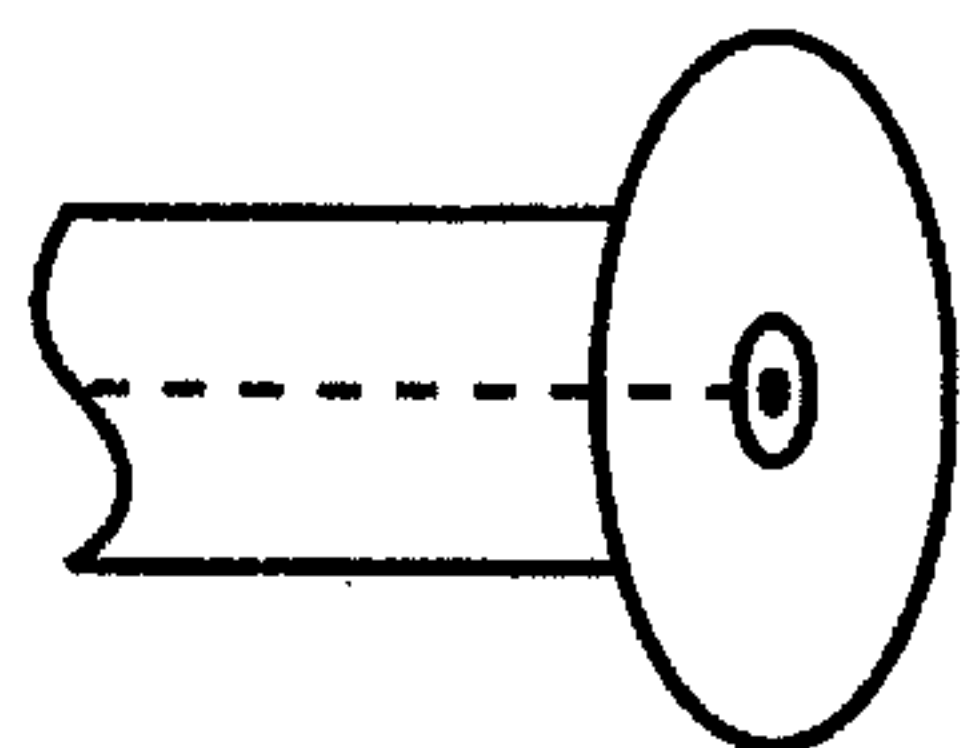
**FIG. 3B1**



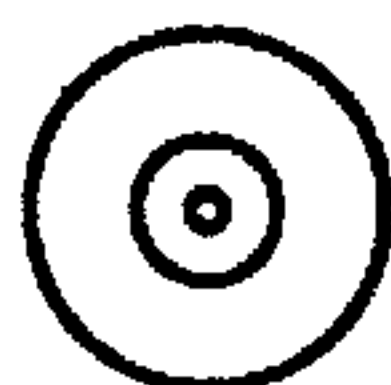
**FIG. 3B2**



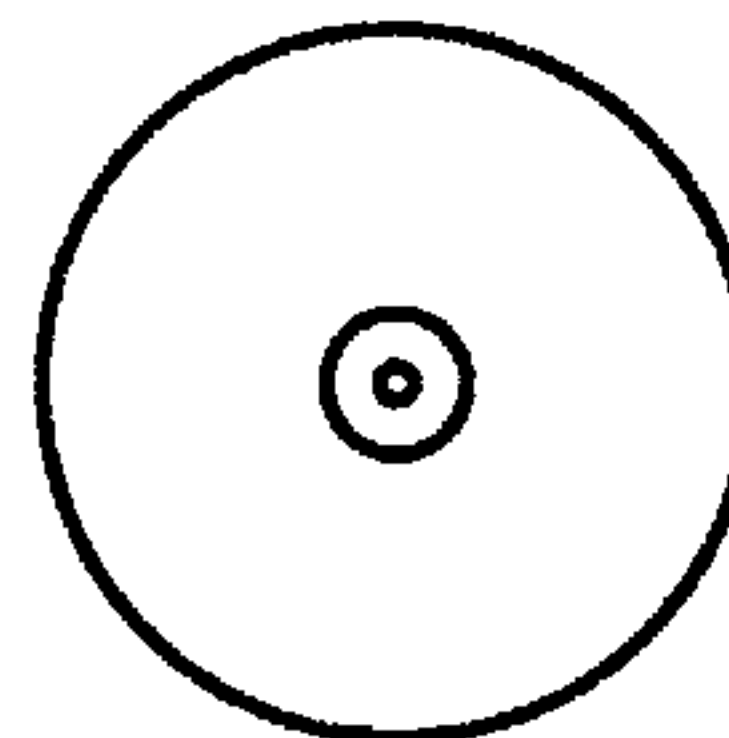
**FIG. 3B3**



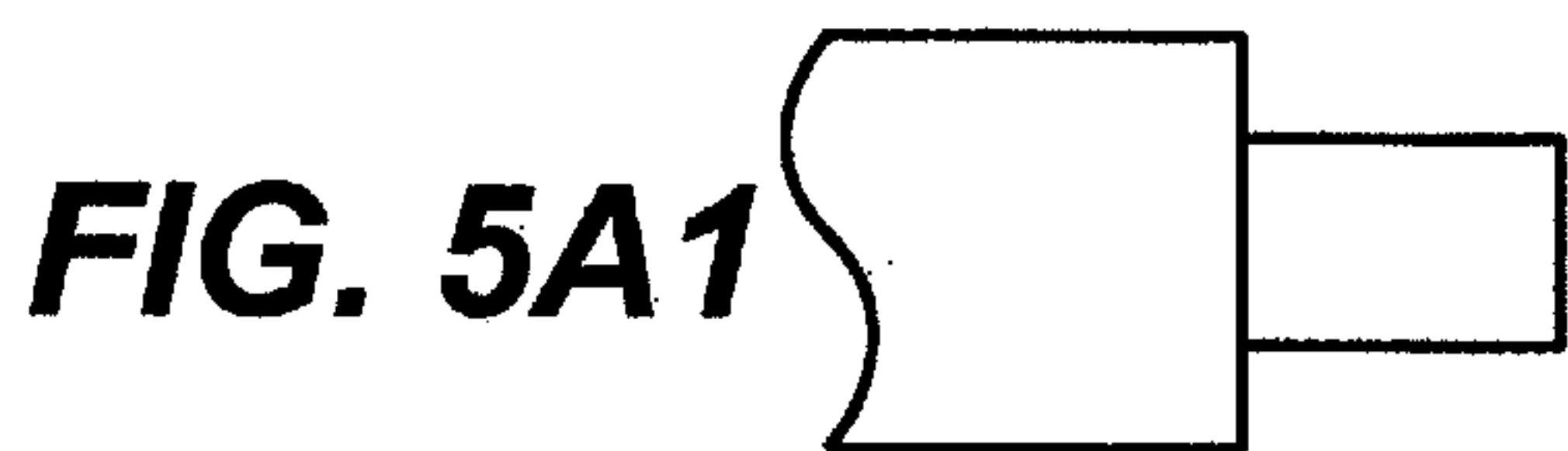
**FIG. 4A**



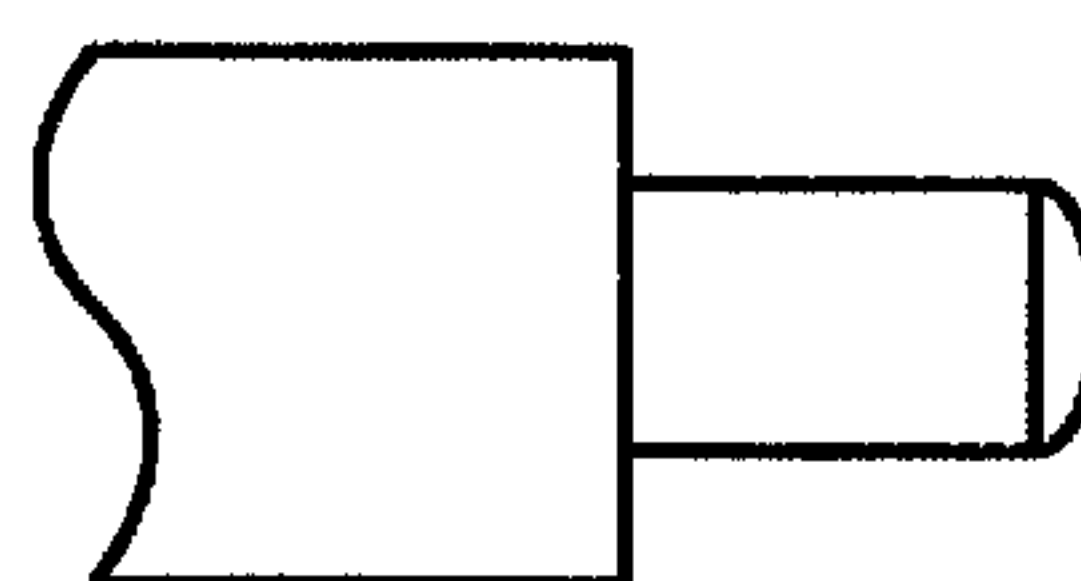
**FIG. 4B1**



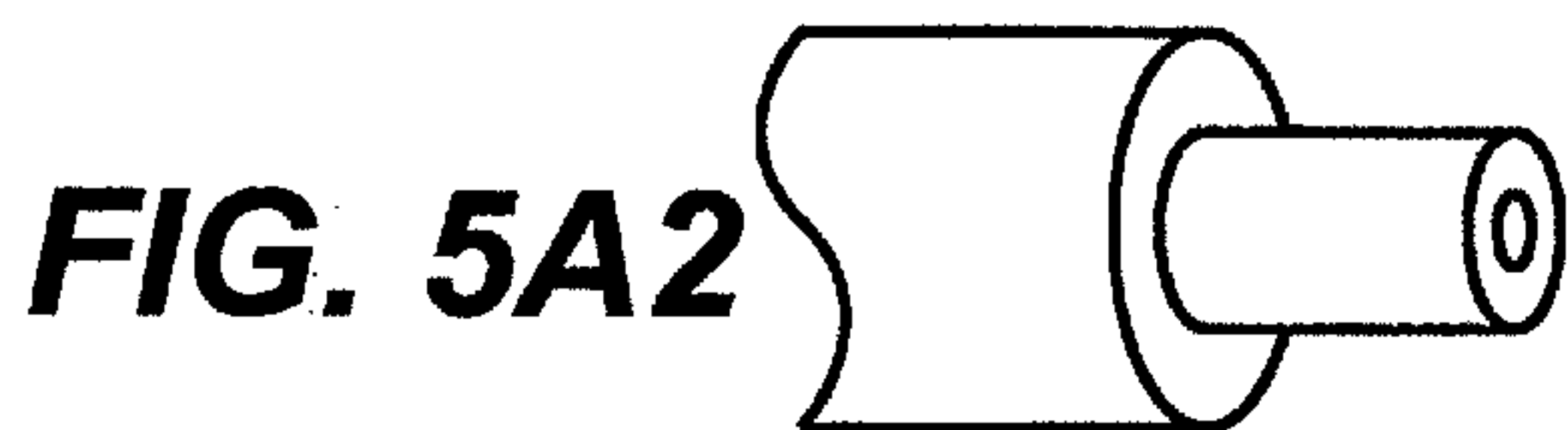
**FIG. 4B2**



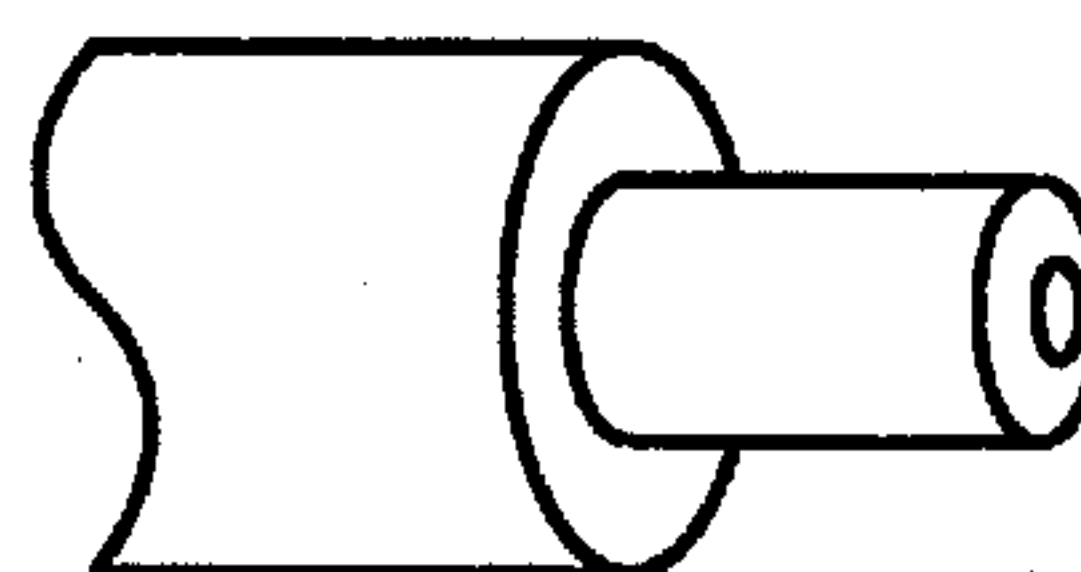
**FIG. 5A1**



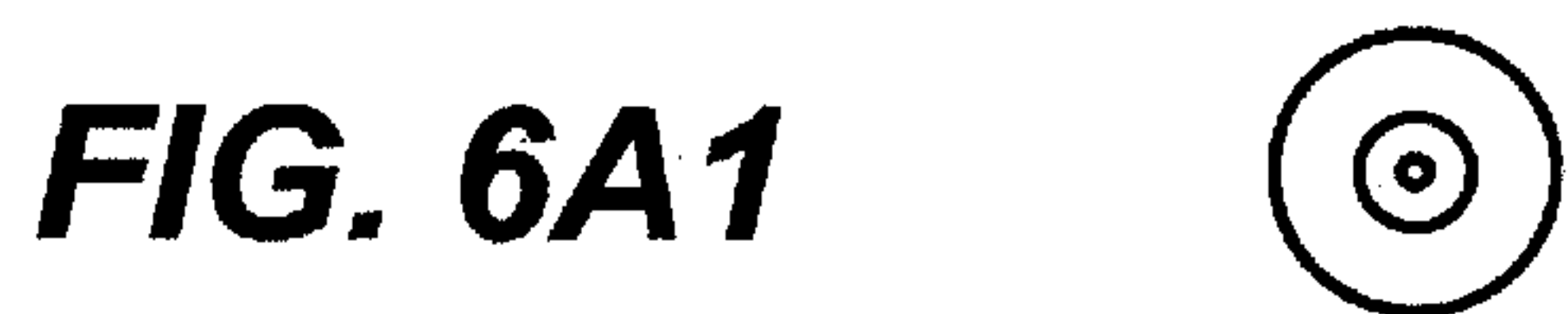
**FIG. 5B1**



**FIG. 5A2**



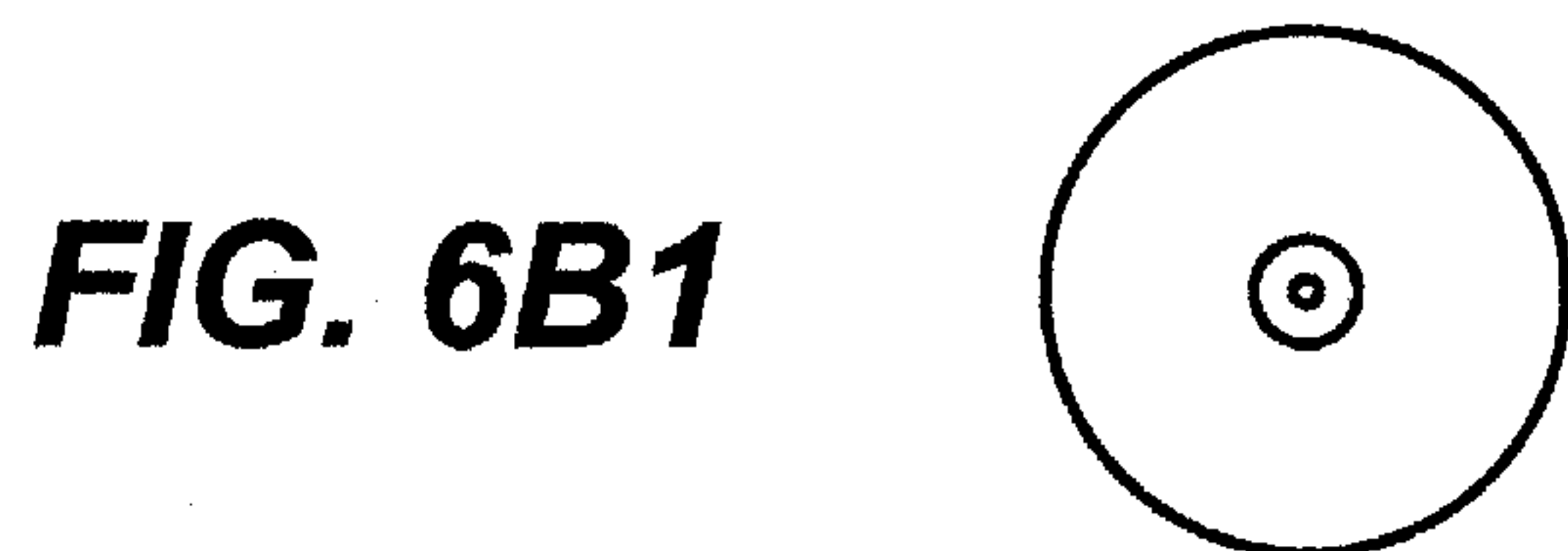
**FIG. 5B2**



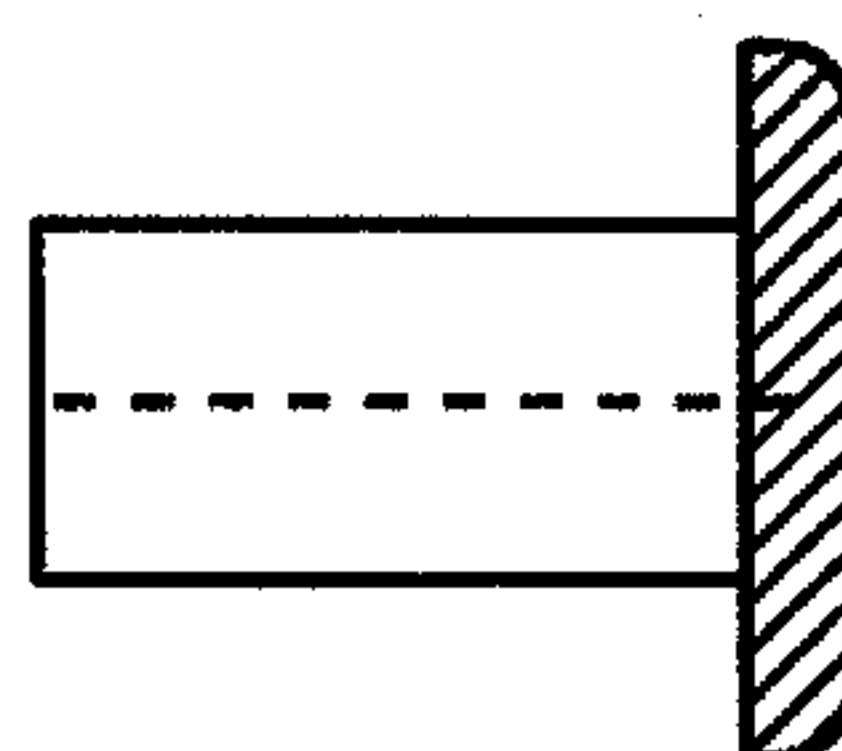
**FIG. 6A1**



**FIG. 6A2**

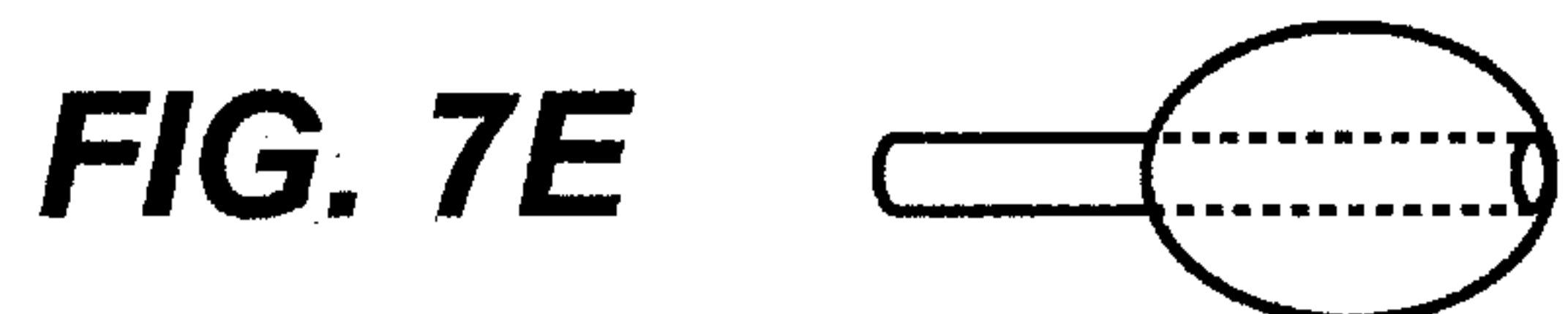
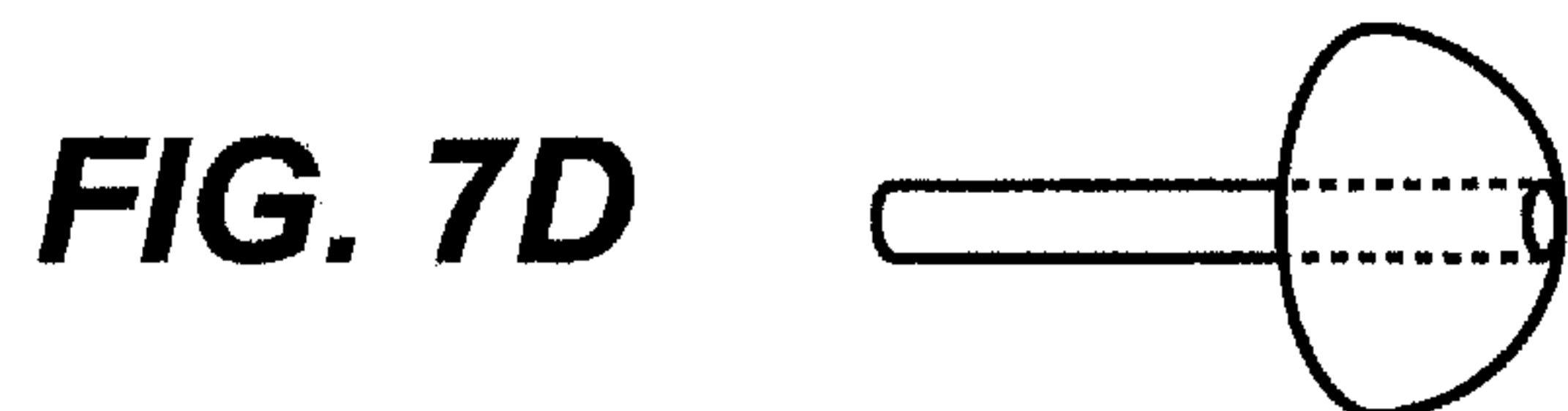
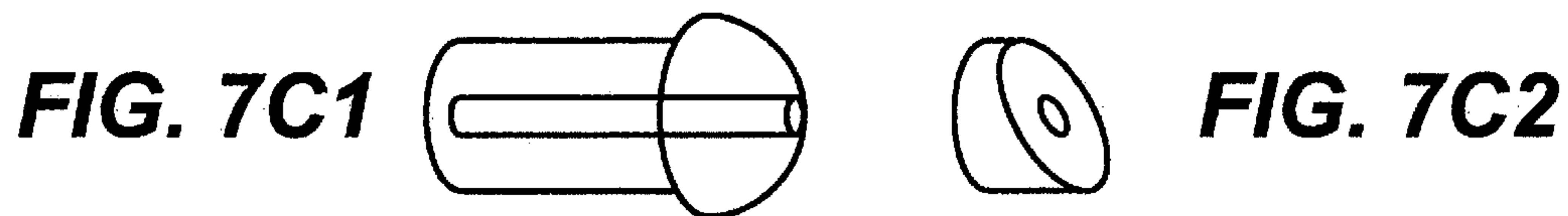


**FIG. 6B1**

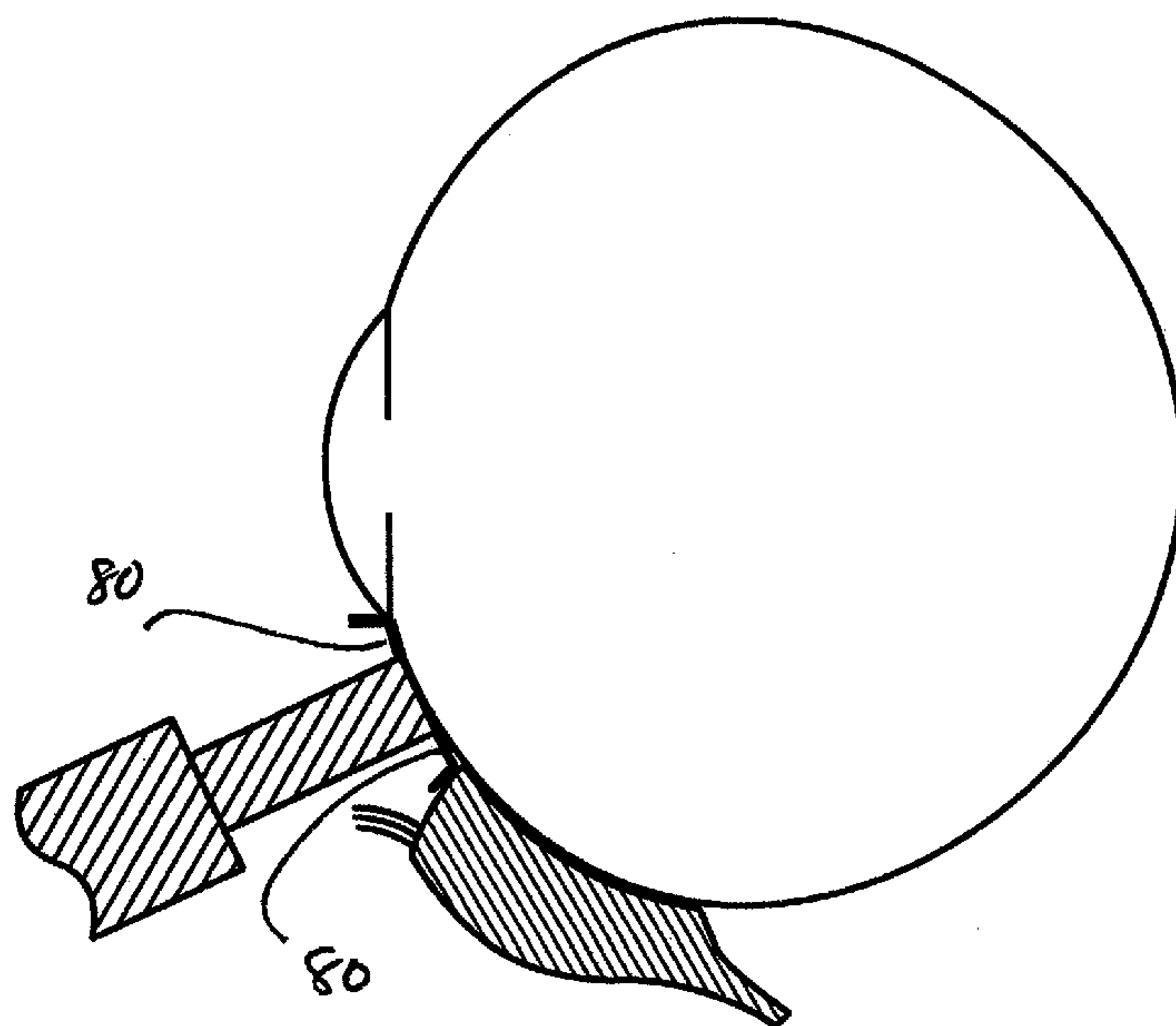


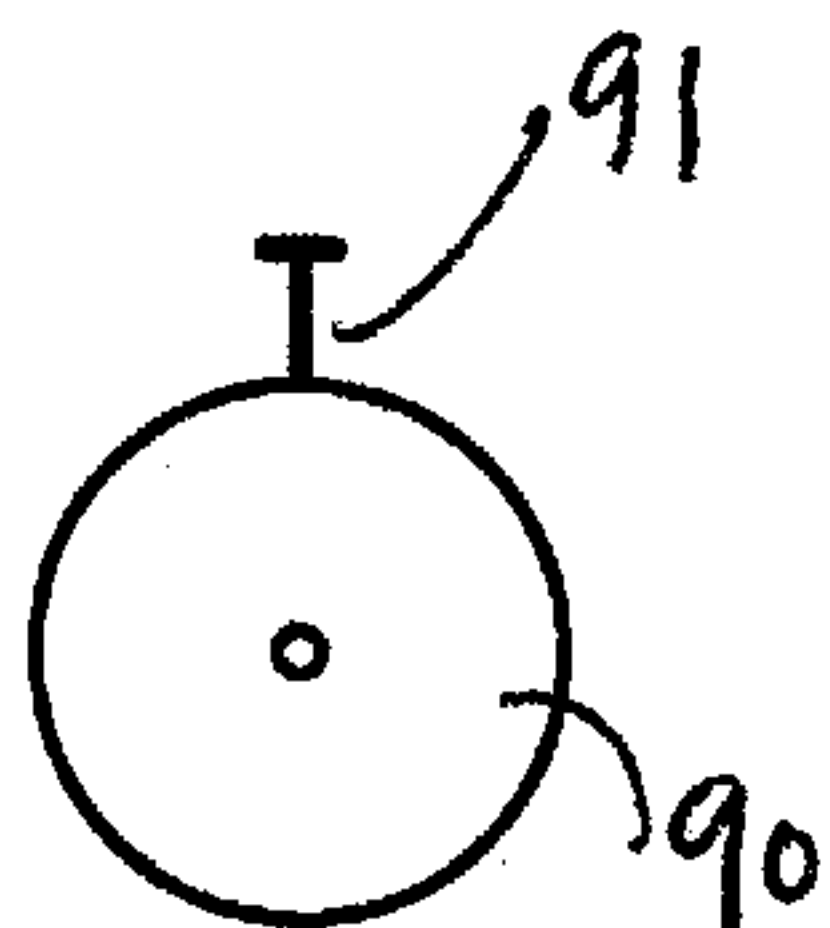
**FIG. 6B2**



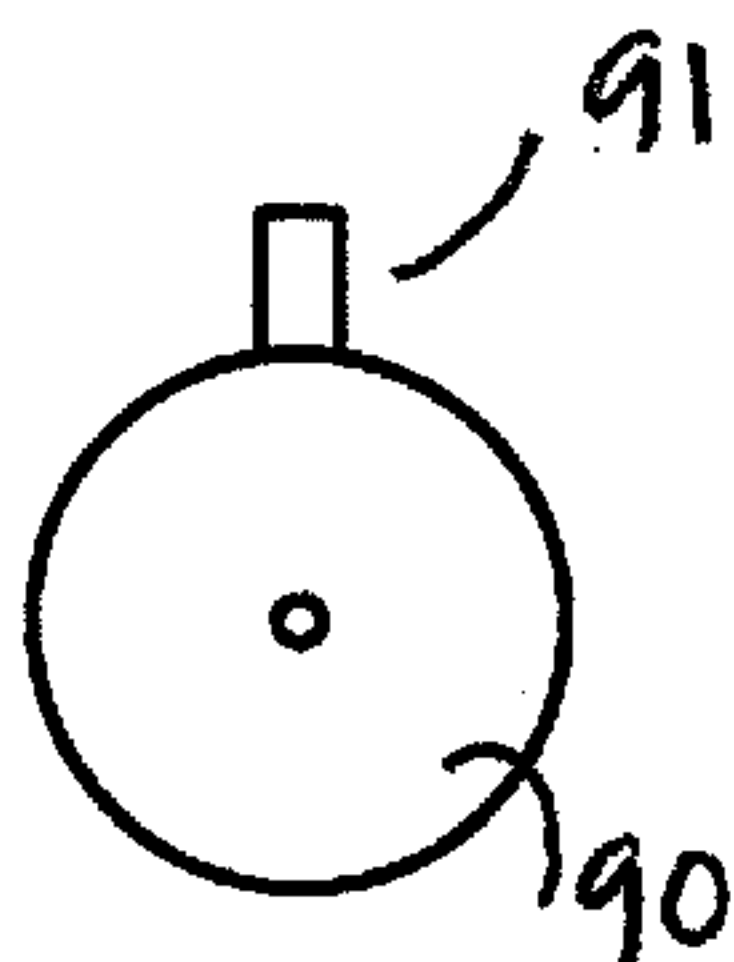


**FIG. 8**

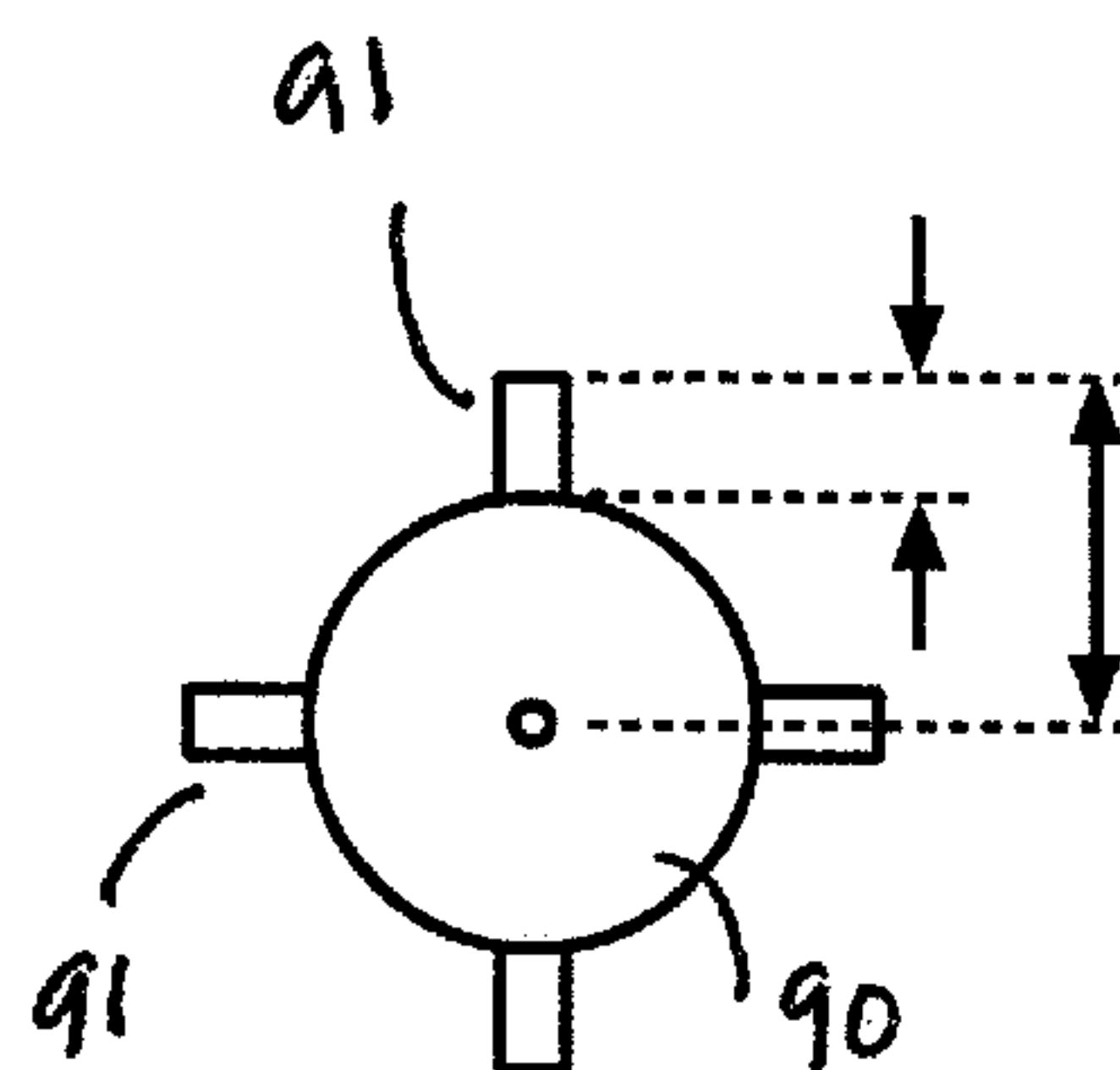




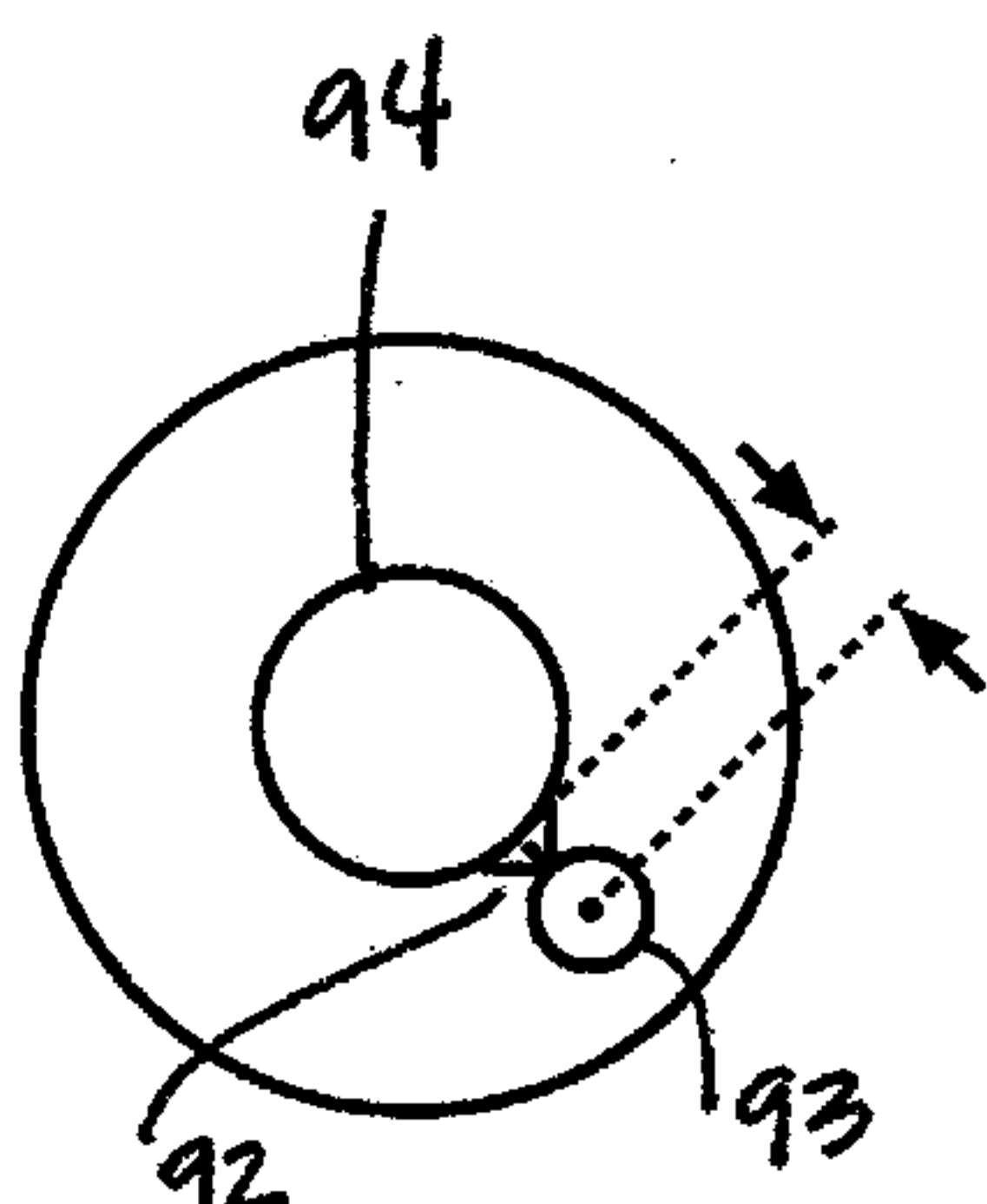
**FIG. 9A**



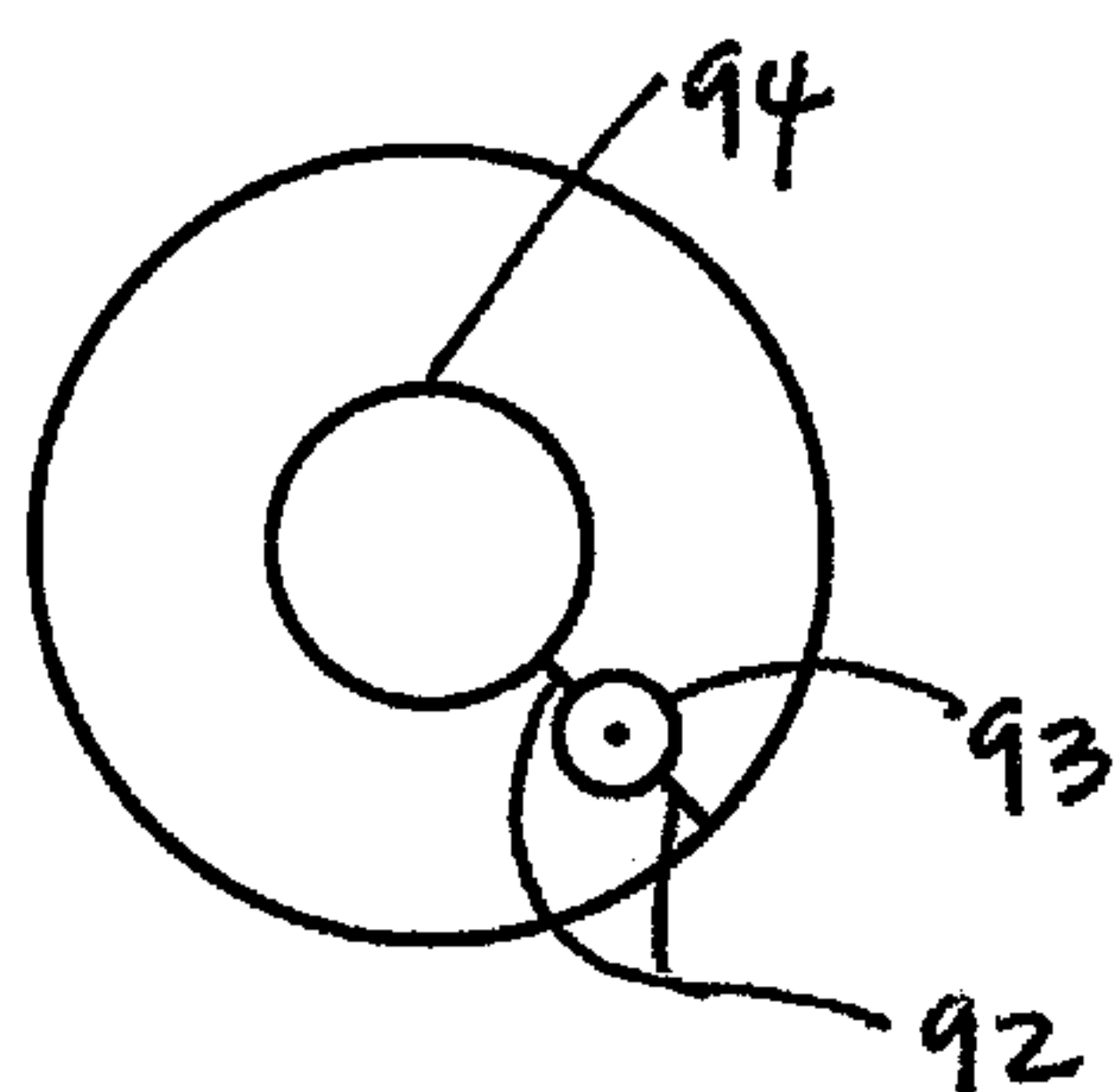
**FIG. 9B**



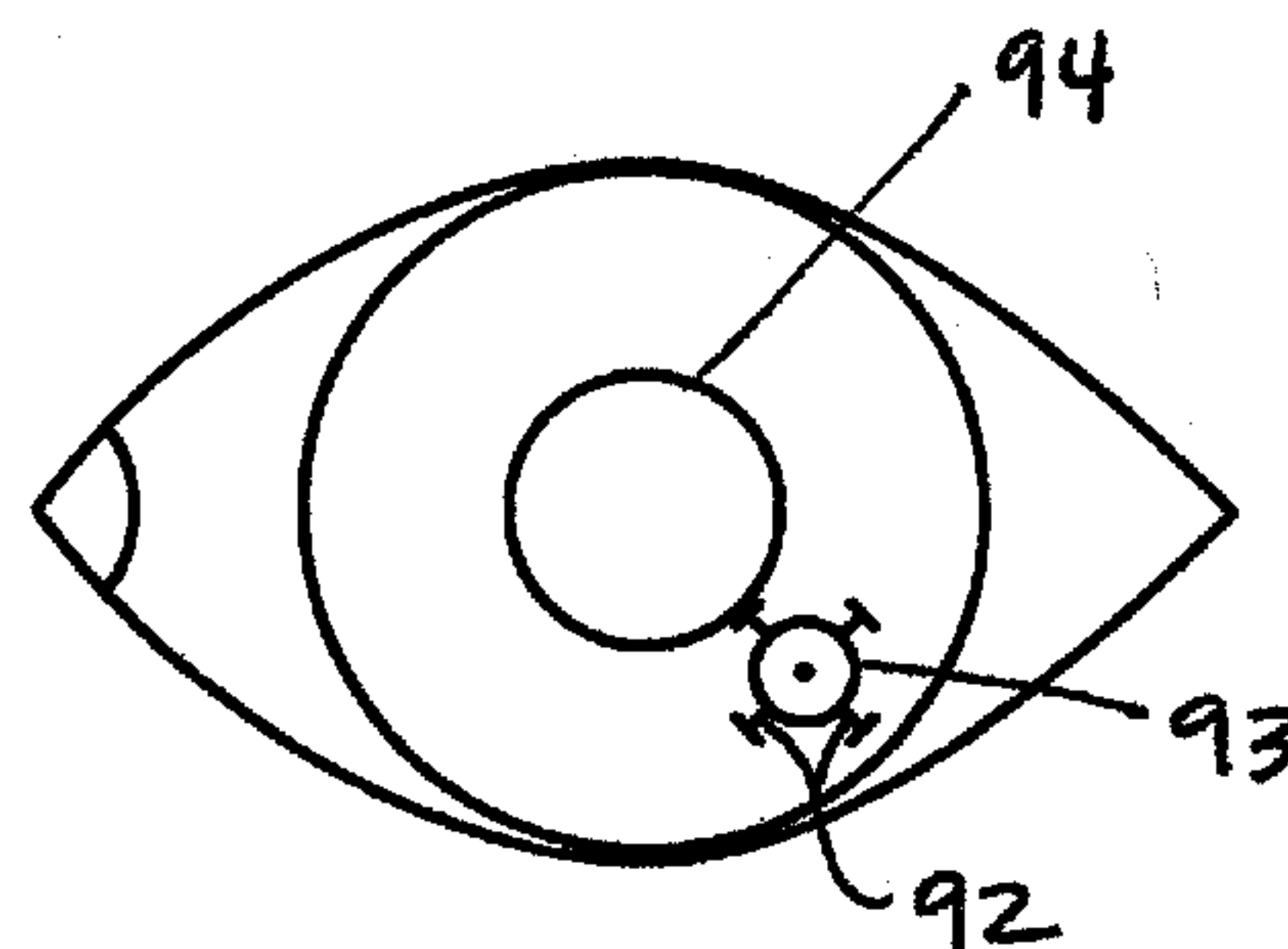
**FIG. 9C**



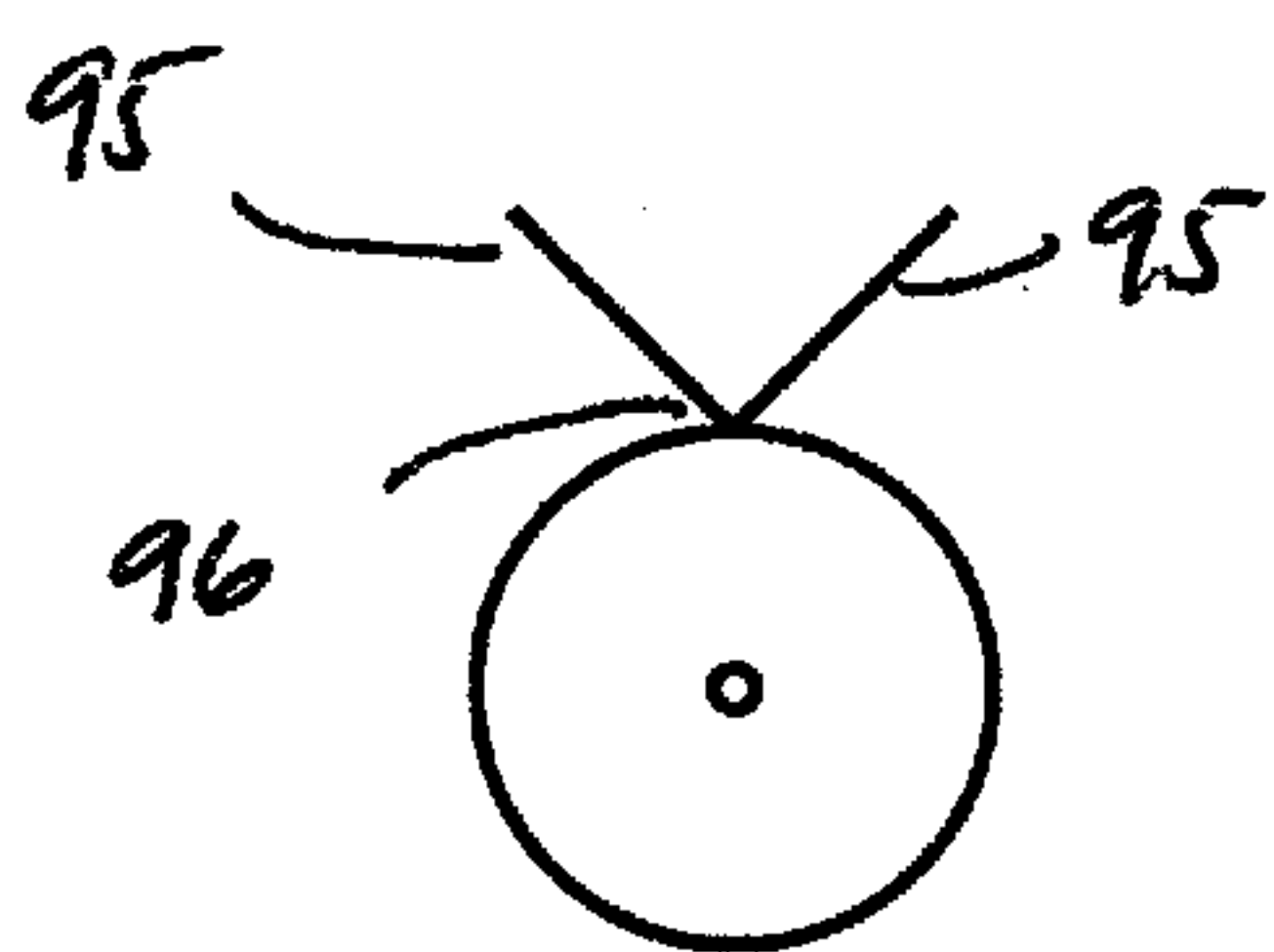
**FIG. 10A**



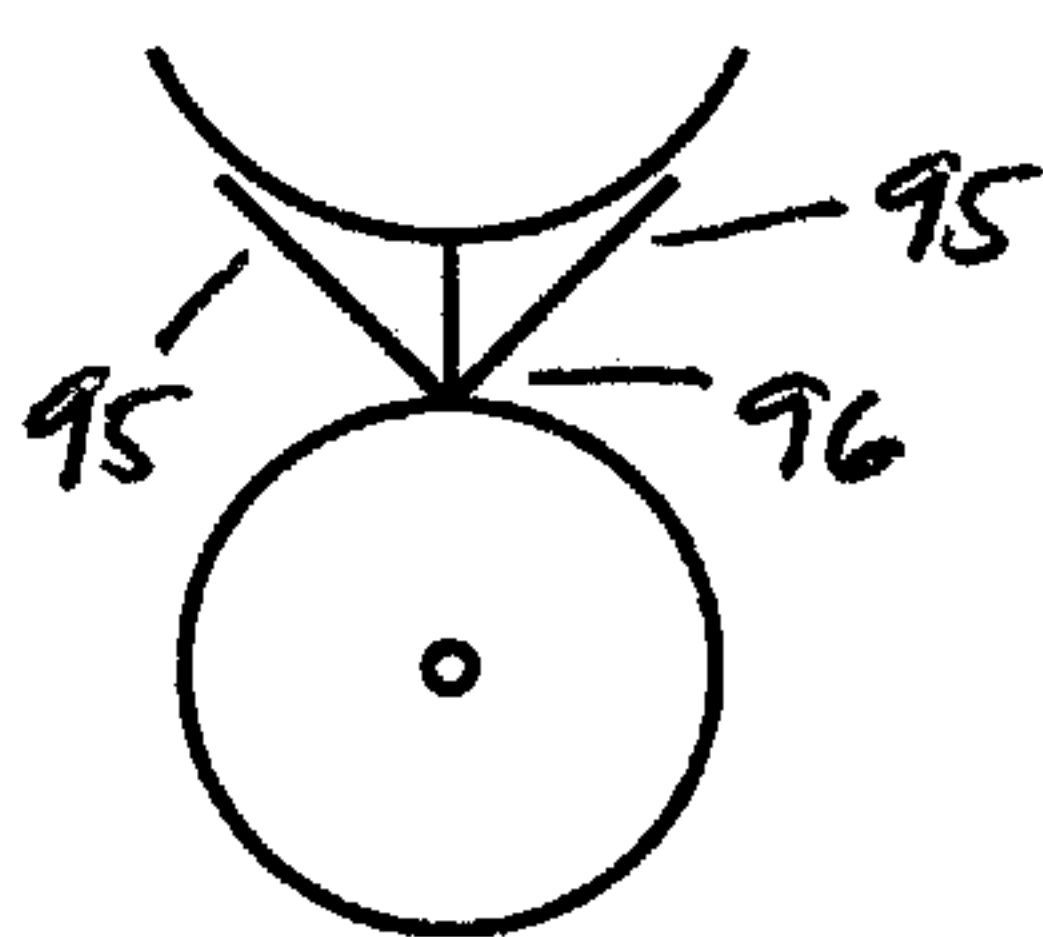
**FIG. 10B**



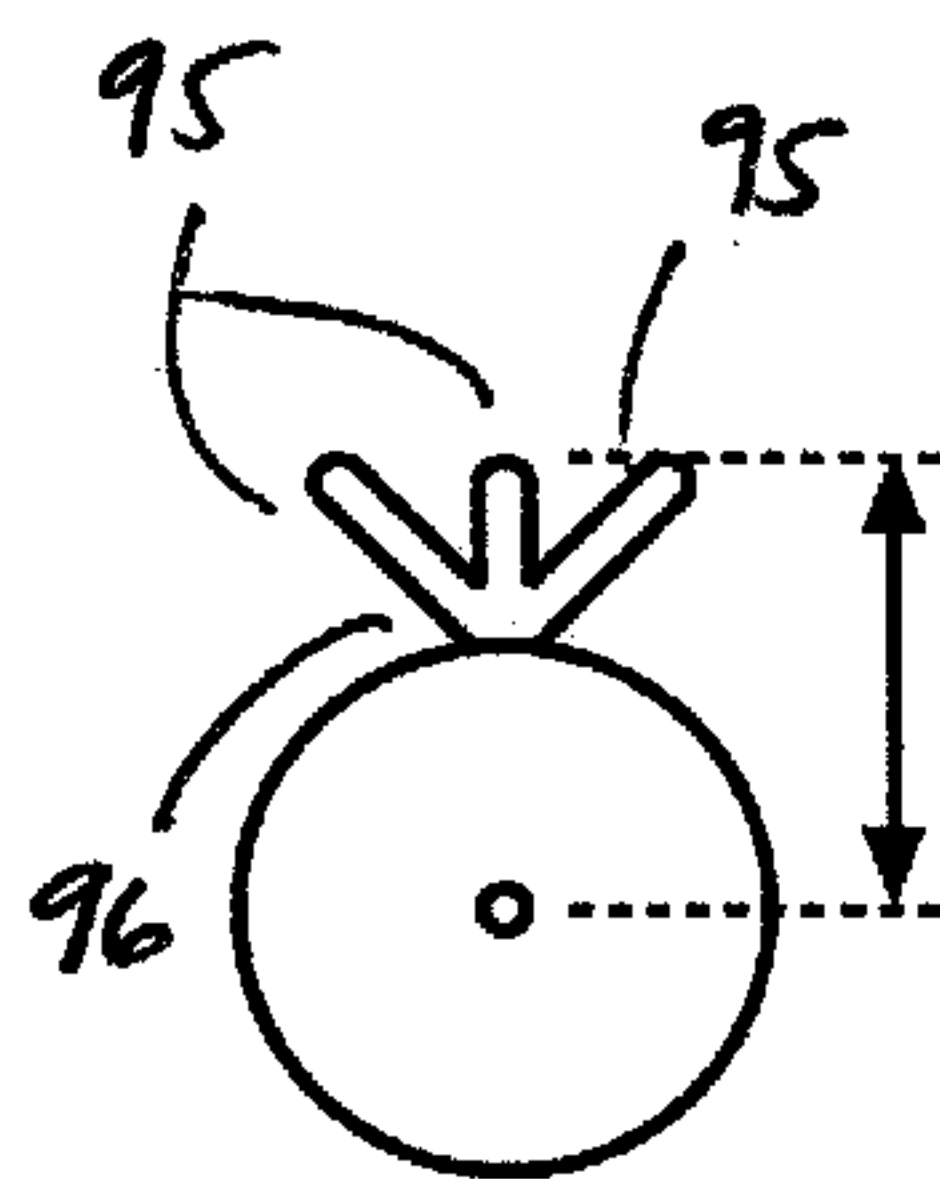
**FIG. 10C**



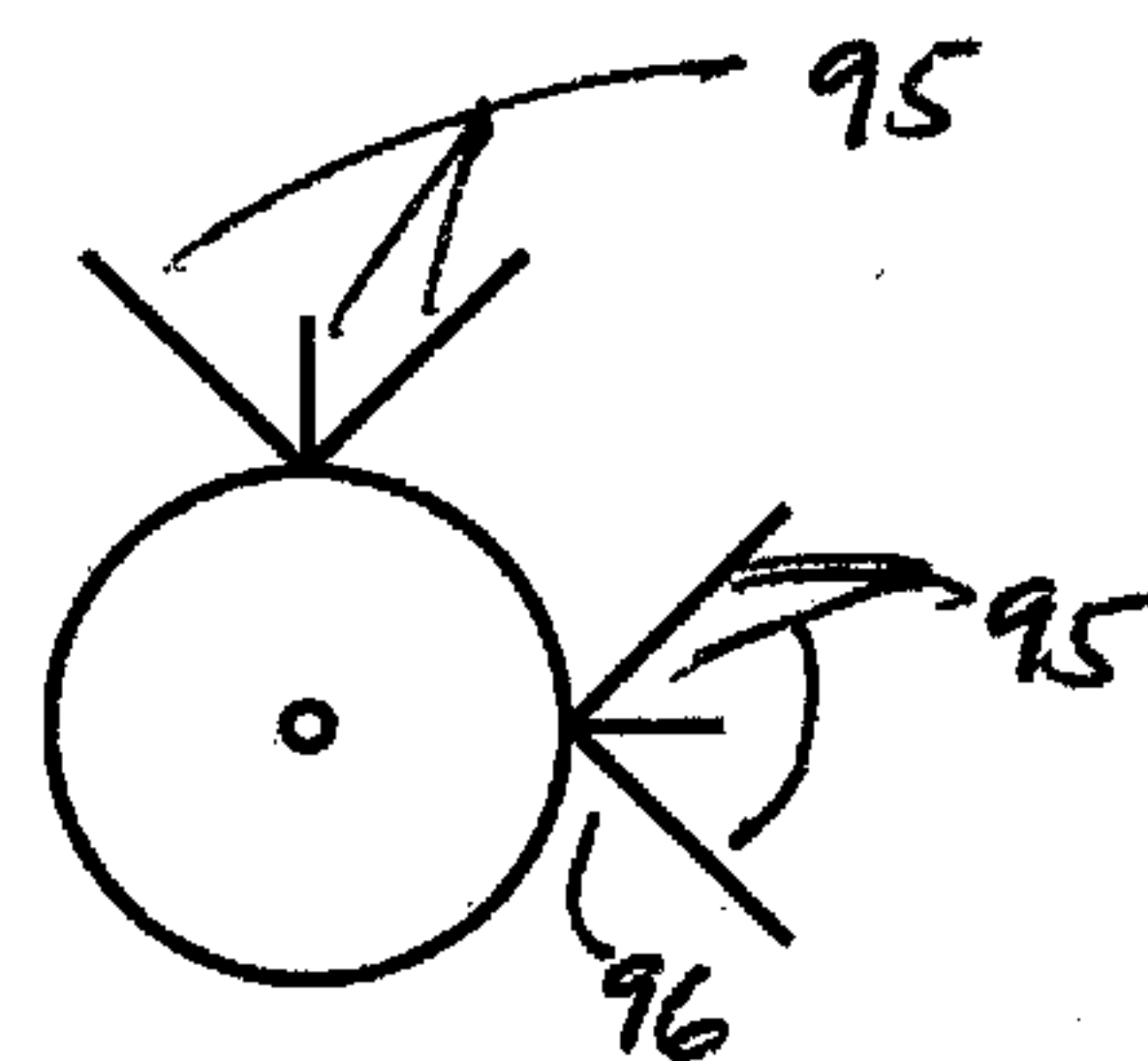
**FIG. 11A**



**FIG. 11B**



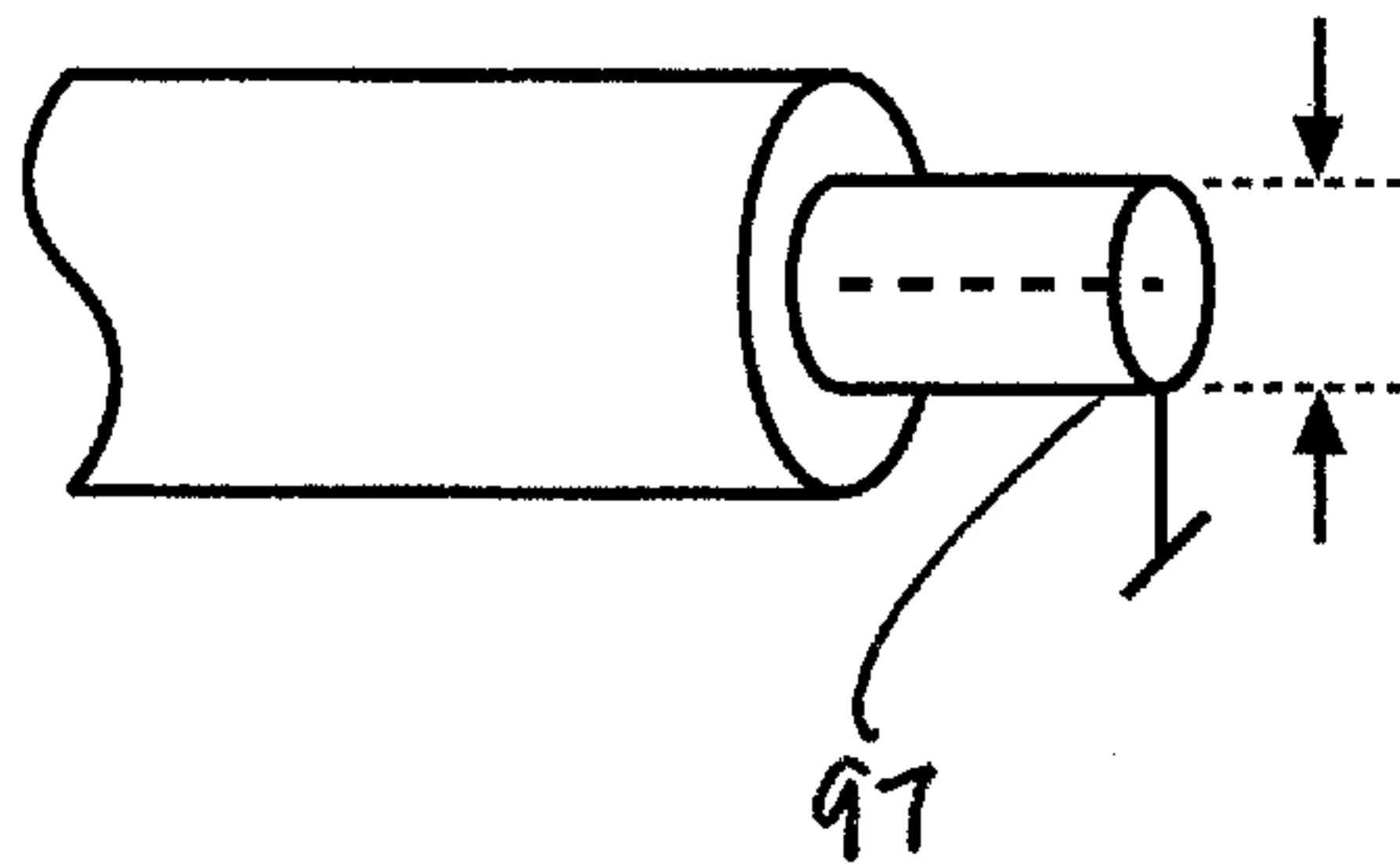
**FIG. 11C**



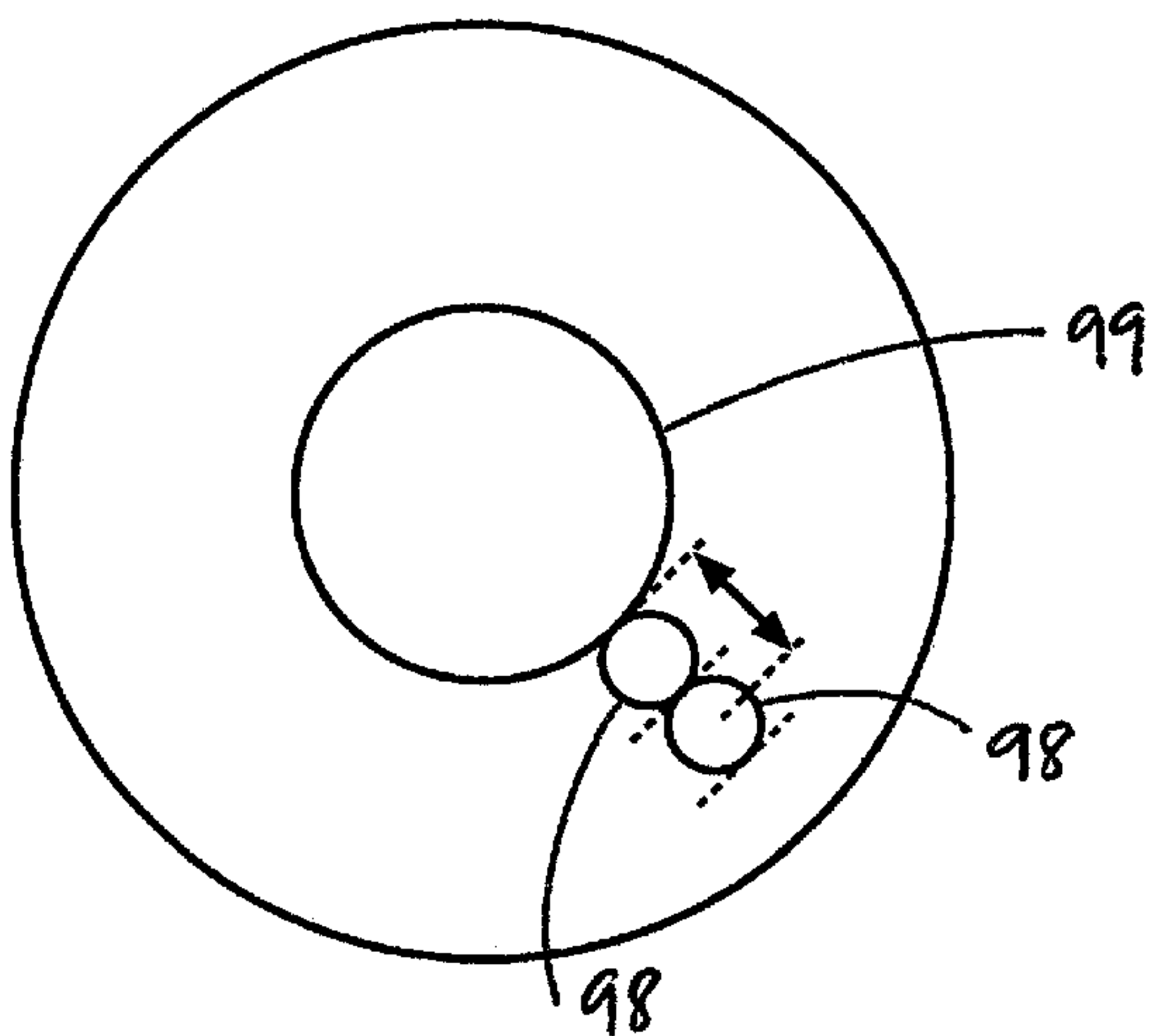
**FIG. 11D**



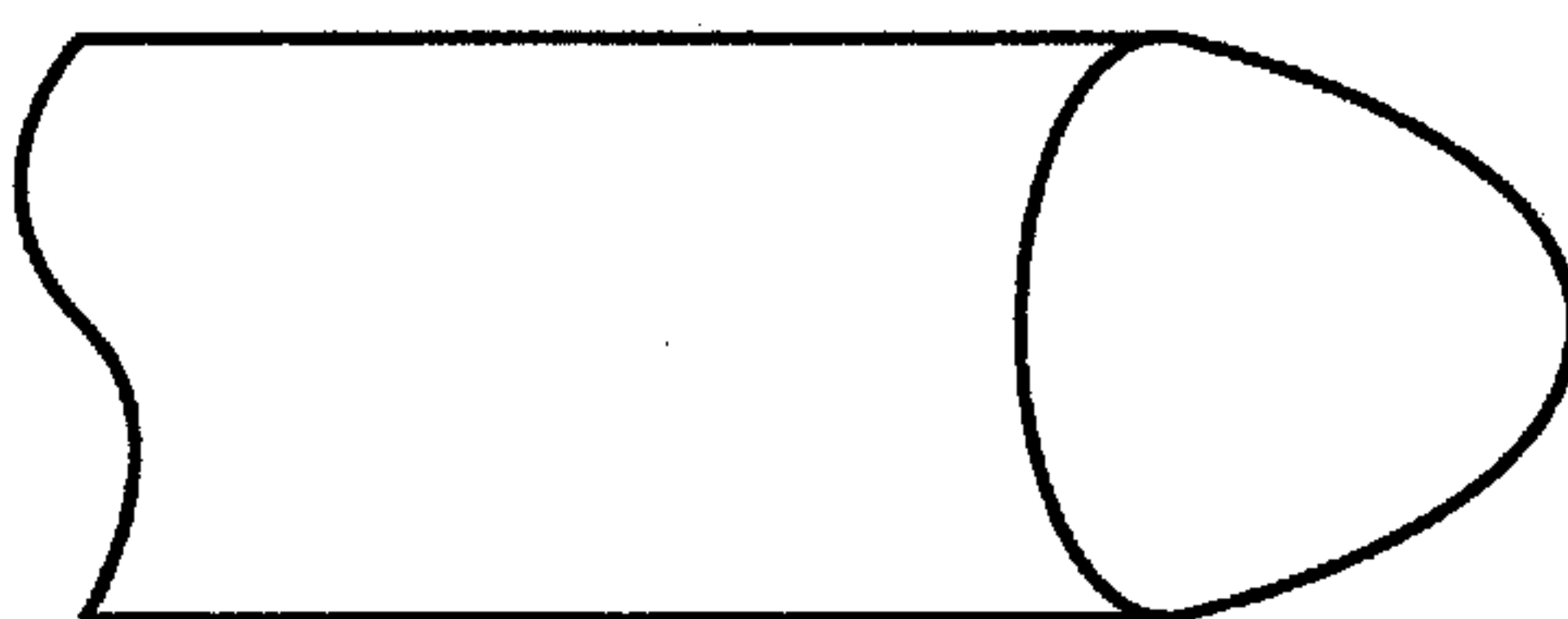
**FIG. 12**



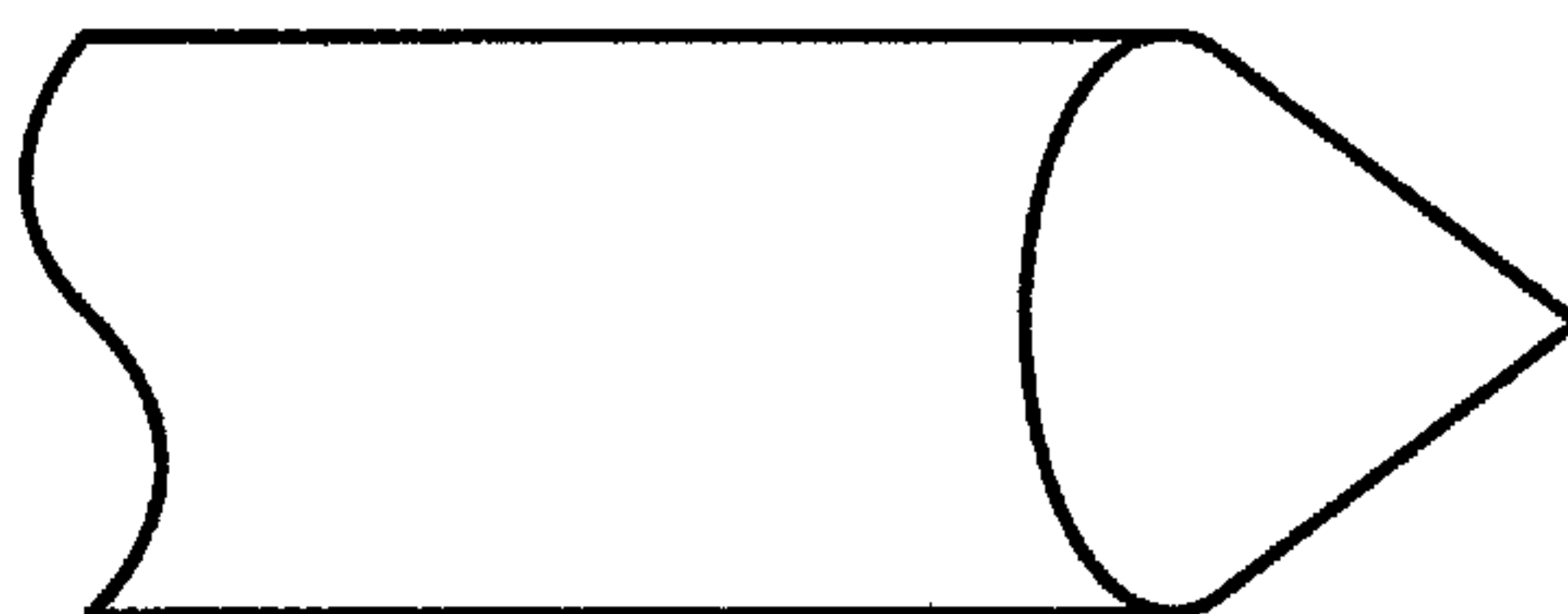
**FIG. 13**



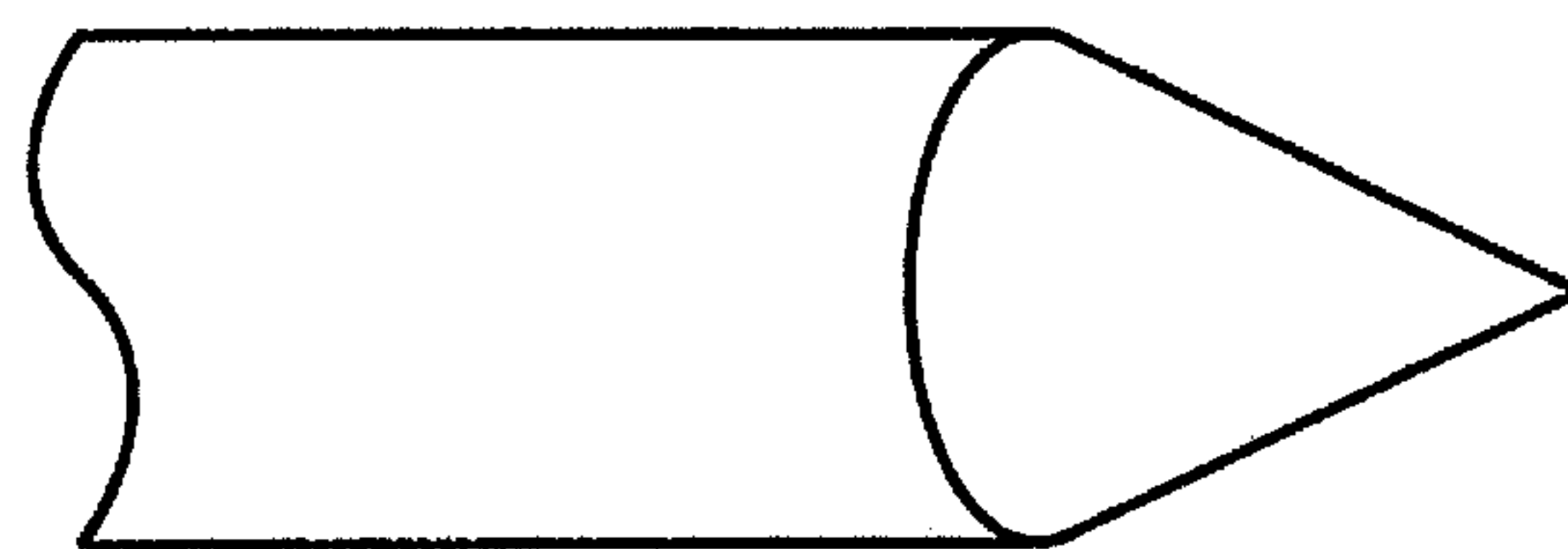
**FIG. 14A**

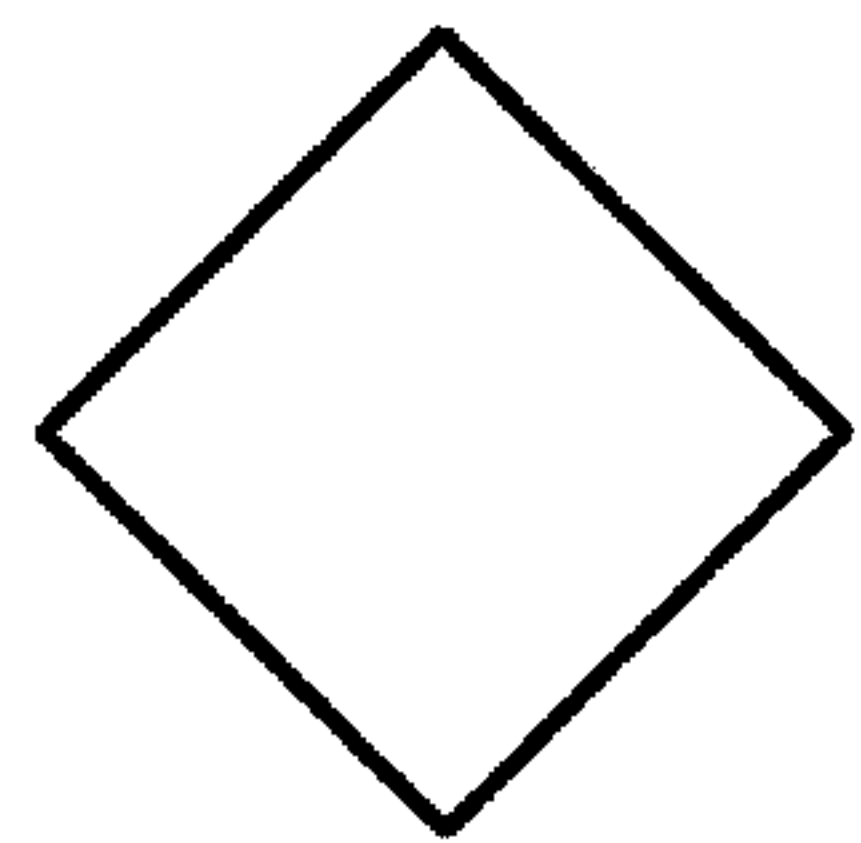
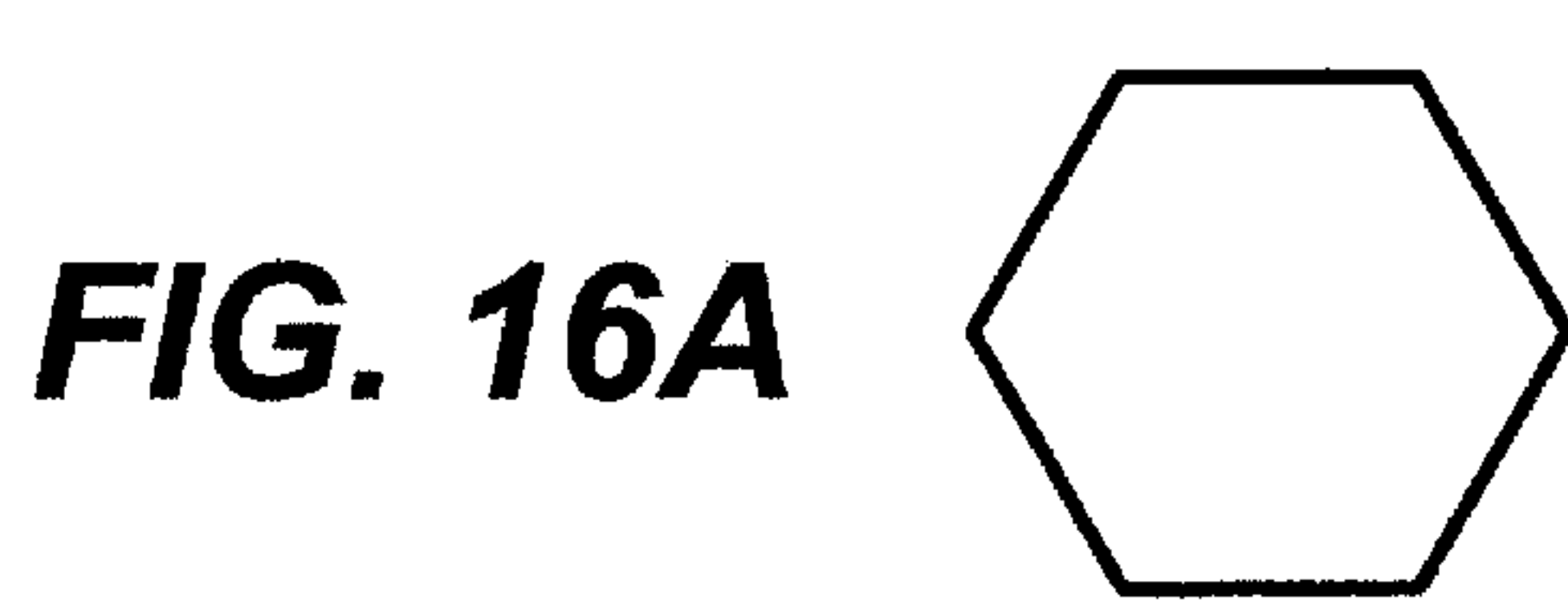
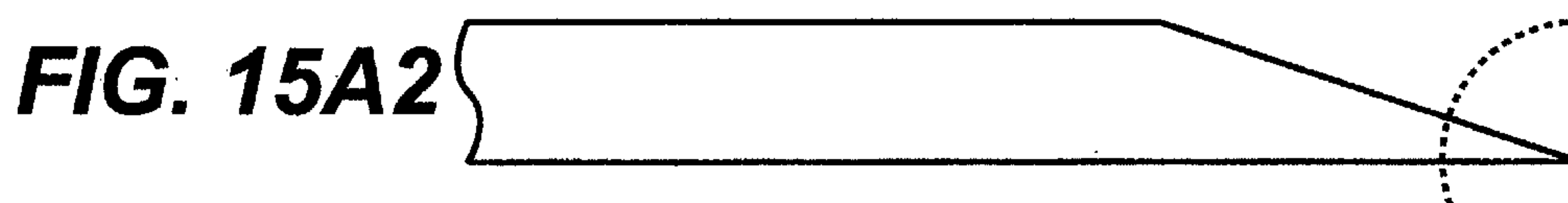


**FIG. 14B**

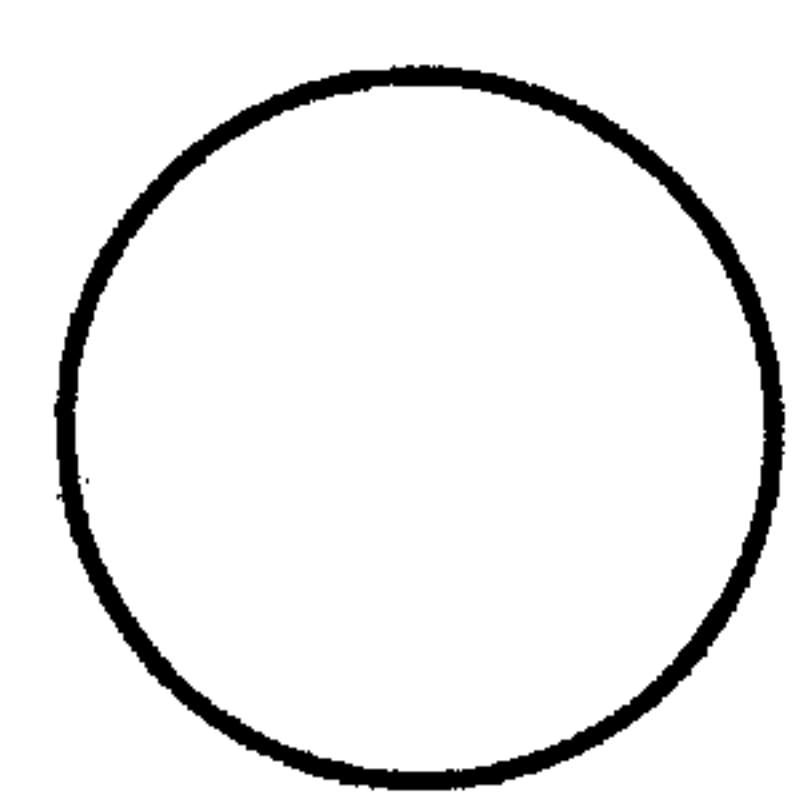
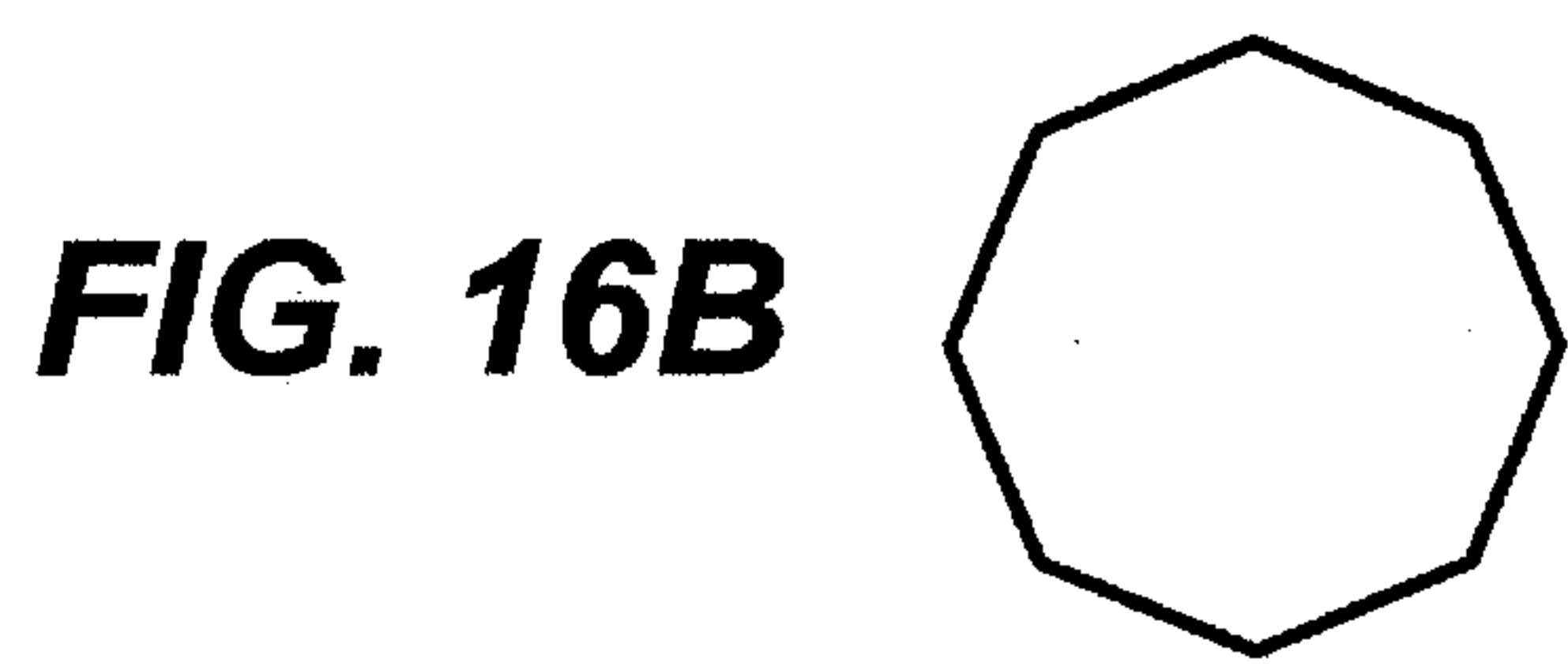


**FIG. 14C**

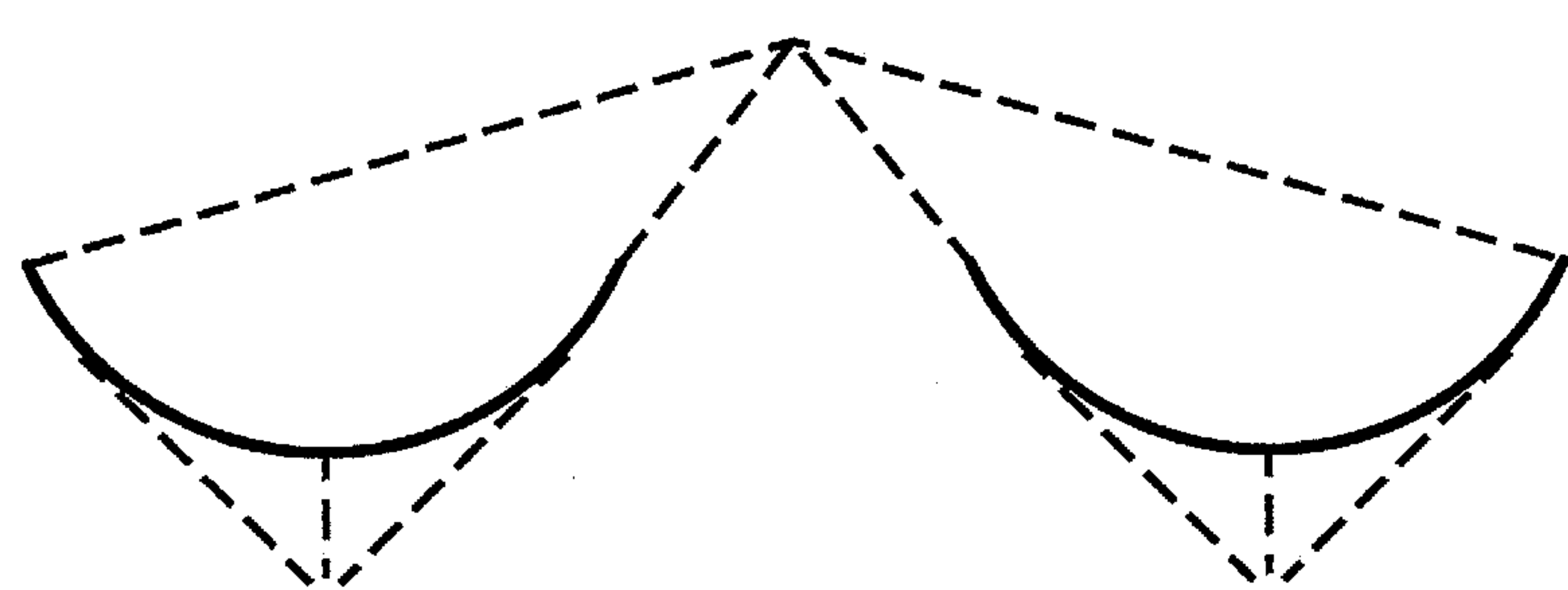




**FIG. 16C**

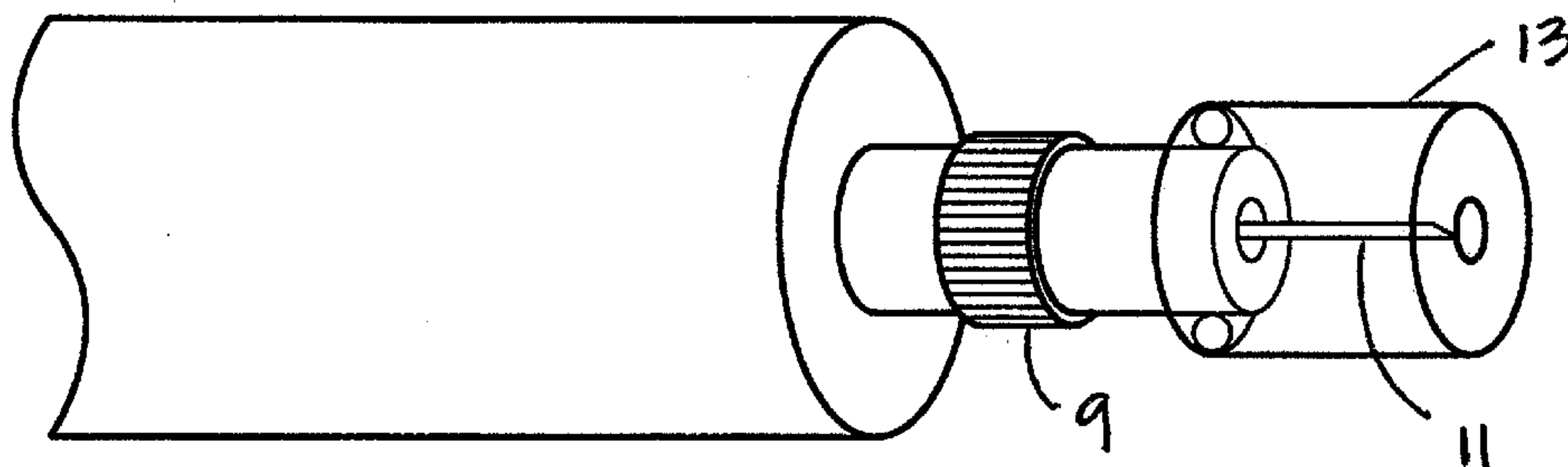
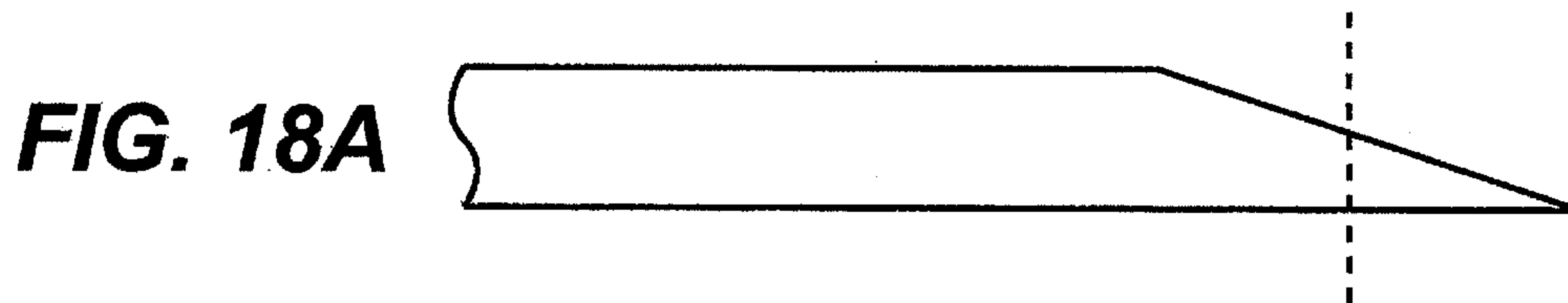


**FIG. 16D**

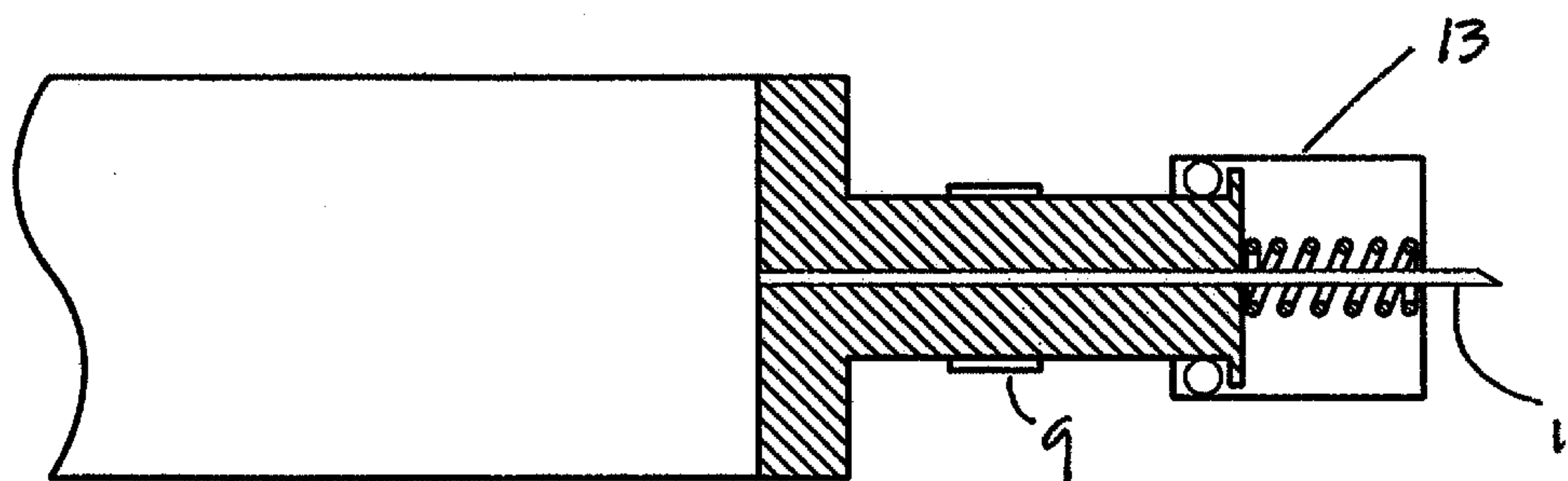


**FIG. 17**

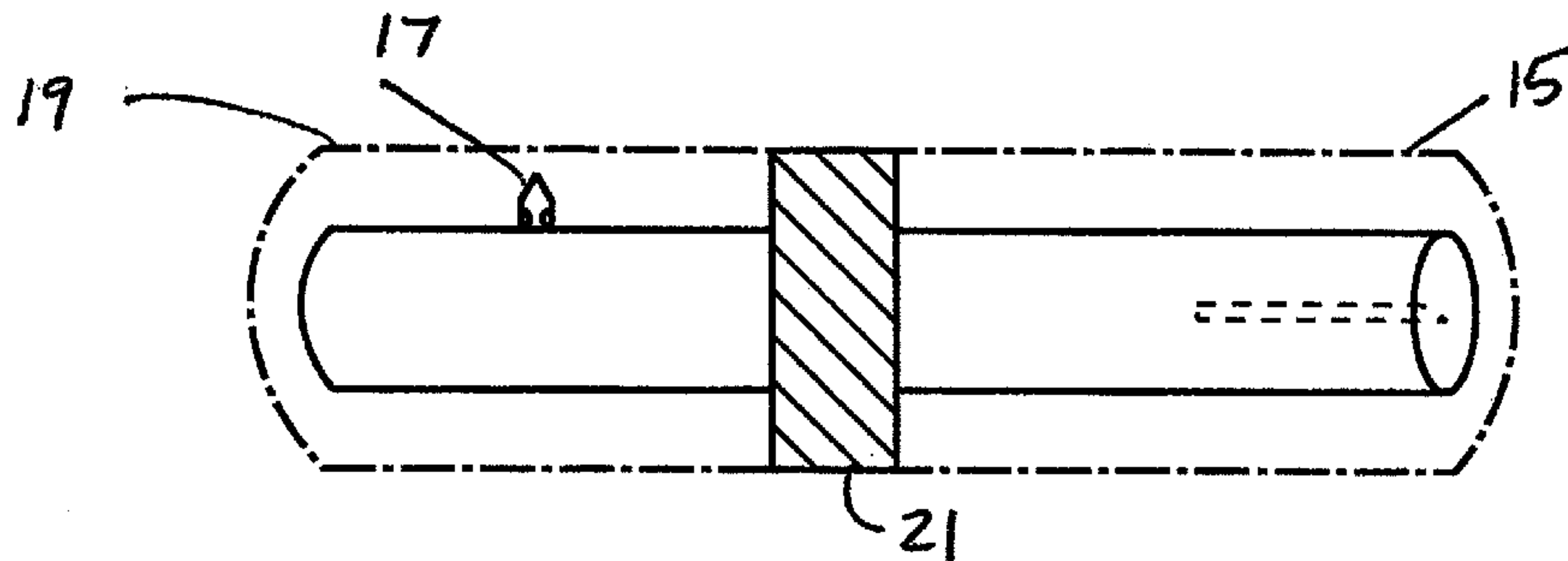




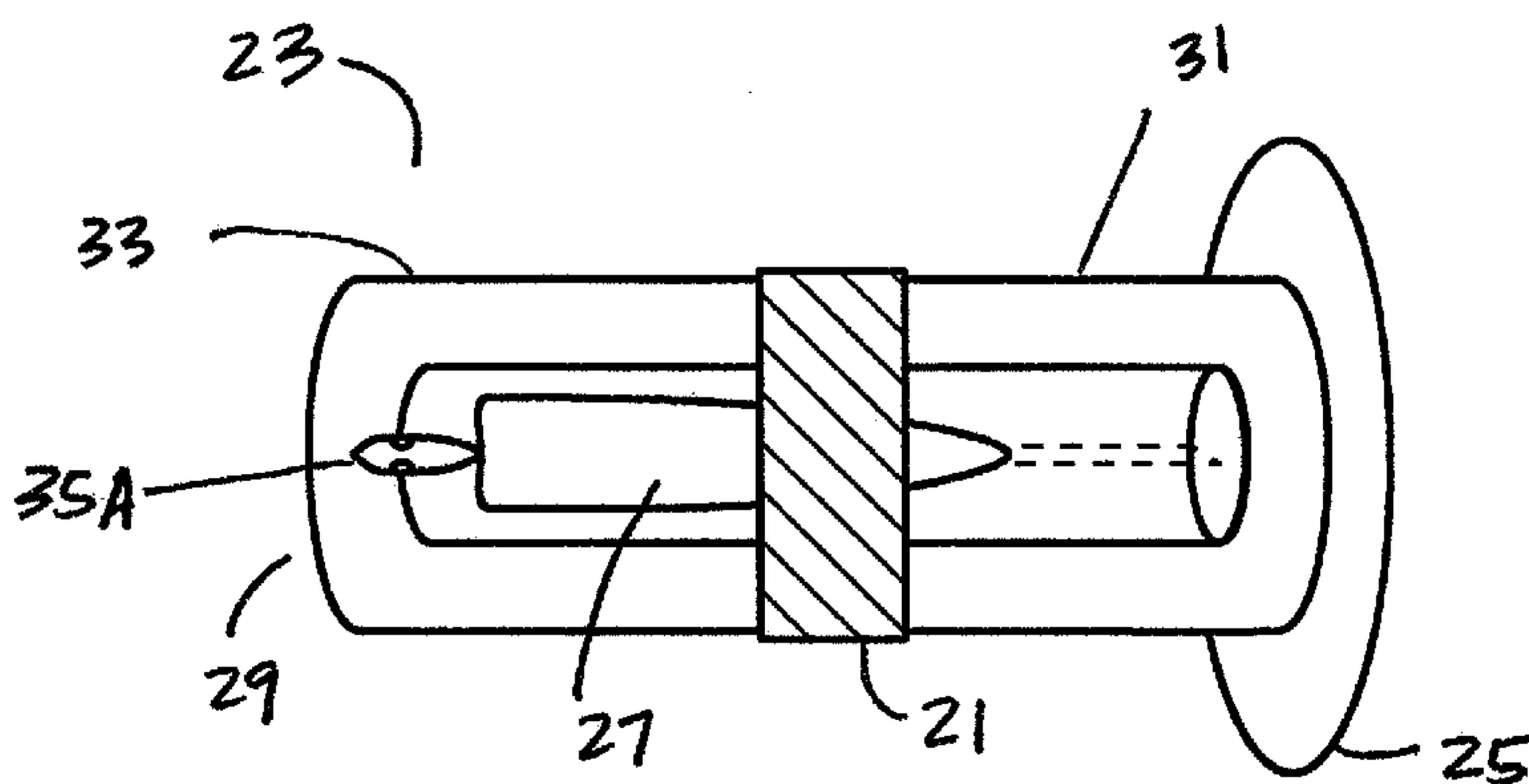
**FIG. 19**



**FIG. 20**

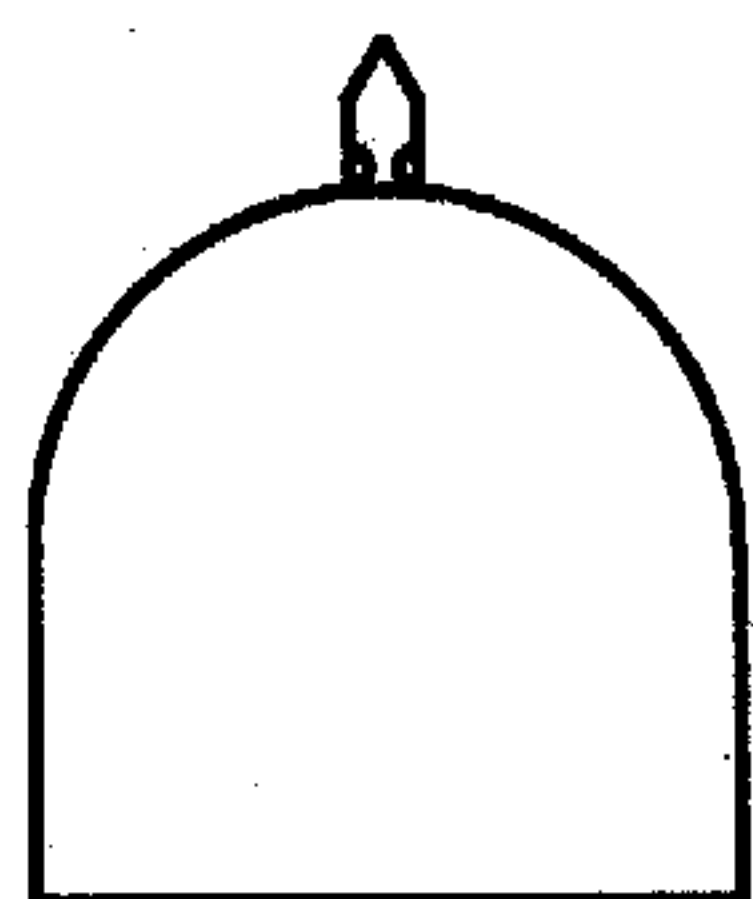
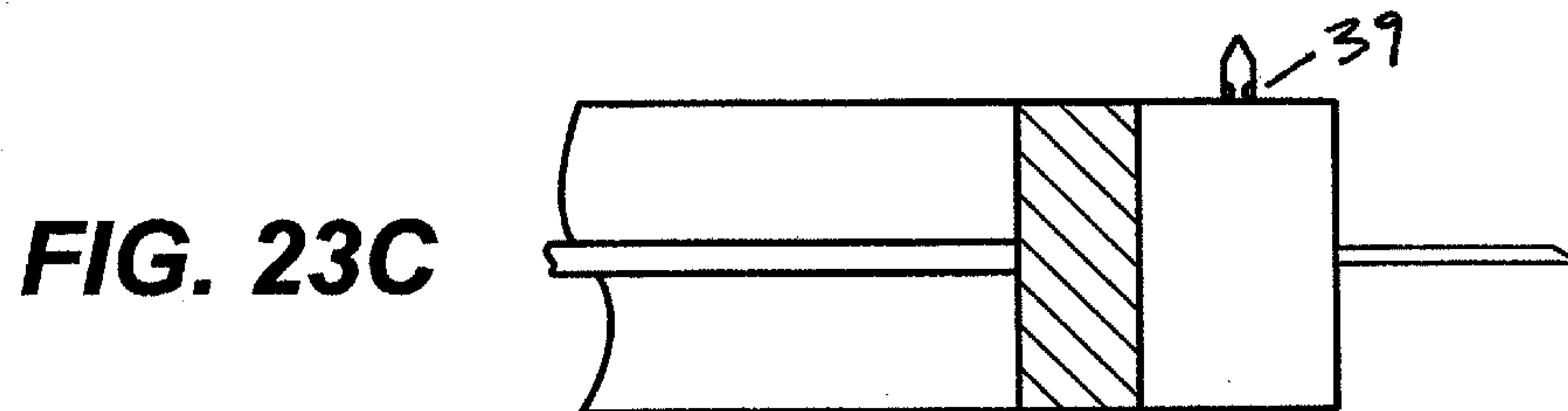
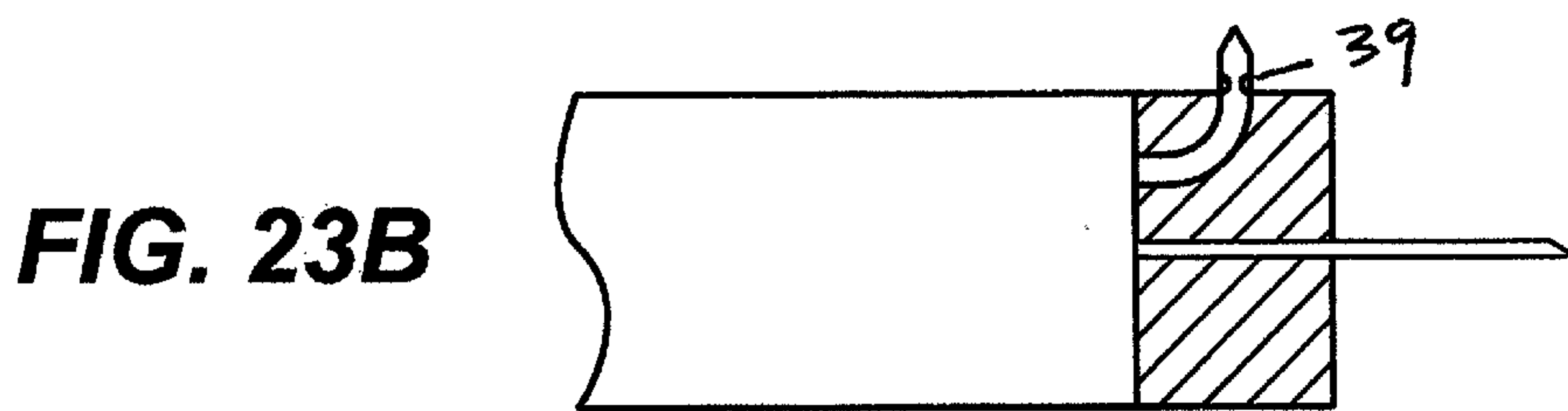
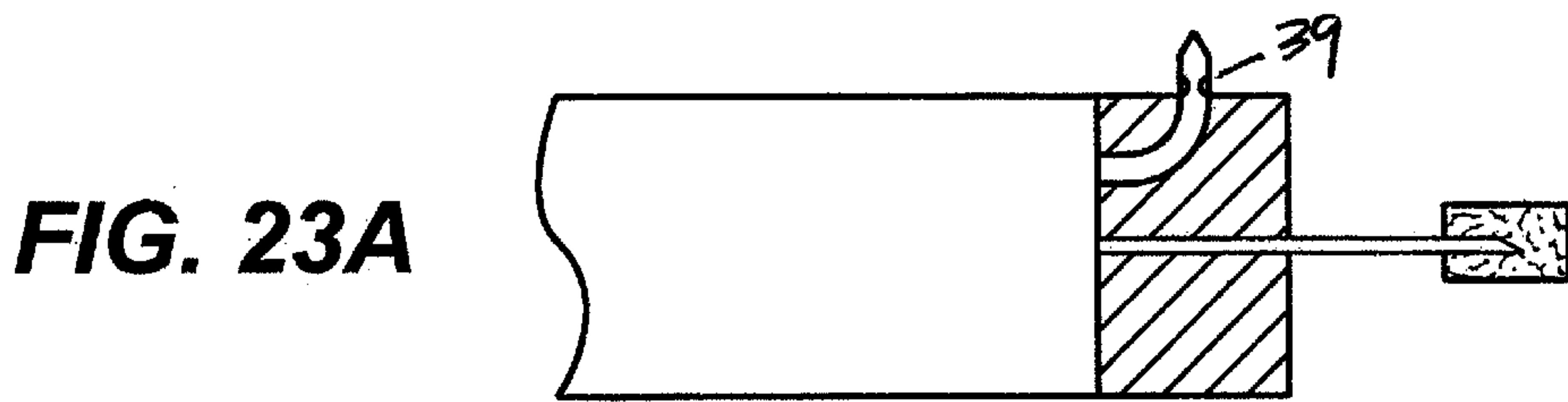


**FIG. 21**

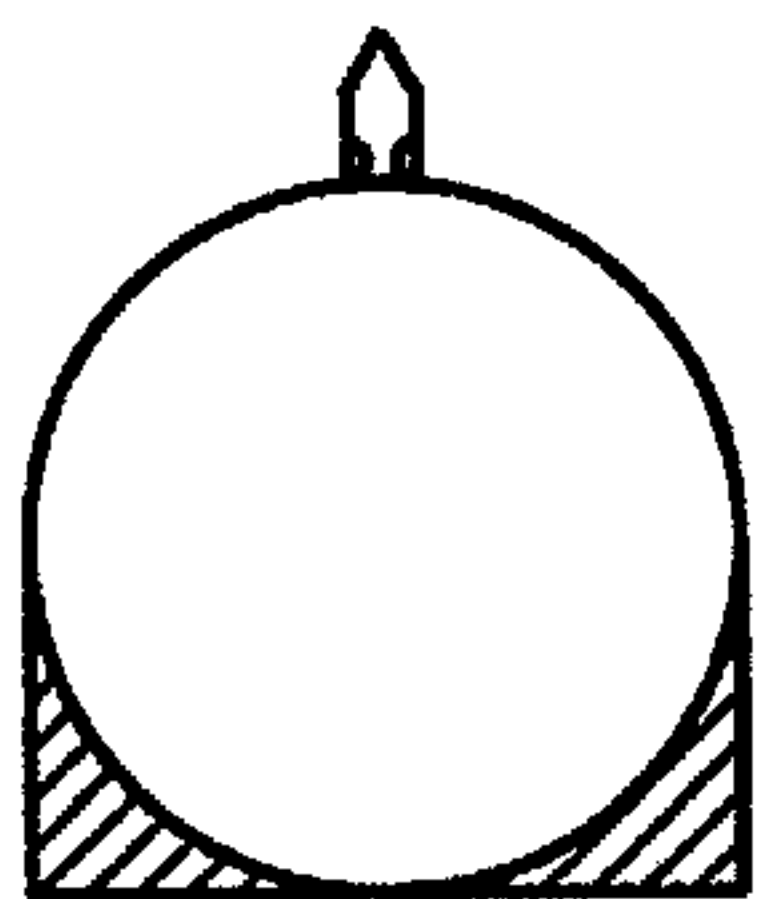


**FIG. 22**

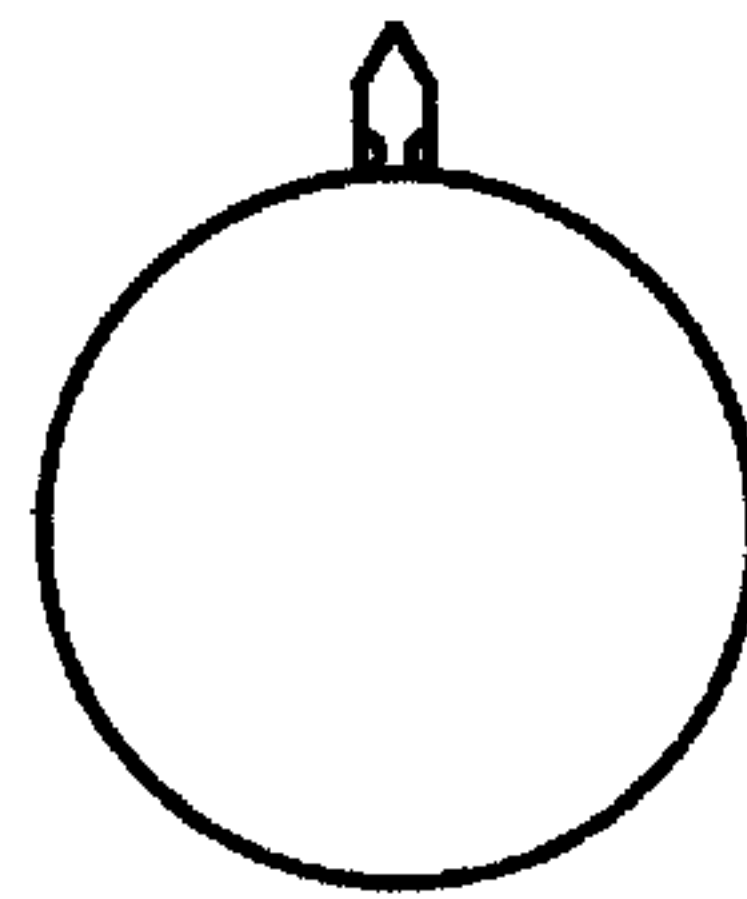




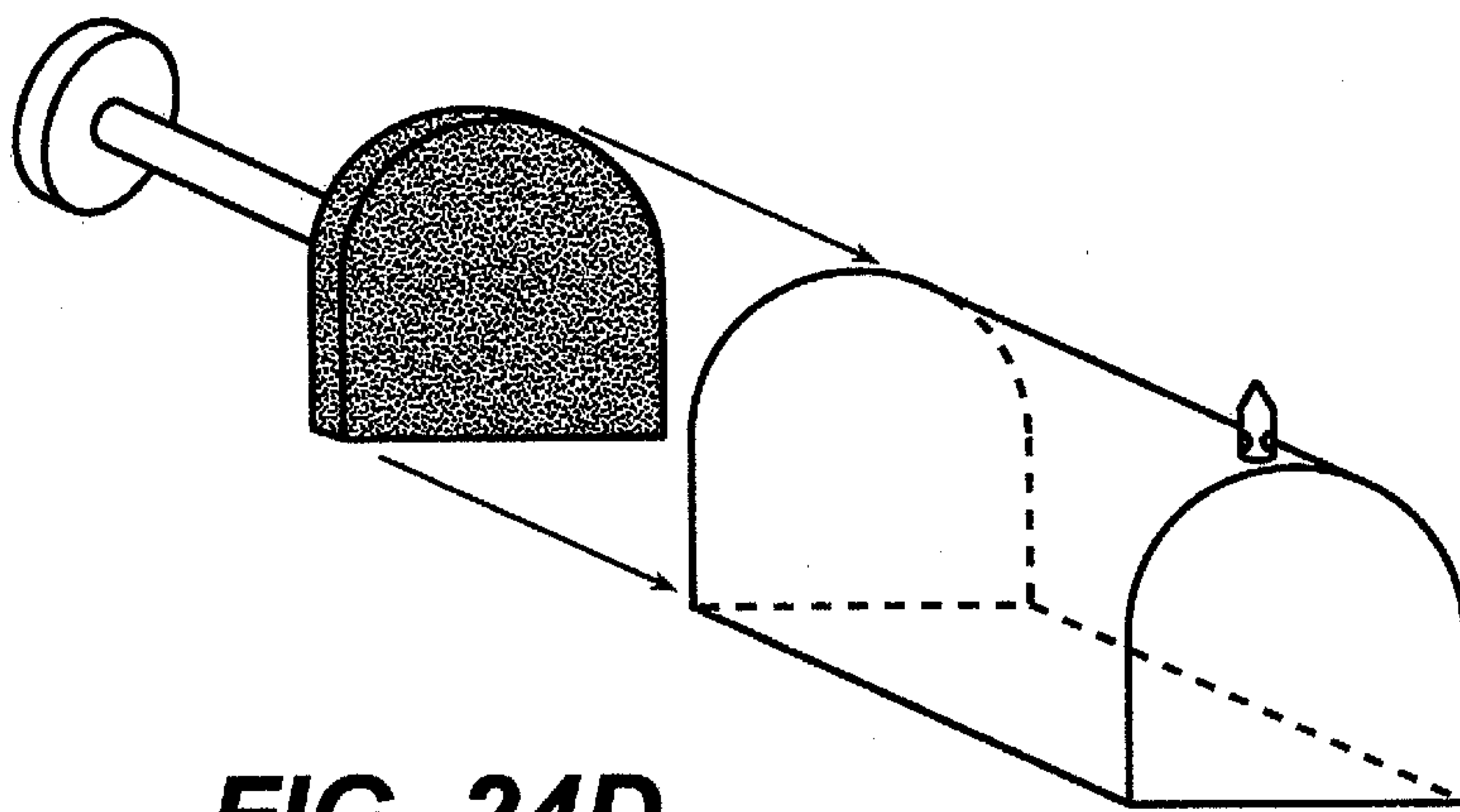
**FIG. 24A**



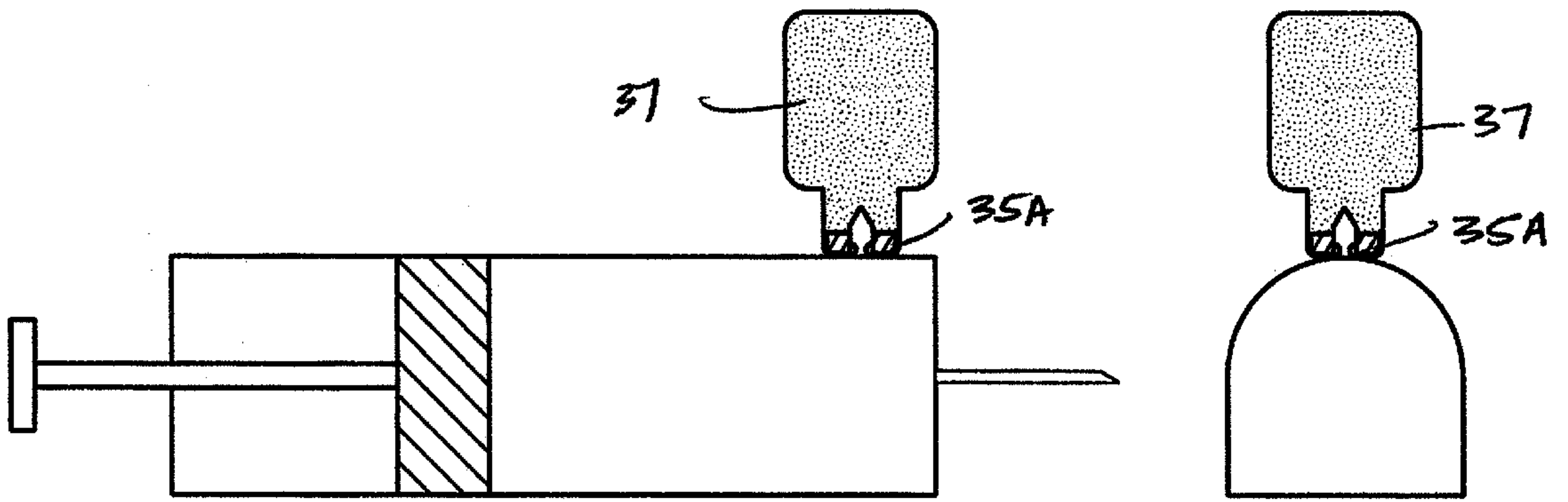
**FIG. 24B**



**FIG. 24C**



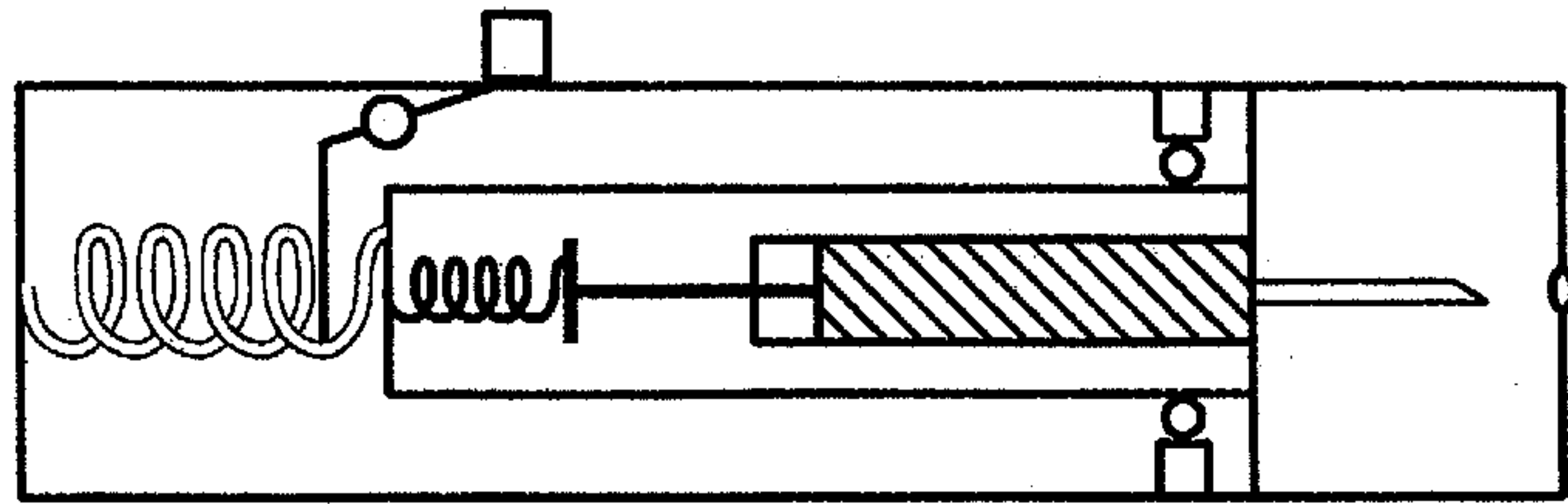
**FIG. 24D**



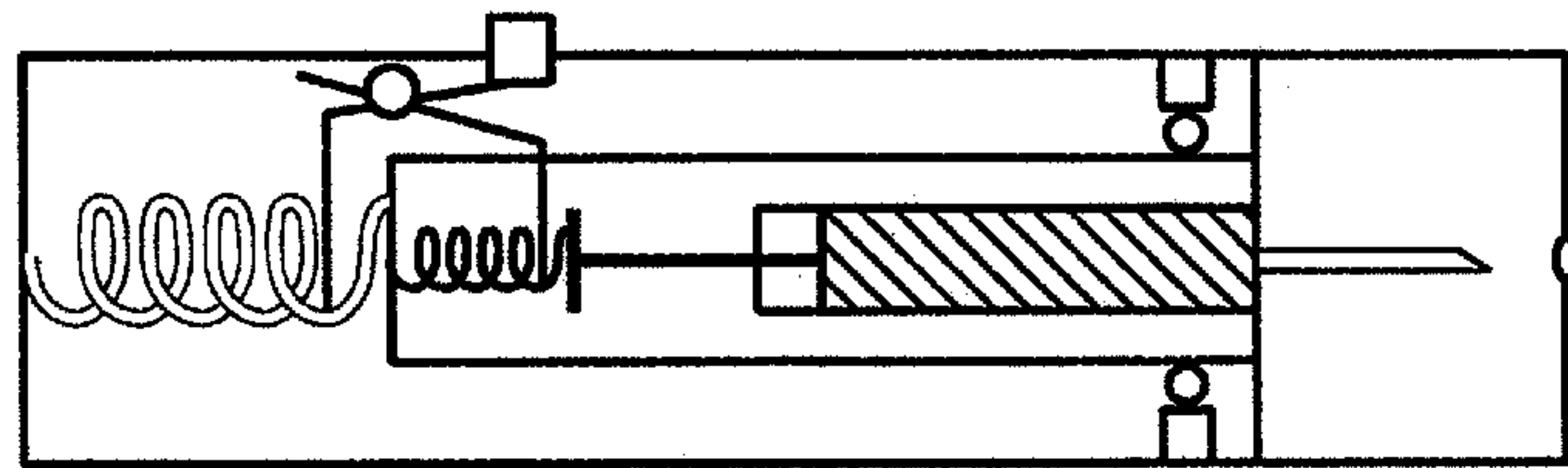
**FIG. 25A**

**FIG. 25B**

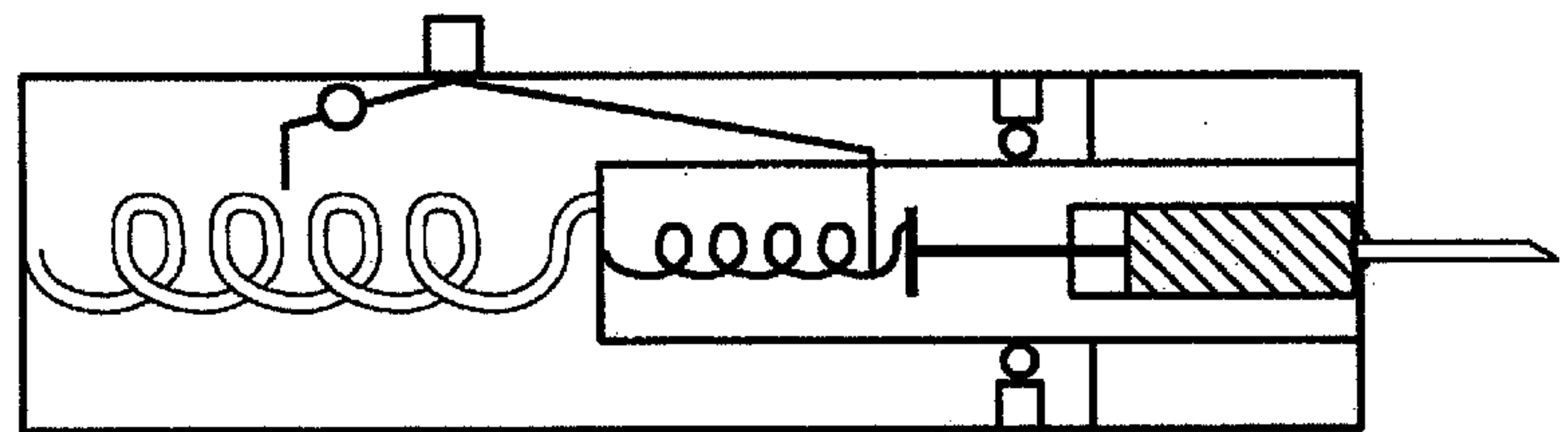
**FIG. 26A**



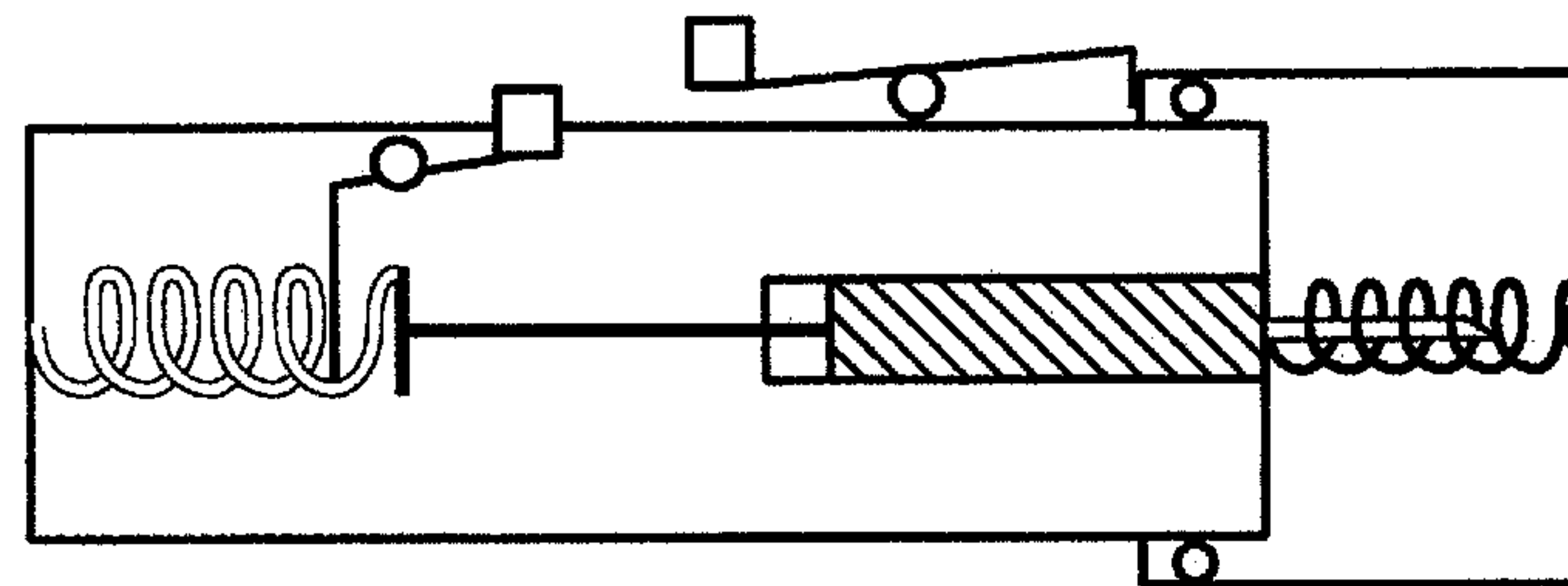
**FIG. 26B**



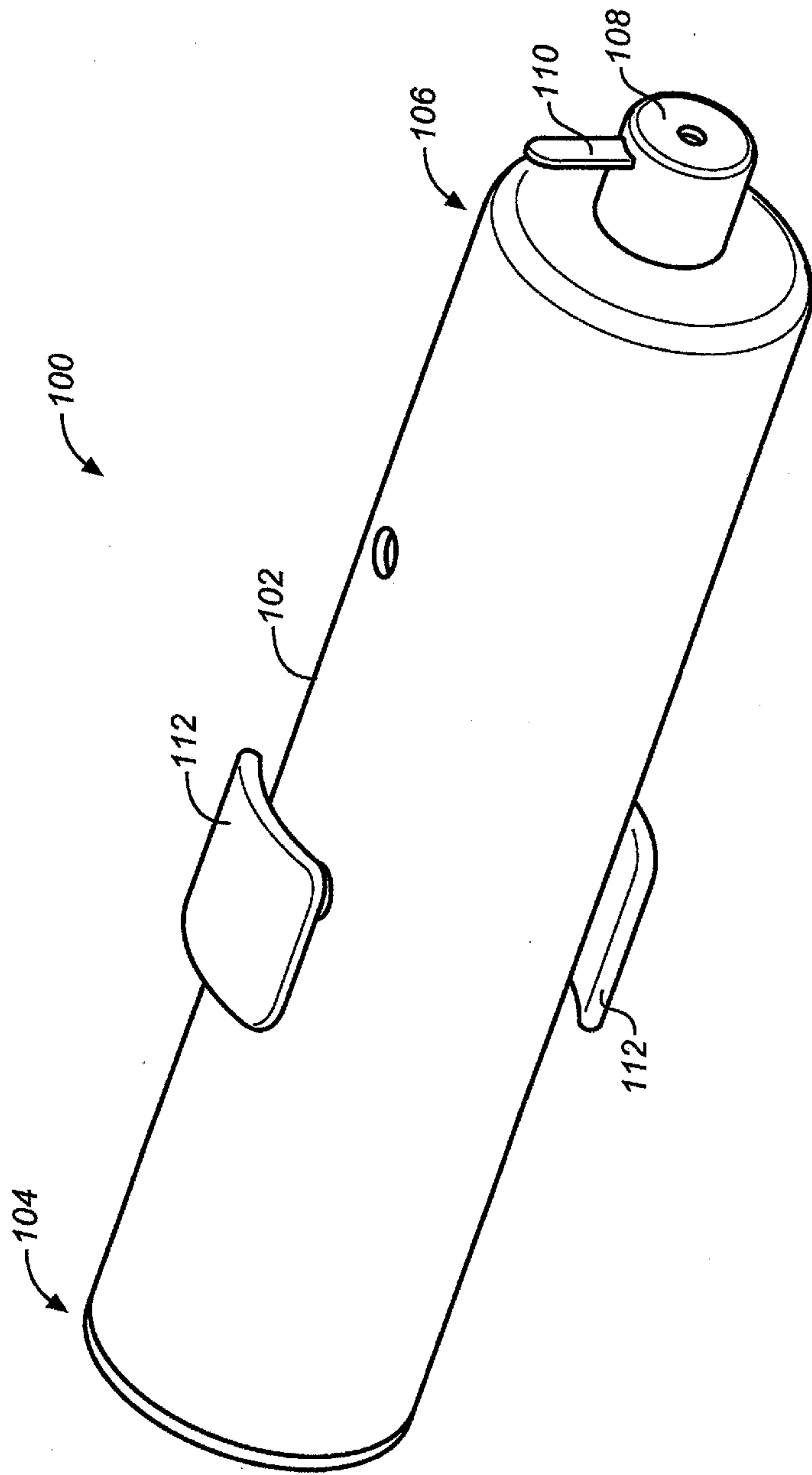
**FIG. 26C**



**FIG. 27**







**FIG. 28**

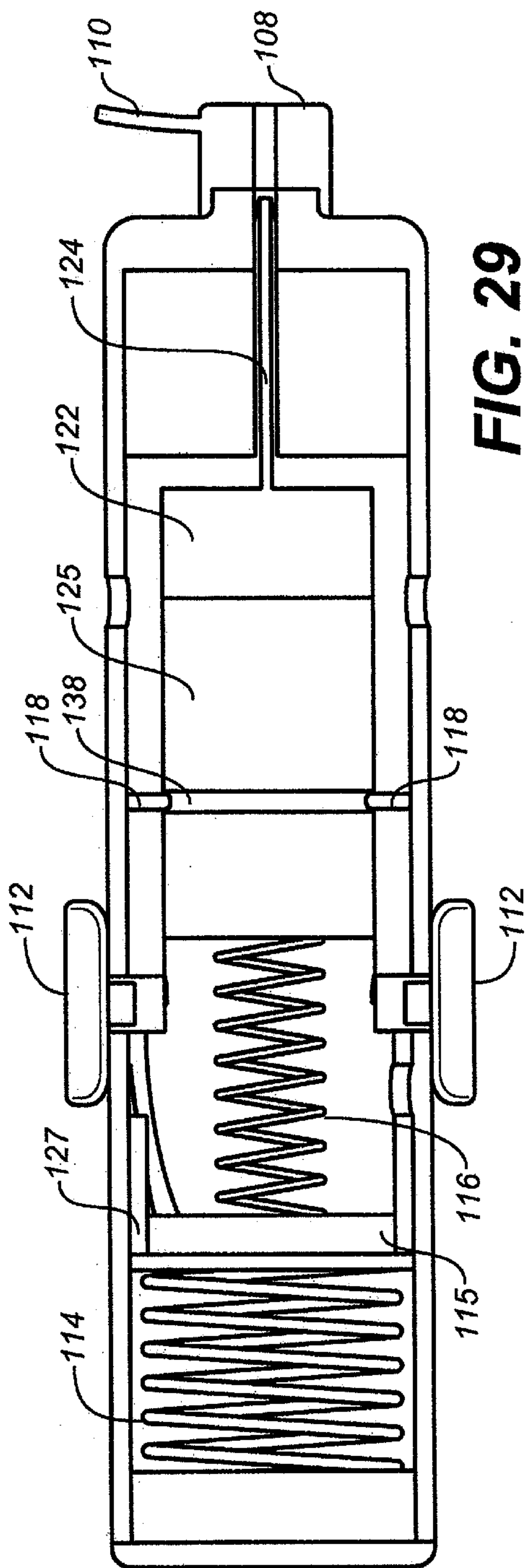


FIG. 29

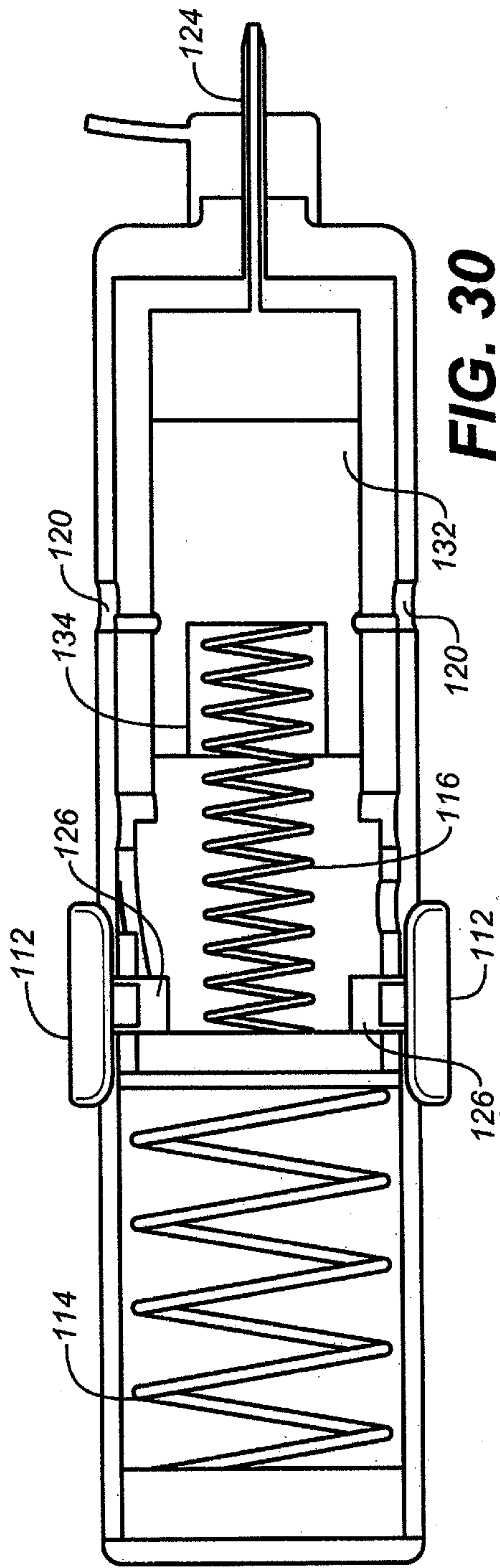
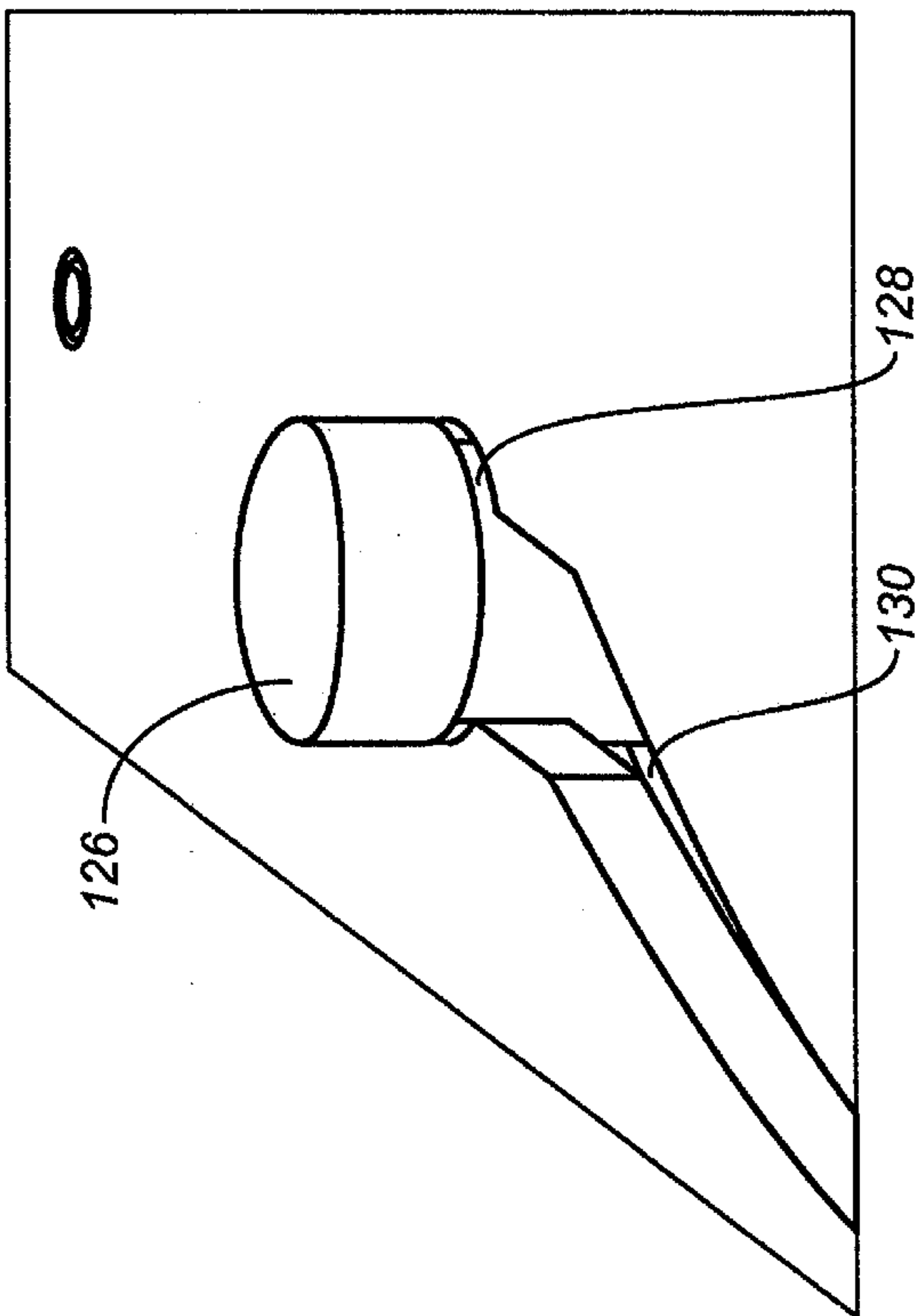
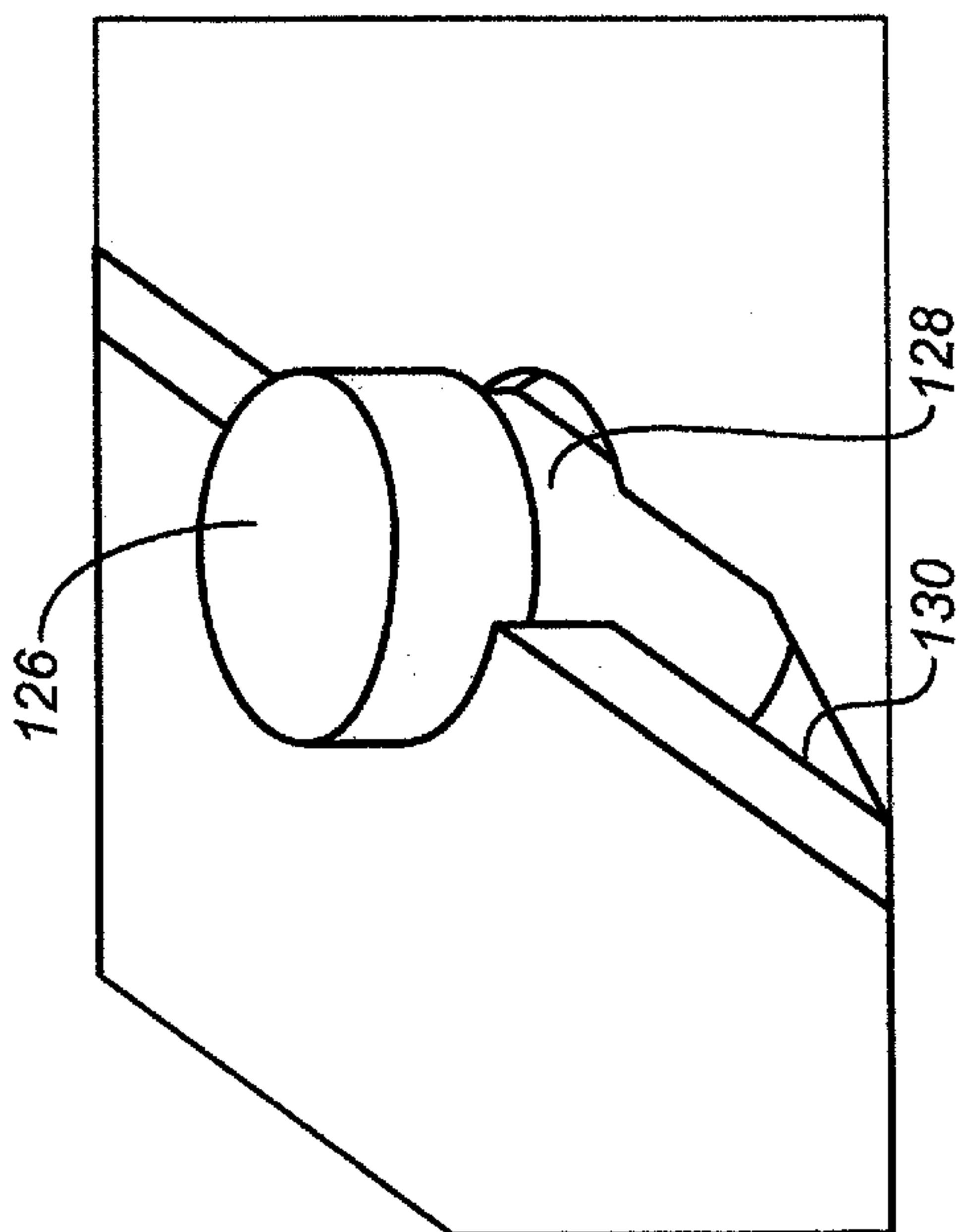


FIG. 30

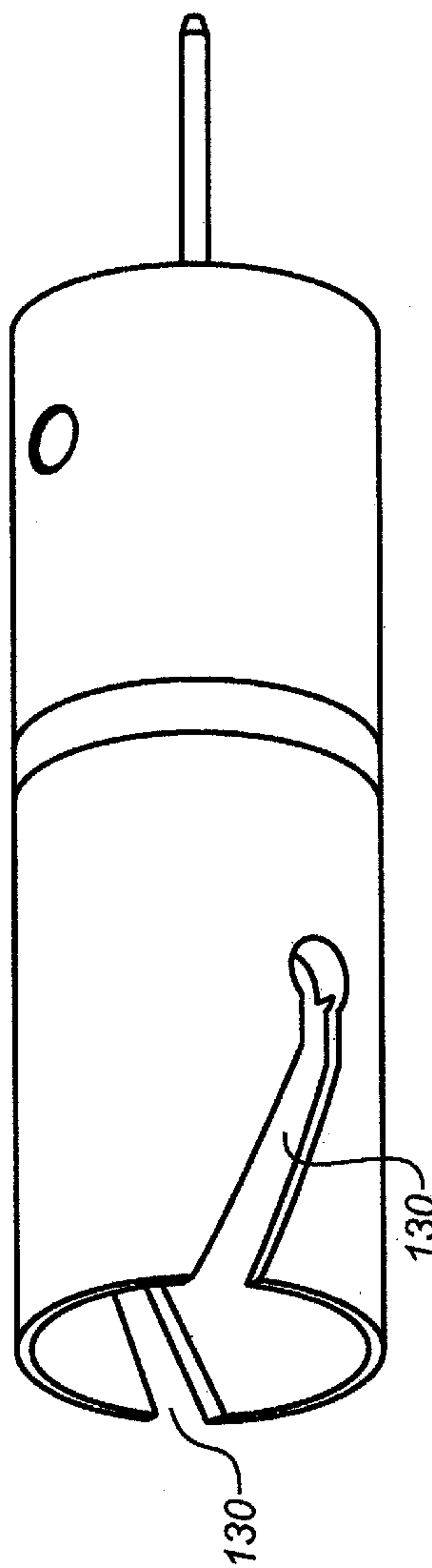




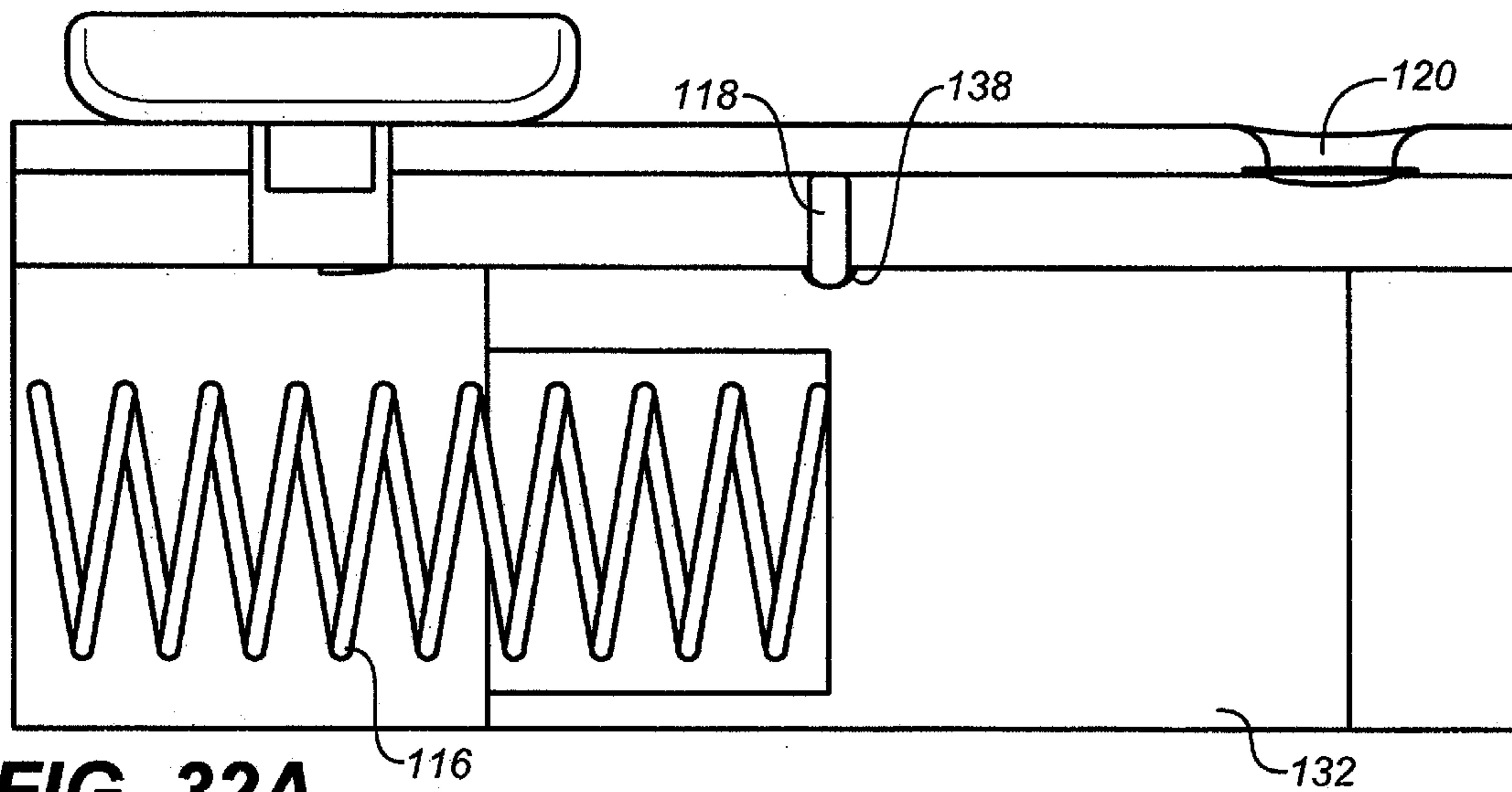
**FIG. 31B**



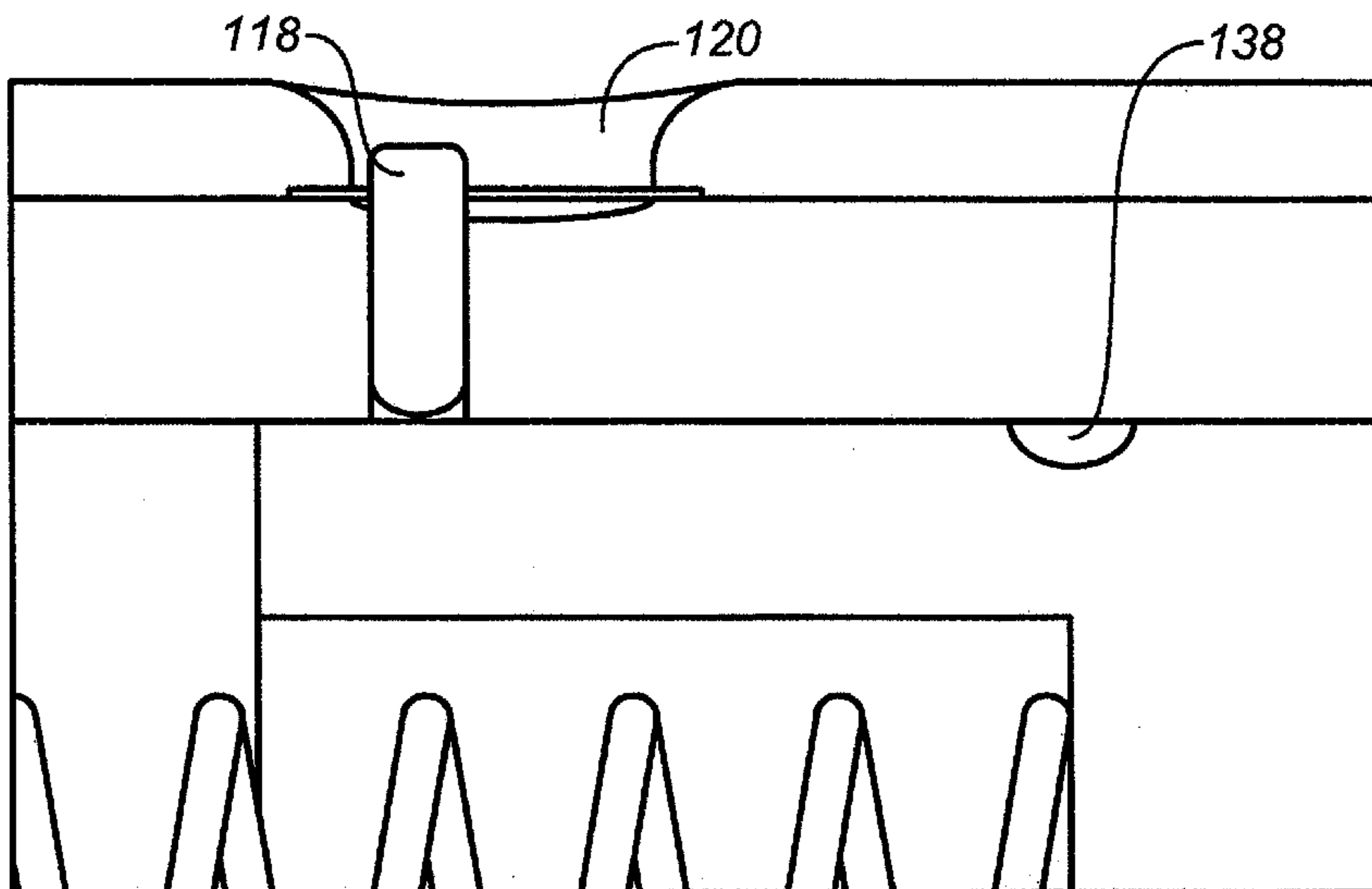
**FIG. 31A**



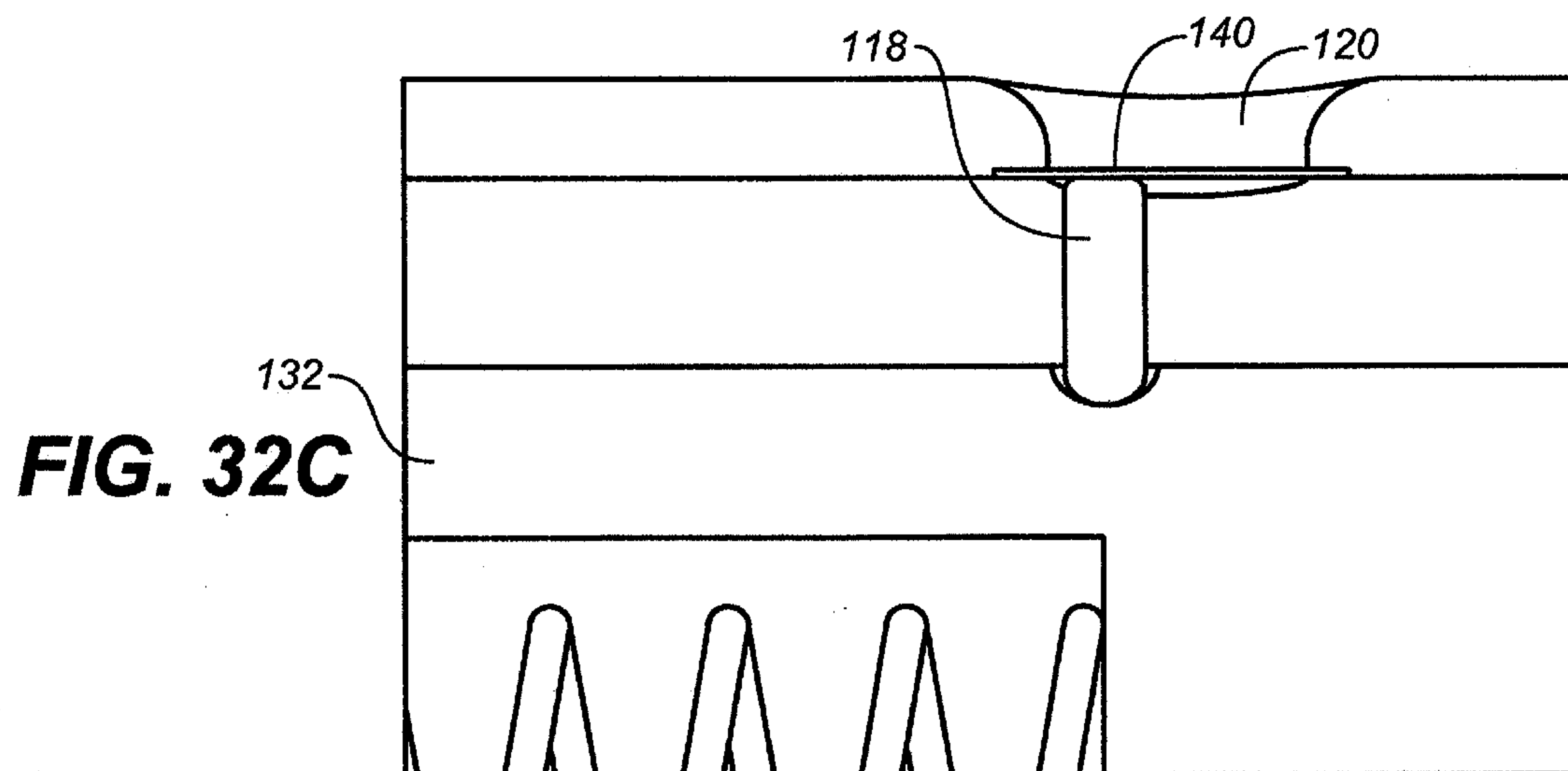
**FIG. 31C**



**FIG. 32A**

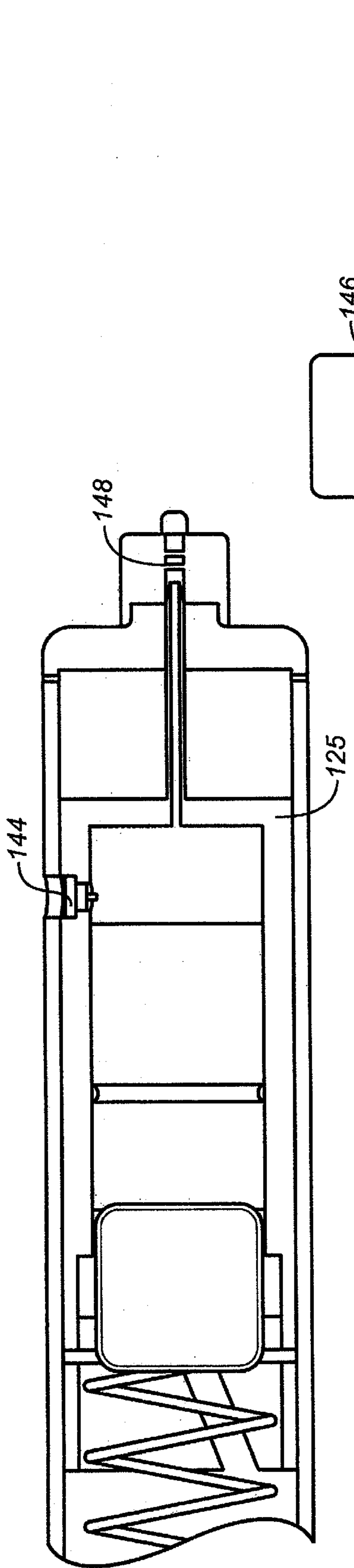


**FIG. 32B**

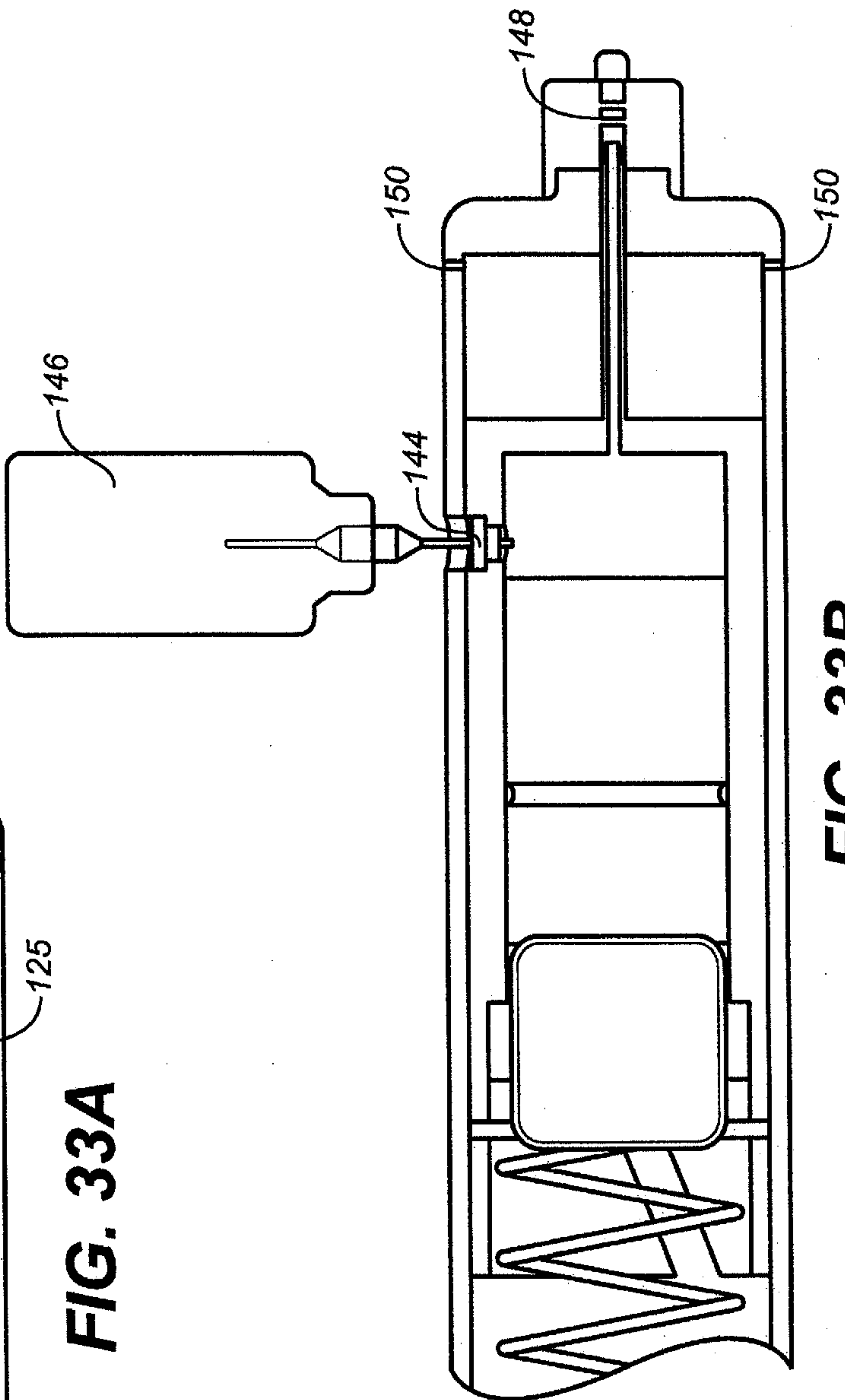


**FIG. 32C**

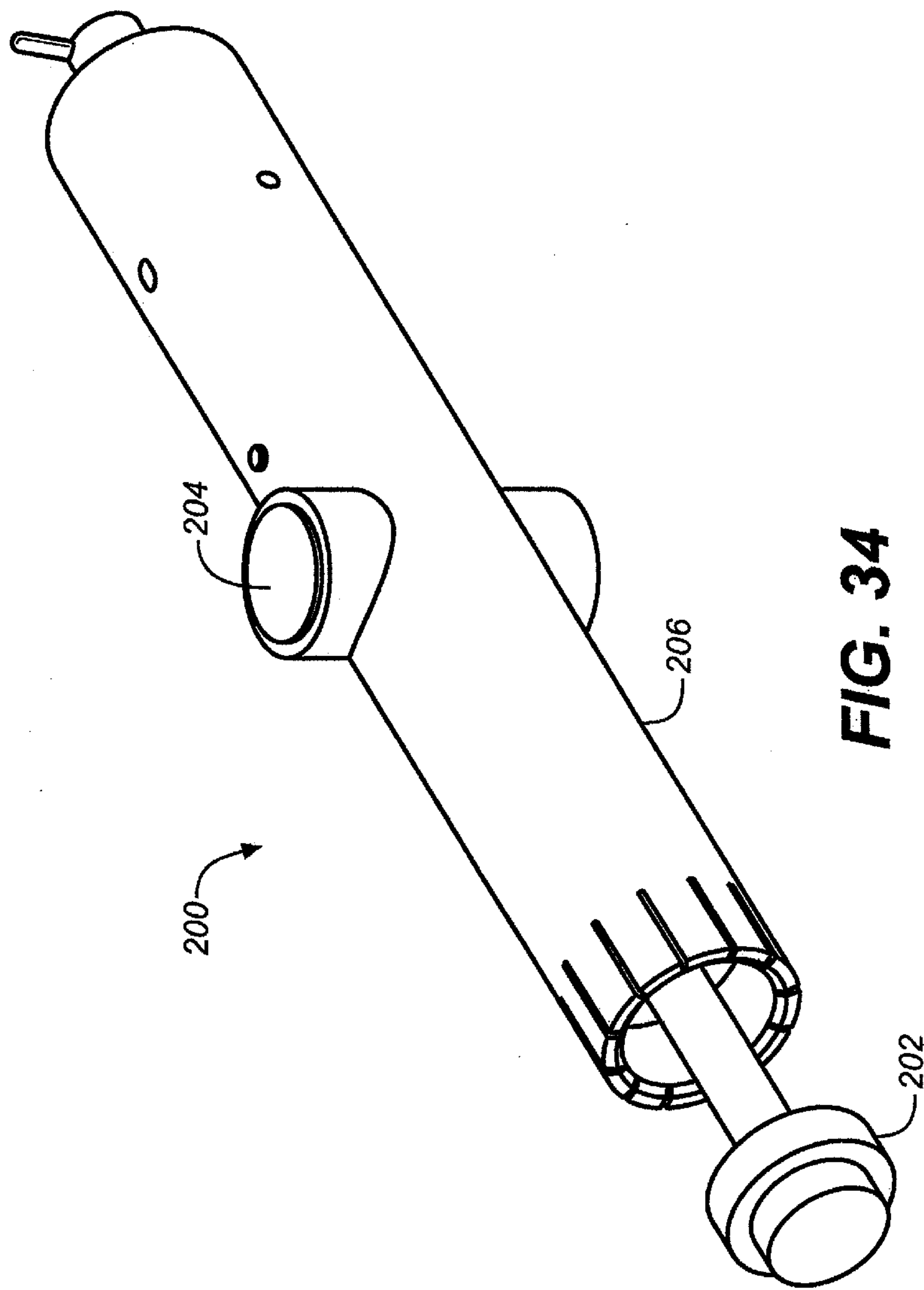




**FIG. 33A**

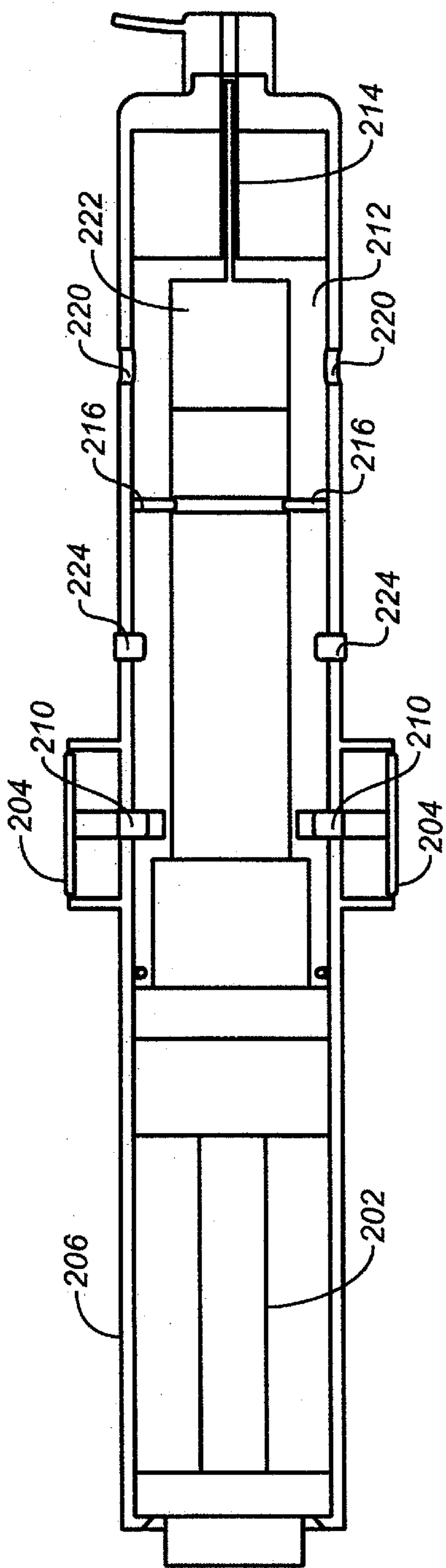


**FIG. 33B**

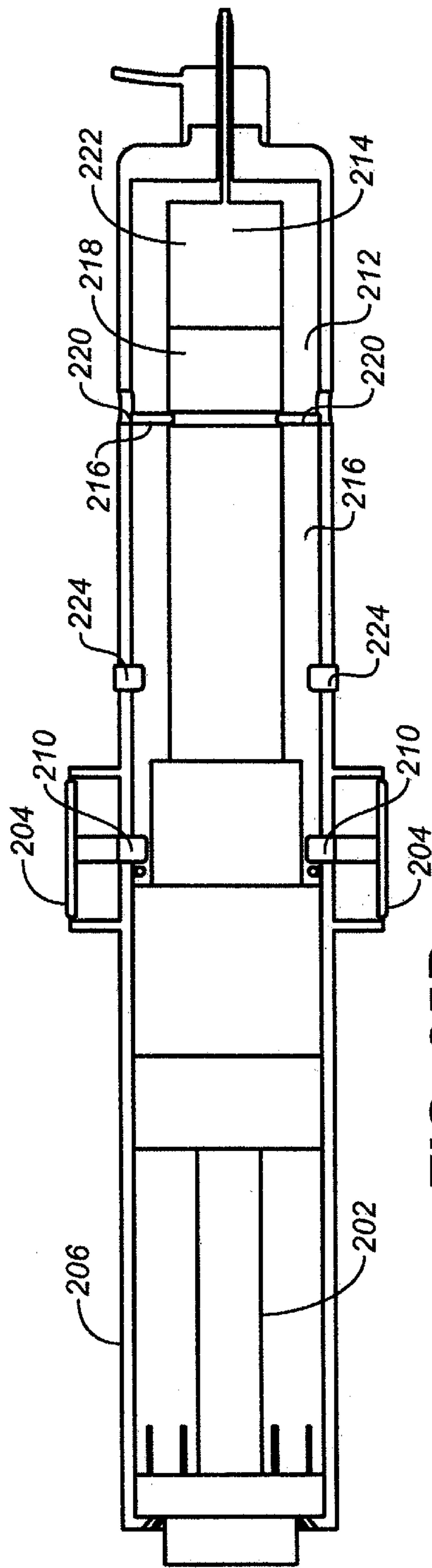


**FIG. 34**

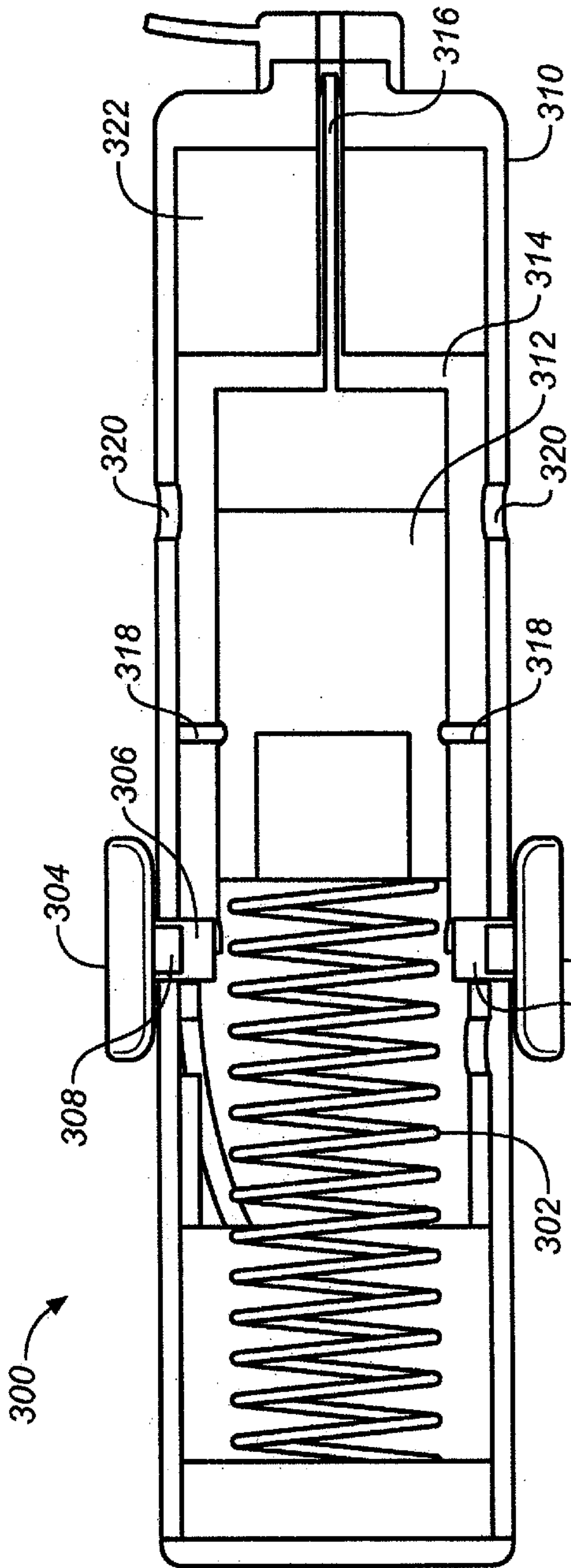




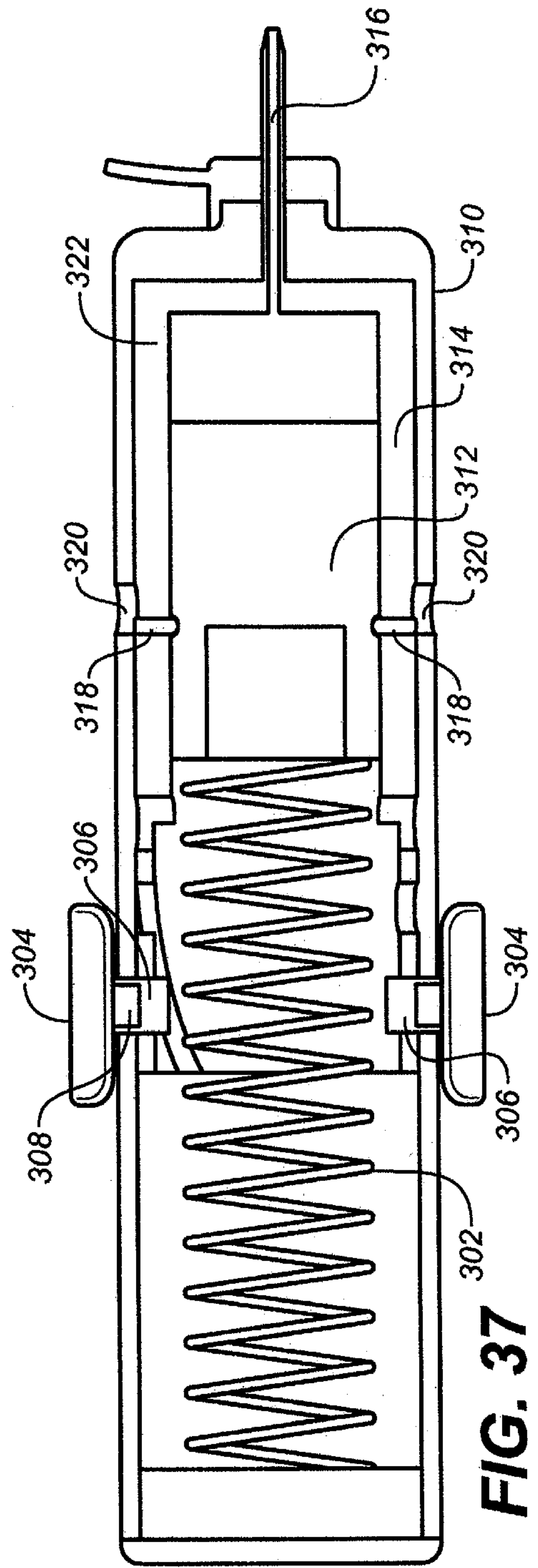
**FIG. 35A**



**FIG. 35B**

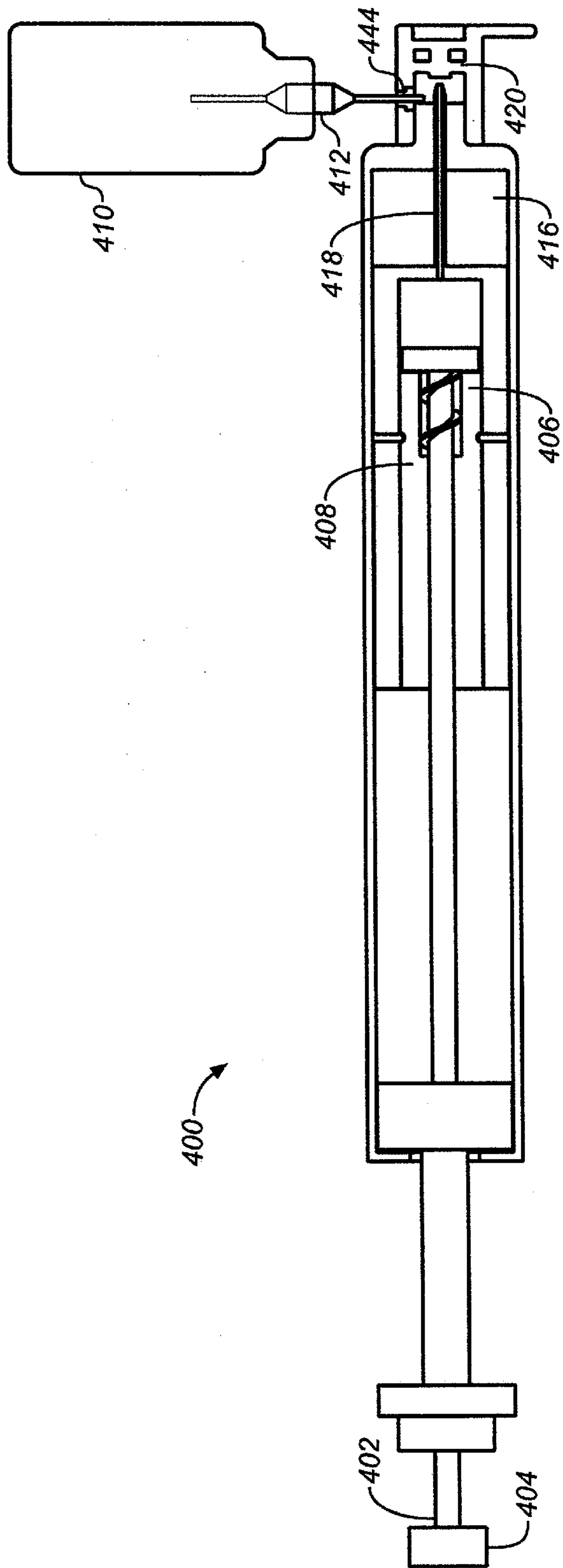


**FIG. 36**

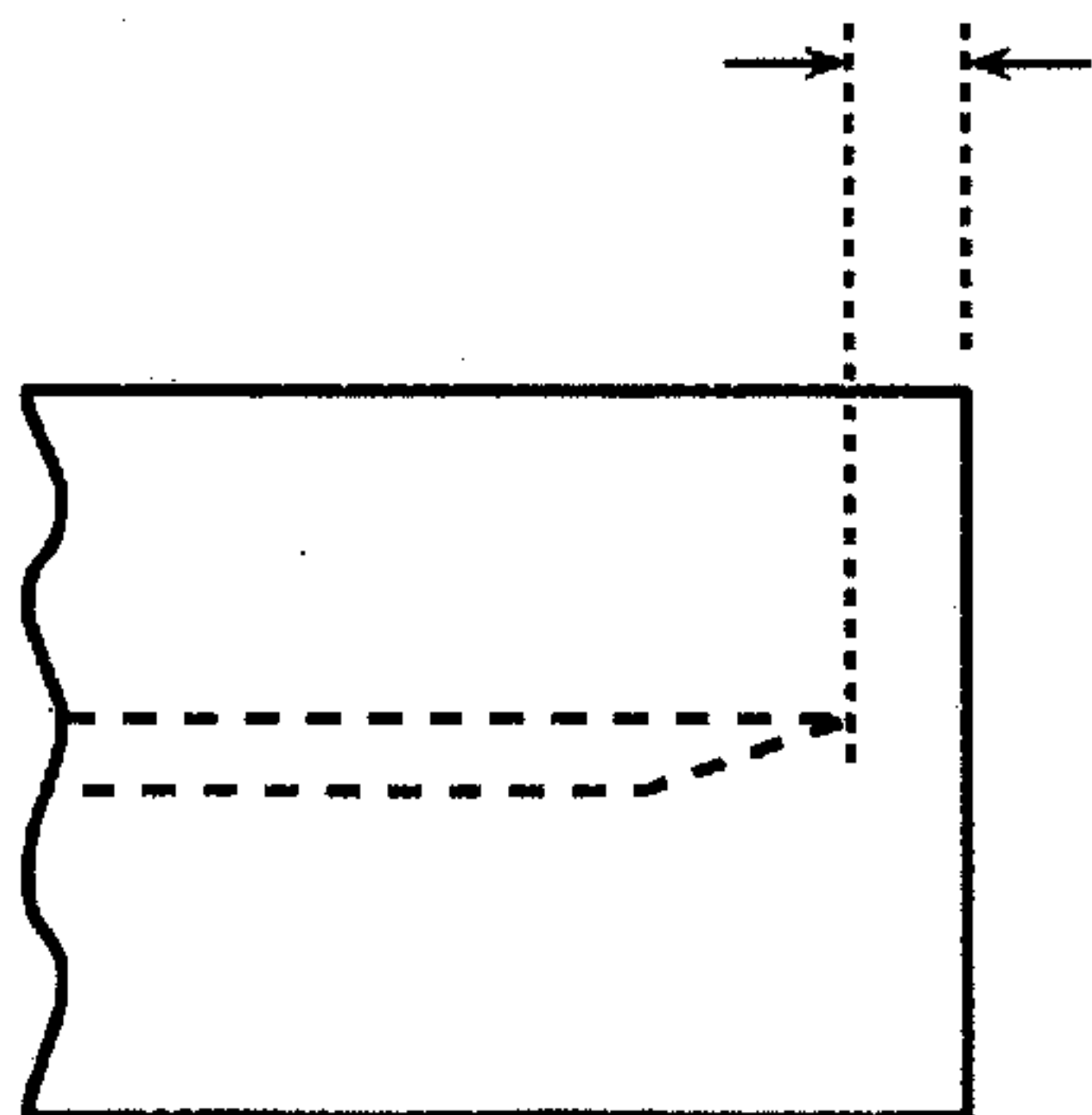


**FIG. 37**

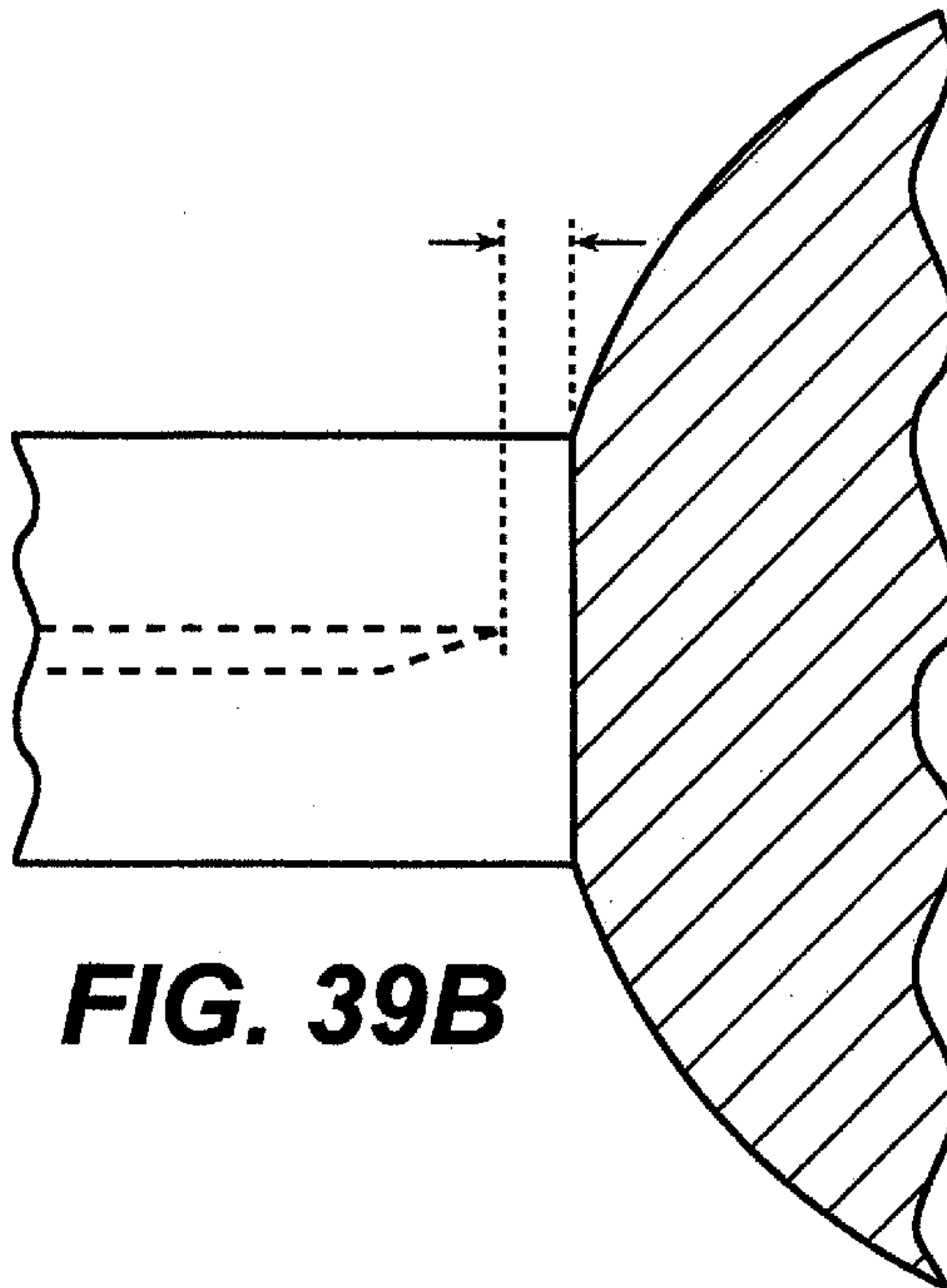




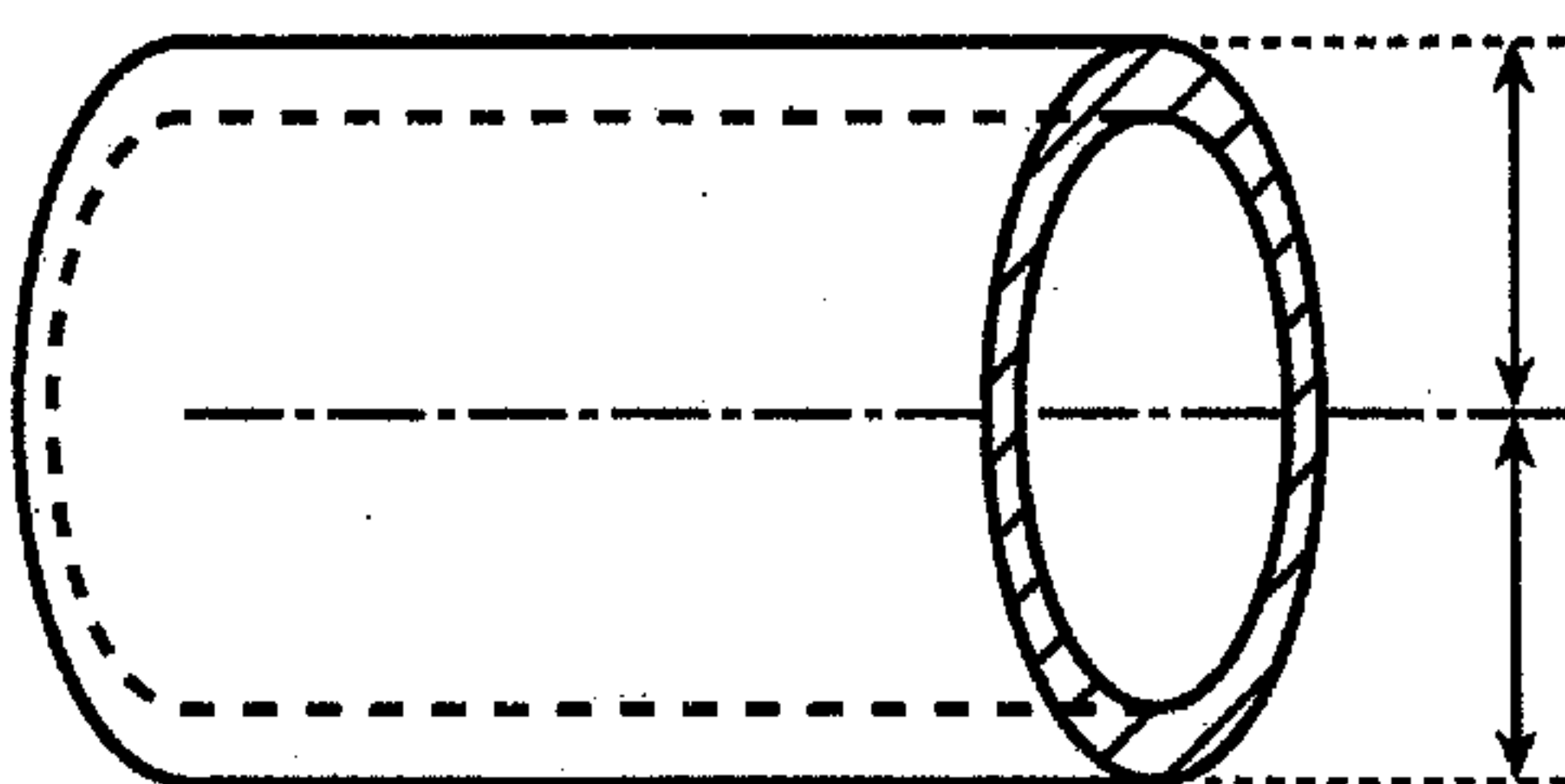
**FIG. 38**



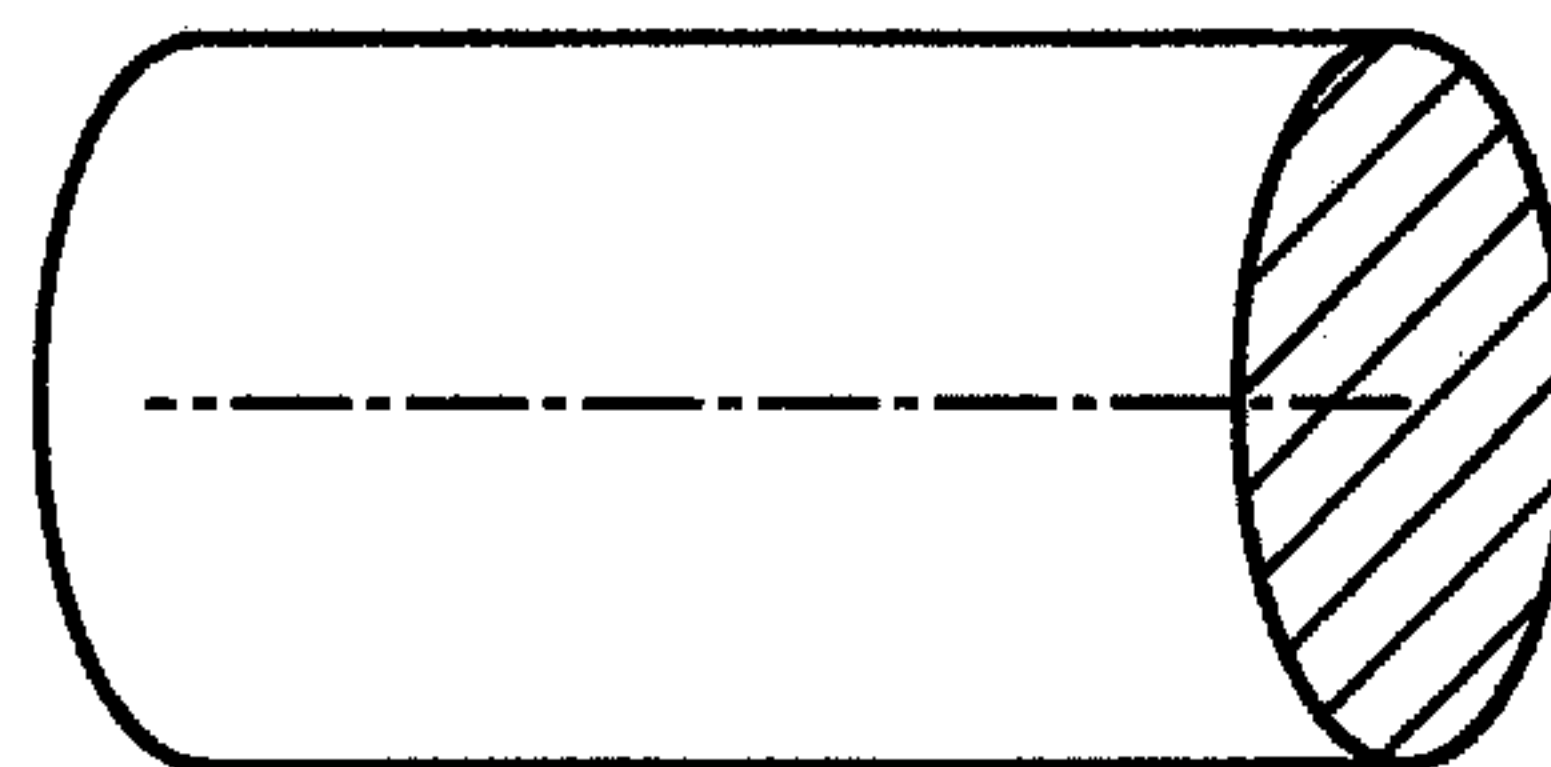
**FIG. 39A**



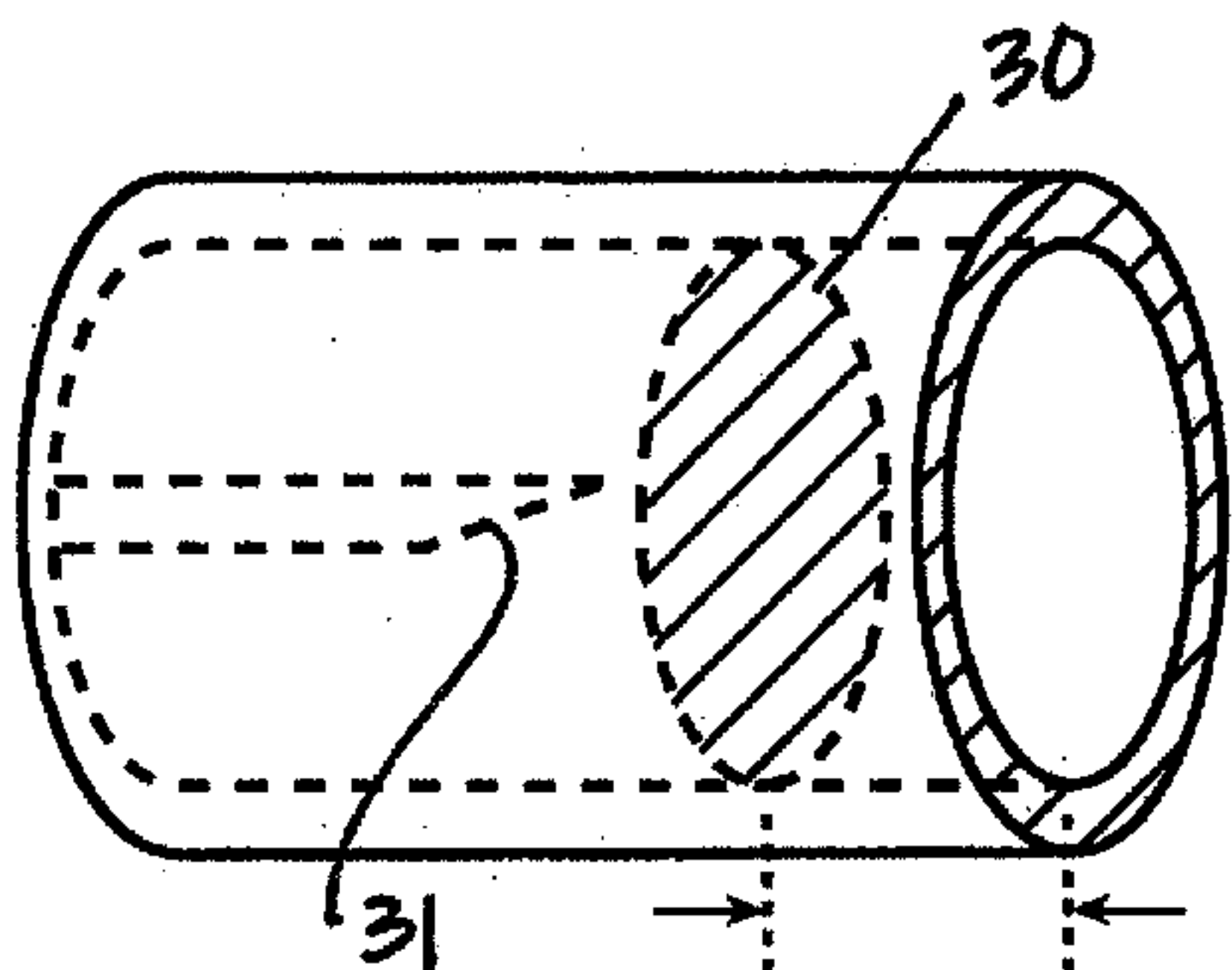
**FIG. 39B**



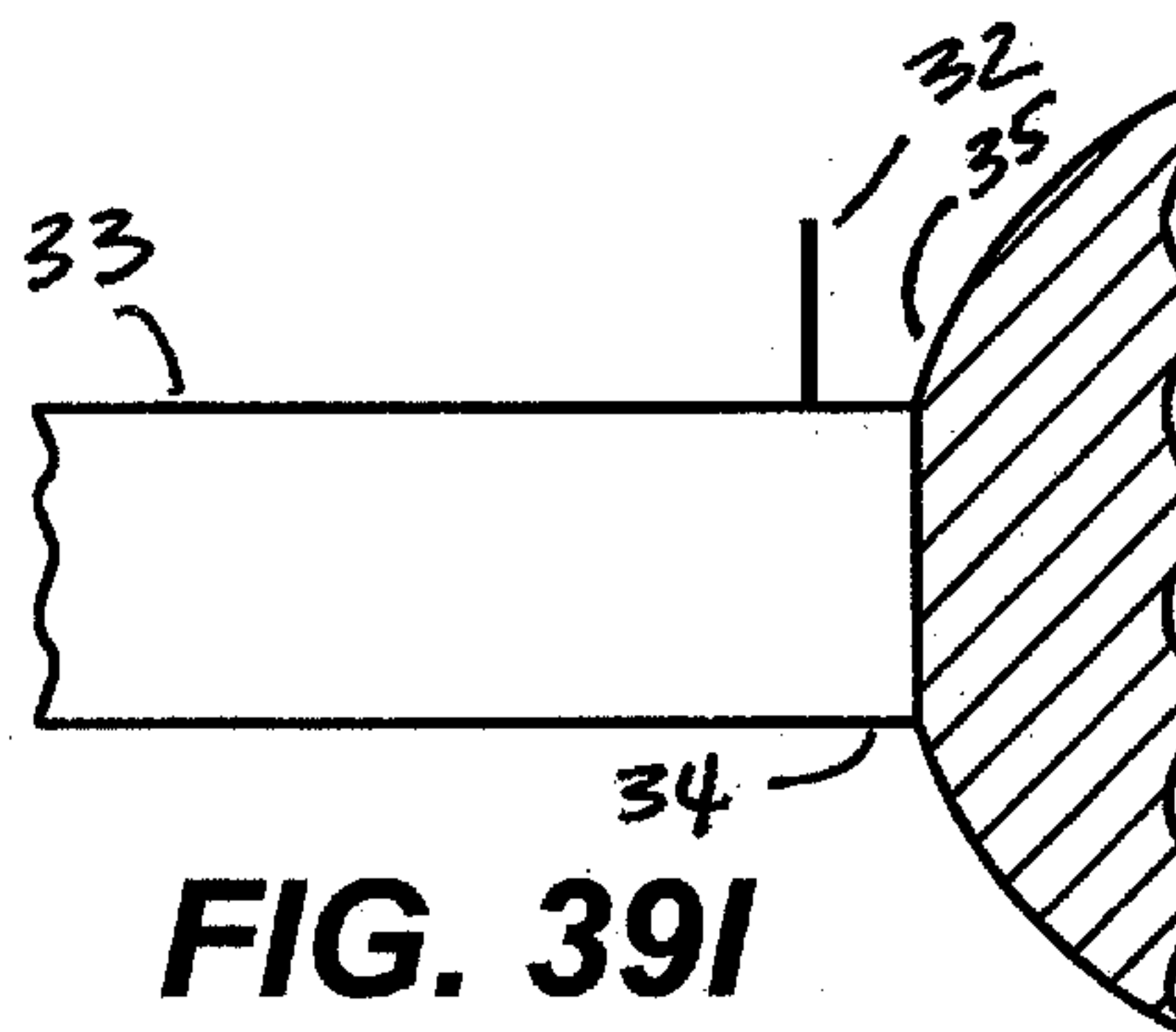
**FIG. 39C**



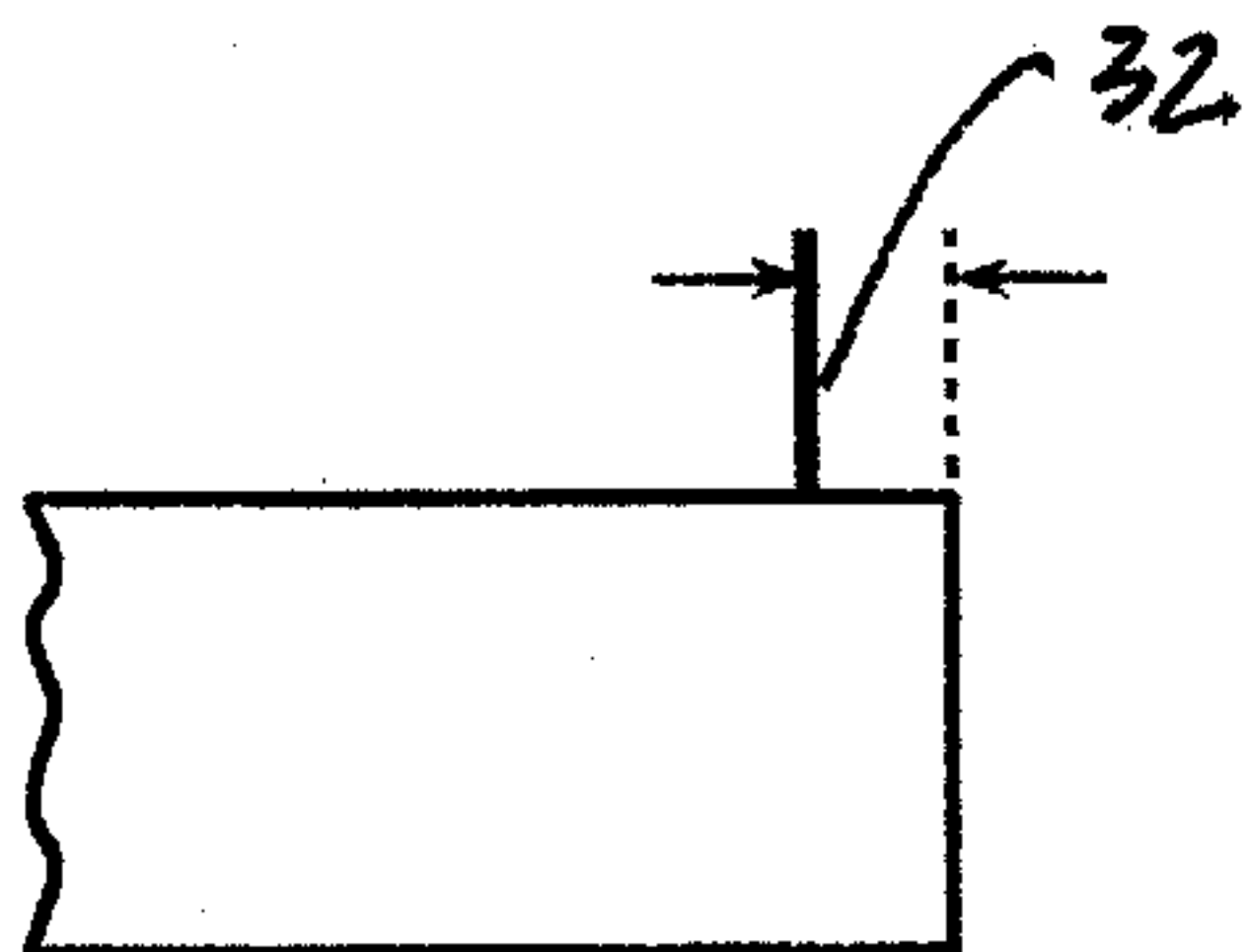
**FIG. 39D**



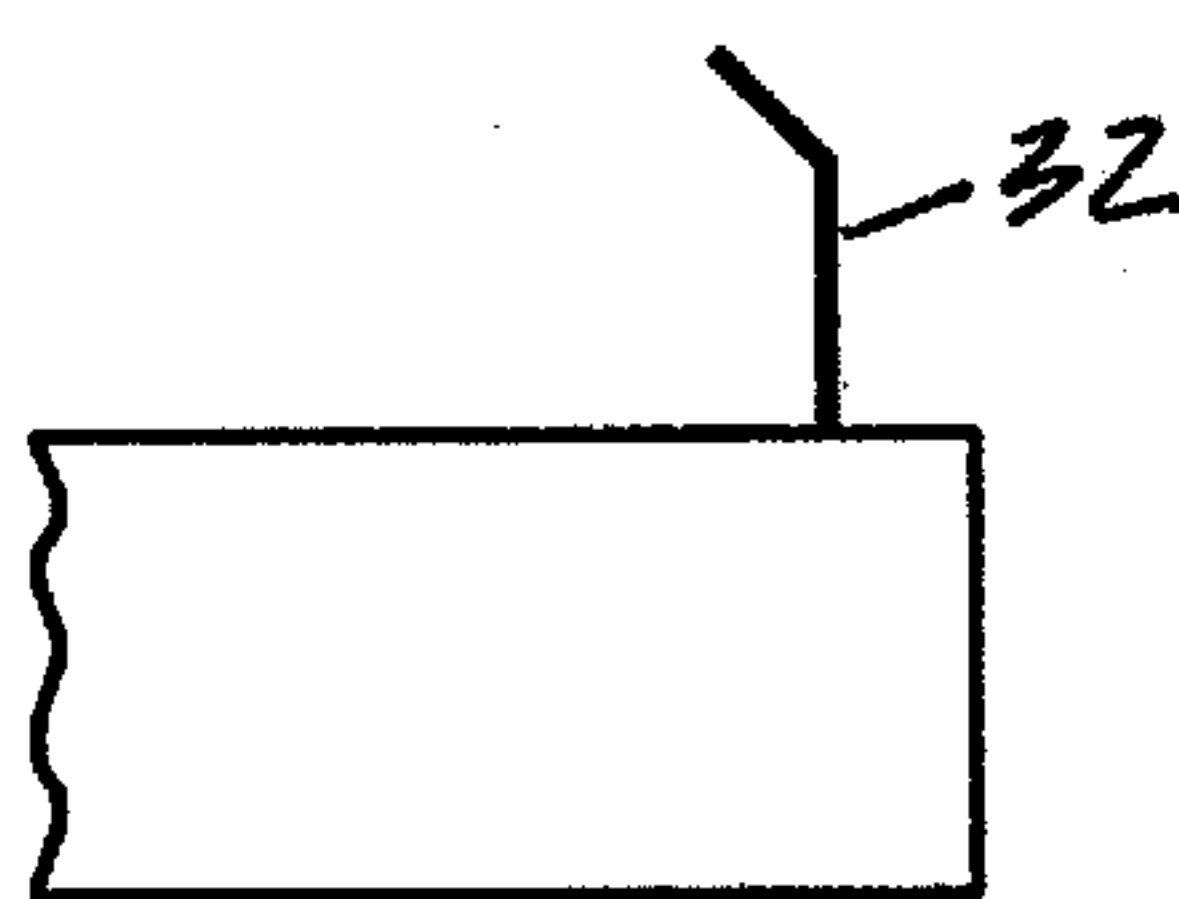
**FIG. 39E**



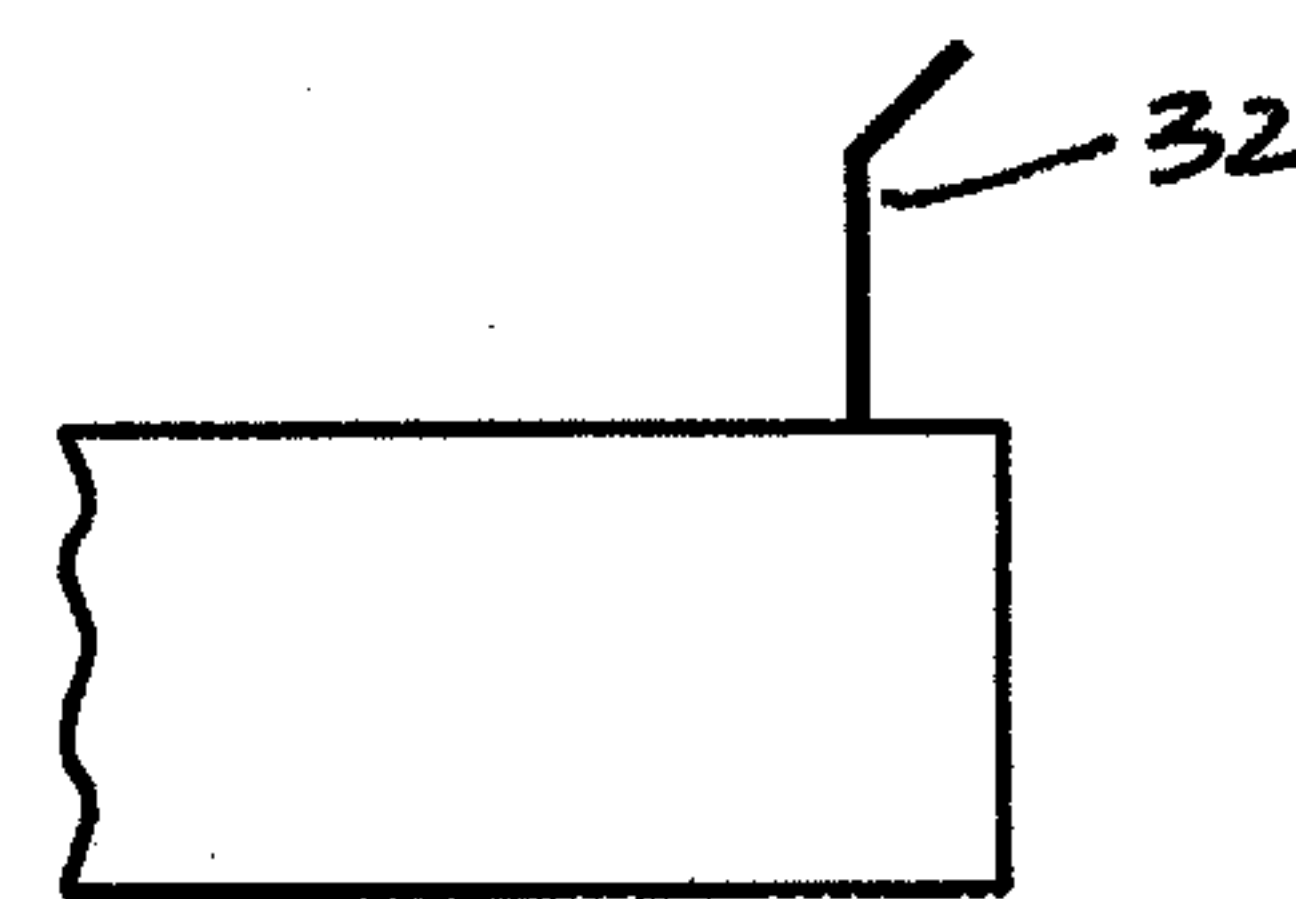
**FIG. 39F**



**FIG. 39G**

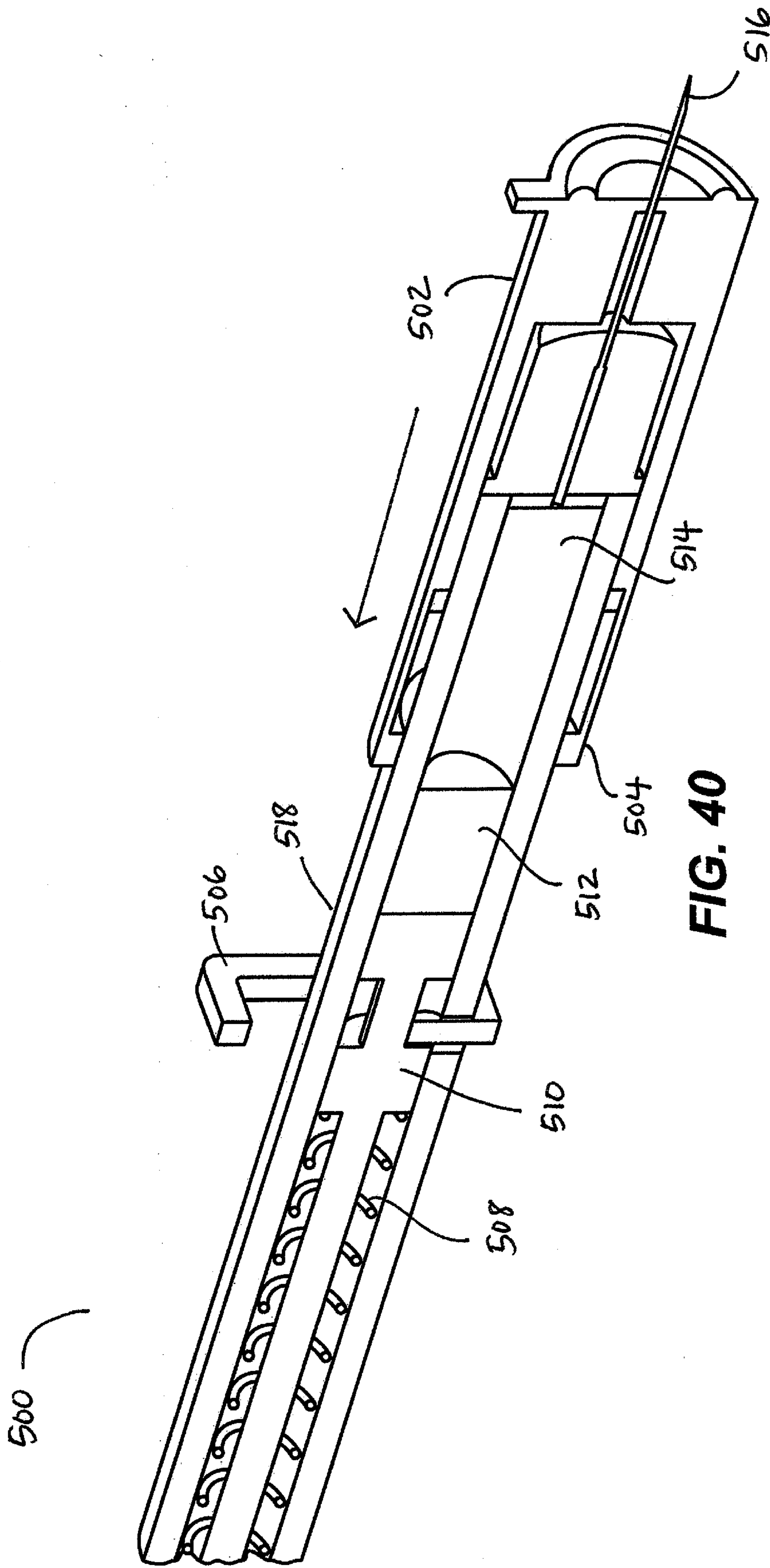


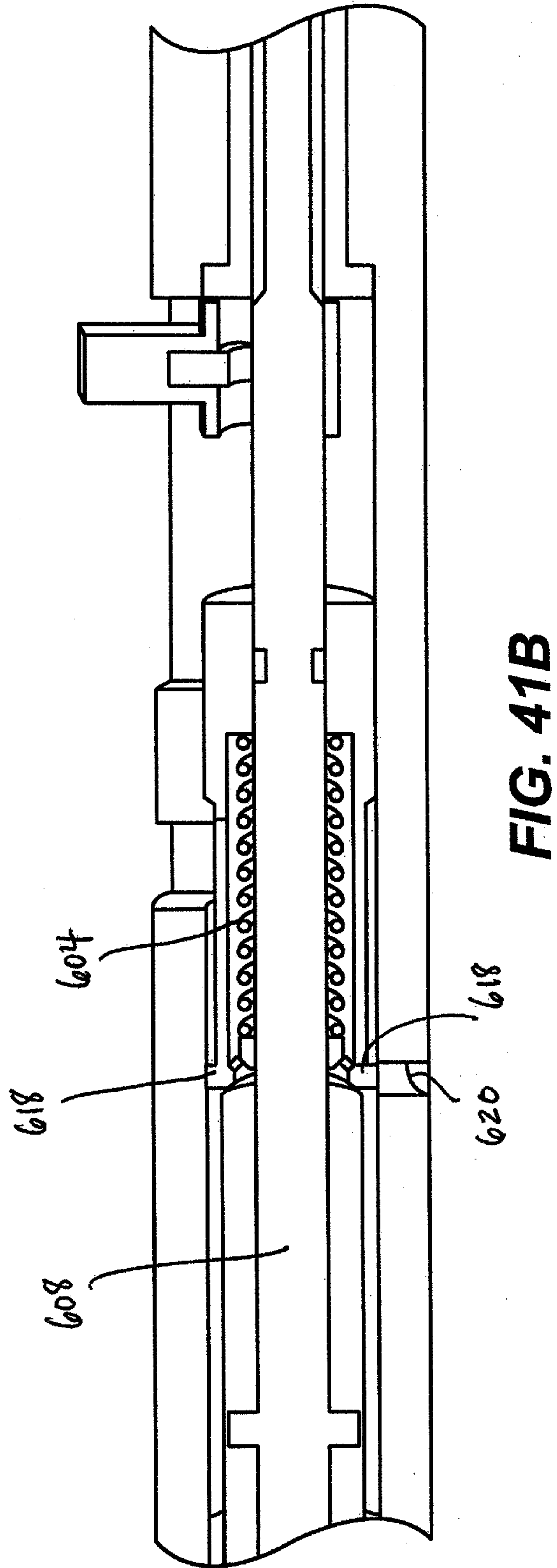
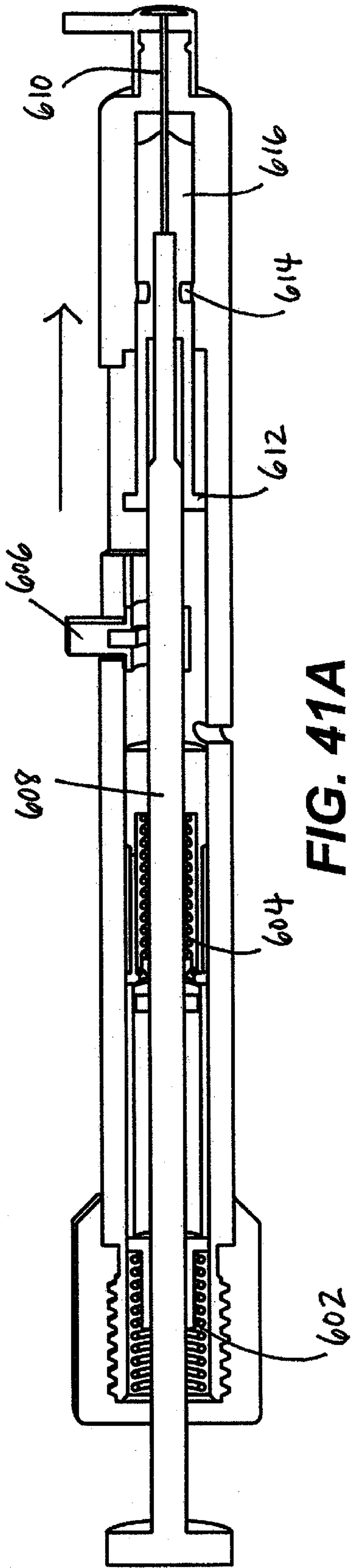
**FIG. 39H**



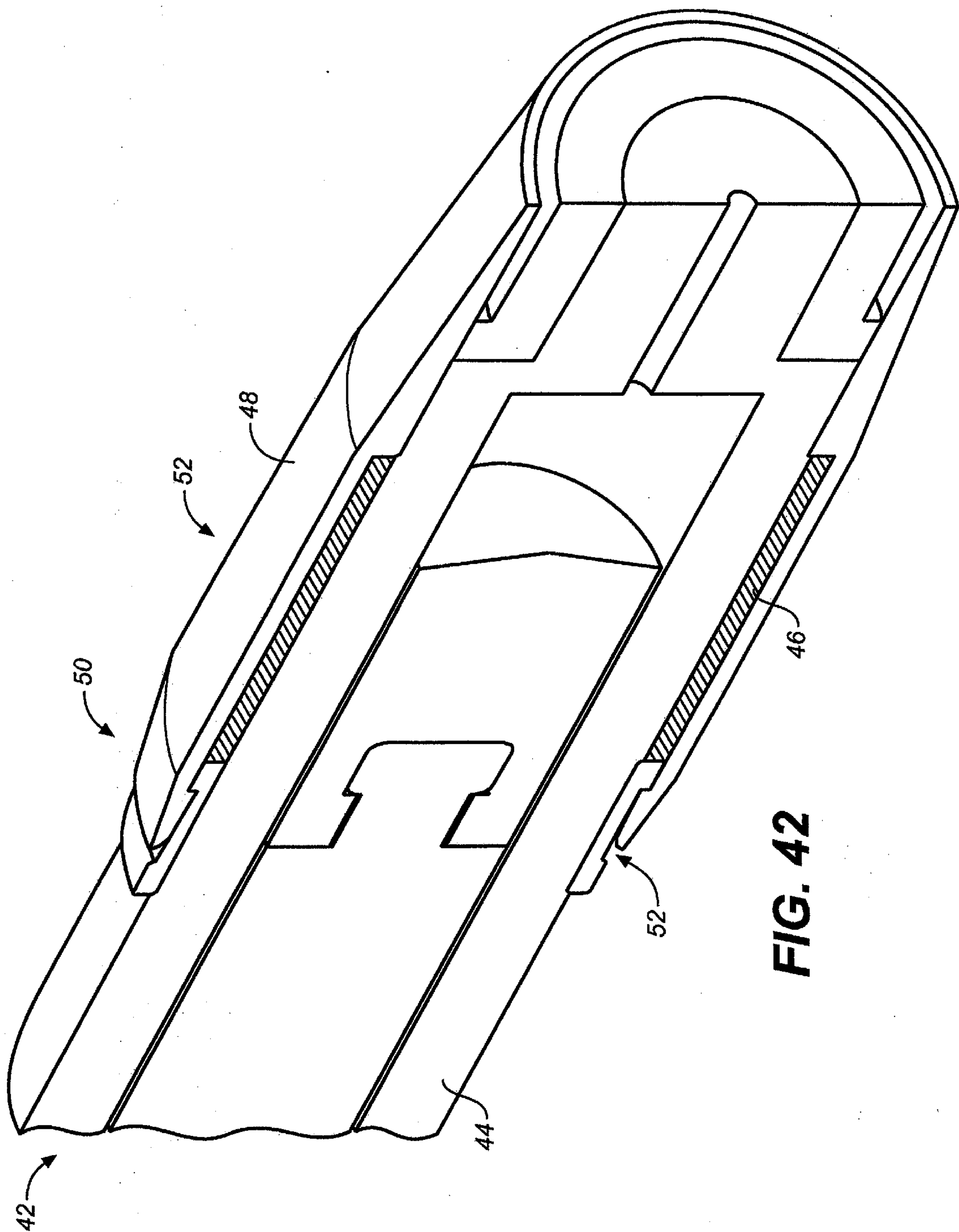
**FIG. 39I**



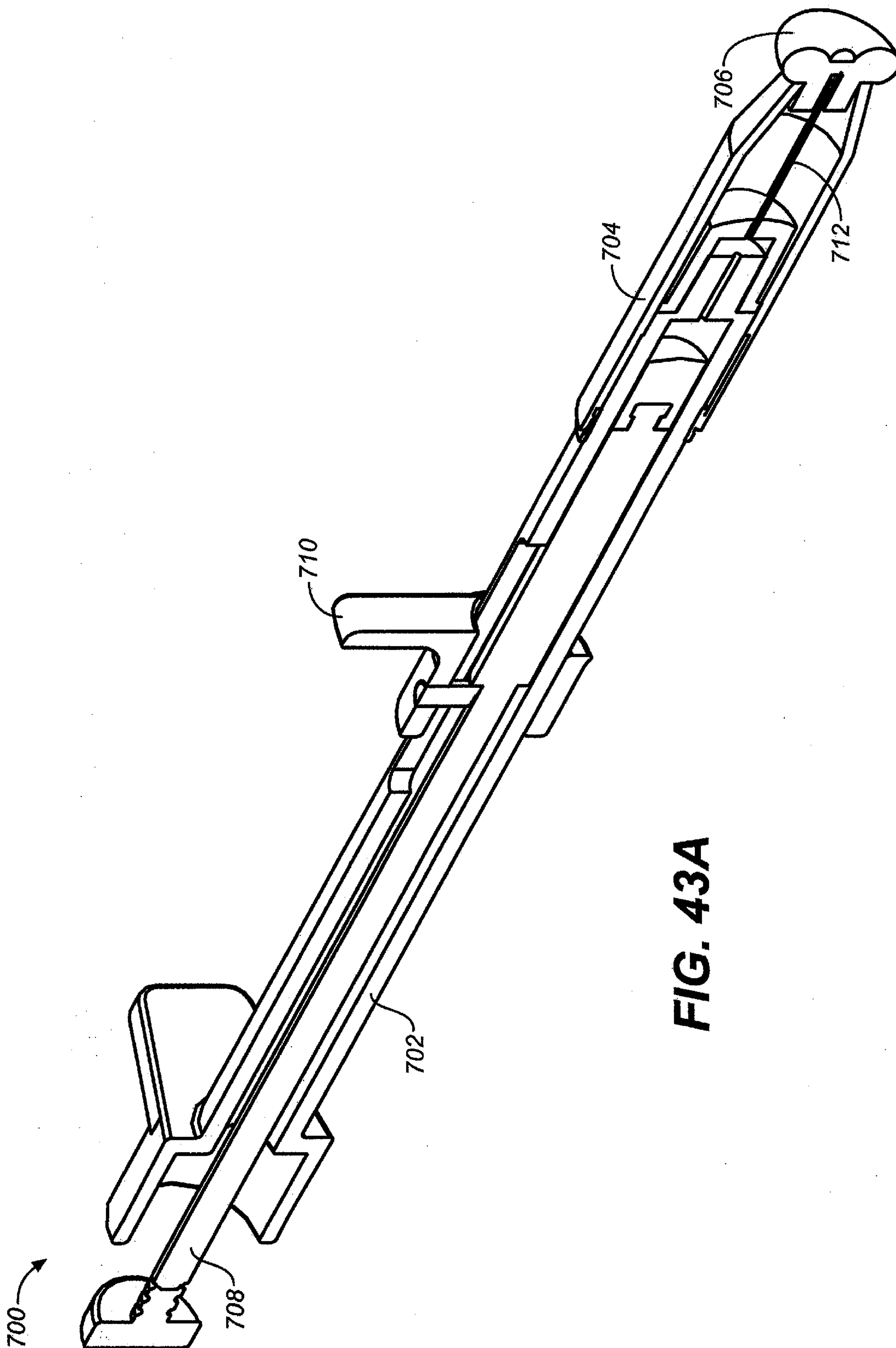




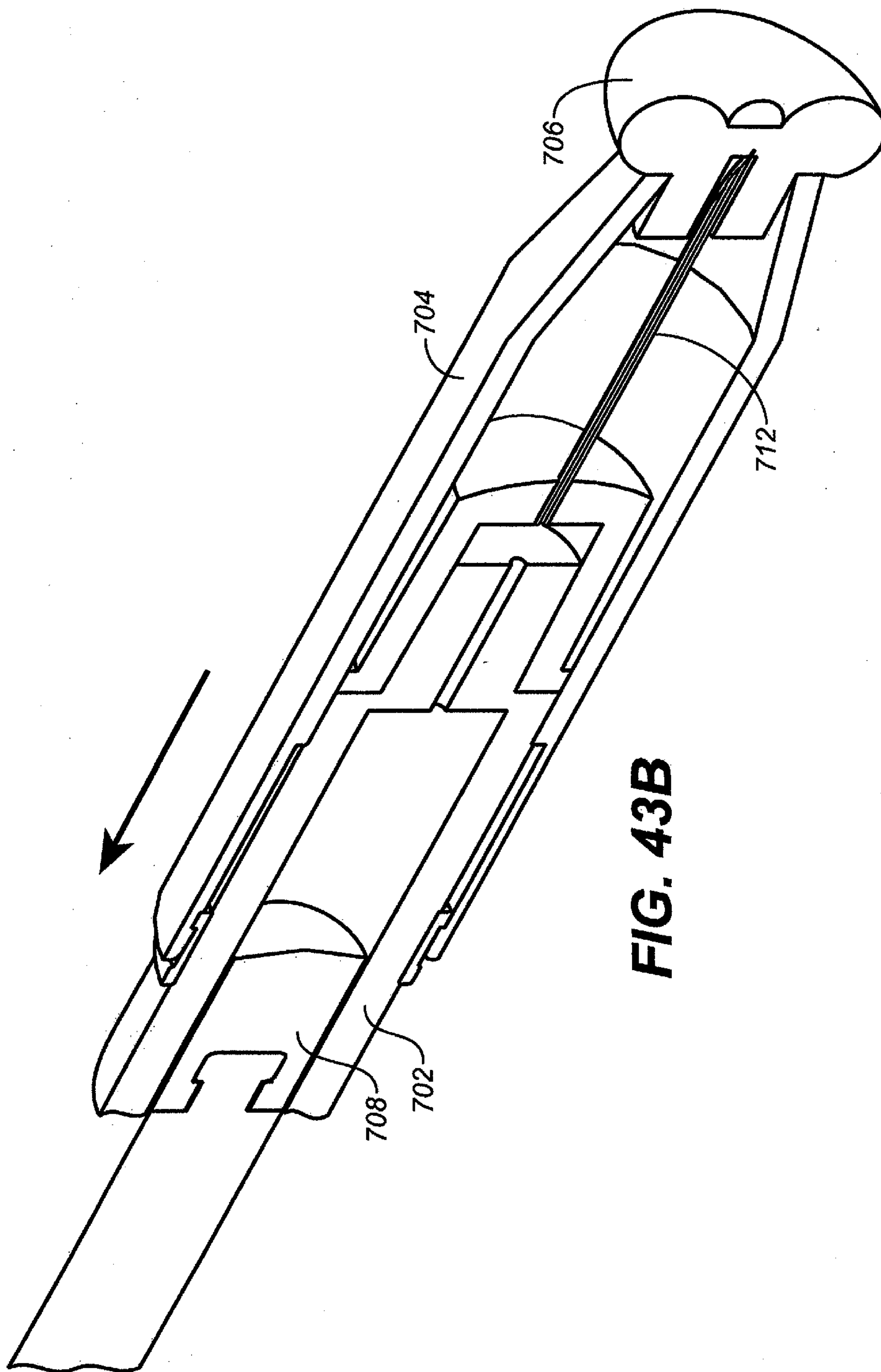




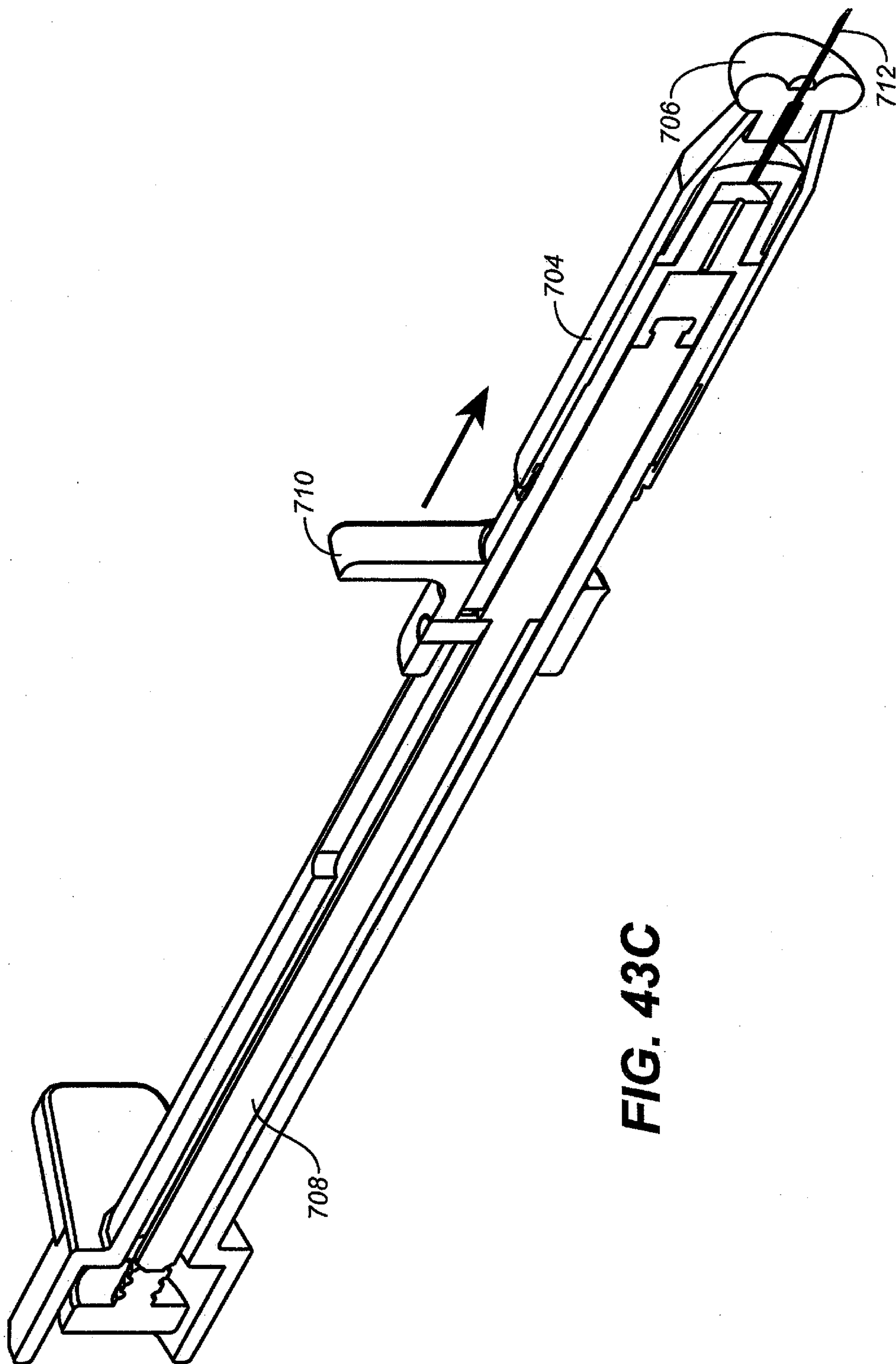
**FIG. 42**



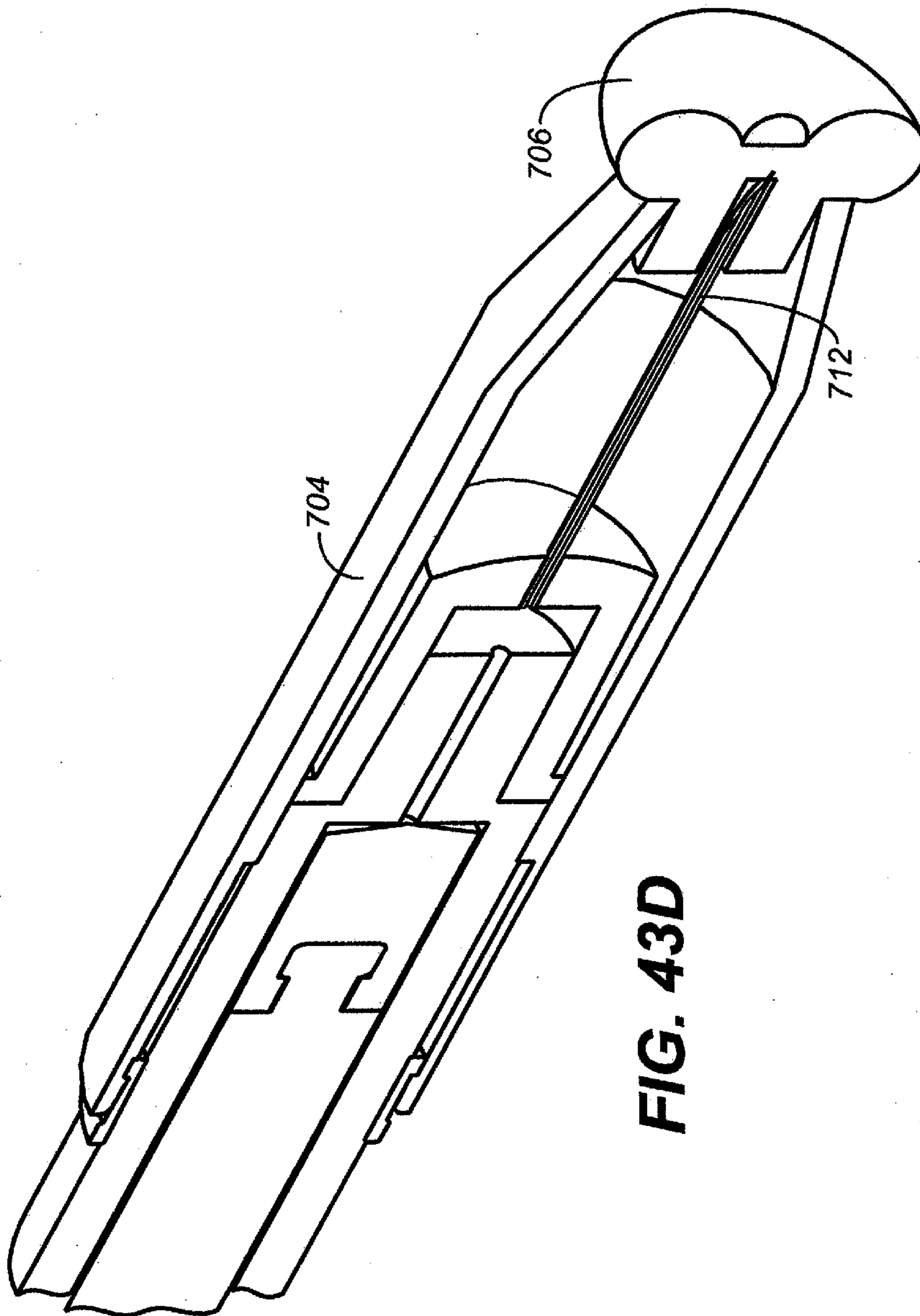
**FIG. 43A**

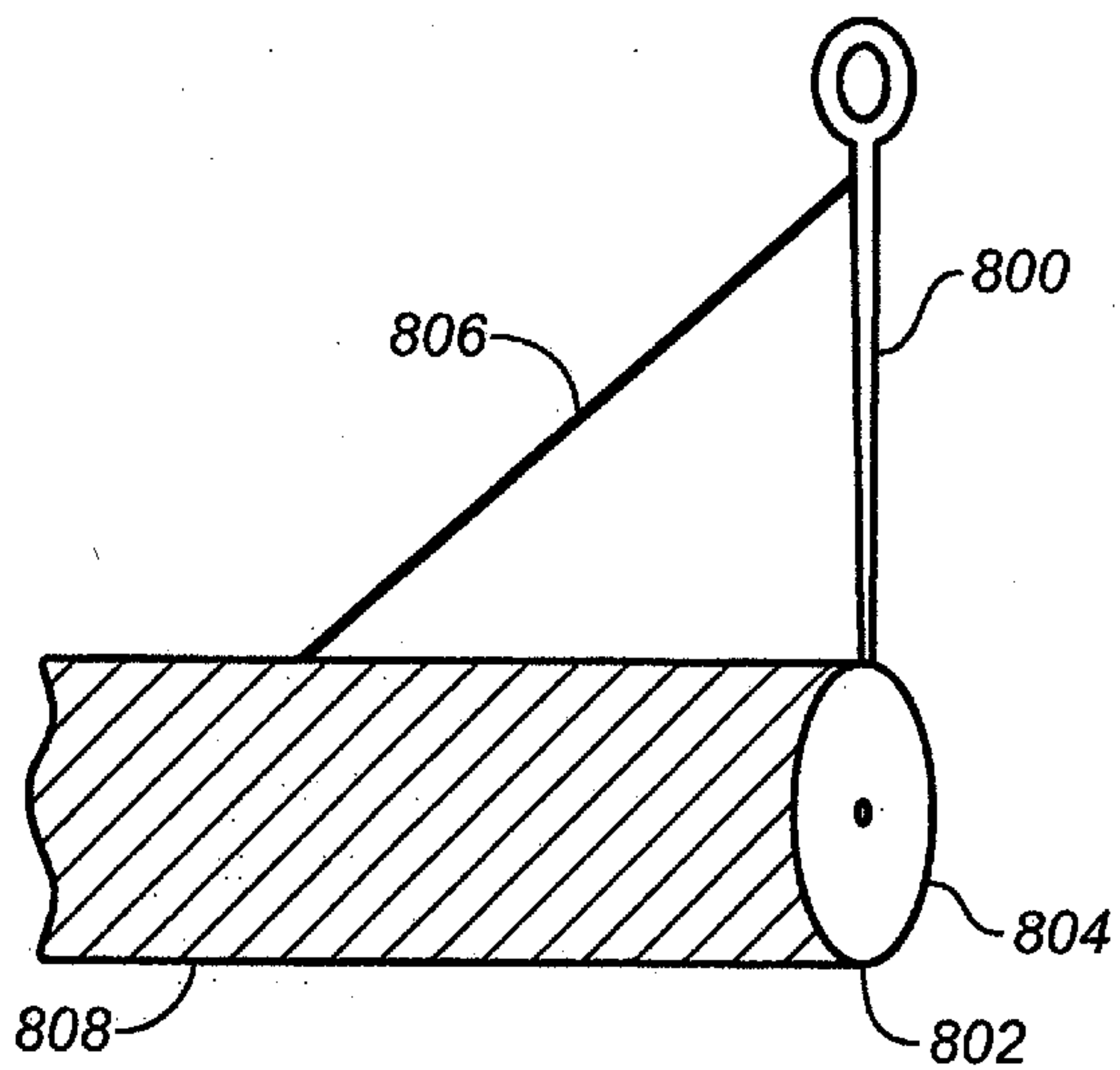




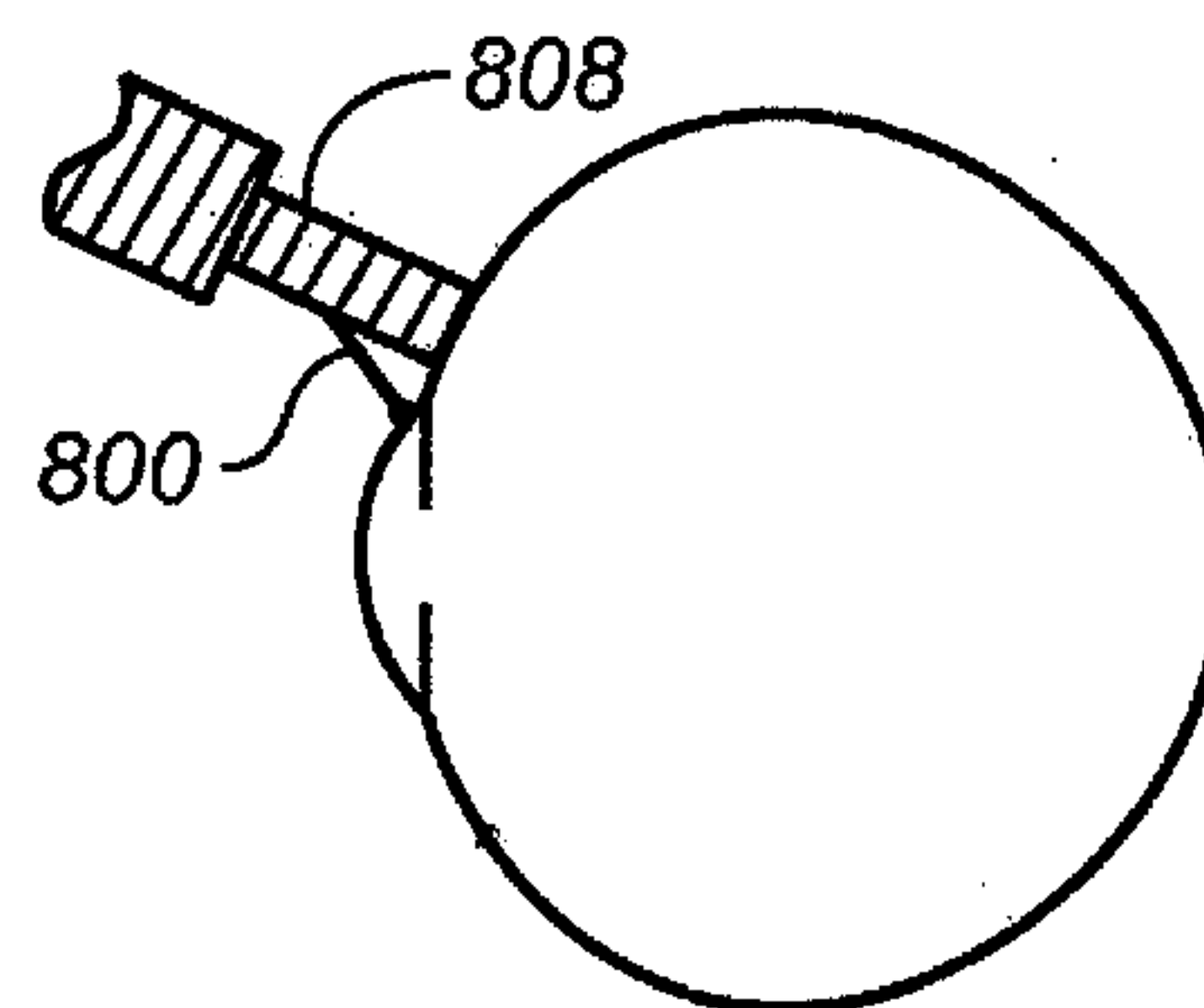


**FIG. 43C**

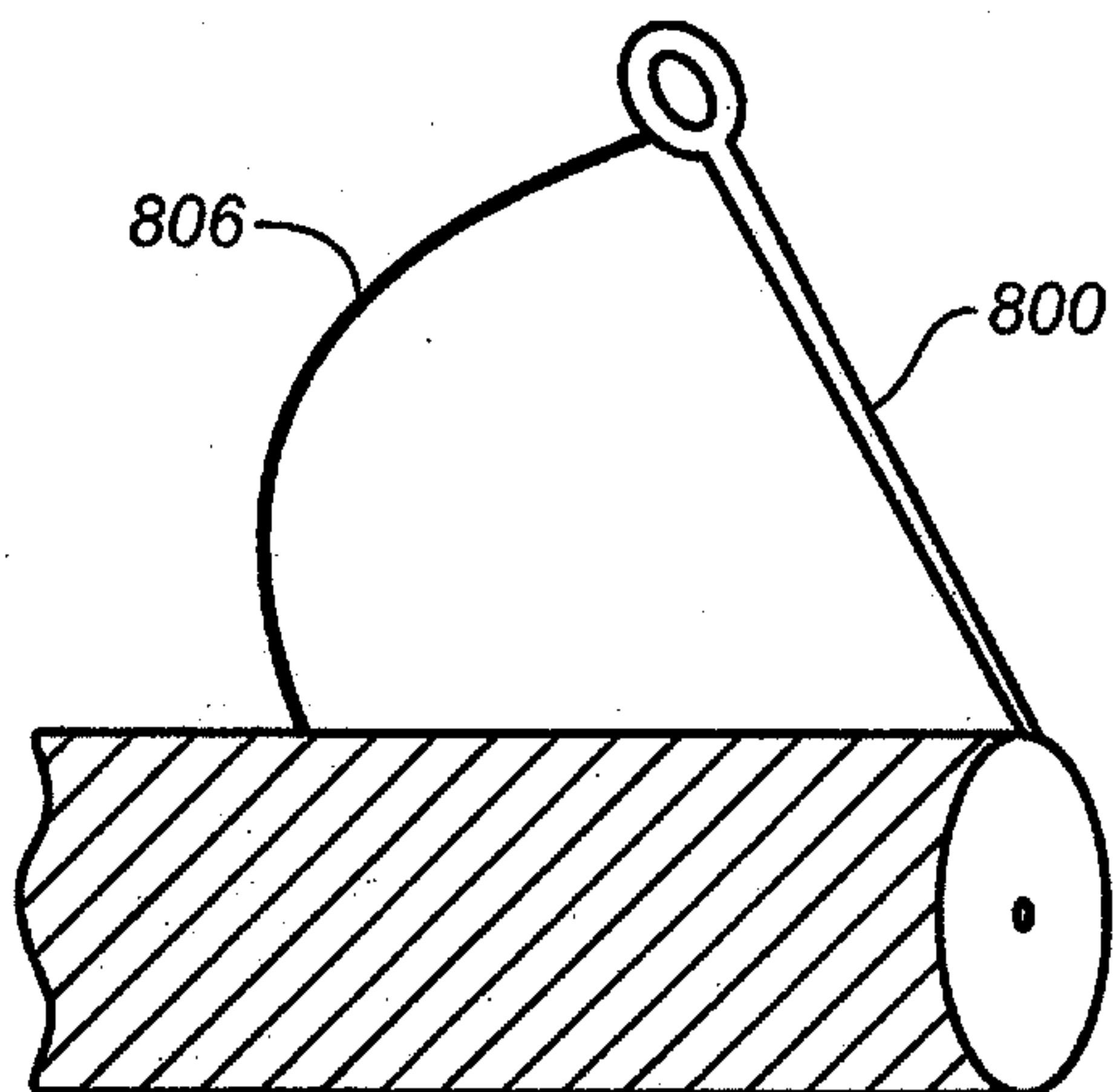




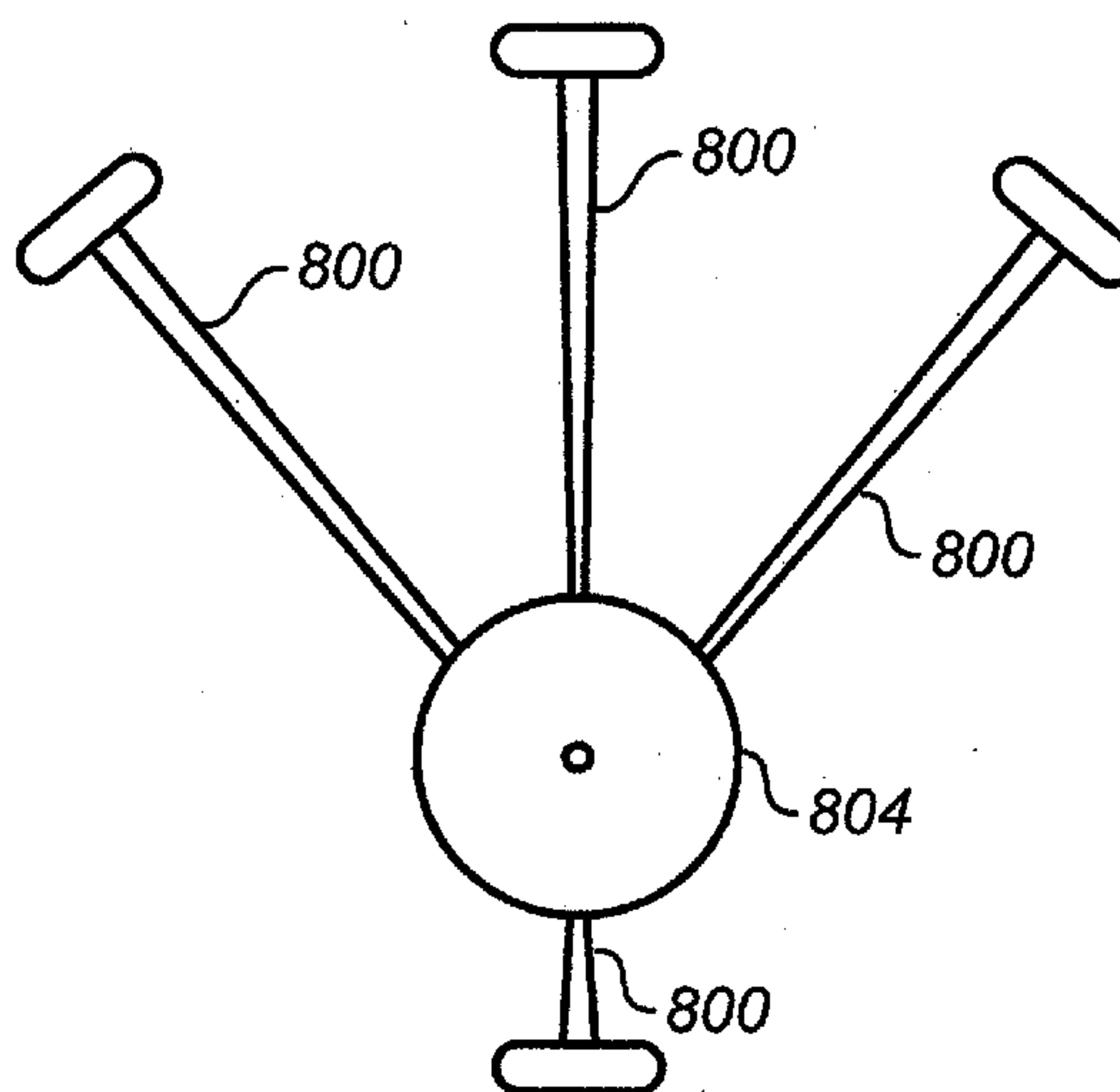
**FIG. 44A**



**FIG. 44B**

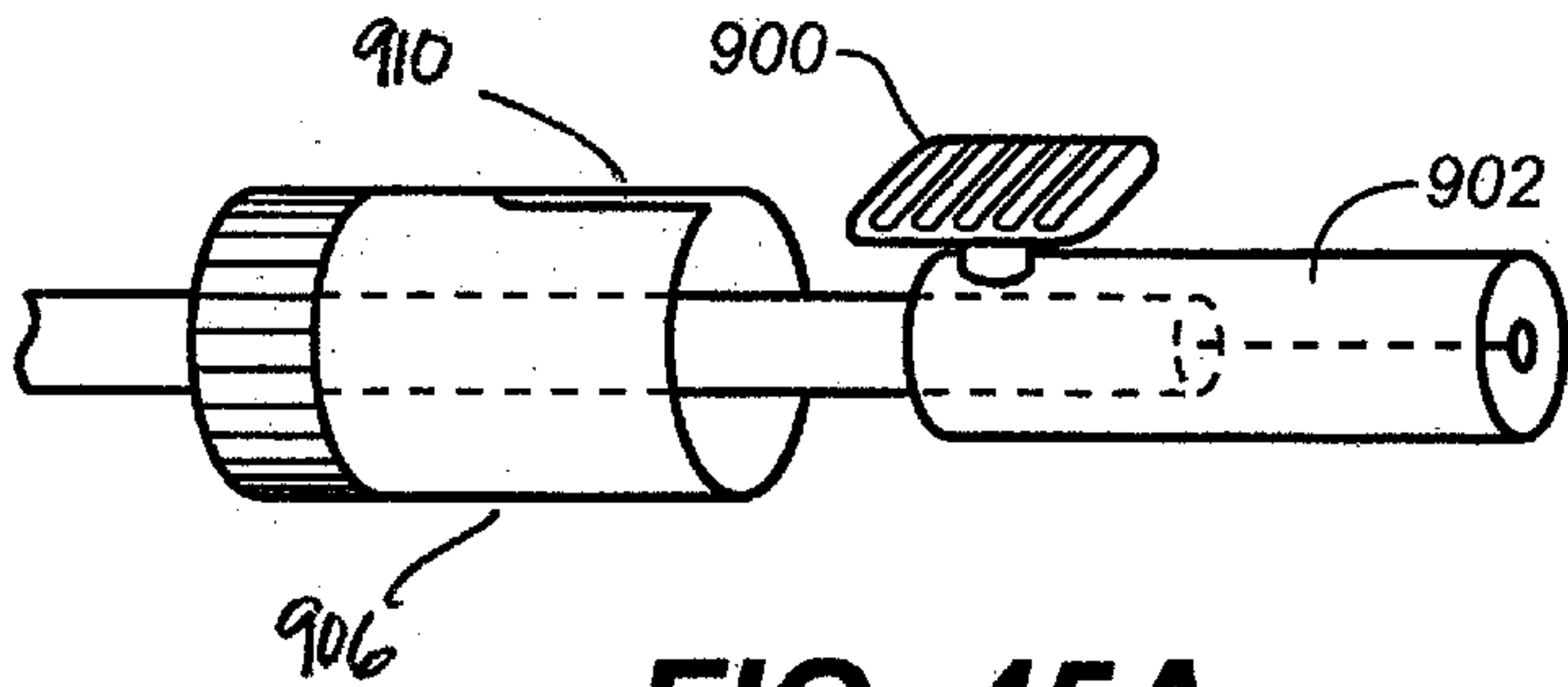


**FIG. 44C**

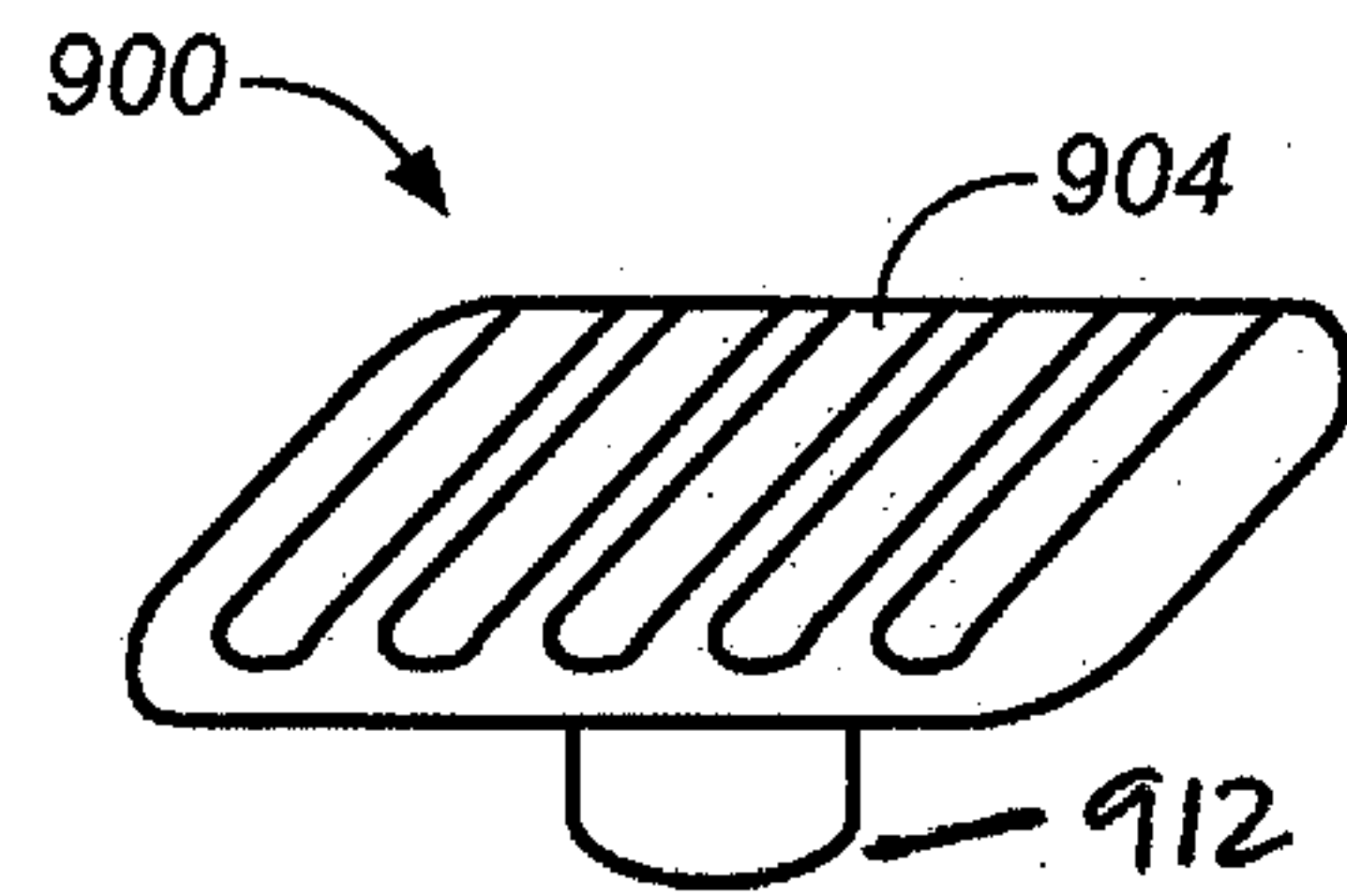


**FIG. 44D**

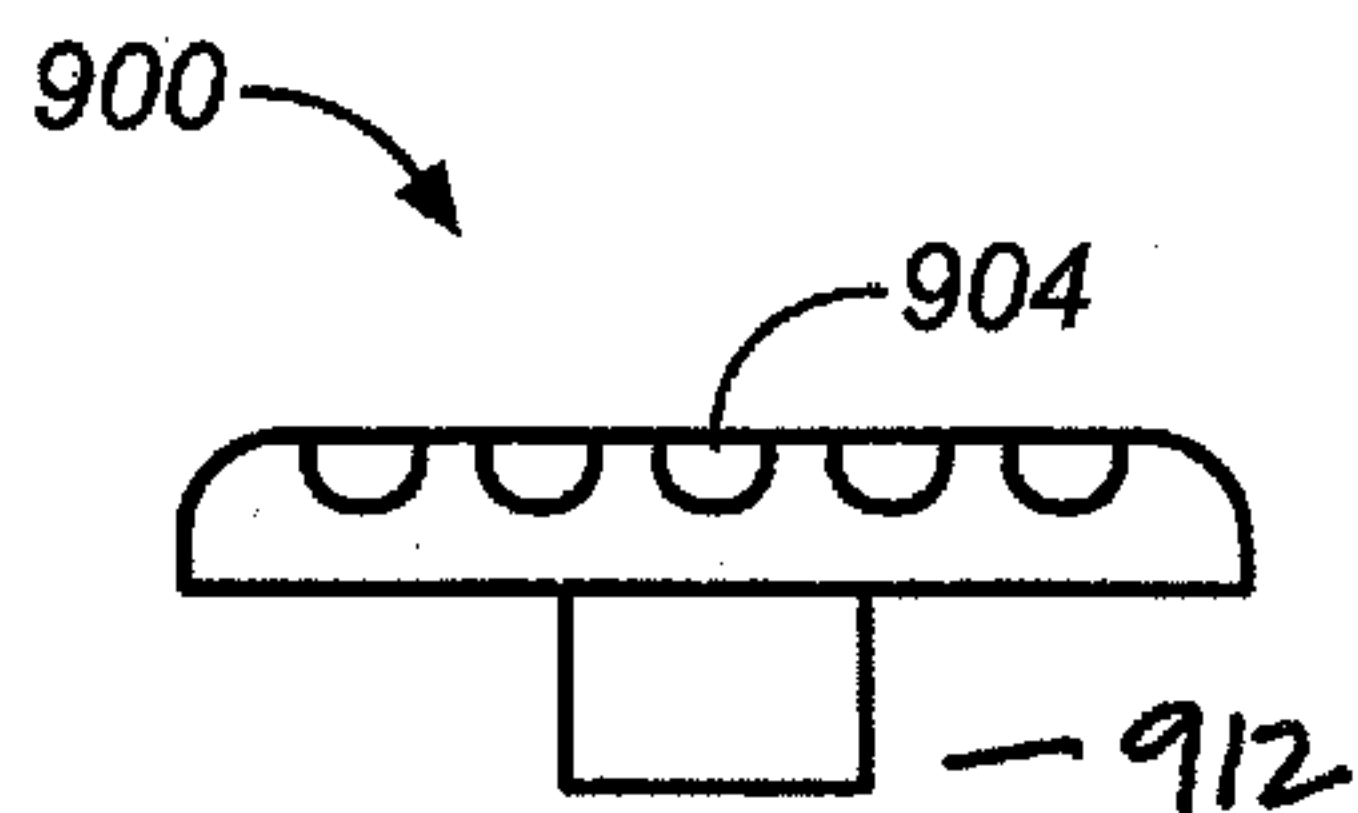




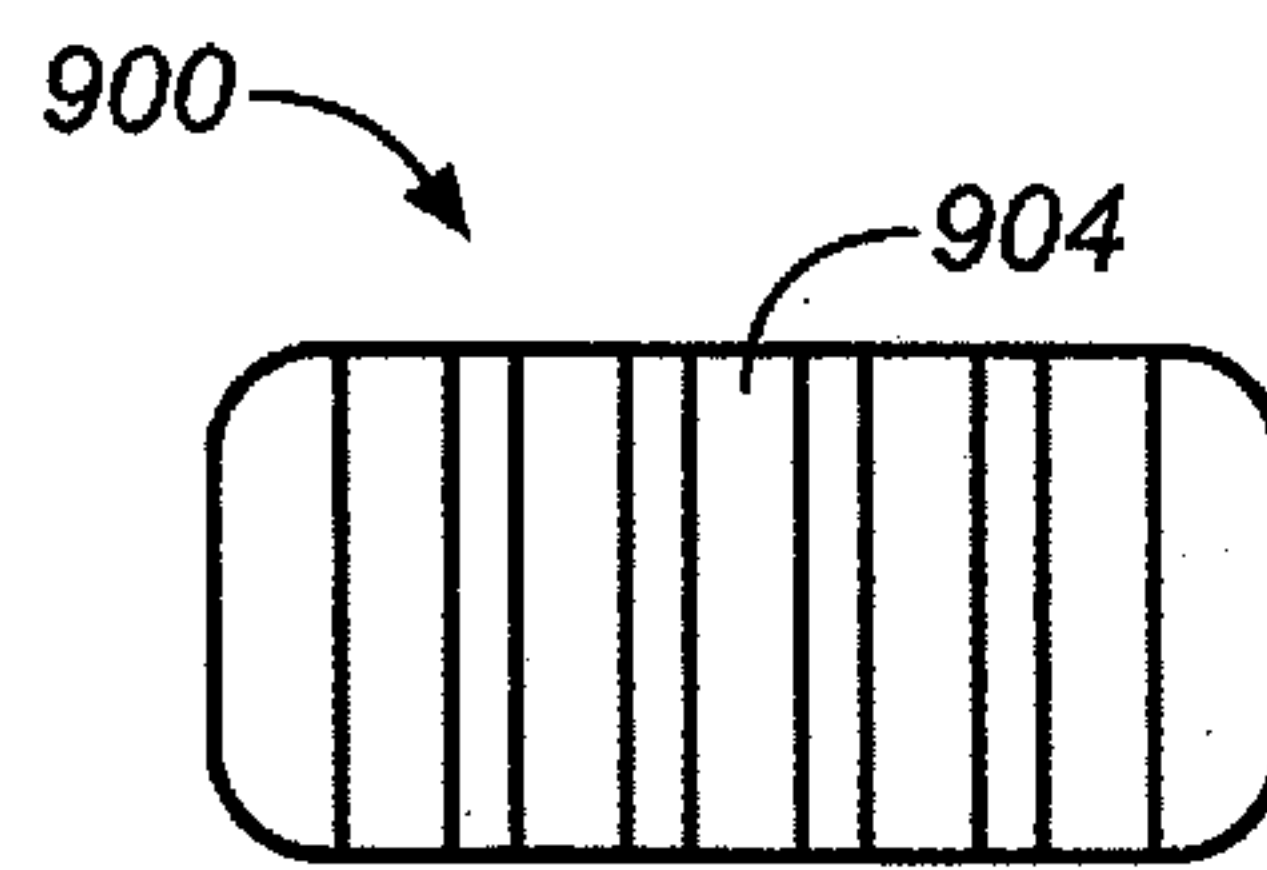
**FIG. 45A**



**FIG. 45B**



**FIG. 45C**

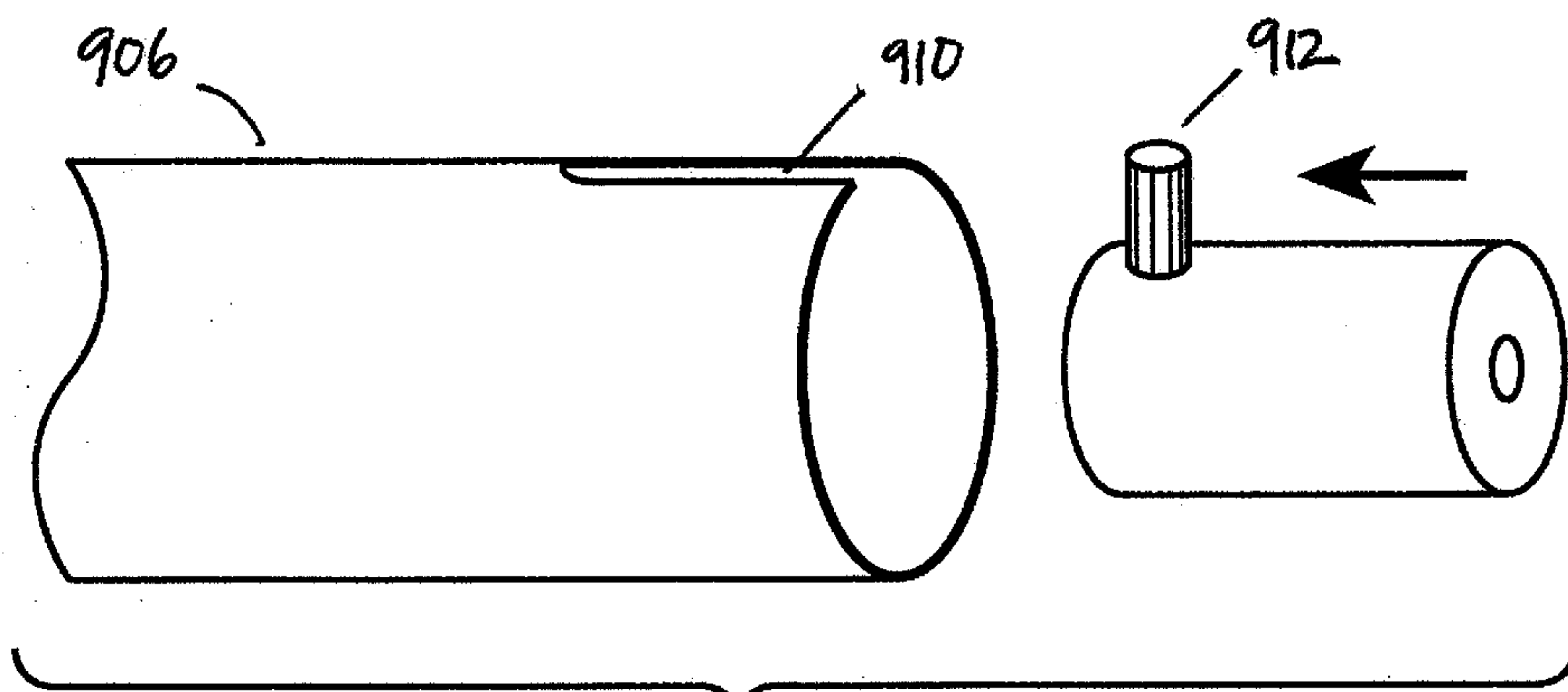


**FIG. 45D**



**FIG. 45H**

**FIG. 45I**



**FIG. 45J**

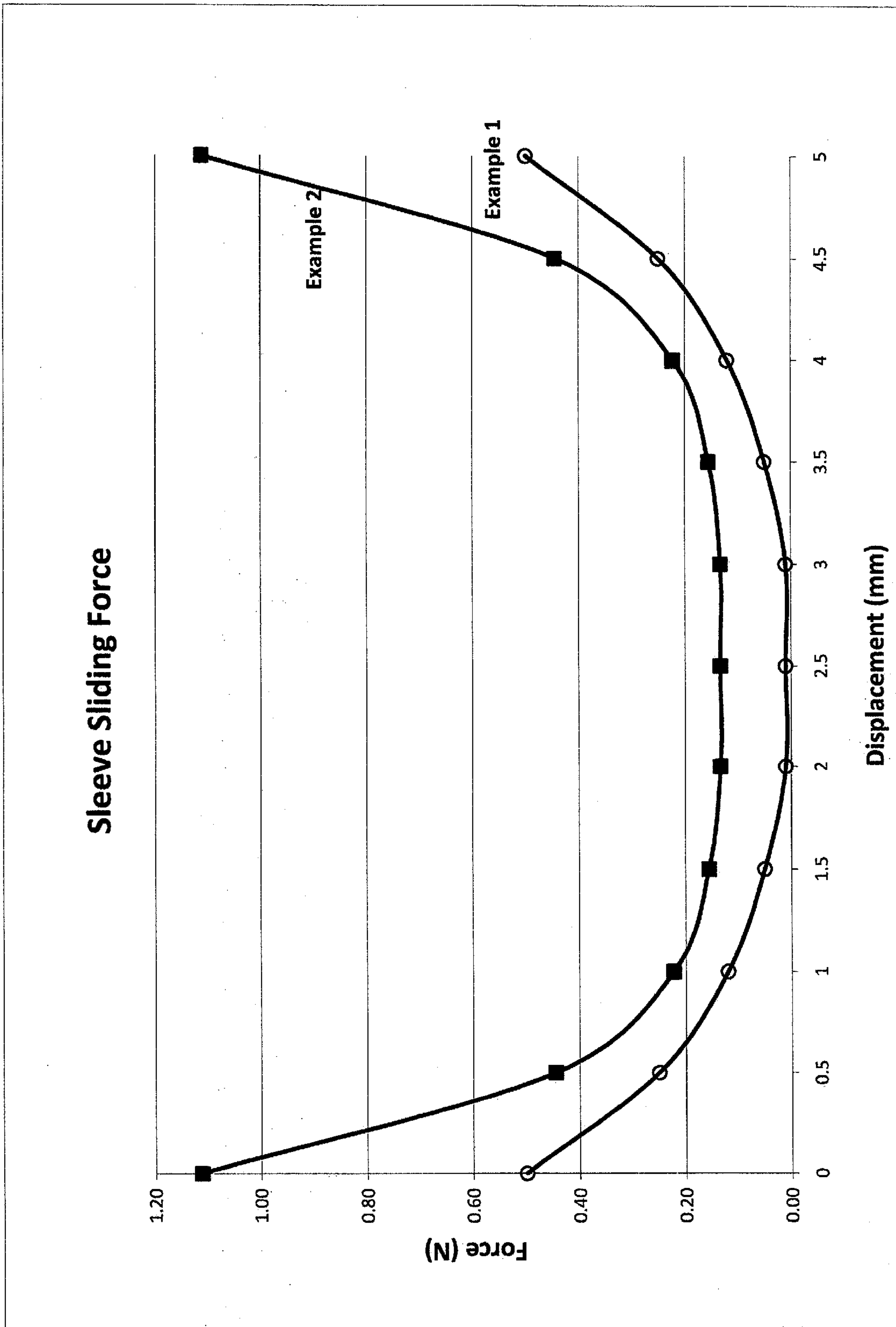
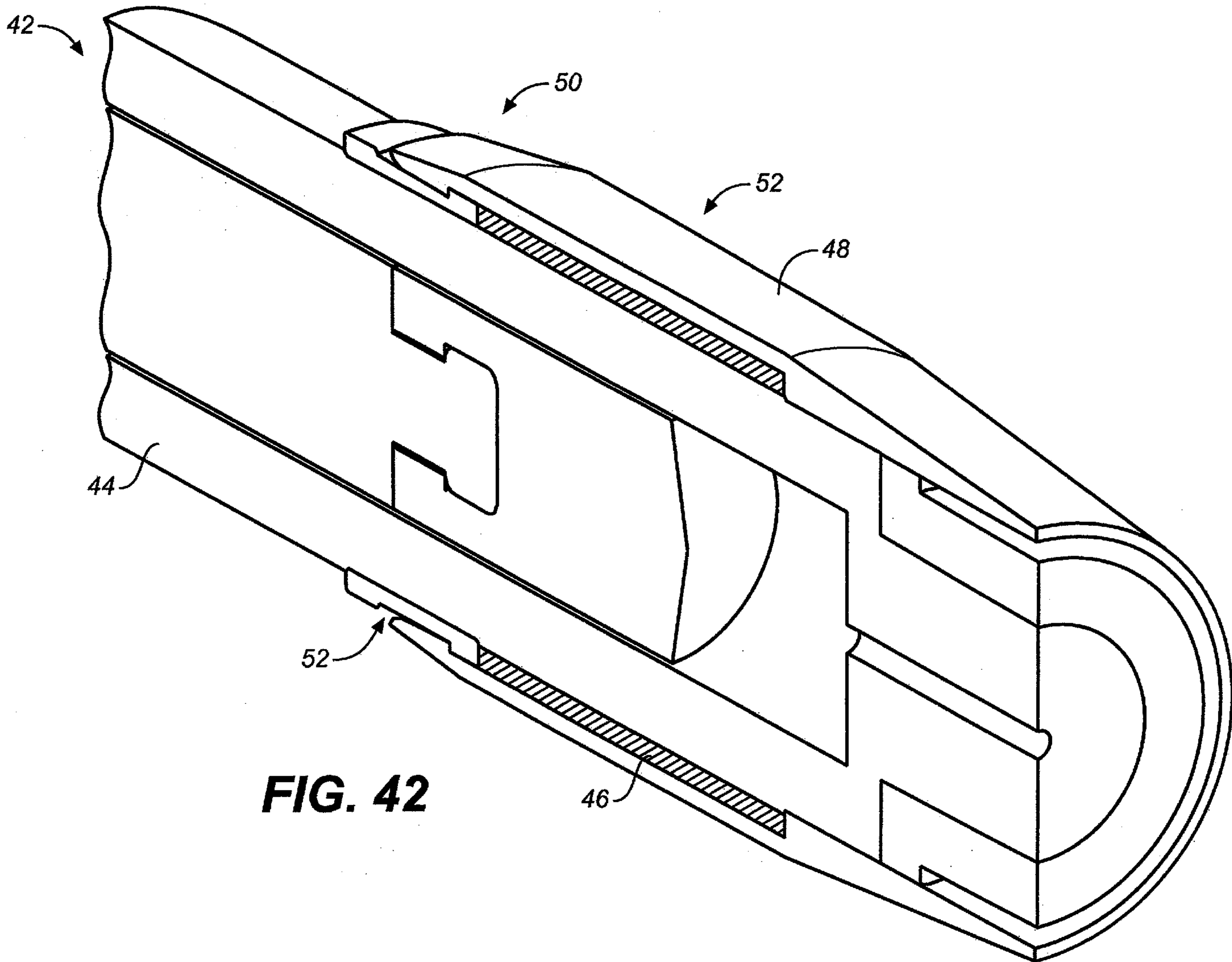


FIG. 46



**FIG. 42**