



US00D848196S

(12) **United States Design Patent** (10) **Patent No.:** **US D848,196 S**
Dash et al. (45) **Date of Patent:** **** May 14, 2019**

(54) **OVEN APPLIANCE**
(71) Applicant: **StoreBound LLC**, New York, NY (US)
(72) Inventors: **Evan Dash**, New York, NY (US);
Yiyang Zhang, Brooklyn, NY (US)
(73) Assignee: **StoreBound LLC**
(**) Term: **15 Years**
(21) Appl. No.: **29/658,419**
(22) Filed: **Jul. 31, 2018**

D525,075 S 7/2006 Jeon
D533,390 S 12/2006 Ball
7,211,775 B2 5/2007 Lee
D564,283 S 3/2008 Leung et al.
D564,284 S 3/2008 Leung et al.
D585,235 S 1/2009 Tetreault et al.
D587,959 S * 3/2009 Hensel D7/350.1
D614,905 S 5/2010 Fiorotto
D638,249 S * 5/2011 Ryan D7/350.1
8,003,923 B2 8/2011 Wilsdorf
D655,970 S 3/2012 de' Longhi
D663,156 S * 7/2012 Curtis D7/350.1
D673,000 S * 12/2012 De' Longhi D7/350.1
8,716,631 B2 5/2014 Venezia et al.
D708,005 S * 7/2014 Kurt D7/350.4

(Continued)

Related U.S. Application Data

(62) Division of application No. 29/597,371, filed on Mar. 16, 2017, now Pat. No. Des. 825,247.
(51) **LOC (11) Cl.** **07-02**
(52) **U.S. Cl.**
USPC **D7/328**
(58) **Field of Classification Search**
USPC ... D7/323, 328-330, 339-349, 350.1-350.4,
D7/390, 402-406; D8/300-306
CPC ... A21B 2/00; A47J 37/00; A47J 37/06; A47J
37/0611; A47J 37/08; A47J 37/0807;
A47J 37/0814; A47J 37/0835; A47J
37/0842; A47J 37/085; A47J 37/0864;
A47J 37/0878; A47J 37/0885; A47J
37/0892; F24C 7/00; F24C 7/002; F24C
7/046; F24C 7/067; F24C 15/02; F24C
15/04; F24C 15/10; F24C 15/102
See application file for complete search history.

FOREIGN PATENT DOCUMENTS

CN 202723632 2/2013
CN 204049335 12/2014
DE 102008041519 3/2010

Primary Examiner — Ricky Pham

(74) *Attorney, Agent, or Firm* — The Belles Group, P.C.

(57) **CLAIM**

We claim the ornamental design for a oven appliance, as shown and described.

DESCRIPTION

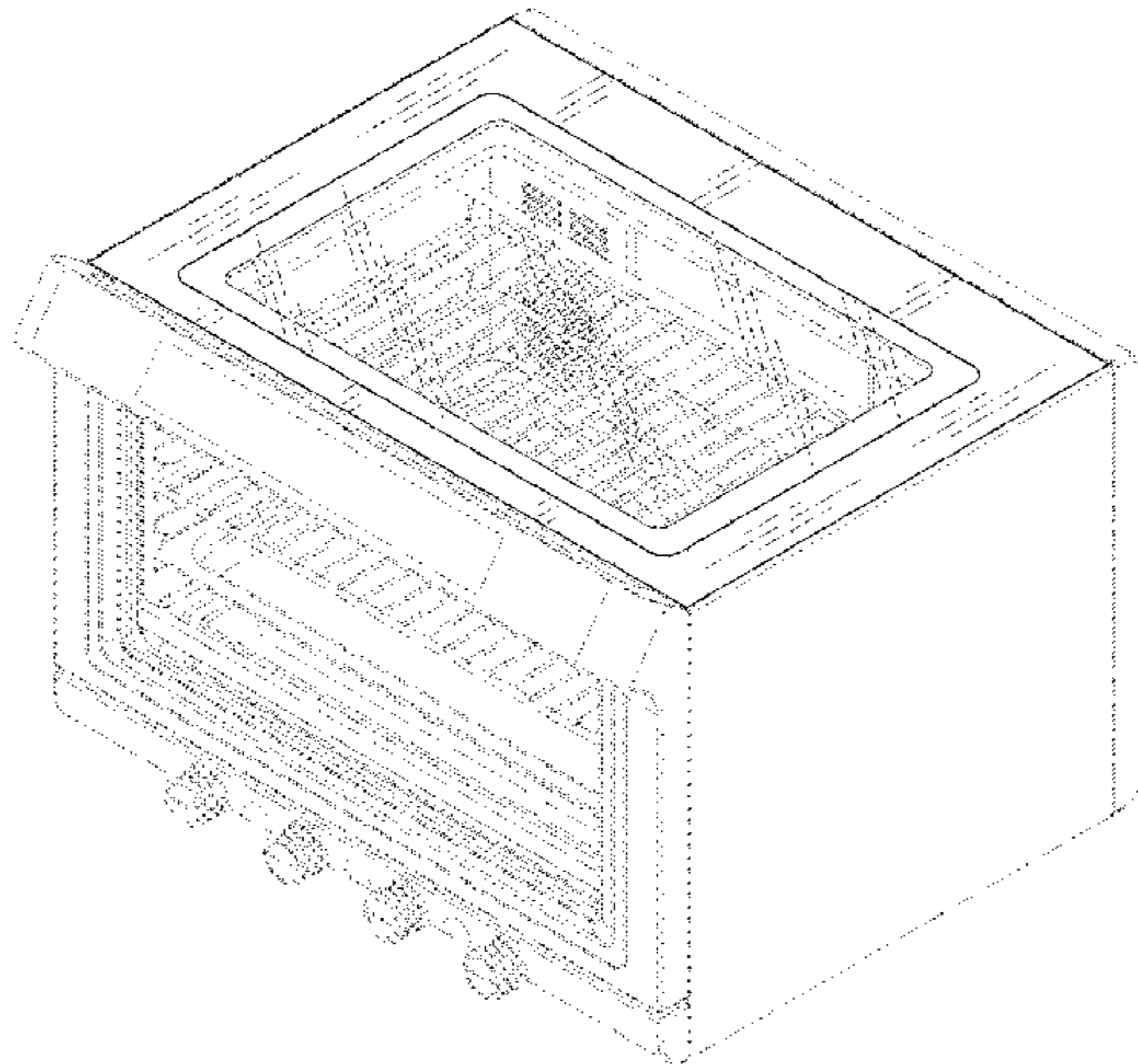
FIG. 1 is a front top right perspective view of an oven appliance in accordance with the present invention; FIG. 2 is a rear bottom right perspective view thereof; FIG. 3 is a front elevation view thereof; FIG. 4 is a rear elevation view thereof; FIG. 5 is a right-side elevation view thereof; FIG. 6 is a left-side elevation view thereof; FIG. 7 is a top plan view thereof; and, FIG. 8 is a bottom plan view thereof. The broken lines in the drawings illustrate portions of the article that form no part of the claimed design.

(56) **References Cited**

U.S. PATENT DOCUMENTS

3,151,612 A 10/1964 Keeling, Sr. et al.
5,960,785 A 10/1999 Byrne et al.
6,363,836 B1 4/2002 Usherovich
D495,556 S 9/2004 Milrud et al.

1 Claim, 8 Drawing Sheets



(56)

References Cited

U.S. PATENT DOCUMENTS

D717,579	S	*	11/2014	Gregory	D7/350.4
D736,554	S	*	8/2015	Steiner	D7/350.1
D738,154	S	*	9/2015	Miller	D7/328
D742,163	S	*	11/2015	De'Longhi	D7/350.1
D788,514	S	*	6/2017	Bock	D7/329
D819,386	S	*	6/2018	Gushwa	D7/328
D825,247	S	*	8/2018	Dash	D7/328
D827,356	S	*	9/2018	Gushwa	D7/328
2012/0111366	A1		5/2012	Baldwin et al.		

* cited by examiner

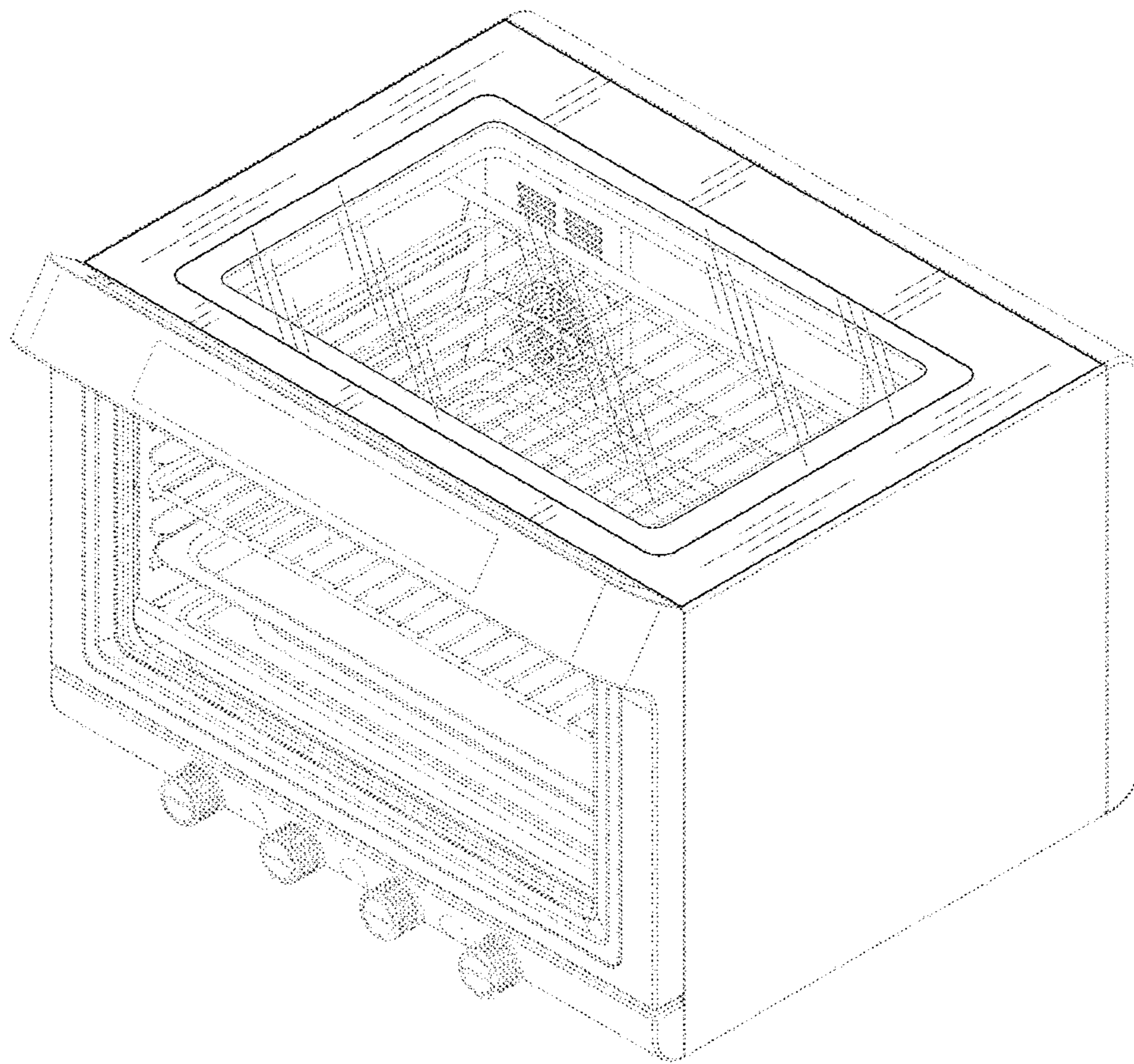


FIG. 1

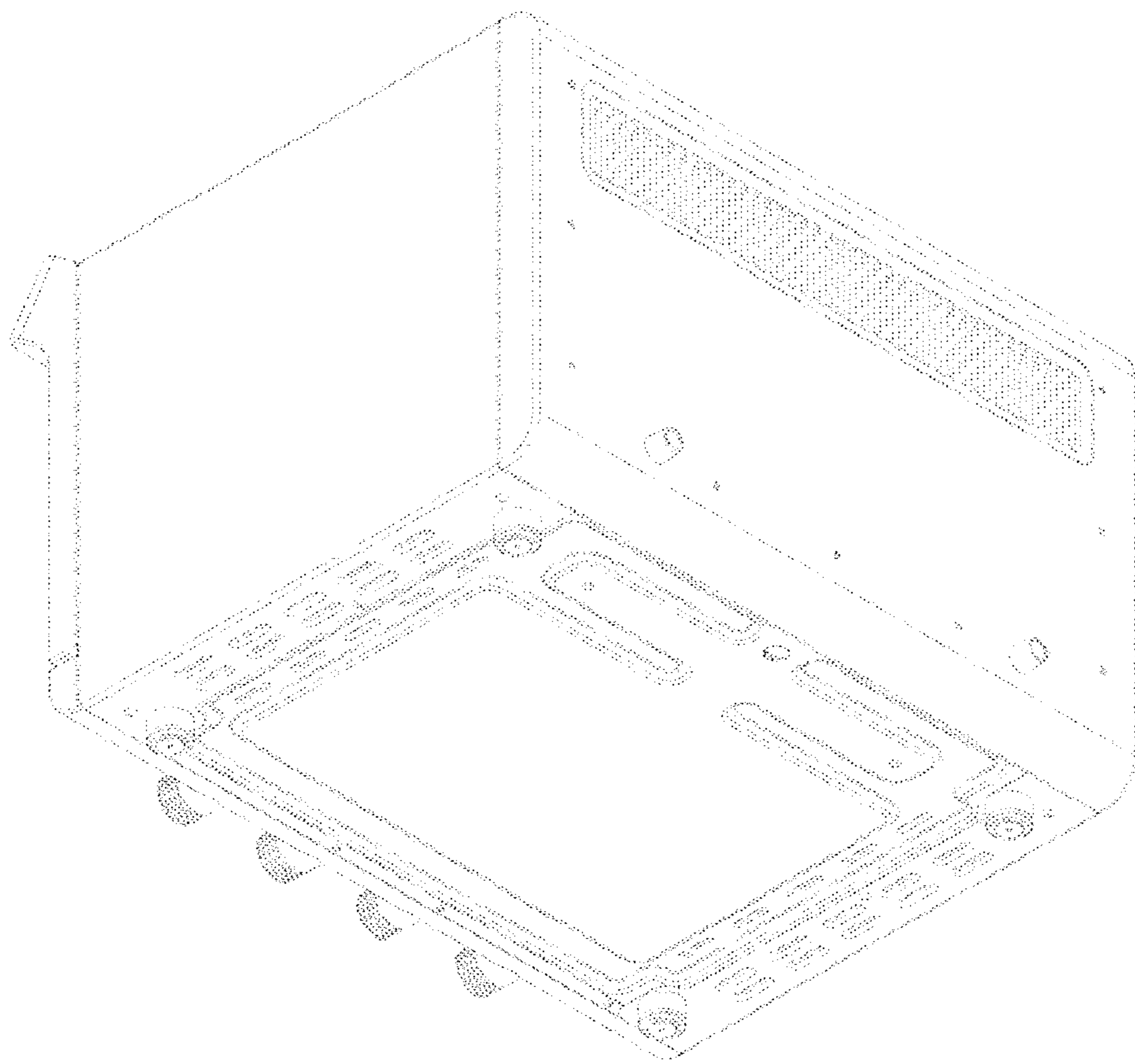


FIG. 2

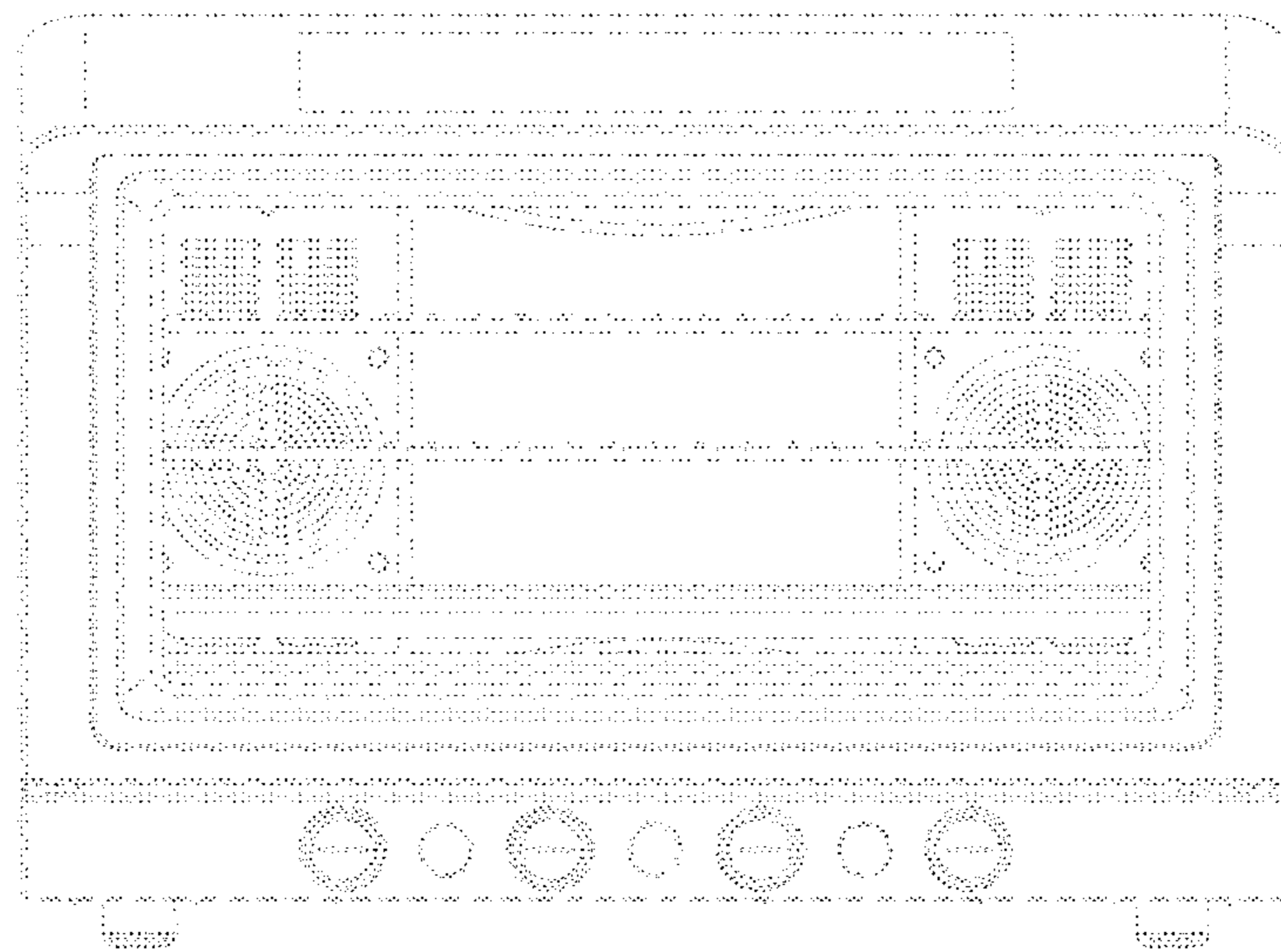


FIG. 3

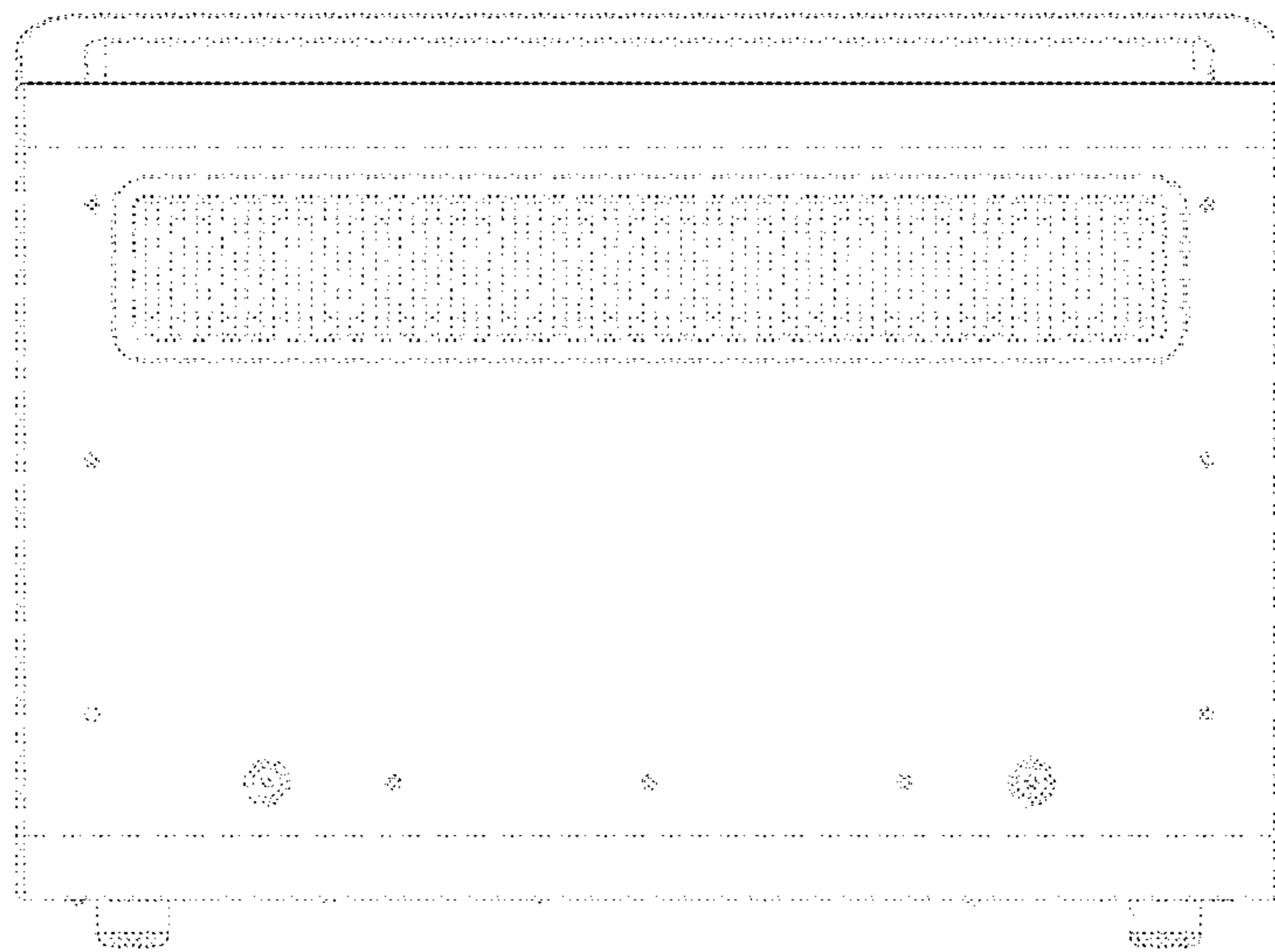


FIG. 4

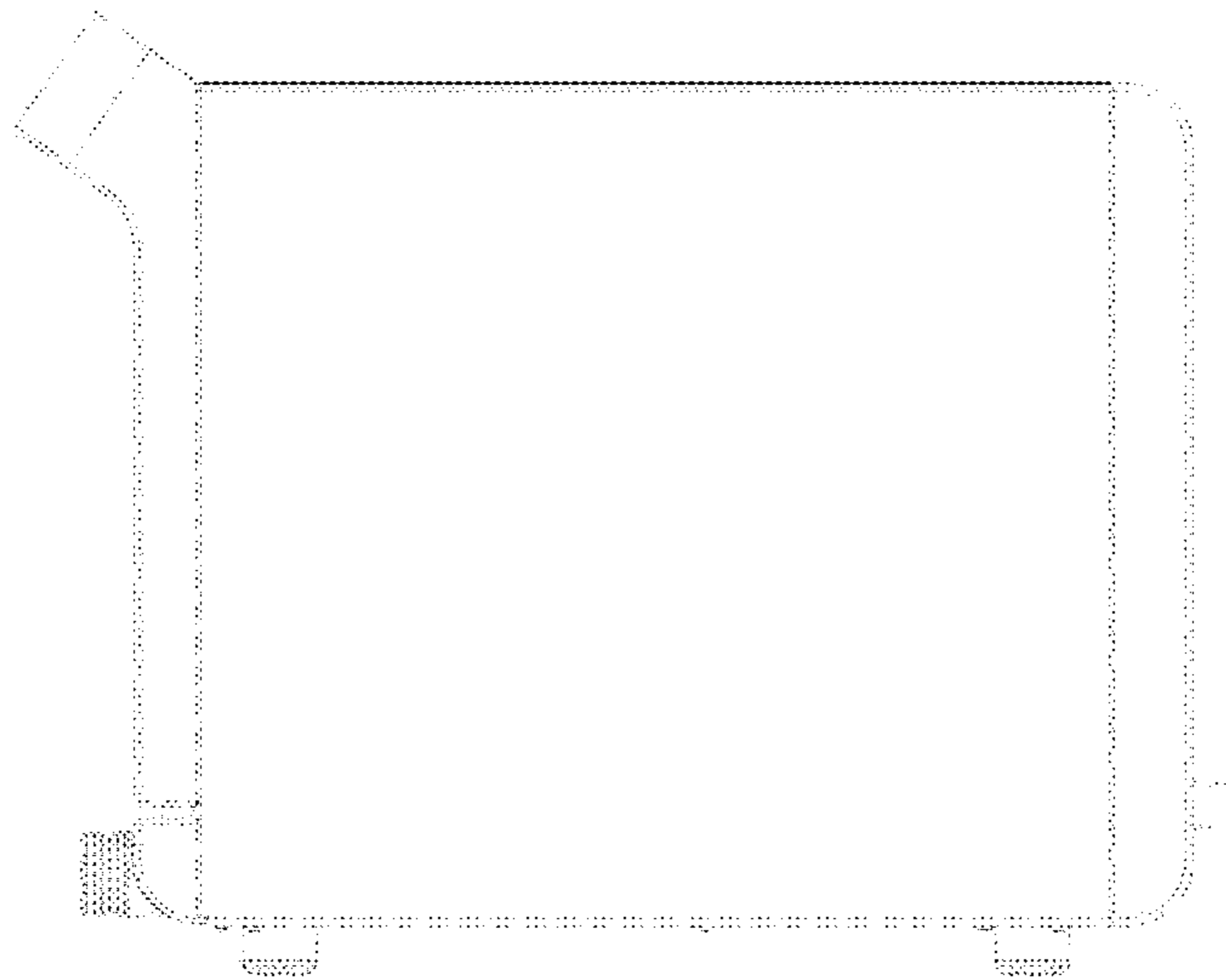


FIG. 5

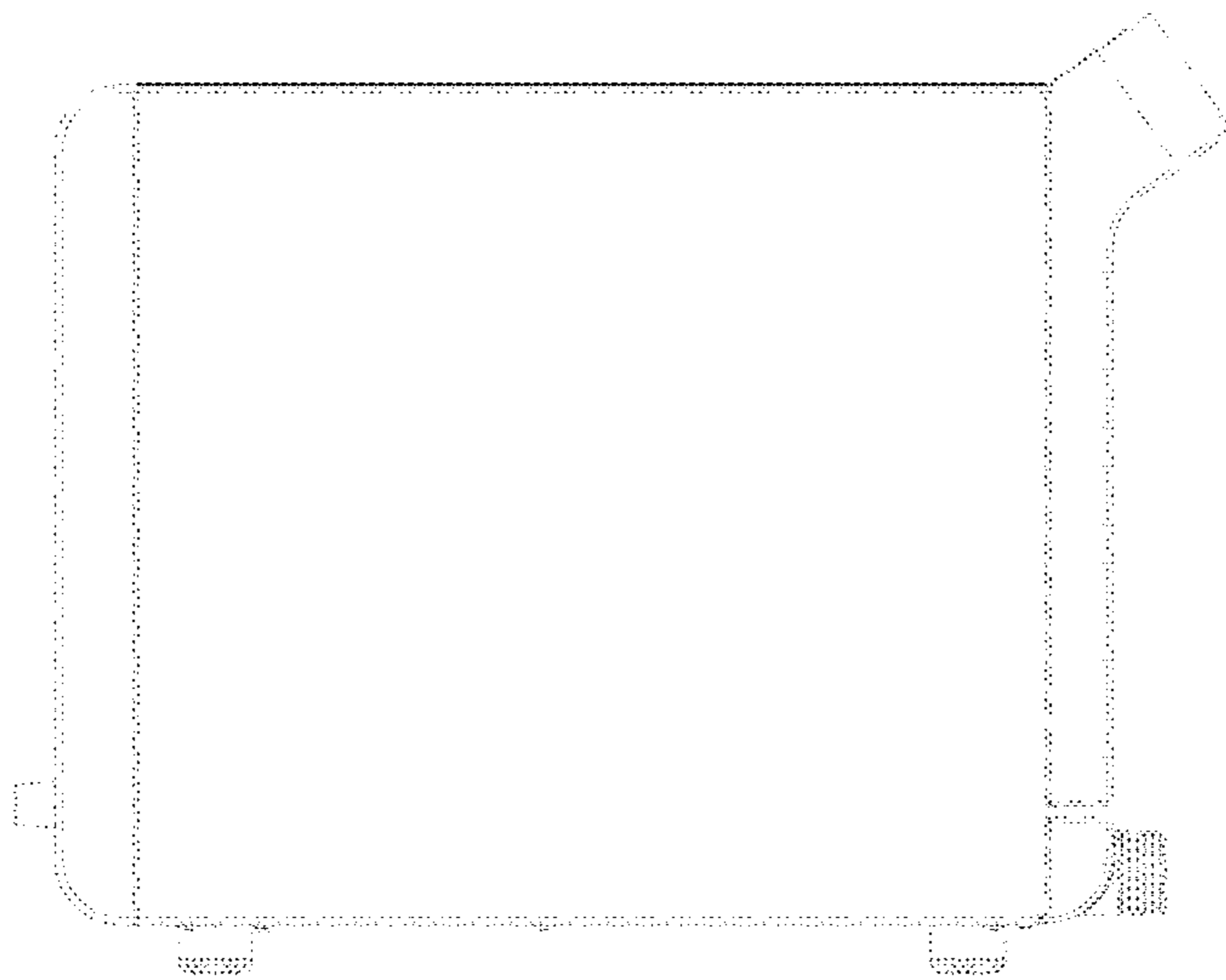


FIG. 6

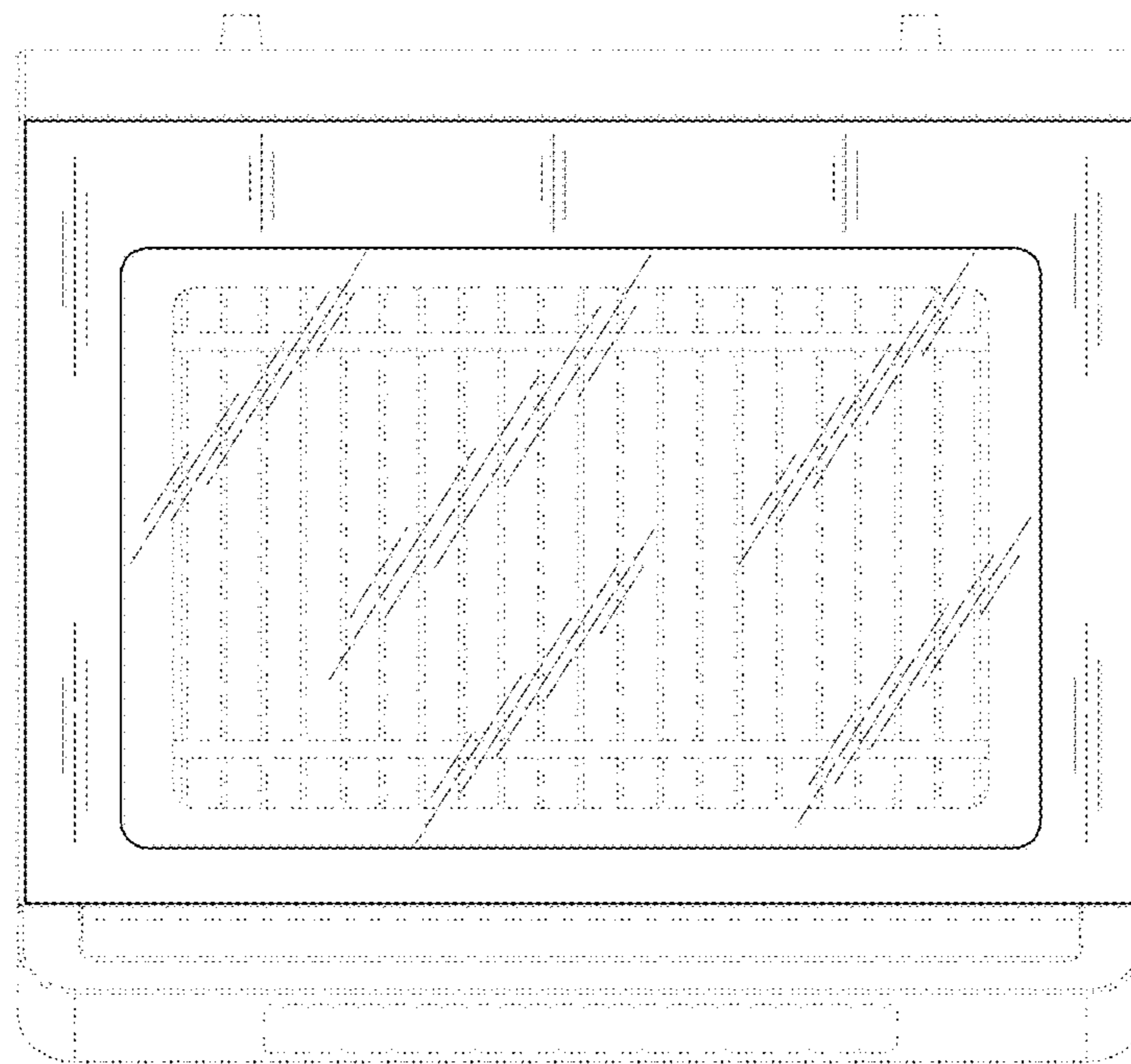


FIG. 7

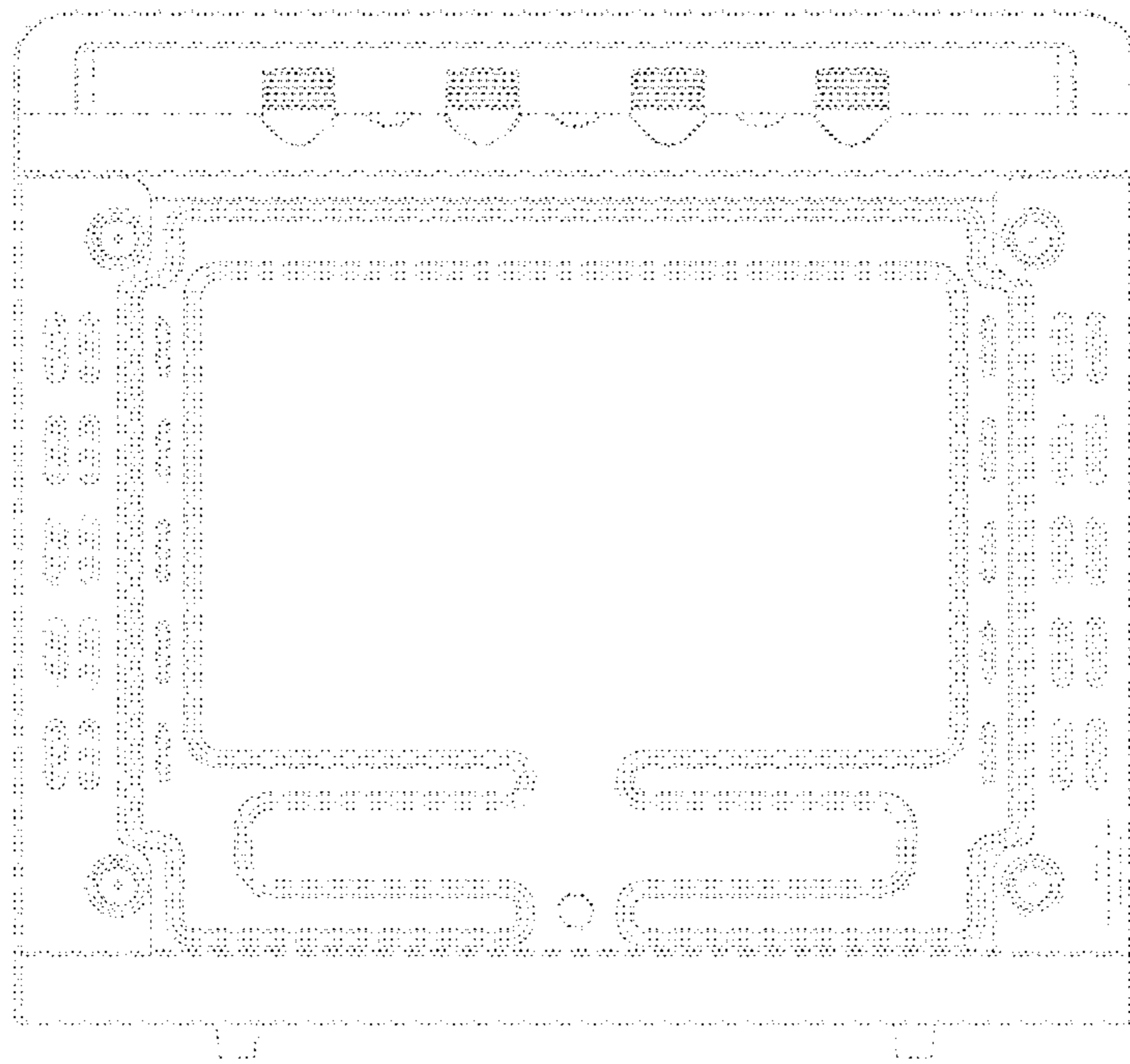


FIG. 8