



(12) **United States Design Patent**
Troxell et al.

(10) **Patent No.:** **US D958,981 S**
(45) **Date of Patent:** **** *Jul. 26, 2022**

- (54) **MARKER ARRAY FOR AN INSTRUMENT FOR USE WITH A SURGICAL ROBOTIC SYSTEM**
- (71) Applicant: **GLOBUS MEDICAL, INC.**, Audubon, PA (US)
- (72) Inventors: **Paden Troxell**, Philadelphia, PA (US); **Andrew Berkowitz**, Philadelphia, PA (US); **Hayden Cameron**, Philadelphia, PA (US)
- (73) Assignee: **Globus Medical Inc.**, Audubon, PA (US)
- (*) Notice: This patent is subject to a terminal disclaimer.
- (**) Term: **15 Years**

D788,915	S	*	6/2017	Kheradpir	D24/140
D806,247	S	*	12/2017	Kheradpir	D24/147
D816,838	S	*	5/2018	Kheradpir	D24/140
D820,984	S	*	6/2018	Kheradpir	D24/140
D823,470	S	*	7/2018	Neubauer	D24/158
D828,561	S	*	9/2018	Kheradpir	D24/147
D838,848	S	*	1/2019	Neubauer	D24/158
D838,849	S	*	1/2019	Neubauer	D24/158
D838,850	S	*	1/2019	Neubauer	D24/158
D838,851	S	*	1/2019	Neubauer	D24/158
D857,892	S	*	8/2019	Crawford	D24/140
D860,446	S	*	9/2019	Crawford	D24/140
D860,447	S	*	9/2019	Crawford	D24/140
D860,448	S	*	9/2019	Crawford	D24/140
D864,389	S	*	10/2019	Crawford	D24/140
D865,172	S	*	10/2019	Crawford	D24/140
D938,586	S	*	12/2021	Schlereth	D24/133
2020/0297435	A1	*	9/2020	Cameron	A61B 90/14
2021/0007811	A1	*	1/2021	Troxell	A61B 34/10

* cited by examiner

Primary Examiner — Bridget L Eland

- (21) Appl. No.: **29/758,095**
- (22) Filed: **Nov. 12, 2020**
- (51) **LOC (13) Cl.** **24-02**
- (52) **U.S. Cl.**
USPC **D24/140**
- (58) **Field of Classification Search**
USPC D24/140, 135, 133
CPC A61B 34/30; A61B 17/02; A61B 17/3423;
A61B 46/10; A61B 90/50; A61B 17/1671; A61B 2034/2055; A61F 2/4611;
A61F 2/4455; A61M 29/00
See application file for complete search history.

(57) **CLAIM**

The ornamental design for a marker array for an instrument for use with a surgical robotic system, as shown and described.

DESCRIPTION

FIG. 1 is a perspective view of a marker array for an instrument for use with a surgical robotic system showing our new design;

FIG. 2 is another prospective view thereof;

FIG. 3 is a top view thereof;

FIG. 4 is a bottom view thereof;

FIG. 5 is a side view thereof;

FIG. 6 is another side view thereof;

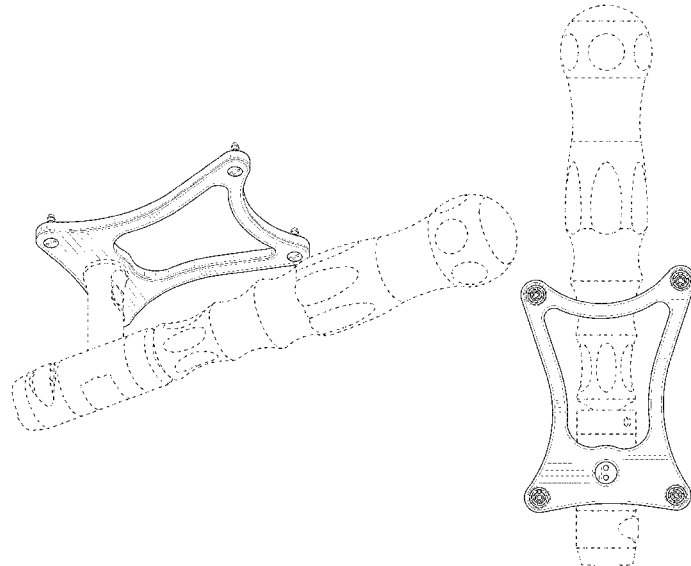
FIG. 7 is a front view thereof; and,

FIG. 8 is a back view thereof.

In the above drawings the broken lines and the areas within the broken lines form no part of the claimed design.

1 Claim, 8 Drawing Sheets

- (56) **References Cited**
U.S. PATENT DOCUMENTS
D420,132 S * 2/2000 Bucholz D24/140
D422,706 S * 4/2000 Bucholz D24/140
D761,428 S * 7/2016 Birkenbach D24/140
D778,441 S * 2/2017 Corrao, Jr. D24/140



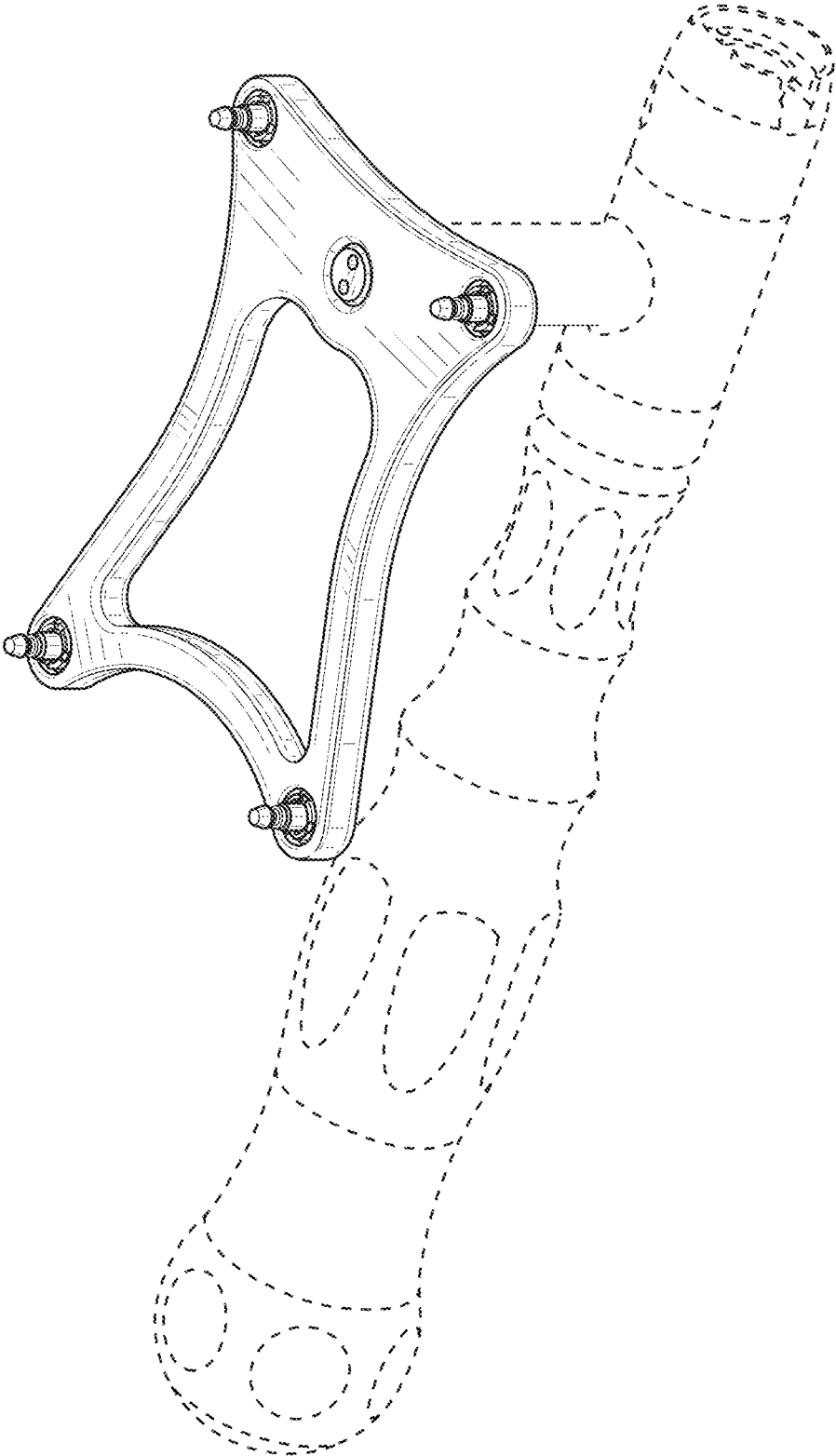


FIG. 1

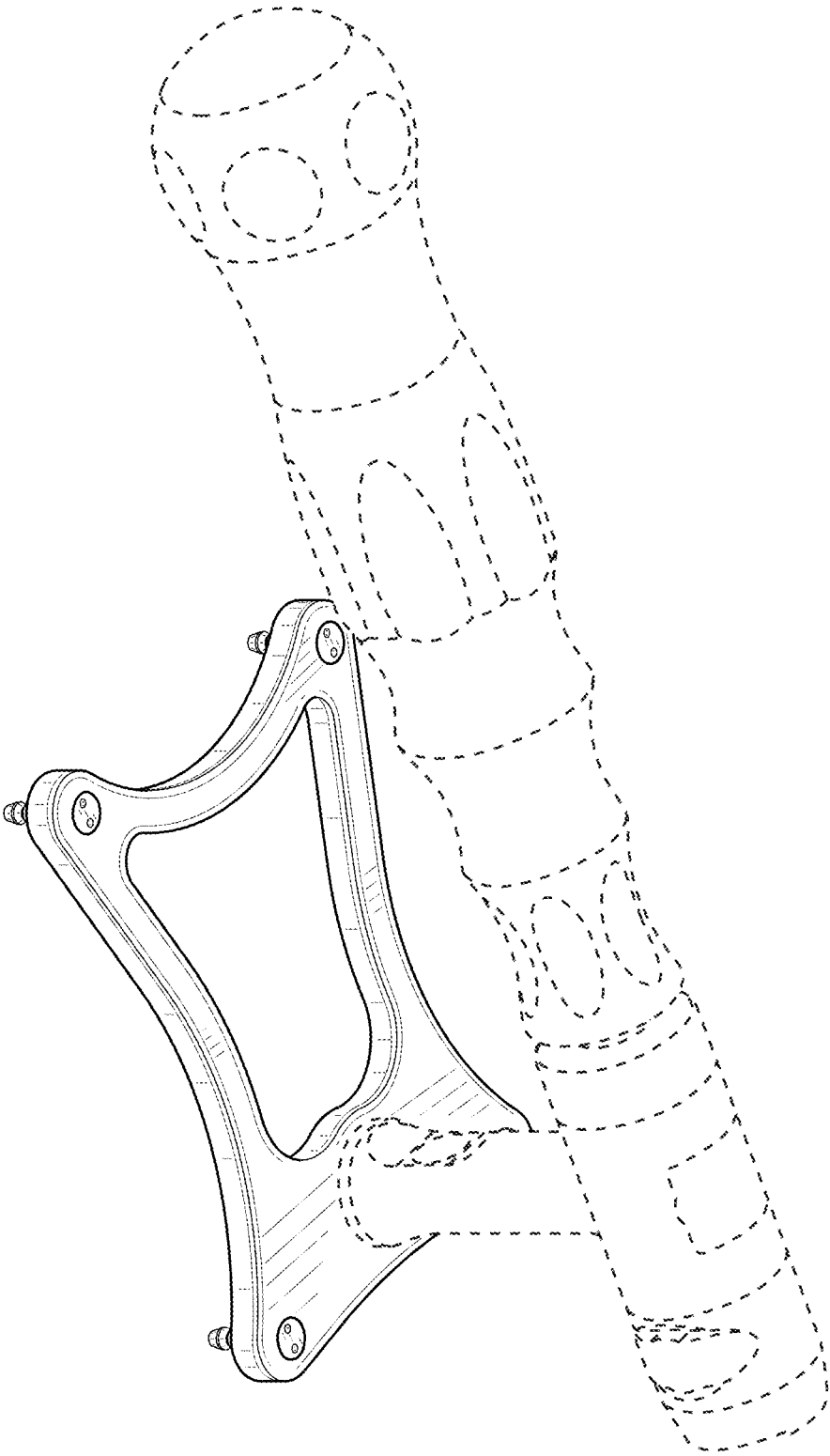


FIG. 2

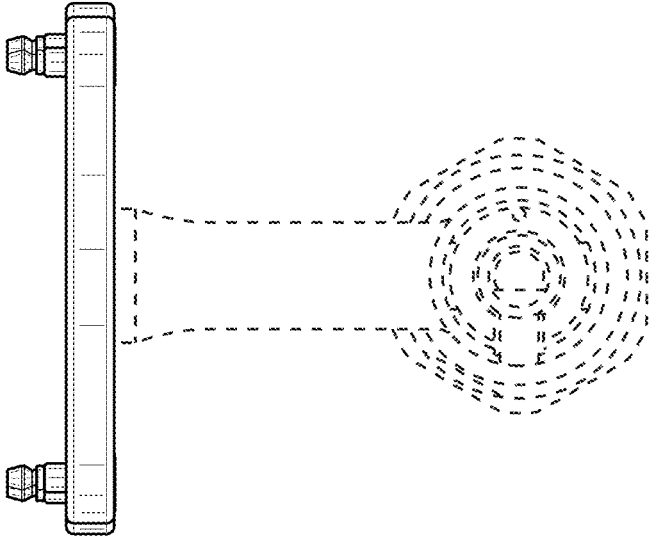


FIG. 3

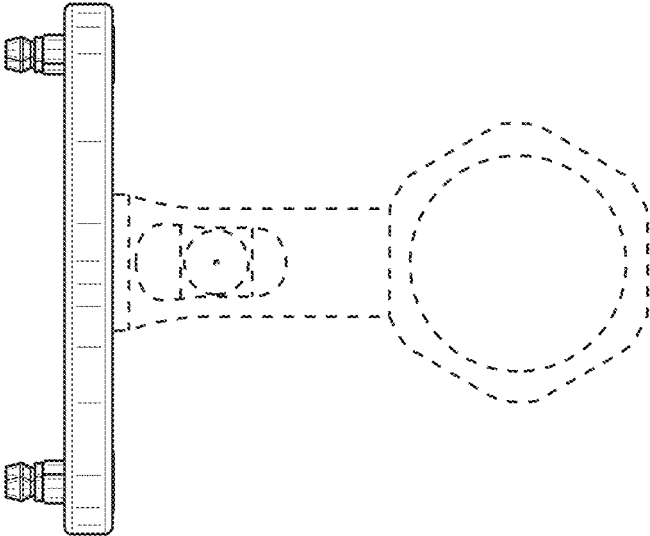


FIG. 4

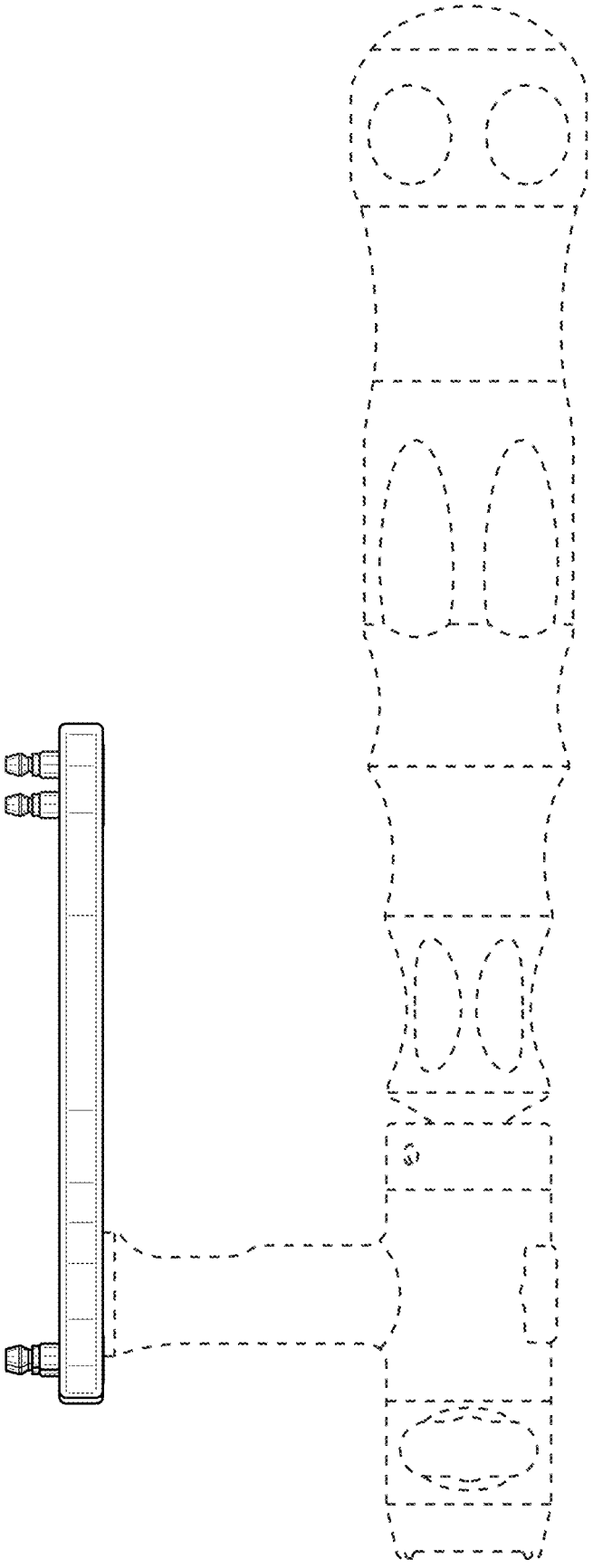


FIG. 5

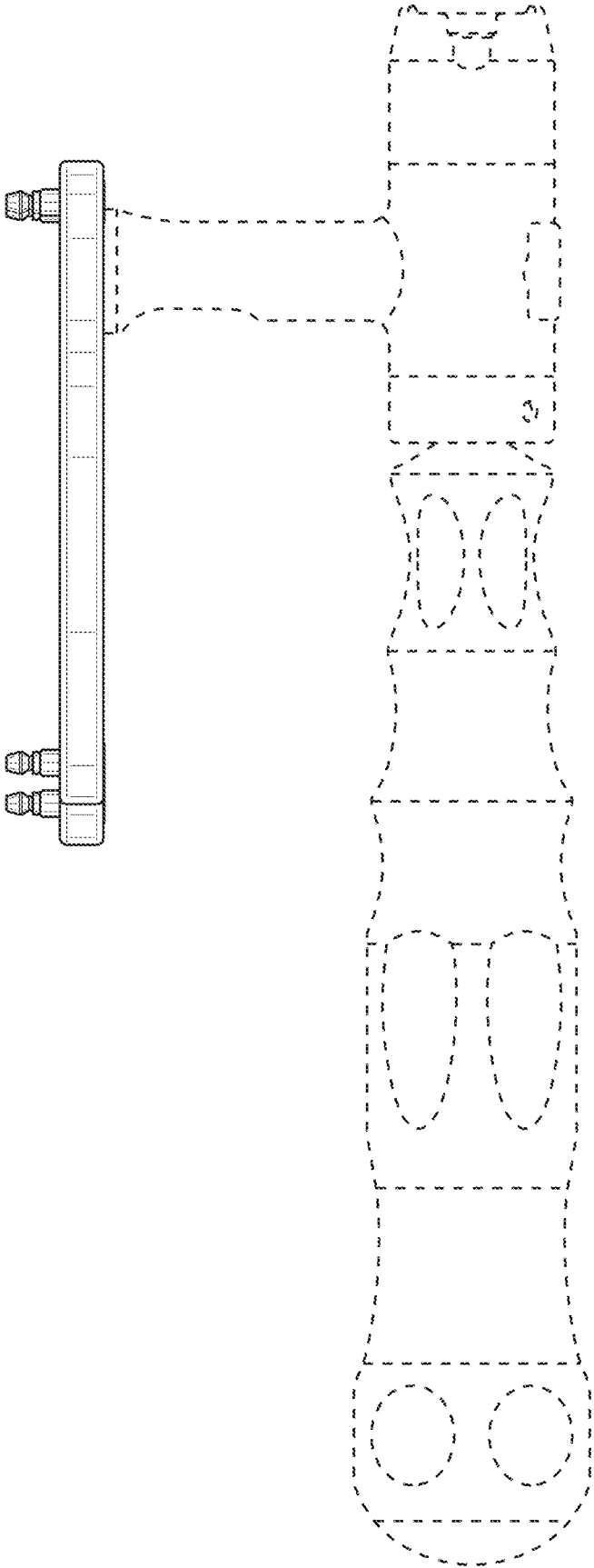


FIG. 6

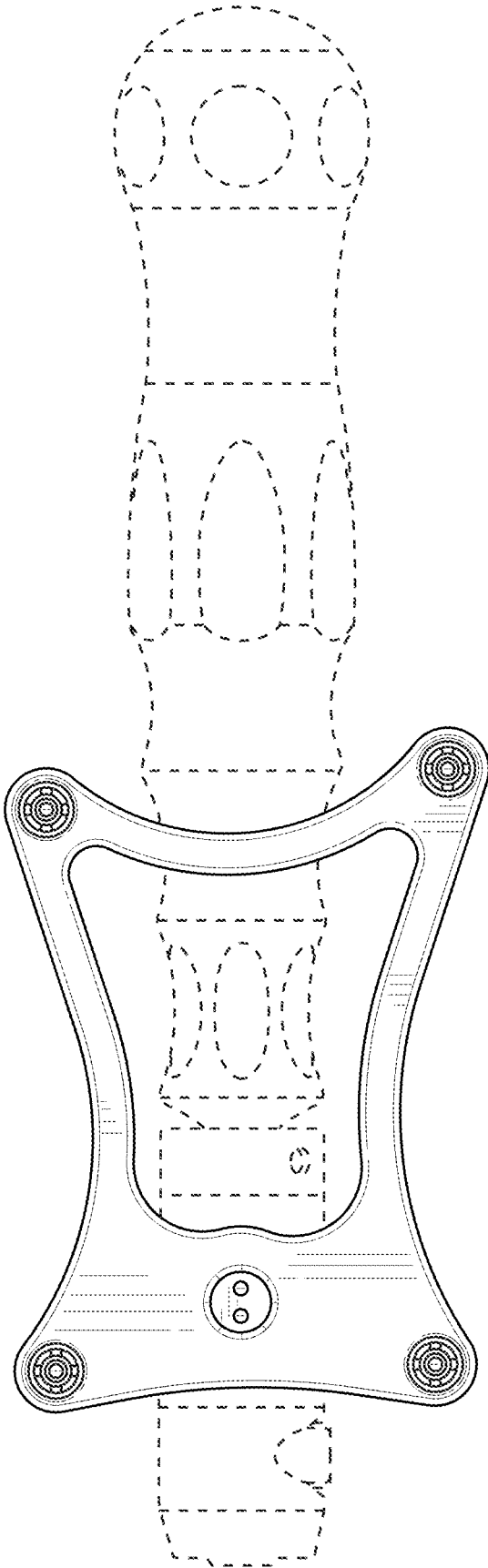


FIG. 7

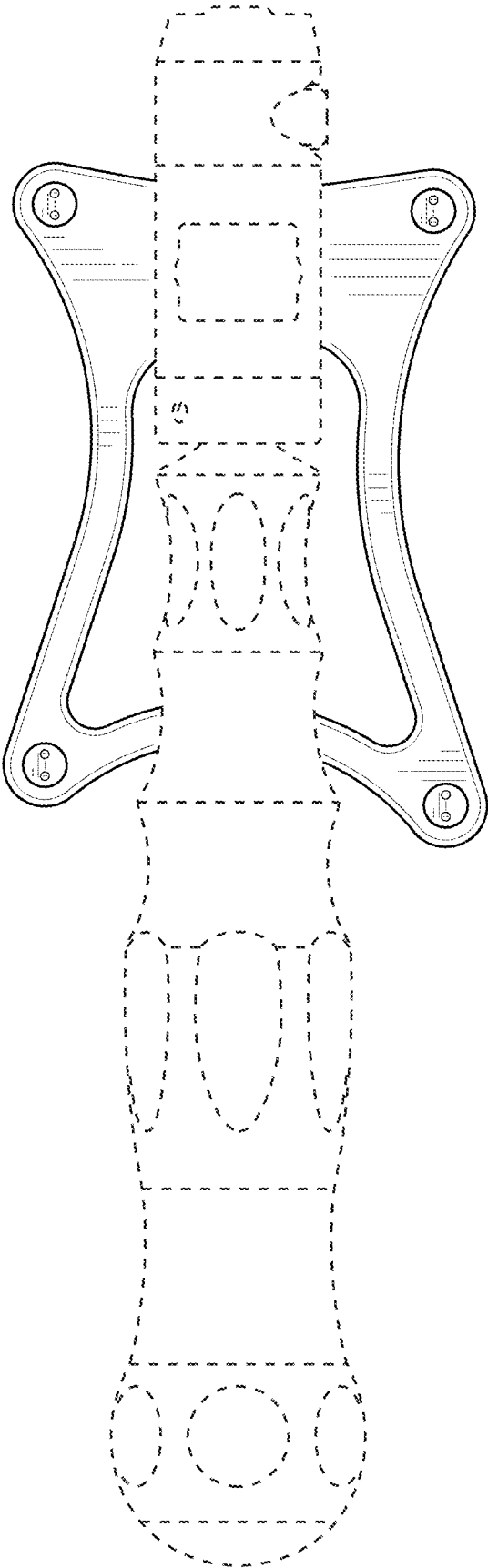


FIG. 8