



US00D464996S

(12) **United States Design Patent**
Hussaini et al.

(10) **Patent No.:** **US D464,996 S**

(45) **Date of Patent:** **** Oct. 29, 2002**

(54) **VIDEO GAME HOLDER**

(75) Inventors: **Saied Hussaini**, Miami, FL (US); **Marc Iacovelli**, Miami, FL (US)

(73) Assignee: **Intec, Inc.**, Miami, FL (US)

(**) Term: **14 Years**

(21) Appl. No.: **29/149,949**

(22) Filed: **Oct. 24, 2001**

(51) **LOC (7) Cl.** **21-01**

(52) **U.S. Cl.** **D21/333**

(58) **Field of Search** D21/324-333,
D21/369, 385; D3/218; 273/148 A, 148 B,
108, 118 R, 123 R, 454; 463/46, 47, 1,
16-22, 49; 345/905, 156; D14/432, 454,
496

(56) **References Cited**

U.S. PATENT DOCUMENTS

| | | | | |
|-------------|---|---------|-------------------|-----------|
| 4,312,507 A | * | 1/1982 | Smith et al. | 273/148 B |
| 4,422,640 A | * | 12/1983 | Tamarkin | 463/47 |
| 4,494,754 A | * | 1/1985 | Wagner, Jr. | 273/148 B |
| 5,046,739 A | * | 9/1991 | Reichow | 273/148 B |
| D321,727 S | * | 11/1991 | Urbanski | D14/454 |
| 5,209,478 A | * | 5/1993 | Simpson | 273/148 B |

| | | | | |
|-------------|---|--------|-----------------------|---------|
| D337,435 S | * | 7/1993 | Kaneko et al. | D3/218 |
| D338,053 S | * | 8/1993 | Underhill et al. | D14/454 |
| 5,295,648 A | * | 3/1994 | Hames | 248/149 |
| D413,937 S | * | 9/1999 | Smith | D21/333 |

* cited by examiner

Primary Examiner—Prabhakar Deshmukh

(74) *Attorney, Agent, or Firm*—Liniak, Berenato, Longacre & White

(57) **CLAIM**

The ornamental design for a video game holder, as shown and described.

DESCRIPTION

FIG. 1 is a top View of the video game holder according to the present invention.

FIG. 2 is a bottom view of the video game holder of FIG. 1. FIG. 3 is a left side view of the video game holder of FIG. 1.

FIG. 4 is a right side view of the video game holder of FIG. 1.

FIG. 5 is a front view of the video game holder of FIG. 1. FIG. 6 is a rear view of the video game holder of FIG. 1; and, FIG. 7 is a front elevational perspective view of the video game holder of FIG. 1.

1 Claim, 4 Drawing Sheets

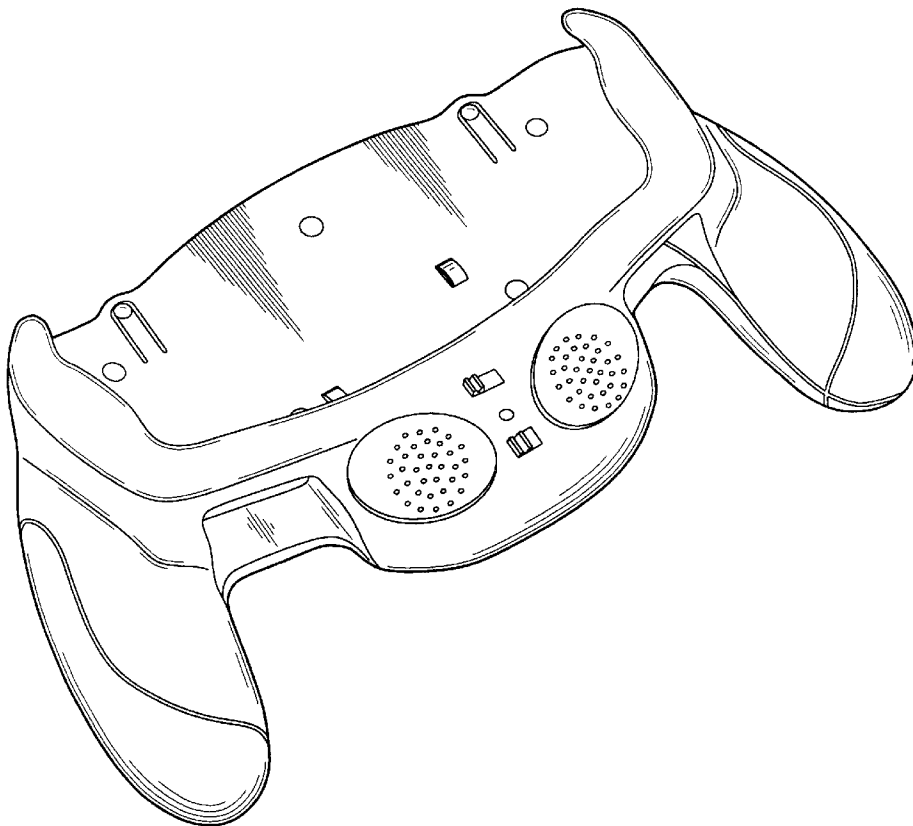


Fig. 1

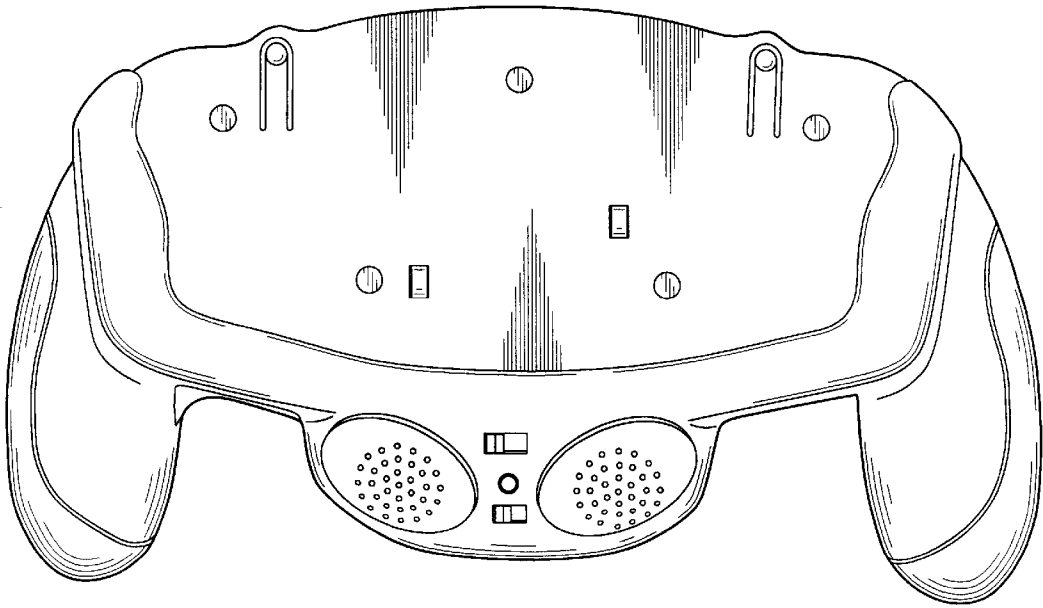


Fig. 2

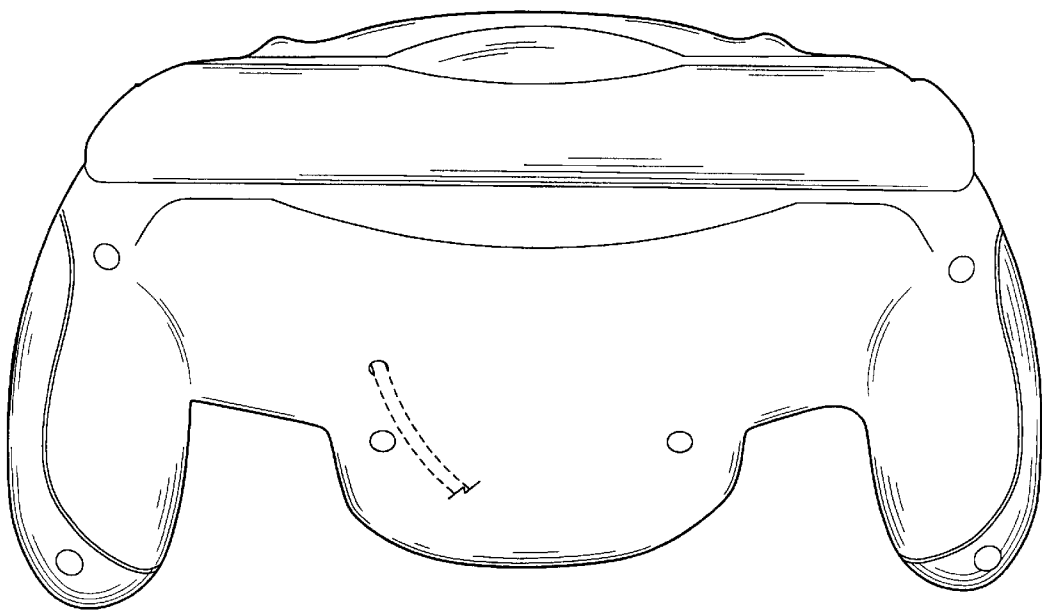


Fig. 3

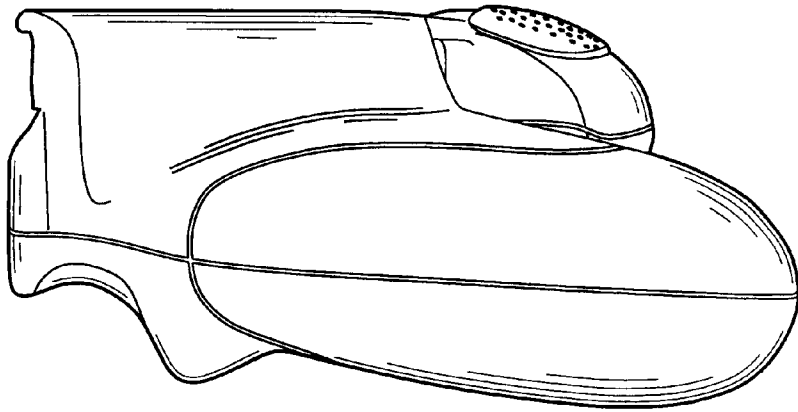


Fig. 4

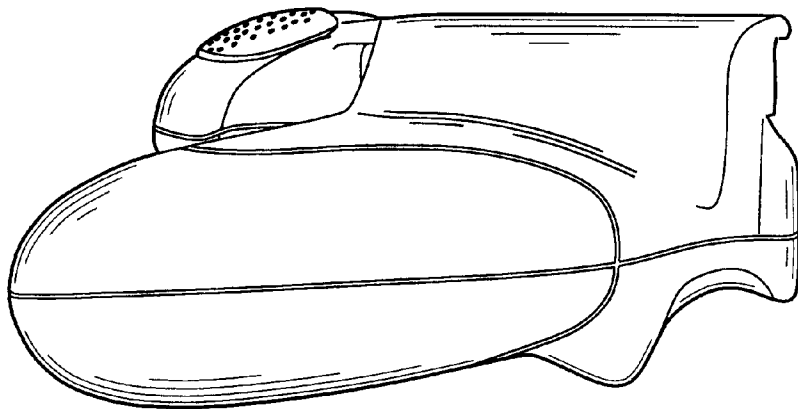


Fig. 5

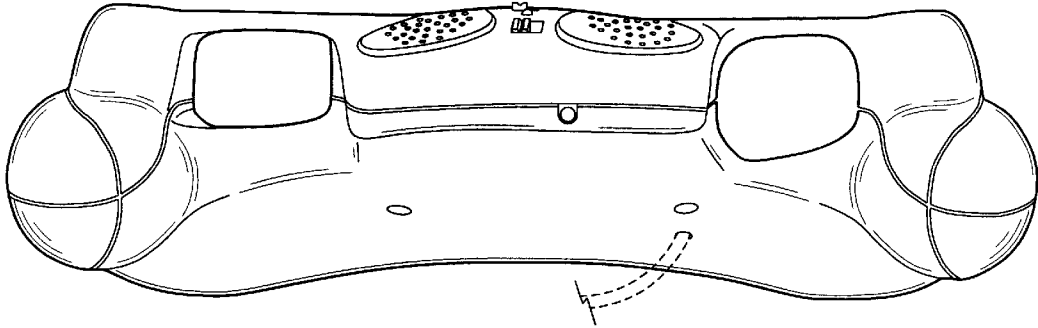


Fig. 6

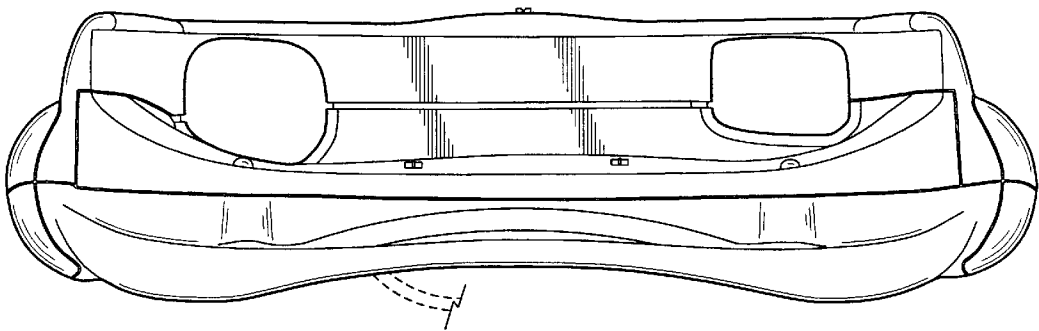


Fig. 7

