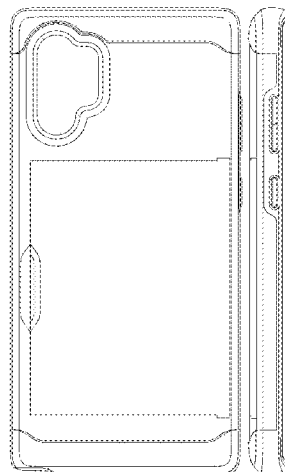




US00D909360S

(12) **United States Design Patent** (10) **Patent No.:** **US D909,360 S**  
**Ahn** (45) **Date of Patent:** **\*\* Feb. 2, 2021**

- (54) **CASE FOR ELECTRONIC COMMUNICATIONS DEVICE** 8,726,952 B2 5/2014 Jambunathan et al.  
D707,965 S 7/2014 Requa  
D712,891 S 9/2014 Fathollahi  
D716,045 S 10/2014 Requa
- (71) Applicant: **SPIGEN KOREA CO., LTD.**, Seoul (KR) D721,689 S \* 1/2015 Altschul ..... H04B 1/3888 D14/250
- (72) Inventor: **Deok Hyun Ahn**, Seoul (KR) D725,643 S 3/2015 Lee et al.  
8,971,975 B2 3/2015 Ramies et al.  
9,049,283 B1 6/2015 Kim
- (73) Assignee: **SPIGEN KOREA CO., LTD.**, Seoul (KR) D741,845 S 10/2015 Kim  
D743,931 S 11/2015 Hubbard et al.  
D746,805 S 1/2016 Kim
- (\*\*) Term: **15 Years** 9,241,551 B2 1/2016 Lawson et al.  
D749,068 S 2/2016 Zaborski et al.  
D749,557 S 2/2016 Feng  
D753,099 S 4/2016 Kim  
D756,343 S 5/2016 Wall et al.  
D756,911 S 5/2016 Gupta et al.  
D759,004 S \* 6/2016 Stevinson ..... D14/250  
D759,966 S 6/2016 Pignotti  
D763,842 S 8/2016 Chang et al.  
D765,069 S 8/2016 Jeffrey  
D765,635 S 9/2016 Chang et al.  
D765,638 S 9/2016 Gaylord et al.  
D765,640 S 9/2016 Bulkley et al.  
D765,641 S 9/2016 Bulkley et al.  
D771,607 S 11/2016 Kim  
D771,608 S 11/2016 Kim et al.  
D772,209 S 11/2016 Kim et al.  
D775,620 S 1/2017 Kim  
D776,646 S 1/2017 Deng  
D776,648 S 1/2017 Kim  
D780,163 S 2/2017 Fathollahi  
D780,164 S 2/2017 Lee  
D781,835 S 3/2017 Kim et al.  
D786,233 S 5/2017 Kim  
D788,093 S 5/2017 Lee et al.  
9,661,116 B1 \* 5/2017 Chung ..... A45C 11/00  
D788,760 S 6/2017 Kim  
D789,343 S 6/2017 Hawes et al.  
D791,116 S 7/2017 Kim  
D796,497 S 9/2017 Kim  
D797,092 S 9/2017 To et al.  
D797,093 S 9/2017 To et al.  
D798,286 S 9/2017 Roberts et al.  
D800,713 S \* 10/2017 Kim ..... D14/250  
D800,714 S 10/2017 Lee et al.  
D801,323 S 10/2017 Kim  
D802,574 S 11/2017 Kim  
D807,338 S 1/2018 Kim  
D808,944 S 1/2018 Kim  
D813,856 S \* 3/2018 Daubmeier ..... D14/250  
D819,013 S 5/2018 Kim et al.
- (21) Appl. No.: **29/700,604**
- (22) Filed: **Aug. 2, 2019**
- (51) **LOC (13) Cl.** ..... **14-03**
- (52) **U.S. Cl.**  
USPC ..... **D14/250**
- (58) **Field of Classification Search**  
USPC ..... D14/440, 203.3–203.7, 439, 238.1,  
D14/251–253, 447, 217, 240, 248, 250;  
D3/201, 218, 247, 269, 273, 301, 303;  
D13/103, 119, 107–108  
CPC ..... H04B 1/3888; H04M 1/0283; H04M  
1/0202; A45C 1/06; A45C 11/00; A45C  
13/02; A45C 2011/002; A45F 2005/026;  
A45F 2200/0525; A45F 2200/0516  
See application file for complete search history.
- (56) **References Cited**  
**U.S. PATENT DOCUMENTS**
- D619,361 S 7/2010 Andre et al.  
D624,064 S \* 9/2010 Esposito ..... D14/250  
D631,246 S \* 1/2011 Boettner ..... D3/203.2  
D646,265 S 10/2011 Fathollahi  
D650,371 S 12/2011 Wibby et al.  
D663,263 S 7/2012 Gupta et al.  
D681,615 S 5/2013 Fathollahi  
D682,196 S 5/2013 Leung  
D688,654 S \* 8/2013 Stevinson ..... D14/250  
8,504,127 B2 8/2013 Altschul et al.  
8,517,172 B1 8/2013 Chang  
D703,651 S \* 4/2014 Ehrlich ..... D14/250  
D705,764 S \* 5/2014 Thoni ..... D14/250



|              |      |         |             |                          |
|--------------|------|---------|-------------|--------------------------|
| D820,819     | S    | 6/2018  | Kim         |                          |
| D824,892     | S *  | 8/2018  | Altschul    | D14/250                  |
| D827,629     | S    | 9/2018  | Yu          |                          |
| D828,346     | S *  | 9/2018  | Kim         | D14/250                  |
| D830,352     | S    | 10/2018 | Chung       |                          |
| D832,833     | S    | 11/2018 | Kim         |                          |
| D833,426     | S *  | 11/2018 | Yun         | D14/250                  |
| D834,010     | S *  | 11/2018 | Kim         | D14/250                  |
| D836,096     | S *  | 12/2018 | Altschul    | D14/250                  |
| D837,774     | S *  | 1/2019  | Koo         | D14/250                  |
| D849,733     | S *  | 5/2019  | Yun         | D14/250                  |
| D849,738     | S *  | 5/2019  | Yun         | D14/250                  |
| D850,434     | S *  | 6/2019  | Yun         | D14/250                  |
| D850,435     | S *  | 6/2019  | Yun         | D14/250                  |
| 2015/0141082 | A1 * | 5/2015  | Ehrlich     | H04B 1/3888<br>455/575.1 |
| 2015/0244407 | A1 * | 8/2015  | Peral       | H04B 1/3888<br>455/575.8 |
| 2015/0365122 | A1 * | 12/2015 | Kim         | H04M 1/21<br>455/575.8   |
| 2016/0173160 | A1 * | 6/2016  | Gronewoller | H04M 1/185<br>455/575.8  |
| 2016/0269516 | A1 * | 9/2016  | Kim         | H04M 1/04                |
| 2017/0086557 | A1 * | 3/2017  | Choi        | A45C 15/00               |

OTHER PUBLICATIONS

“Spigen Slim Armor CS Galaxy S7 Case with Slim Dual Layer Wallet Design and Card Slot Holder for Samsung Galaxy S7 2016—Gunmetal”, <https://www.amazon.com/dp/B01AUR1HF4>, Earliest review date of Mar. 12, 2016.

“Spigen Slim Armor CS Galaxy S7 Edge Case with Slim Dual Layer Wallet Design and Card Slot Holder for Galaxy S7 Edge 2016—Gunmetal”, <https://www.amazon.com/dp/B01CTRI5VM>, Earliest review date of Apr. 22, 2016.

“iPhone 7 Plus Case, Spigen® [Slim Armor CS] Card Holder [Gunmetal] Slim Fit Dual Layer Protective with Card Slot Holder Wallet Case for iPhone 7 Plus (2016)—(043CS20526)”, <https://www.amazon.com/dp/B01G1WFO6>, Date first available at Amazon.co.uk of Aug. 2, 2016, Downloaded on Aug. 23, 2018.

“VRS Design Damda Glide Samsung Galaxy Note 7 Case—Blue Coral”, <https://www.mobilefun.com/vrs-design-lamda-glide-samsung-galaxy-note-7-case-blue-coral-60422>, Earliest review date of Sep. 9, 2016.

“Galaxy S7 Edge Case Damda Glide Series”, <https://vrsdesign.com/products/damda-glide-series-galaxy-s7-edge-case>, Earliest review posted on 2016, Downloaded on Dec. 17, 2018.

“Galaxy S7 Case, VRS Design [Damda Glide Series] Semi Automatic Card Slot with Military Grade Protection (Safin Silver)”, <https://www.amazon.com/dp/B01LWRTPW>, Earliest review date of Nov. 8, 2016.

“iPhone 6 Plus/6s Plus Case Damda Glide Series”, <https://vrsdesign.com/products/iphone-6-plus-6s-plus-damda-glide-series>, Earliest review posted on 2016, Downloaded on Dec. 18, 2018.

“iPhone 7 Plus 18 Plus Case, VRS Design [Damda Glide Series] Semi Automatic Card Slot with Military Grade Protection (Steel Silver)”, <https://www.amazon.com/DP/B01LYOIRRH>, Earliest review date of Oct. 18, 2016.

“VRS Design [Damda Glide Series] Semi Automatic Card Slot Shockproof Case Compatible with Apple iPhone 7 / 8—(Steel Silver)”, <https://www.amazon.com/dp/B01LXD3F6L>, Earliest review date of Oct. 11, 2016.

“iPhone 6/6s Case Damda Glide Series”, <https://vrsdesign.com/products/damda-glide-series-2>, Earliest review posted Dn 2016, Downloaded on Dec. 17, 2018.

“VRS Design unveils semi-automatic Damda Glide cases for the Samsung Galaxy Note 7”, <https://www.pmevswire.com/news-releases/vrs-design-unveils-semi-automatic-damda-glide-cases-for-the-samsung-galaxy-note-7-300299529.html>, Published on Jul. 18, 2016.

“Galaxy Note 7 Case Preview from VRS Design: Damda Glide Case!”, <https://www.youtube.com/watch?i=3aoPDXLbrRk>, Published on Aug. 1, 2016.

“iPhone 6 Case, Verus [Damda Slide][Dark Silver]-[Wallet Card Slot][Heavy Duty Protection] for Apple iPhone 6 4.7”, <https://www.amazon.com/dp/B01E02PE10>, Earliest review date of May 24, 2016.

“Galaxy Note 4 Case, Verus [Damda Slide][Dark Silver]-[Wallet Card Slot][Heavy Duty Protection] for Samsung Note 1”, <https://www.amazon.com/dp/BOOMJEfilOG>, Earliest review date of Oct. 18, 2014.

“Galaxy Note 5 Case, Verus [Damda Slide][Dark Silver]-[Wallet Card Slot][Heavy Duty Protection] for Samsung Note 5”, <https://www.amazon.com/dp/B00VN6E8KS>, Earliest review date of Aug. 24, 2015.

“Galaxy S6 Edge Case, Verus [Damda Slide][Dark Saved-[Wallet Card Slot][Heavy Duty Protection] for Samsung galaxy s6 edge”, <https://www.amazon.com/dp/Booumitem>, Earliest review date of Apr. 2, 2015.

“Galaxy S6 Edge Plus Case, Verus [Damda Slide][Dark Silver]-[Wallet Card Slot][Heavy Duty Protection] for Samsung galaxy s6 plus”, <https://www.amazon.com/dp/B013F8CLK0>, Earliest review date of Aug. 29, 2015.

“iPhone 6 Plus Case, Verus [Damda Slide][Dark Silver]-[Wallet Card Slot][Heavy Duty] for Apple iPhone 6 Plus 5.5”, <https://www.amazon.com/dp/B01E02P5H2>, Earliest review date of May 26, 2016.

“iPhone 6S Case, Verus [Damda Slide][Dark Silver]-[Wallet Card Slot][Heavy Duty Protection] for Apple iPhone 6 6s 1.7”, <https://www.amazon.com/dp/B00M9UBQ2A>, Earliest review date of Sep. 16, 2014.

“iPhone 6S Plus Case, Verus [Damda Slide][Dark Silver]-[Wallet Card Slot][Heavy Duty] for Apple iPhone 6 6s Plus 5.5”, <https://www.amazon.com/dp/B00NHZZIZY>, Earliest review date of Oct. 5, 2014.

“Spigen Slim Armor CS iPhone 6 Case with Slim Dual Layer Wallet Design and Card Slot Holder for iPhone 6S / iPhone 6—CS Gunmetal”, <https://www.amazon.com/Spigen-iPhone-Wallet-Design-Holder/dp/B00JH88JDQ>, Earliest review date of Sep. 10, 2014, Downloaded on Jan. 16, 2019.

“Spigen Slim Armor CS iPhone 7 Case/iPhone 8 Case with Slim Dual Layer Wallet Design and Card Slot Holder for Apple iPhone 7 (2016) / iPhone 8 (2017)—Gunmetal”, <https://www.amazon.com/dp/B01GIVWS2C>, Earliest review date of Aug. 29, 2016, Downloaded on Sep. 5, 2018.

“Spigen Slim Armor CS iPhone 8 Plus Case/iPhone 7 Plus Case with Slim Dual Layer Wallet Design and Card Slot Holder for Apple iPhone 8 Plus 2017 iPhone 7 Plus (2016)—Black”, <https://www.amazon.com/dp/B01GIWVFWK>, Earliest review date of Sep. 9, 2016, Downloaded on Sep. 5, 2018.

“Spigen Crystal Wallet iPhone 7/iPhone 8 Case with Slim Dual Layer Wallet Design and Card Slot Holder for Apple iPhone 7 (2016) / iPhone 8 (2017)—Jet White”, <https://www.amazon.com/dp/B01N3NIBON>, Earliest review date of Mar. 30, 2017, Downloaded on Sep. 5, 2018.

“Spigen Slim Armor CS Galaxy S8 Plus Case with Slim Dual Layer Wallet Design and Card Slot Holder for Galaxy S8 Plus (2017)—Rose Gold”, <https://www.amazon.com/Spigen-Galaxy-Wallet-Design-Holder/dp/B06XNW4YD8>, Earliest review date of Apr. 3, 2017, Downloaded on Jan. 16, 2019.

“Spigen Slim Armor CS Galaxy S8 Case with Slim Dual Layer Wallet Design and Card Slot Holder for Samsung Galaxy S8 (2017)—Gunmetal”, <https://www.amazon.com/Spigen-Galaxy-Wallet-Design-Samsung/dp/B06XP51T59>, Earliest review date of Apr. 7, 2017, Downloaded on Sep. 5, 2018.

“Spigen Slim Armor CS Galaxy Note 8 Case with Slim Dual Layer Wallet Design and Card Slot Holder for Galaxy Note 3 (2017)—Black”, <https://www.amazon.com/Spigen-Galaxy-Wallet-Design-Holder/dp/B073RWKCQ8>, Earliest review late of Sep. 1, 2017, Downloaded on Sep. 5, 2018.

“Spigen Slim Armor CS Designed for Apple iPhone Xs Case (2018) / Designed for Apple iPhone X Case (2017) Black”, <https://www.amazon.com/Spigen-Armor-Designed-Apple-iPhone/dp/B074CNGG4N>, Earliest review date of Sep. 25, 2017, Downloaded on Jan. 16, 2019.

“Spigen Slim Armor CS Google Pixel 2 Case with Slim Dual Layer Wallet Design and Card Slot Holder for Google Pixel 2 (2017)—Black”, <https://www.amazon.com/Spigen-Google-Wallet-Design-Holder/dp/B07474KKY2>, Earliest review late of Nov. 24, 2017, Downloaded on Jan. 16, 2019.

“Spigen Slim Armor CS Google Pixel 2 XL Case with Slim Dual Layer Wallet Design and Card Slot Holder for Google Pixel 2 XL (2017)—Black”, <https://www.amazon.com/Spigen-Google-Wallet-Design-Holder/dp/B07473W4ZK>, Earliest review date of Nov. 25, 2017, Downloaded on Jan. 16, 2019.

“Spigen Slim Armor CS Galaxy S9 Plus Case with Slim Dual Layer Wallet Design and Card Slot Holder for Samsung Galaxy S9 Plus (2018)—Gunmetal”, <https://www.amazon.com/Spigen-Galaxy-Wallet-Design-Samsung/dp/B0789SXD7W>, Earliest review date of Mar. 6, 2018, Downloaded on Jan. 16, 2019.

“Spigen Slim Armor CS [Updated Version] Galaxy S9 Case with Slim Dual Layer Wallet Design and Card Slot Holder for Samsung Galaxy S9 (2018)—Gunmetal”, <https://www.amazon.com/Spigen-Updated-Version-Galaxy-Samsung/dp/B07BZHN92K>, Earliest review date of May 18, 2018, Downloaded on Jan. 16, 2019.

“Spigen Slim Armor CS Series Dual Layer Hard Case for Galaxy S6—White/Black”, <https://www.amazon.com/Spigen-Slim-Armor-Layer-Galaxy/dp/B07BCK59YV>, Earliest review date of May 25, 2018, Downloaded on Jan. 16, 2019.

\* cited by examiner

*Primary Examiner* — Carla J Wright  
(74) *Attorney, Agent, or Firm* — Heedong Chae; Lucem, PC

(57) **CLAIM**

The ornamental design for a case for electronic communications device, as shown and described.

**DESCRIPTION**

FIG. 1 is a front perspective view of the case for electronic communications device showing my new design;

FIG. 2 is a rear perspective view thereof;

FIG. 3 is a front elevational view thereof;

FIG. 4 is a rear elevational view thereof;

FIG. 5 is a left side elevational view thereof;

FIG. 6 is a right side elevational view thereof;

FIG. 7 is a top plan view thereof;

FIG. 8 is a bottom plan view thereof;

FIG. 9 is a rear perspective view thereof showing the rear compartment cover component of the case in an open position;

FIG. 10 is a front perspective view of the inner shell component of the case shown separately for clarity of disclosure;

FIG. 11 is a rear perspective view of the inner shell component of the case shown separately for clarity of disclosure;

FIG. 12 is a front perspective view of the outer frame component of the case shown separately for clarity of disclosure;

FIG. 13 is a rear perspective view of the outer frame component of the case shown separately for clarity of disclosure;

FIG. 14 is a front perspective view showing the rear compartment cover component of the case in isolation for clarity of disclosure;

FIG. 15 is a rear perspective view showing the rear compartment cover component of the case in isolation for clarity of disclosure;

FIG. 16 is an exploded front perspective view showing the components of the case separated for clarity of disclosure; and,

FIG. 17 is an exploded rear perspective view showing the components of the case separated for clarity of disclosure.

For clarity of disclosure, the components of the case for electronic communications device are shown in isolation in FIGS. 10-15 and separated in FIGS. 16-17. Although the case for electronic communications device, in which the claimed design is embodied, has an inner shell component, outer frame component, and rear compartment cover component, the claim is directed to the overall ornamental appearance of the case in its entirety and does not extend to the ornamental appearance of each of the individual components.

**1 Claim, 17 Drawing Sheets**

FIG. 1

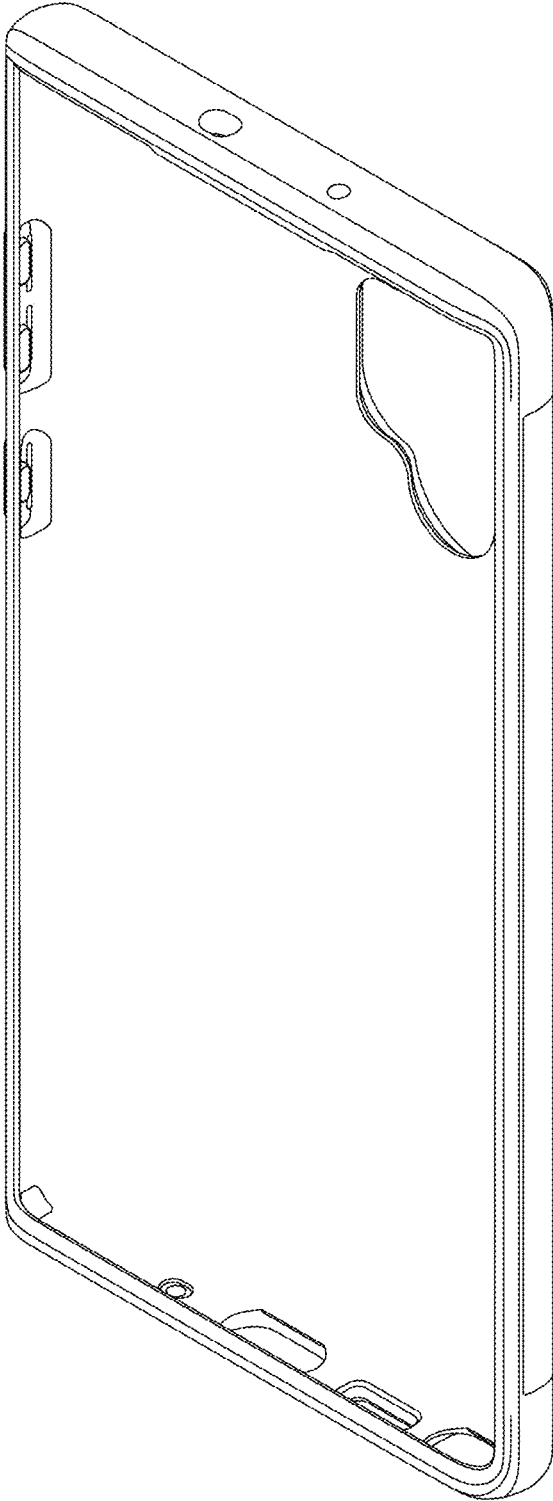


FIG. 2

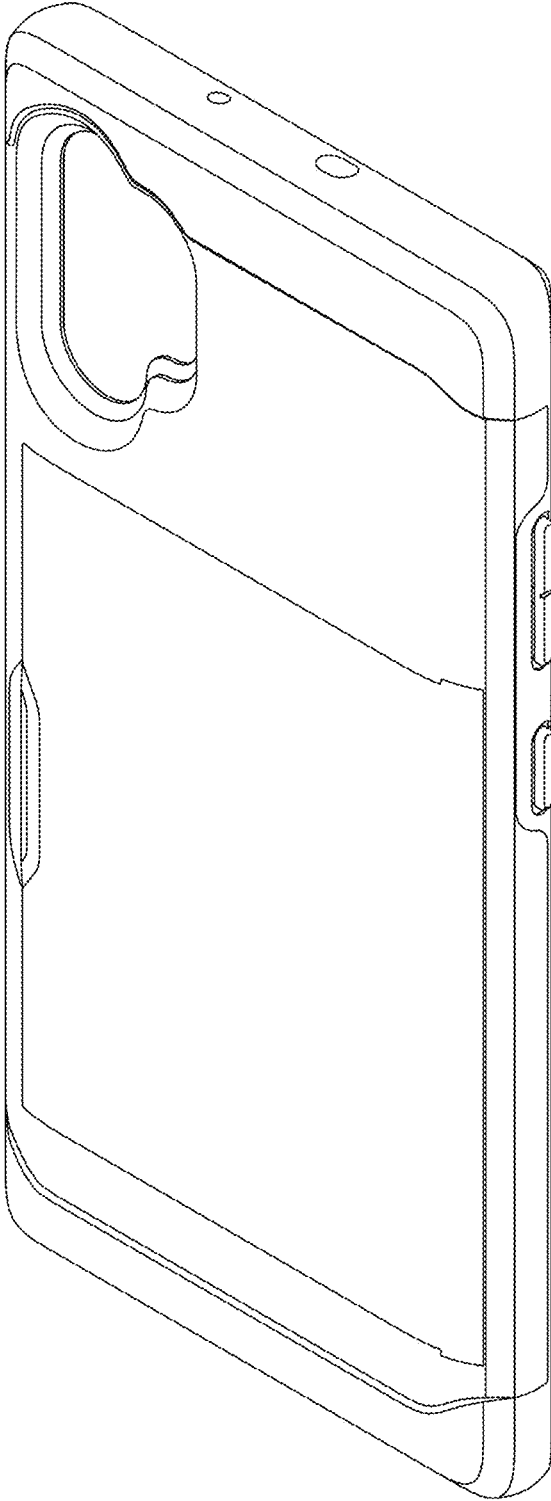


FIG. 3

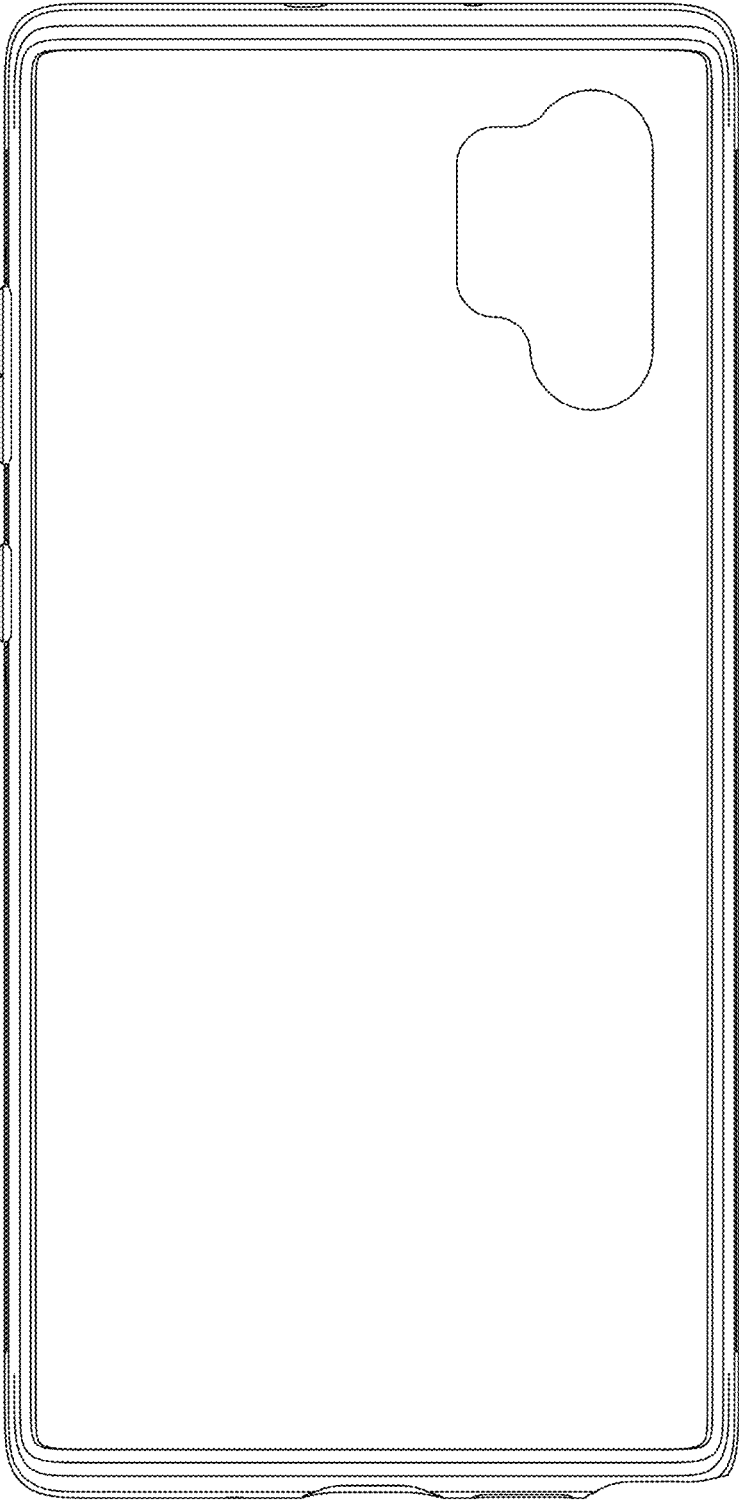


FIG. 4

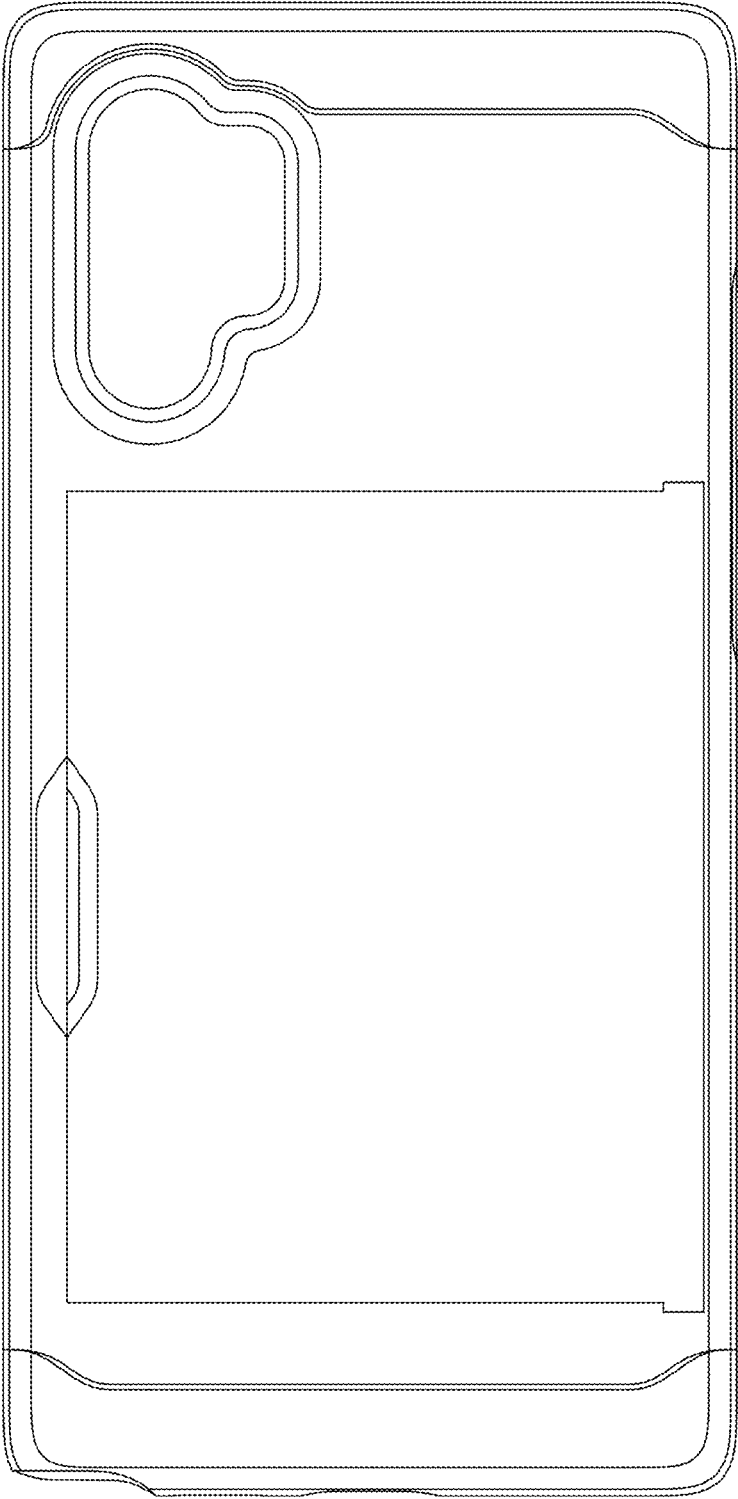


FIG. 5

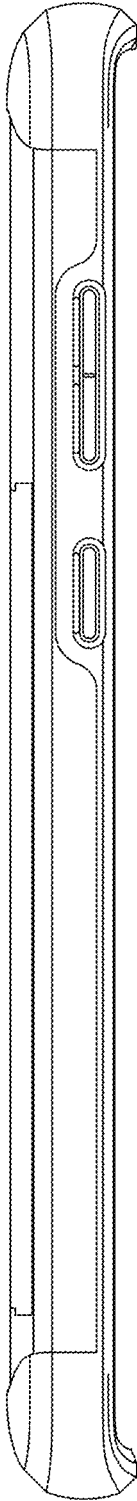




FIG. 6

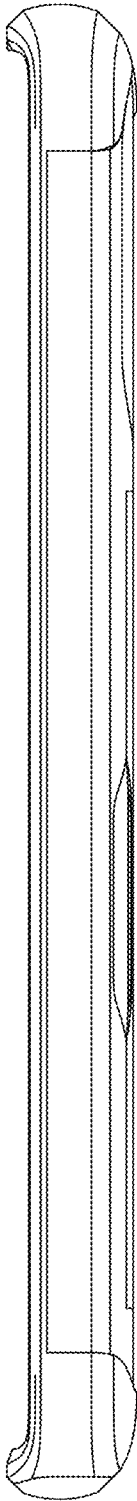


FIG. 7

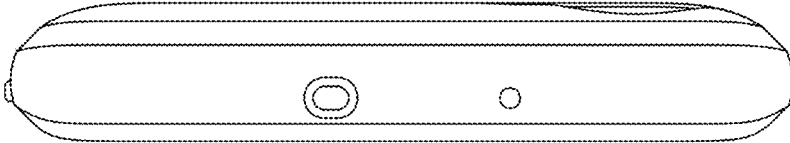


FIG. 8

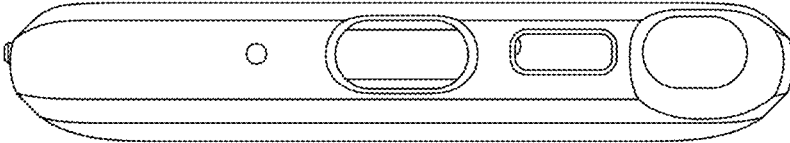


FIG. 9

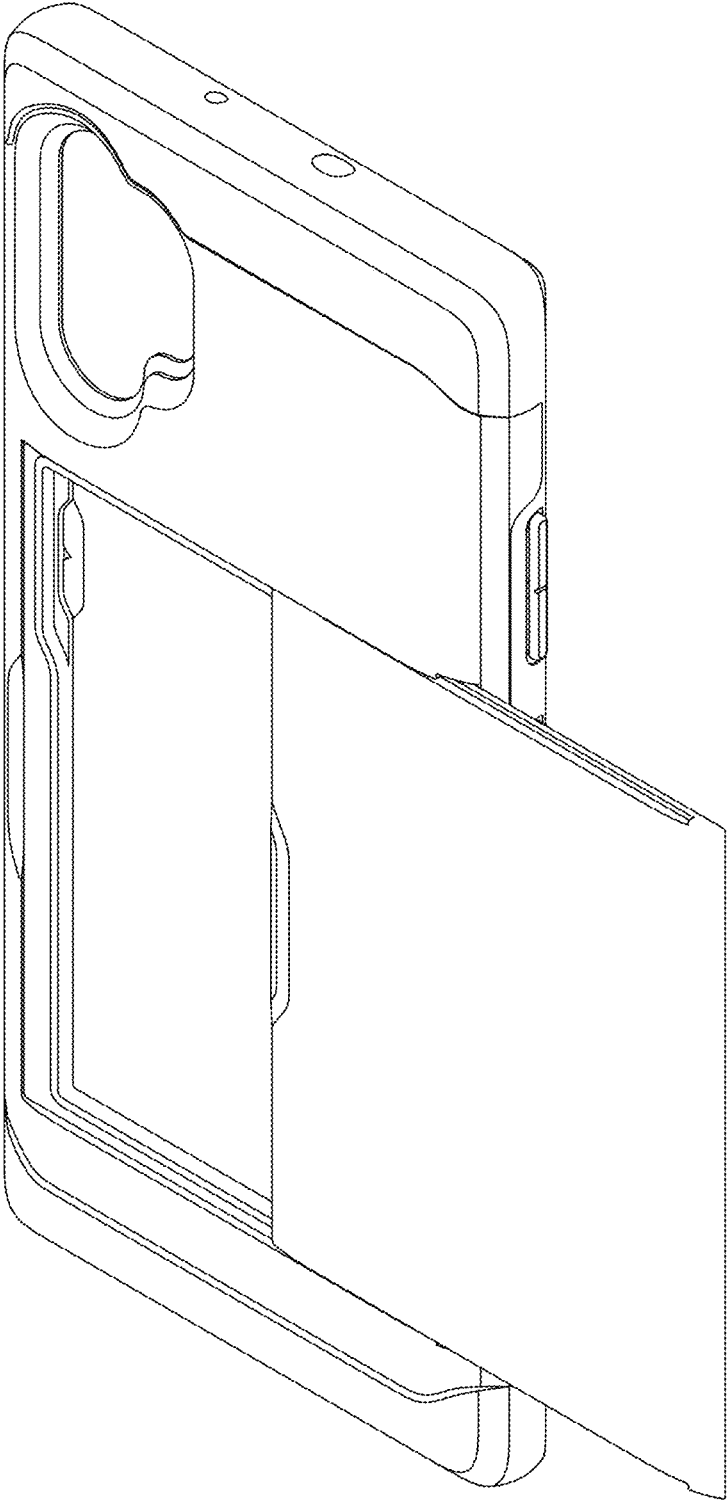


FIG. 10

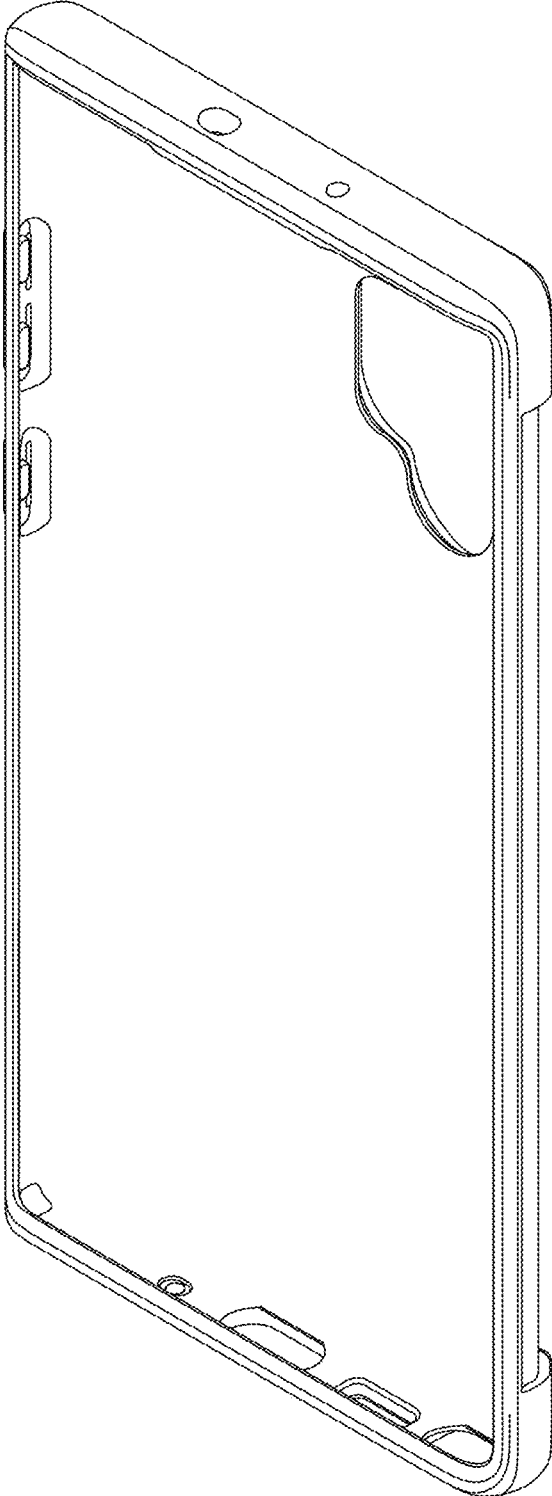


FIG. 11

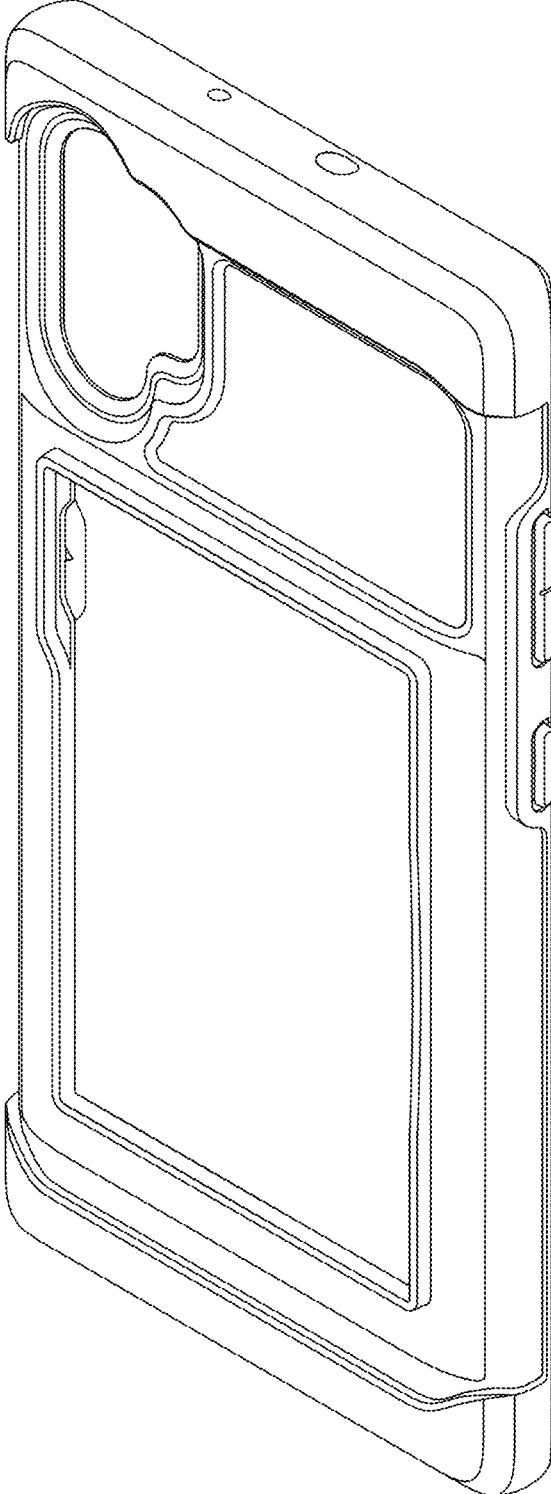


FIG. 12

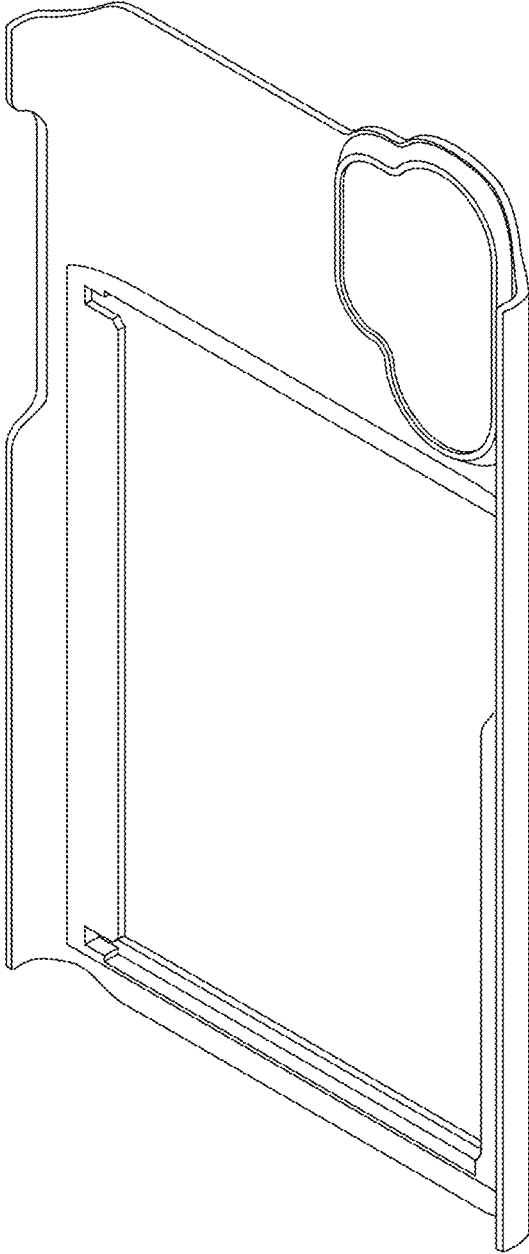


FIG. 13

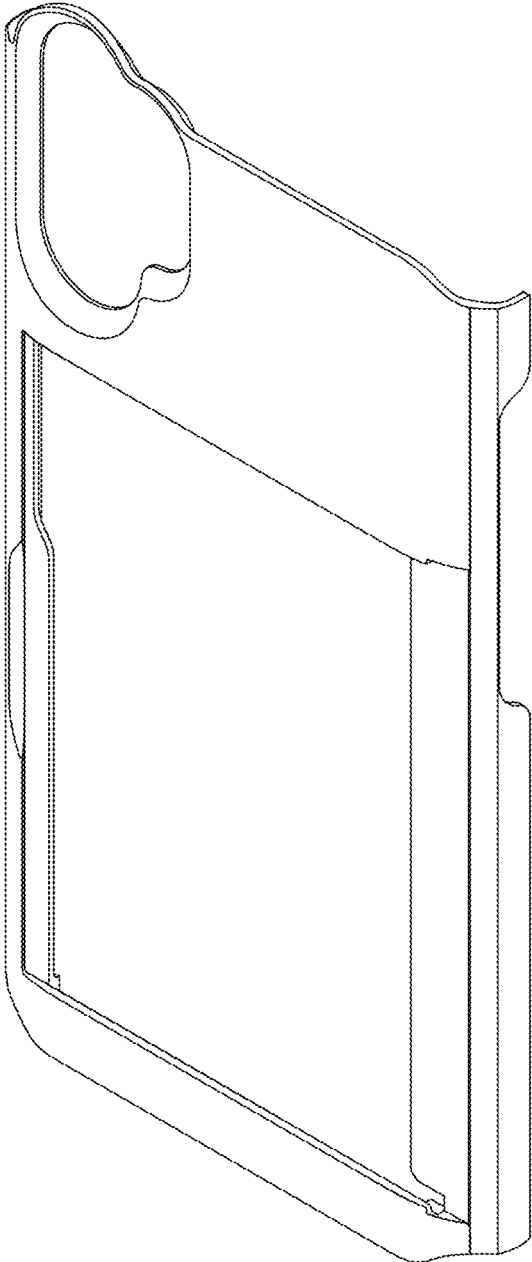




FIG. 14

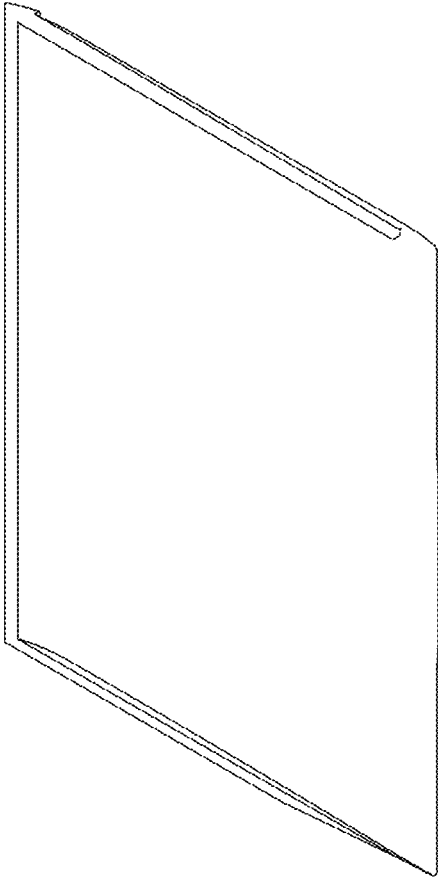


FIG. 15

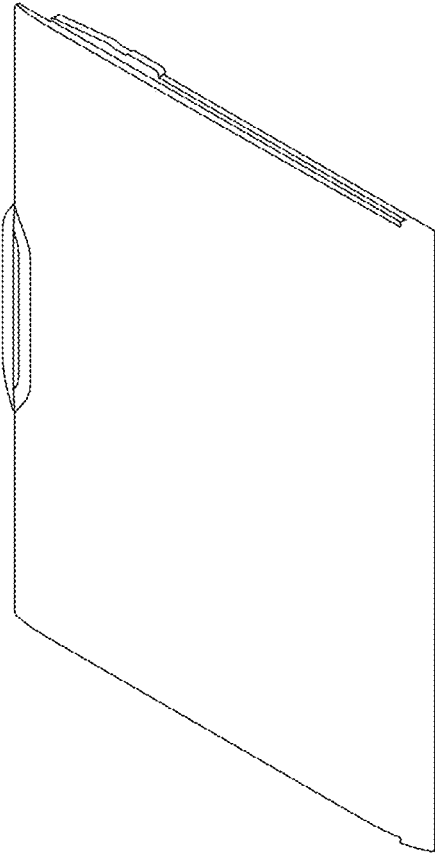


FIG. 16

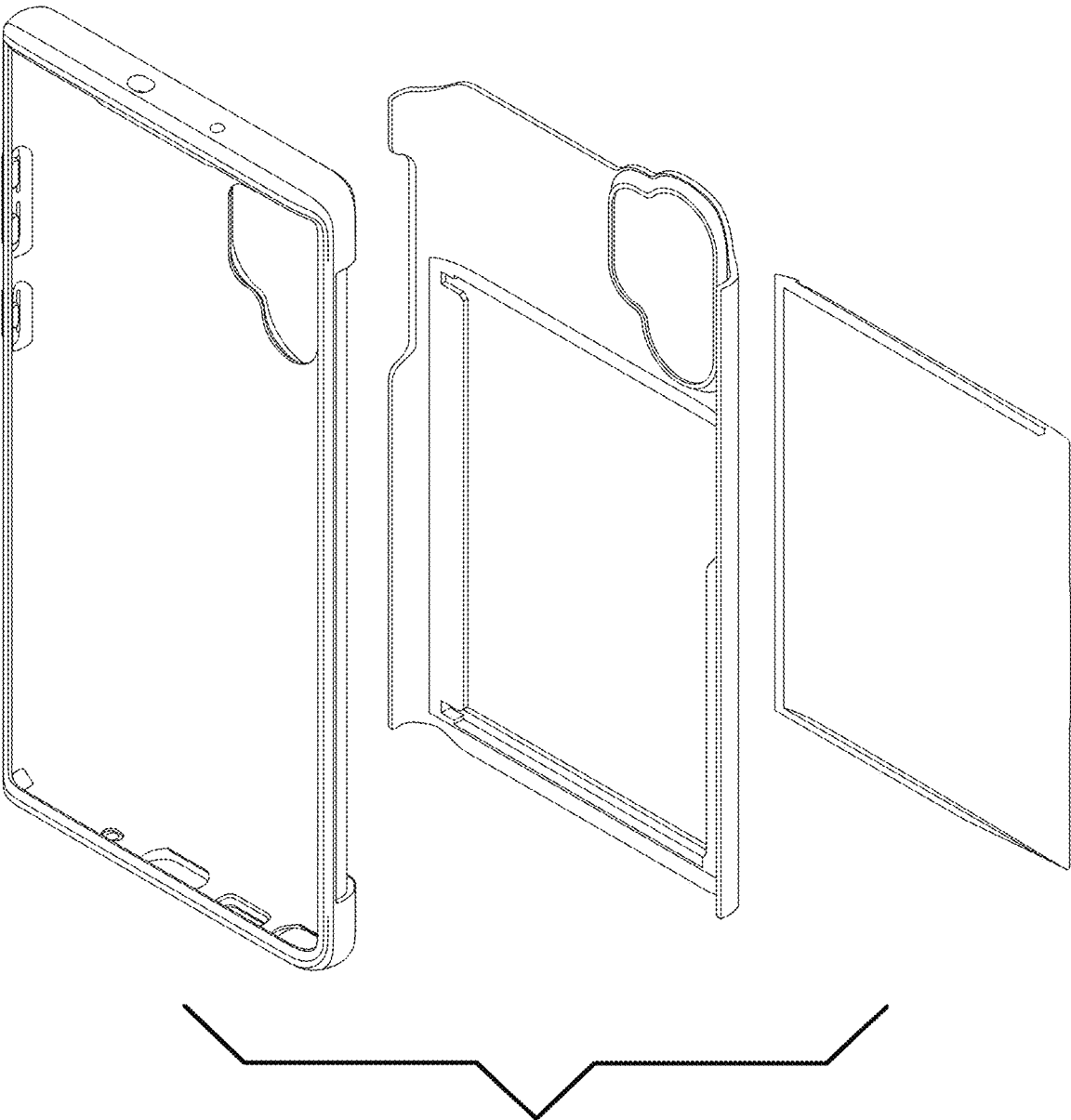


FIG. 17

