

(19) World Intellectual Property Organization
International Bureau



(43) International Publication Date
27 June 2002 (27.06.2002)

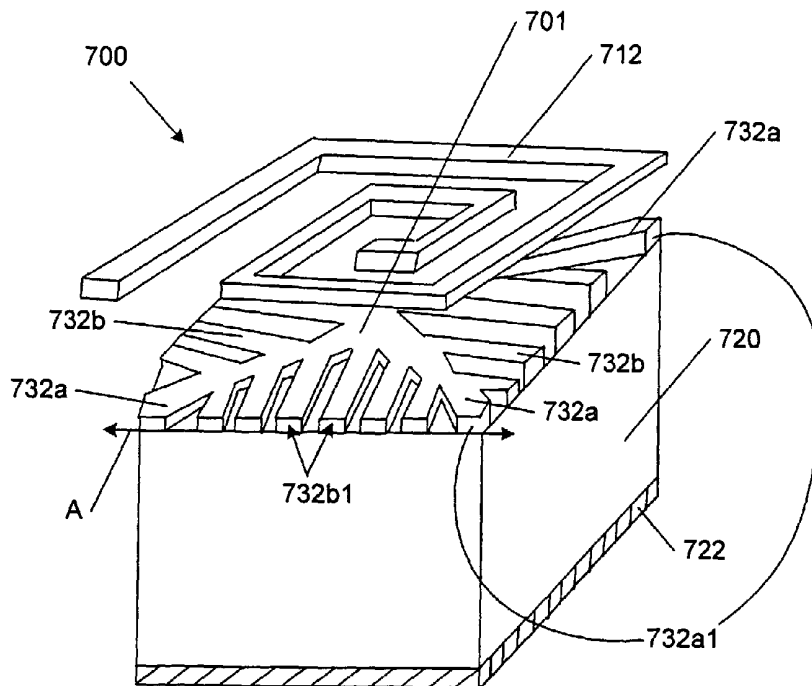
PCT

(10) International Publication Number
WO 02/050848 A3

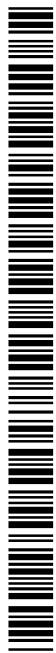
- (51) International Patent Classification⁷: H01F 17/00, 27/36
- (21) International Application Number: PCT/US01/46575
- (22) International Filing Date: 6 November 2001 (06.11.2001)
- (25) Filing Language: English
- (26) Publication Language: English
- (30) Priority Data: 09/745,068 19 December 2000 (19.12.2000) US
- (71) Applicant: ATHEROS COMMUNICATIONS, INC. [US/US]; 529 Almanor Avenue, Sunnyvale, CA 94085 (US).
- (72) Inventor: YUE, Chik, Patrick; 929 Bains Street, East Palo Alto, CA 94303 (US).
- (74) Agents: JAKOPIN, David, A. et al.; Pillsbury Winthrop LLP, 1600 Tysons Boulevard, McLean, VA 22102 (US).
- (81) Designated States (national): AE, AG, AL, AM, AT, AU, AZ, BA, BB, BG, BR, BY, BZ, CA, CH, CN, CO, CR, CU, CZ, DE, DK, DM, DZ, EC, EE, ES, FI, GB, GD, GE, GH, GM, HR, HU, ID, IL, IN, IS, JP, KE, KG, KP, KR, KZ, LC, LK, LR, LS, LT, LU, LV, MA, MD, MG, MK, MN, MW, MX, MZ, NO, NZ, OM, PH, PL, PT, RO, RU, SD, SE, SG, SI, SK, SL, TJ, TM, TR, TT, TZ, UA, UG, UZ, VN, YU, ZA, ZW.
- (84) Designated States (regional): ARIPO patent (GH, GM, KE, LS, MW, MZ, SD, SL, SZ, TZ, UG, ZW), Eurasian patent (AM, AZ, BY, KG, KZ, MD, RU, TJ, TM), European patent (AT, BE, CH, CY, DE, DK, ES, FI, FR, GB, GR, IE, IT, LU, MC, NL, PT, SE, TR), OAPI patent (BF, BJ, CF, CG, CI, CM, GA, GN, GQ, GW, ML, MR, NE, SN, TD, TG).
- Published: — with international search report
- (88) Date of publication of the international search report: 29 August 2002

[Continued on next page]

(54) Title: PLANAR INDUCTOR WITH SEGMENTED CONDUCTIVE PLANE



(57) Abstract: An integrated circuit inductor structure has a substrate disposed below an inductor. The structure also has plural conductive segments located between the substrate and the inductor. The conductive segments connect at substantially a point below the center of the inductor. An insulating layer lies between the inductor and the conductive segments.



WO 02/050848 A3



For two-letter codes and other abbreviations, refer to the "Guidance Notes on Codes and Abbreviations" appearing at the beginning of each regular issue of the PCT Gazette.

INTERNATIONAL SEARCH REPORT

International Application No

PCT/US 01/46575

A. CLASSIFICATION OF SUBJECT MATTER
 IPC 7 H01F17/00 H01F27/36

According to International Patent Classification (IPC) or to both national classification and IPC

B. FIELDS SEARCHED

Minimum documentation searched (classification system followed by classification symbols)

IPC 7 H01F

Documentation searched other than minimum documentation to the extent that such documents are included in the fields searched

Electronic data base consulted during the international search (name of data base and, where practical, search terms used)

EPO-Internal, WPI Data, PAJ

C. DOCUMENTS CONSIDERED TO BE RELEVANT

Category *	Citation of document, with indication, where appropriate, of the relevant passages	Relevant to claim No.
A	WO 98 50956 A (UNIV LELAND STANFORD JUNIOR) 12 November 1998 (1998-11-12) page 8, line 1-12; figures 4C,4D ---	1,9,17, 18
A	EP 0 780 853 A (HEWLETT PACKARD CO) 25 June 1997 (1997-06-25) cited in the application -----	

Further documents are listed in the continuation of box C.

Patent family members are listed in annex.

* Special categories of cited documents :

- *A* document defining the general state of the art which is not considered to be of particular relevance
- *E* earlier document but published on or after the international filing date
- *L* document which may throw doubts on priority claim(s) or which is cited to establish the publication date of another citation or other special reason (as specified)
- *O* document referring to an oral disclosure, use, exhibition or other means
- *P* document published prior to the international filing date but later than the priority date claimed

- *T* later document published after the international filing date or priority date and not in conflict with the application but cited to understand the principle or theory underlying the invention
- *X* document of particular relevance; the claimed invention cannot be considered novel or cannot be considered to involve an inventive step when the document is taken alone
- *Y* document of particular relevance; the claimed invention cannot be considered to involve an inventive step when the document is combined with one or more other such documents, such combination being obvious to a person skilled in the art.
- *G* document member of the same patent family

Date of the actual completion of the international search

5 June 2002

Date of mailing of the international search report

12/06/2002

Name and mailing address of the ISA

European Patent Office, P.B. 5818 Patentlaan 2
 NL - 2280 HV Rijswijk
 Tel. (+31-70) 340-2040, Tx. 31 651 epo nl,
 Fax: (+31-70) 340-3016

Authorized officer

Durville, G

INTERNATIONAL SEARCH REPORT
Information on patent family members

International Application No
PCT/US 01/46575

Patent document cited in search report		Publication date		Patent family member(s)		Publication date
WO 9850956	A	12-11-1998	AU	6468198 A		27-11-1998
			WO	9850956 A1		12-11-1998

EP 0780853	A	25-06-1997	US	5760456 A		02-06-1998
			EP	0780853 A1		25-06-1997
