



US00D872919S

(12) **United States Design Patent**
Fan

(10) **Patent No.:** **US D872,919 S**

(45) **Date of Patent:** **** Jan. 14, 2020**

(54) **LED WEAPONLIGHT**

(71) Applicant: **Shenzhen Olight E-Commerce Technology Co., Ltd., Guangdong (CN)**

(72) Inventor: **Jiang Fan, HuBei (CN)**

(**) Term: **15 Years**

(21) Appl. No.: **29/662,130**

(22) Filed: **Sep. 3, 2018**

(51) **LOC (12) Cl.** **26-05**

(52) **U.S. Cl.**
USPC **D26/60; D22/108; D22/109**

(58) **Field of Classification Search**
USPC D26/1, 24, 37, 44, 45, 51, 60; D22/108, D22/109, 110, 199; D10/46; D16/132, D16/133, 135, 136, 220
CPC F41G 1/34; F41G 1/35; F41G 1/36; F41G 1/345; G02B 23/16; G02B 23/105
See application file for complete search history.

(56) **References Cited**

U.S. PATENT DOCUMENTS

D548,385 S *	8/2007	Sharrah	D26/51
D567,894 S *	4/2008	Sterling	D22/108
D568,508 S *	5/2008	Howe	D26/38
D800,362 S *	10/2017	Galli	D26/60
D812,178 S *	3/2018	Galli	D22/108
10,365,069 B1 *	7/2019	Tayon		

D857,268 S *	8/2019	Worman	D26/60
D857,960 S *	8/2019	Worman	D26/60
2019/0154243 A1 *	5/2019	Worman	F21V 23/0421
2019/0219365 A1 *	7/2019	Ma	F41G 1/35

* cited by examiner

Primary Examiner — Wan Laymon

Assistant Examiner — Clint A Samuel

(74) *Attorney, Agent, or Firm* — Prakash Nama; Global IP Services, PLLC

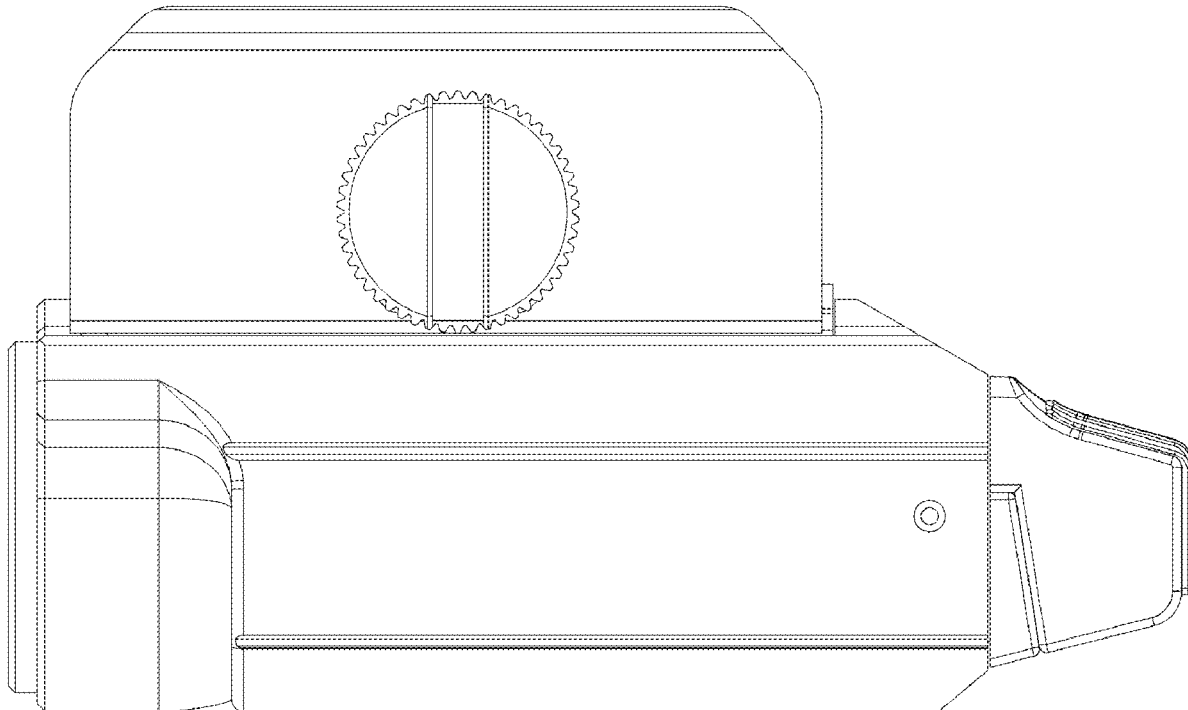
(57) **CLAIM**

The ornamental design for a LED weaponlight, as shown and described.

DESCRIPTION

FIG. 1 is a front elevational view of a LED weaponlight showing my new design;
FIG. 2 is a rear elevational view thereof;
FIG. 3 is a left side view thereof;
FIG. 4 is a right side view thereof;
FIG. 5 is a top plan view thereof;
FIG. 6 is a bottom plan view thereof;
FIG. 7 is a perspective view thereof; and,
FIG. 8 is another perspective view thereof.
The broken lines shown in LED weaponlight form no part of the claimed design.

1 Claim, 4 Drawing Sheets



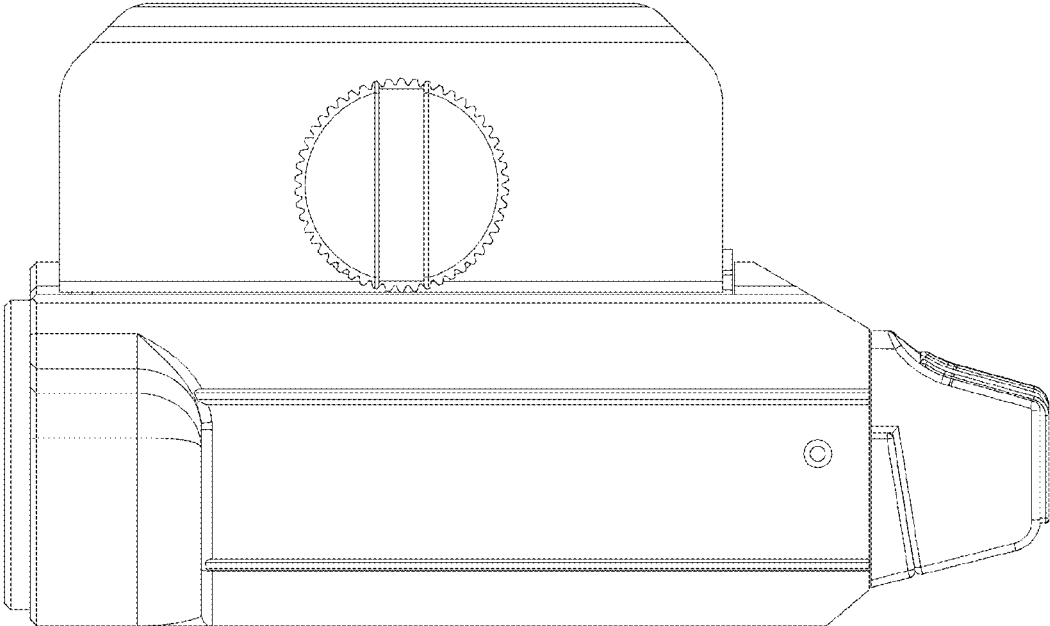


Fig. 1

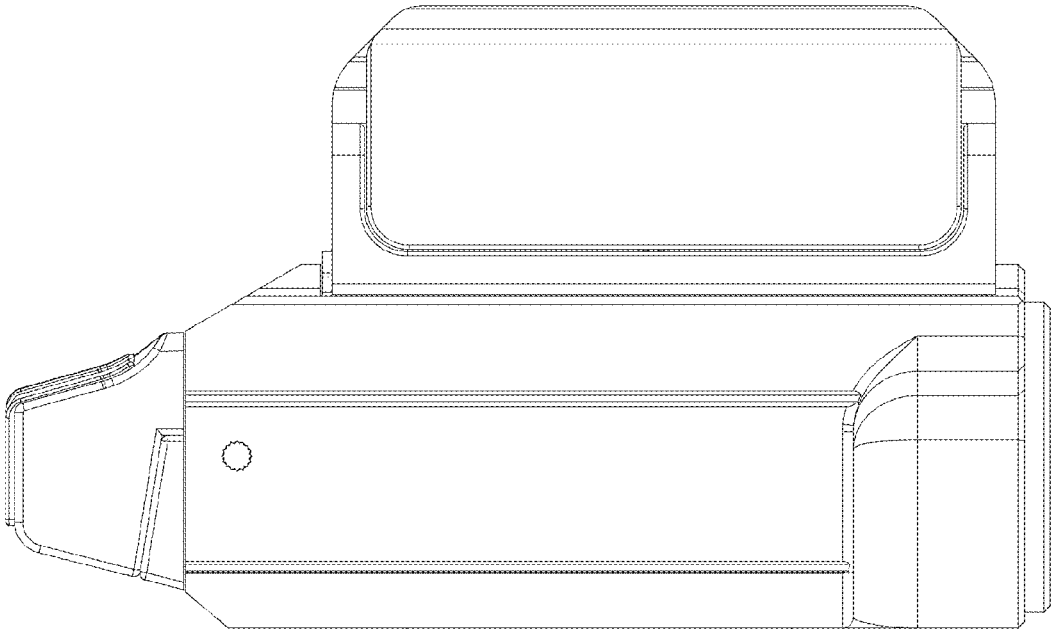


Fig. 2

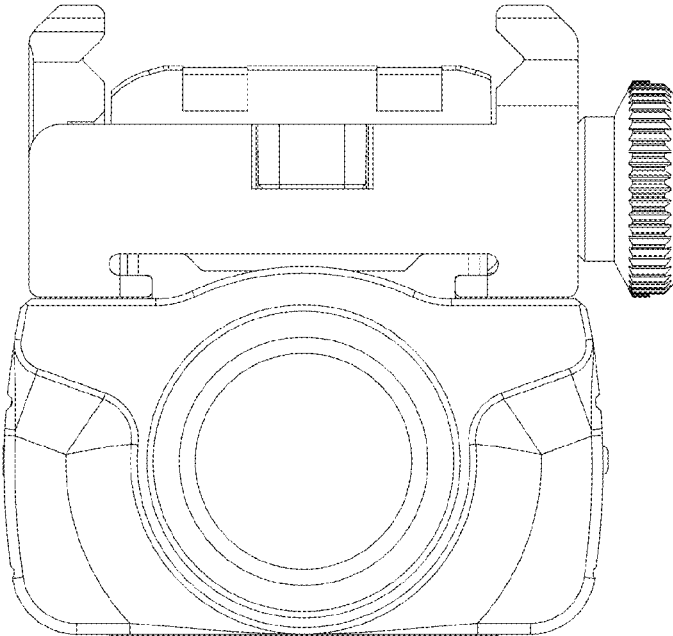


Fig. 3

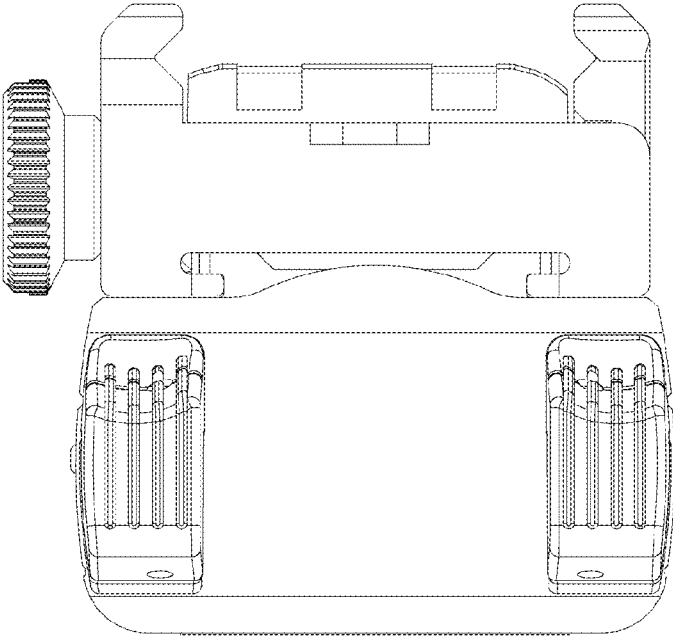


Fig. 4

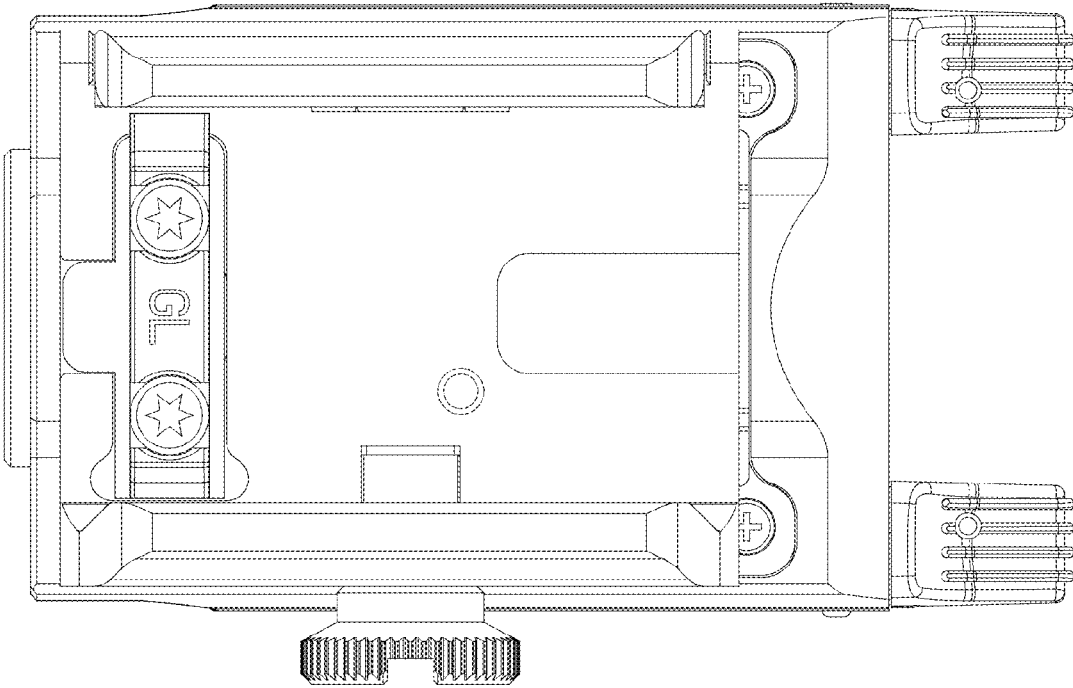


Fig. 5

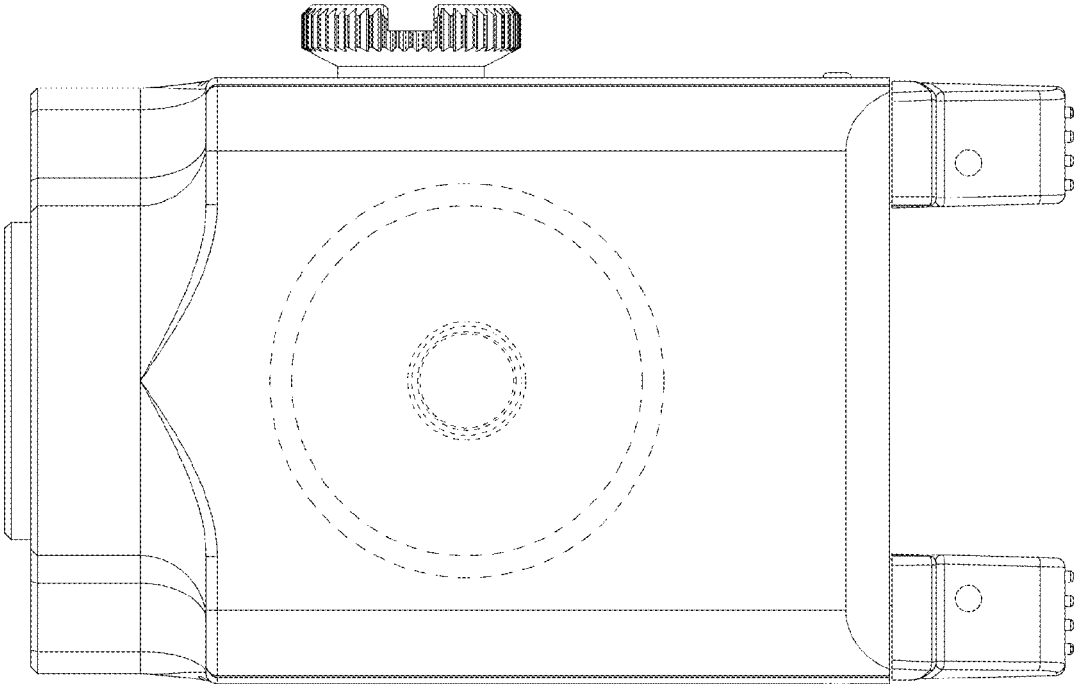


Fig. 6

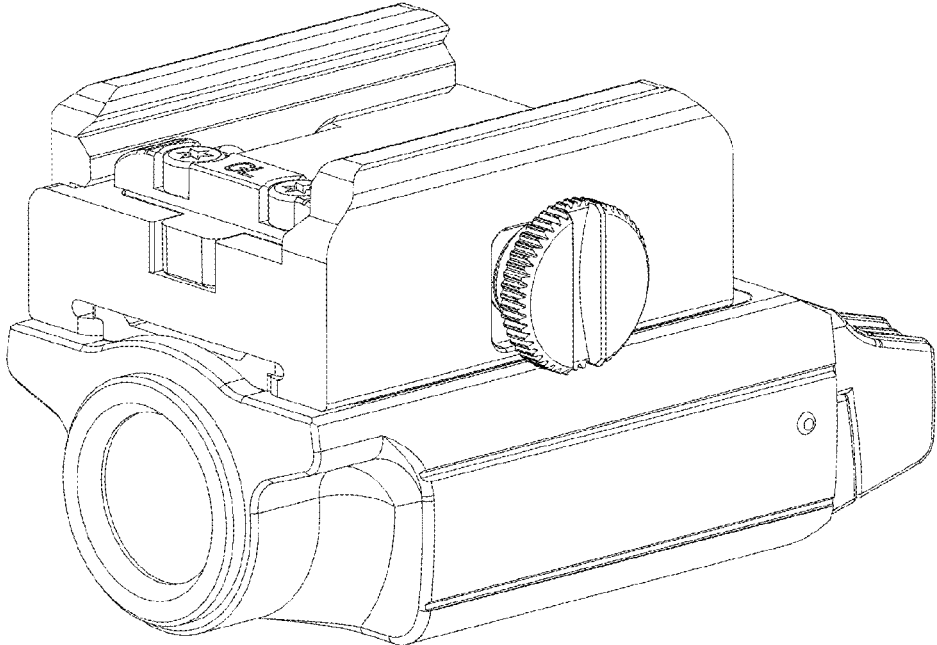


Fig. 7

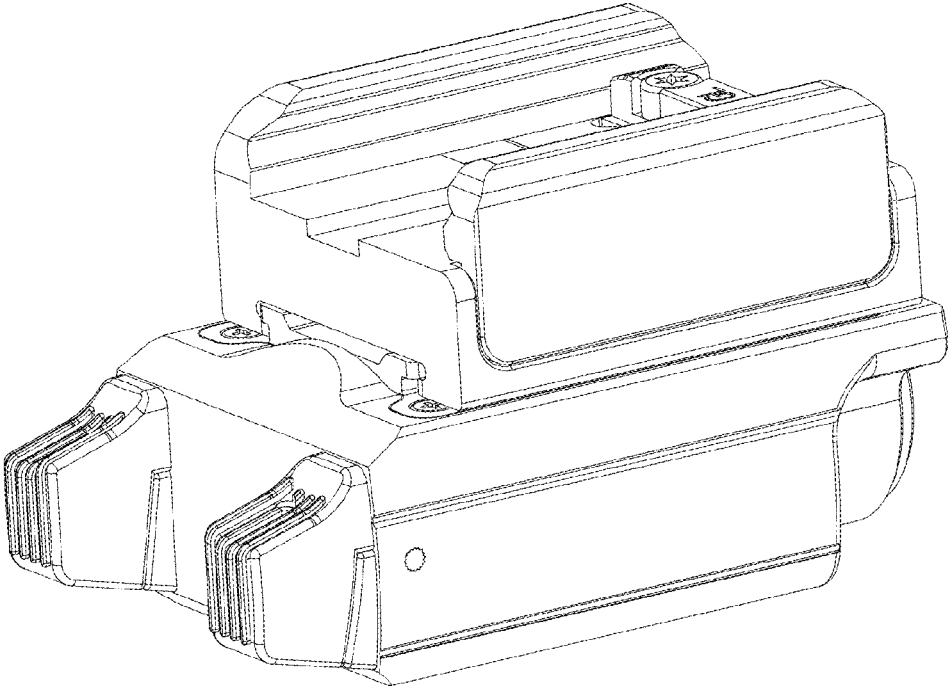


Fig. 8