



US00D995965S

(12) **United States Design Patent**
Zhang et al.

(10) **Patent No.:** **US D995,965 S**

(45) **Date of Patent:** **** Aug. 15, 2023**

(54) **CLEANING ROBOT**
(71) Applicant: **BEIJING XIAOMI MOBILE SOFTWARE CO., LTD.,** Beijing (CN)
(72) Inventors: **Lei Zhang,** Beijing (CN); **Ningning Li,** Beijing (CN)

D660,530 S * 5/2012 Geringer D32/21
D690,478 S * 9/2013 Li D32/21
D691,337 S * 10/2013 Kim D32/21
D703,397 S * 4/2014 Sungkyung D32/21
D835,869 S * 12/2018 Li D32/21
D840,617 S * 2/2019 Dou D32/21
D867,701 S * 11/2019 Mi D32/31

(Continued)

(73) Assignee: **Beijing Xiaomi Mobile Software Co., Ltd.,** Beijing (CN)

FOREIGN PATENT DOCUMENTS

(**) Term: **15 Years**

CN 305003950 S 1/2019
CN 305196442 S 6/2019

(Continued)

(21) Appl. No.: **35/512,713**

(22) Filed: **Sep. 28, 2021**

OTHER PUBLICATIONS

(80) **Hague Agreement Data**

Int. Filing Date: **Sep. 28, 2021**
Int. Reg. No.: **DM/216698**
Int. Reg. Date: **Sep. 28, 2021**
Int. Reg. Pub. Date: **Oct. 15, 2021**

Amazon.com Oct. 11, 2022, 360 S7 Robot vacuum and mop leaner 2200Pa Super suction laser navigation, <https://www.amazon.com/360-S7-Navigation-Management-Self-Charging/dp/B07ZRTJDF9> (Year: 2022).*

(Continued)

(30) **Foreign Application Priority Data**

Mar. 29, 2021 (CN) 202130173073.1

(51) **LOC (14) Cl.** **07-05**

(52) **U.S. Cl.**
USPC **D32/21**

(58) **Field of Classification Search**

USPC D32/18, 19, 21, 31; D15/199; D21/526, D21/578; D8/70, 310, 330
CPC .. A47L 9/009; A47L 2201/00; A47L 2201/02; A47L 2201/04; A47L 2201/06; A47L 2201/0461; A47L 2201/2805; B25J 9/1694

See application file for complete search history.

Primary Examiner — Cynthia Ramirez

(74) *Attorney, Agent, or Firm* — Amster, Rothstein & Ebenstein LLP

(57) **CLAIM**

The ornamental design for a cleaning robot, as shown and described.

DESCRIPTION

1.1 is a front elevation view of a cleaning robot showing our new design;
1.2 is a back elevation view thereof;
1.3 is a left side elevation view thereof;
1.4 is a right side elevation view thereof;
1.5 is a top plan view thereof;
1.6 is a bottom plan view thereof; and
1.7 is a perspective view thereof.

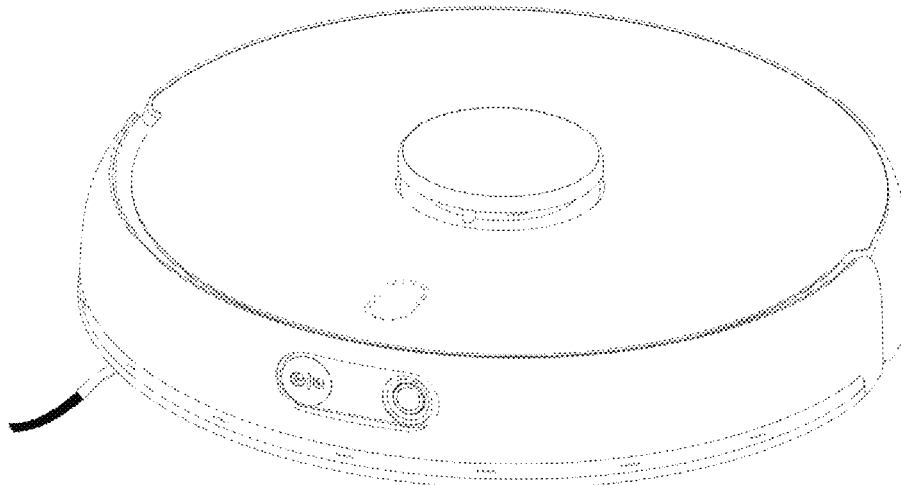
In the drawings, the broken lines illustrate portions of the cleaning robot that form no part of the claimed design.

(56) **References Cited**

U.S. PATENT DOCUMENTS

D658,341 S * 4/2012 Nam D32/21
D659,311 S * 5/2012 Geringer D32/21

1 Claim, 5 Drawing Sheets



(56)

References Cited

U.S. PATENT DOCUMENTS

D871,694 S * 12/2019 Casini D32/21
 D884,298 S * 5/2020 Li D32/21
 D885,698 S * 5/2020 Li D32/21
 D885,699 S * 5/2020 Li D32/21
 D890,457 S * 7/2020 Pearce D32/21
 D893,819 S * 8/2020 Li D32/21
 D901,110 S * 11/2020 Li A47L 9/009
 D903,961 S * 12/2020 Li D32/21
 D906,607 S * 12/2020 Chen D32/21
 D906,608 S * 12/2020 Li D32/21
 D917,117 S * 4/2021 Cao D32/21
 D917,808 S * 4/2021 Kim D32/21
 D917,809 S * 4/2021 Kim D32/21
 D919,210 S * 5/2021 Mi D32/21
 D919,211 S * 5/2021 Chang D32/21
 D919,910 S * 5/2021 Li D32/21
 D921,308 S * 6/2021 Cao D32/21
 D921,309 S * 6/2021 Liu D32/21
 D929,690 S * 8/2021 Cheng A47L 9/009
 D930,299 S * 9/2021 Lee D15/199
 D932,123 S * 9/2021 Li D32/21
 D932,718 S * 10/2021 Yan D32/21
 D935,712 S * 11/2021 Wang D32/21
 D938,116 S * 12/2021 Yu D32/21
 D945,098 S * 3/2022 Hong D32/31
 D947,473 S * 3/2022 Chei D32/21
 D948,143 S * 4/2022 Pearce D32/21
 D955,073 S * 6/2022 Tan D32/21
 D965,241 S * 9/2022 Tan D32/21
 D965,932 S * 10/2022 Li D32/21
 2012/0311813 A1* 12/2012 Gilbert, Jr. A47L 11/4041
 15/347
 2013/0060379 A1* 3/2013 Choe G06N 3/008
 700/245
 2016/0051110 A1* 2/2016 Cao A47L 9/009
 15/324

2016/0081525 A1* 3/2016 Kim B60B 15/263
 15/340.1
 2017/0296010 A1* 10/2017 Li A47L 9/149
 2018/0014709 A1* 1/2018 O'Brien G05D 1/0225
 2018/0116478 A1* 5/2018 Lewis A47L 9/1409
 2019/0069744 A1* 3/2019 Liggett A47L 9/2852
 2019/0142233 A1* 5/2019 Swett A47L 9/1409
 15/347
 2019/0202301 A1* 7/2019 O'Brien H05F 3/04
 2020/0229668 A1* 7/2020 Bone A47L 9/2894
 2020/0323413 A1* 10/2020 Li A47L 11/4083
 2021/0068524 A1* 3/2021 VanTongeren A47L 9/0472
 2021/0093146 A1* 4/2021 Pastore A47L 9/009
 2021/0321843 A1* 10/2021 Yan A47L 9/009
 2021/0393099 A1* 12/2021 Zhao A47L 9/2873
 2021/0393100 A1* 12/2021 Yang A47L 9/281
 2022/0095870 A1* 3/2022 Zheng A47L 11/4011
 2022/0167815 A1* 6/2022 Sohn G05D 1/0227

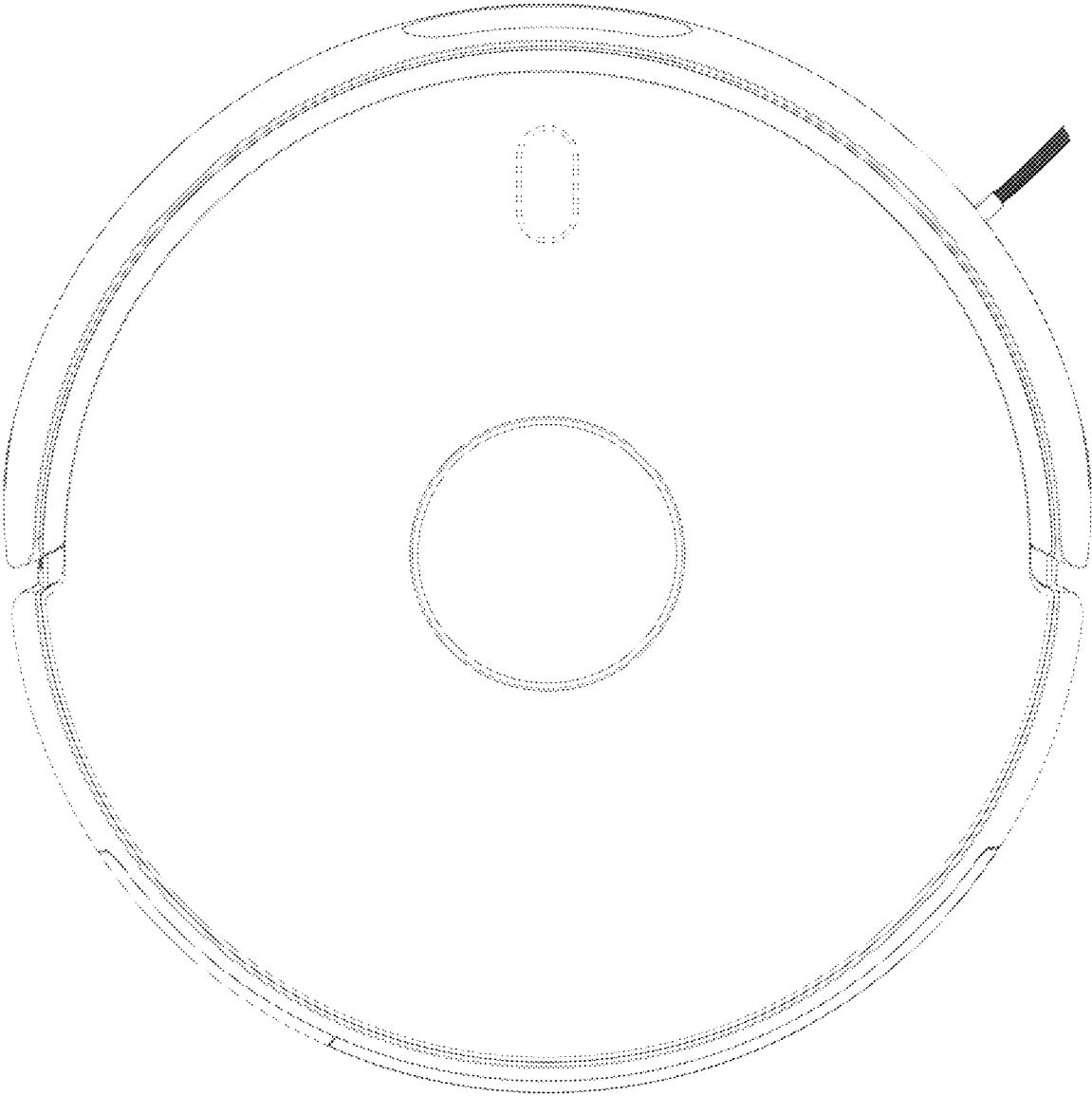
FOREIGN PATENT DOCUMENTS

CN 305307879 S 8/2019
 CN 305948389 S 7/2020
 CN 306053469 S 9/2020
 CN 306336770 S 2/2021
 KR 3010691890001 8/2020

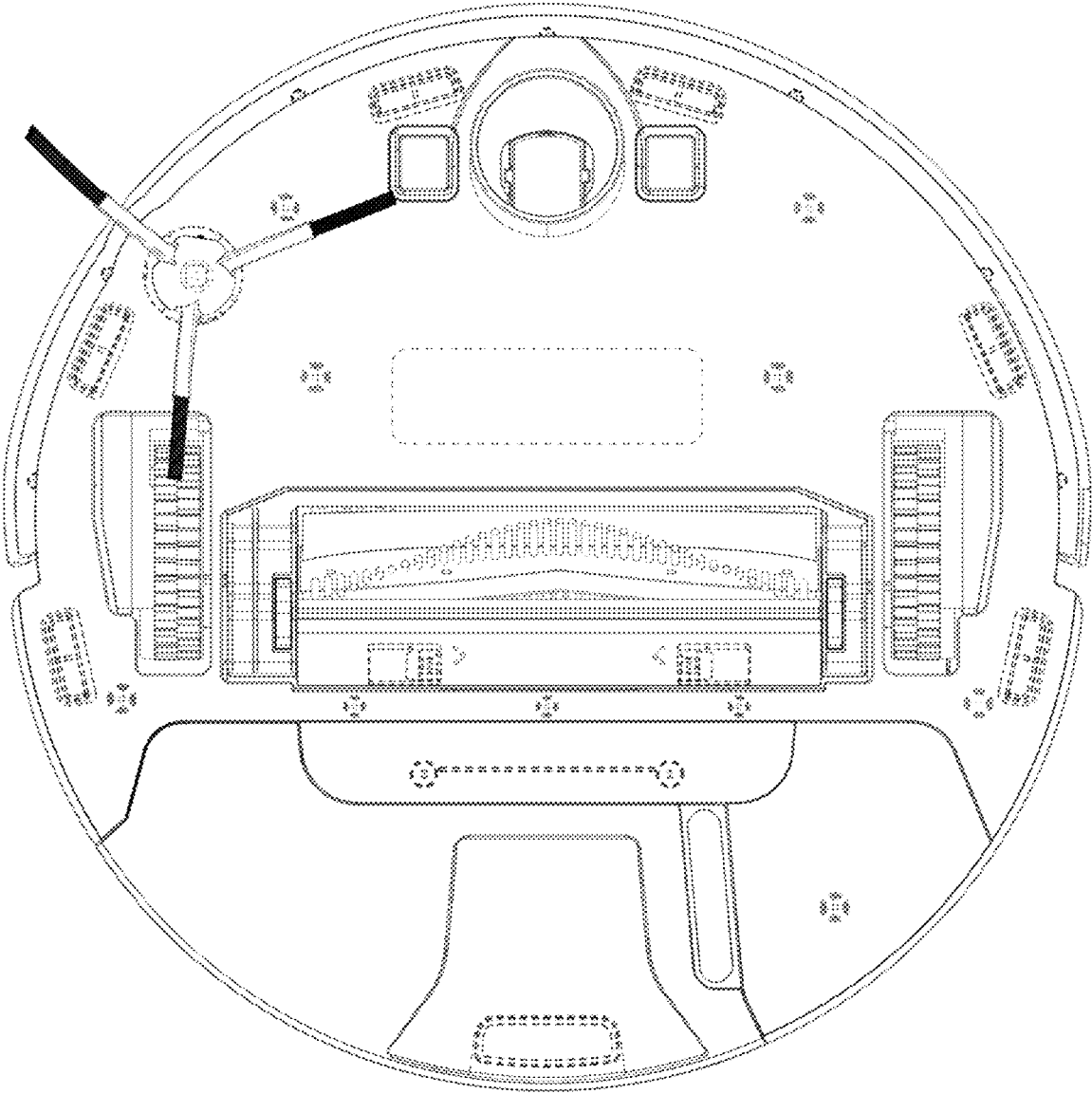
OTHER PUBLICATIONS

Homedepot.com Oct. 11, 2022, S75 Plus Robotic Vacuum cleaner sonic mop with self-empty dock 2500Pa suction, <https://www.homedepot.com/p/ROBOROCK-S75Plus-Robotic-Vacuum-Cleaner-Sonic-Mop-with-Self-Empty-Dock-2500Pa-Suction-washable-filter-Multisurface-Roborock-S75/320741030> (Year: 2022).
 Chewy.com Oct. 11, 2022, Wyze robot dog, cat& horse vacuum cleaner, <https://www.chewy.com/wyze-robot-dog-cat-horse-vacuum/dp/389947> (Year: 2022).
 Taiwan Notice of Allowance issued to Application No. 110305226, dated Mar. 28, 2022.

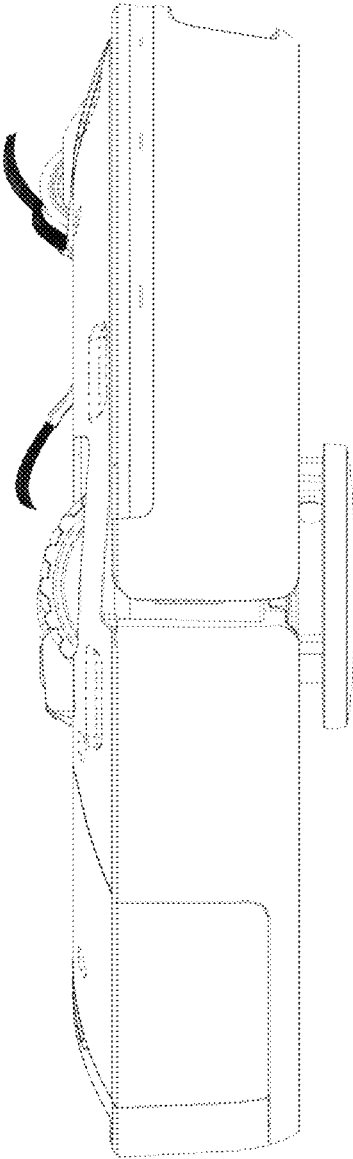
* cited by examiner



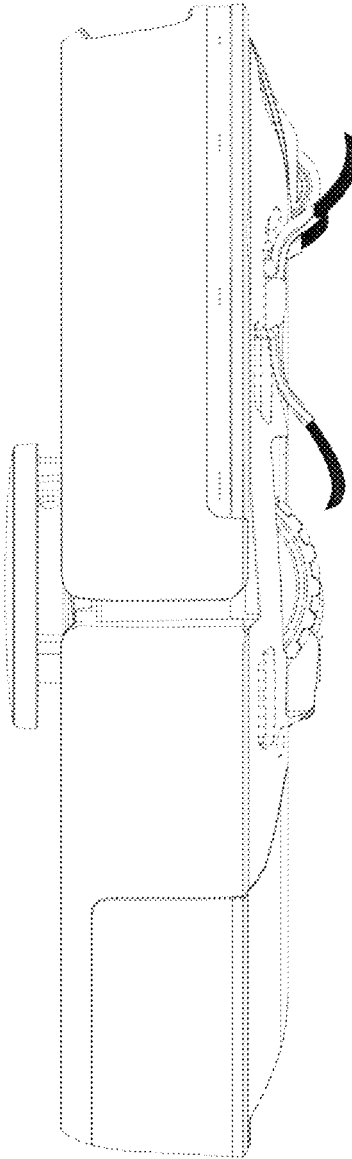
1.1



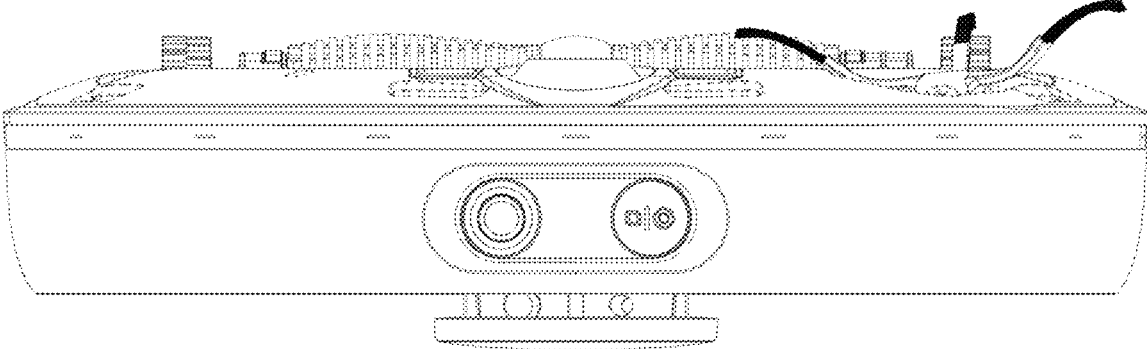
1.2



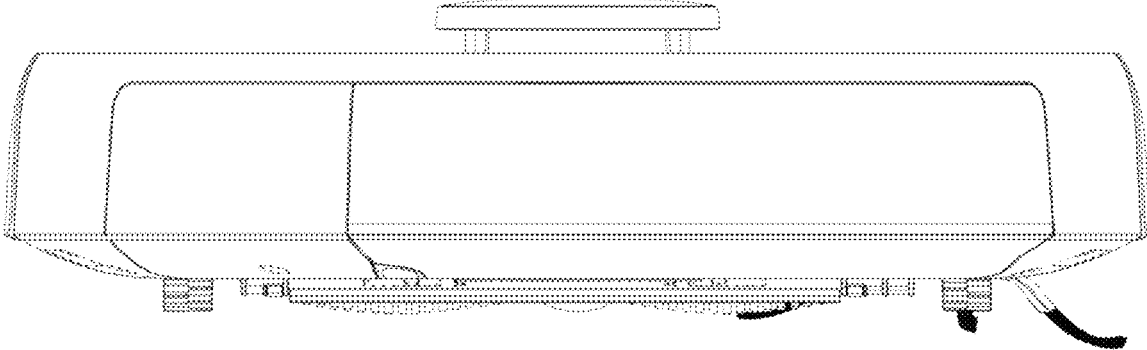
1.3



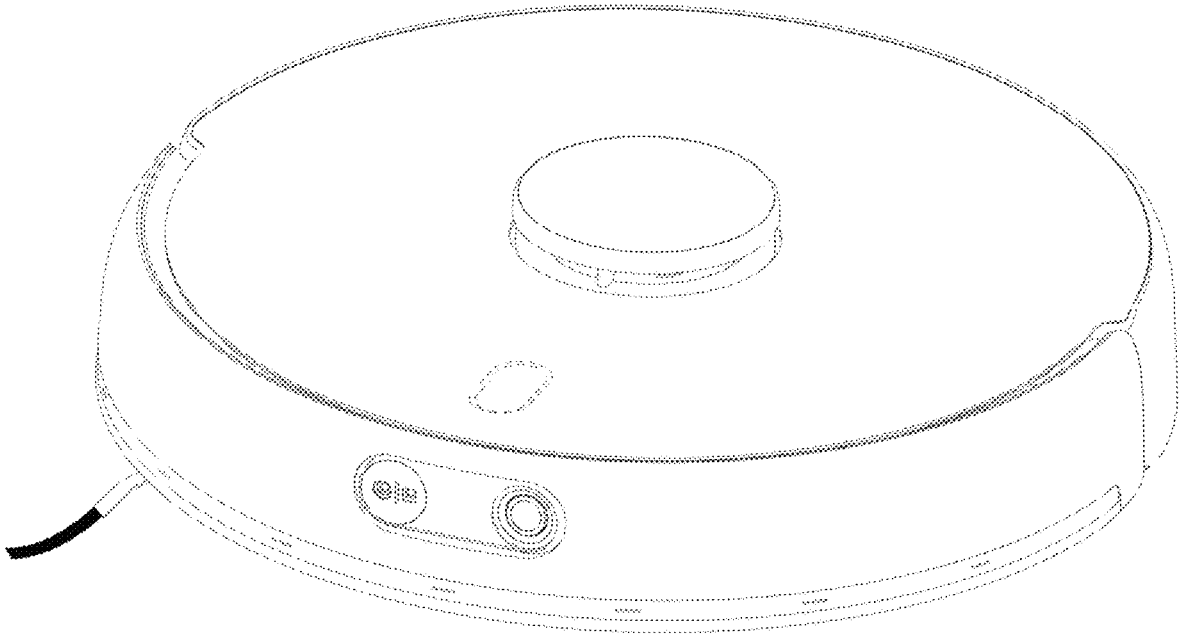
1.4



1.5



1.6



1.7