

(19) World Intellectual Property Organization
International Bureau



(43) International Publication Date
29 March 2012 (29.03.2012)

(10) International Publication Number
WO 2012/039117 A3

(51) International Patent Classification:

H01R 13/74 (2006.01) H01R 13/52 (2006.01)
H01R 101/00 (2006.01) H01R 13/405 (2006.01)
H01R 4/34 (2006.01) H01R 13/516 (2006.01)

(21) International Application Number:

PCT/JP2011/005219

(22) International Filing Date:

15 September 2011 (15.09.2011)

(25) Filing Language:

English

(26) Publication Language:

English

(30) Priority Data:

2010-210701 21 September 2010 (21.09.2010) JP

(71) Applicant (for all designated States except US): **YAZAKI CORPORATION** [JP/JP]; 4-28, Mita 1-chome, Minato-ku, Tokyo, 1080073 (JP).

(72) Inventors; and

(75) Inventors/Applicants (for US only): **IKEDA, Tomohiro** [JP/JP]; c/o Yazaki Parts Co., Ltd., 206-1, Nunohikibara, Makinohara-shi, Shizuoka, 4210407 (JP). **FURUYA, Yoshinobu** [JP/JP]; c/o Yazaki Parts Co., Ltd., 206-1, Nunohikibara, Makinohara-shi, Shizuoka, 4210407 (JP). **HANAOKA, Kiyotaka** [JP/JP]; c/o Yazaki Parts Co., Ltd., 206-1, Nunohikibara, Makinohara-shi, Shizuoka,

4210407 (JP). **OKUMURA, Takahiko** [JP/JP]; c/o Yazaki Parts Co., Ltd., 206-1, Nunohikibara, Makinohara-shi, Shizuoka, 4210407 (JP).

(74) Agents: **MIYOSHI, Hidekazu** et al.; Toranomom Kotohira Tower, 2-8, Toranomom 1-chome, Minato-ku, Tokyo, 1050001 (JP).

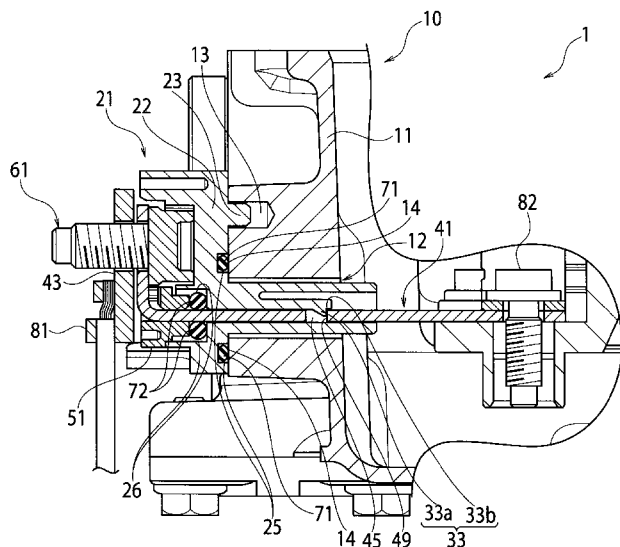
(81) Designated States (unless otherwise indicated, for every kind of national protection available): AE, AG, AL, AM, AO, AT, AU, AZ, BA, BB, BG, BH, BR, BW, BY, BZ, CA, CH, CL, CN, CO, CR, CU, CZ, DE, DK, DM, DO, DZ, EC, EE, EG, ES, FI, GB, GD, GE, GH, GM, GT, HN, HR, HU, ID, IL, IN, IS, KE, KG, KM, KN, KP, KR, KZ, LA, LC, LK, LR, LS, LT, LU, LY, MA, MD, ME, MG, MK, MN, MW, MX, MY, MZ, NA, NG, NI, NO, NZ, OM, PE, PG, PH, PL, PT, QA, RO, RS, RU, RW, SC, SD, SE, SG, SK, SL, SM, ST, SV, SY, TH, TJ, TM, TN, TR, TT, TZ, UA, UG, US, UZ, VC, VN, ZA, ZM, ZW.

(84) Designated States (unless otherwise indicated, for every kind of regional protection available): ARIPO (BW, GH, GM, KE, LR, LS, MW, MZ, NA, SD, SL, SZ, TZ, UG, ZM, ZW), Eurasian (AM, AZ, BY, KG, KZ, MD, RU, TJ, TM), European (AL, AT, BE, BG, CH, CY, CZ, DE, DK, EE, ES, FI, FR, GB, GR, HR, HU, IE, IS, IT, LT, LU, LV, MC, MK, MT, NL, NO, PL, PT, RO, RS, SE, SI, SK,

[Continued on next page]

(54) Title: TERMINAL BLOCK STRUCTURE

[Fig. 6]



(57) Abstract: An instrument box (10) and a terminal block (20, 120) including a resin housing (21) and a bus bar (41) are provided. The resin housing (21) has a housing body (22) fixed to a box wall surface (11); and a bus bar housing (32) formed integrally with the housing body (22) and inserted into an insertion hole (12) of the box wall surface (11). The bus bar (41) has a bus bar body (42) inserted into the insertion hole (12) with fitted in the resin housing (21) and housed in the bus bar housing (32); a first terminal connecting portion (43) on one side of the bus bar body (42) to connect with the cable terminal end outside the instrument box (81); and a second terminal connecting portion (44) on another side of the bus bar body (42) to connect with the terminal inside the instrument box (10).

WO 2012/039117 A3



SM, TR), OAPI (BF, BJ, CF, CG, CI, CM, GA, GN, GQ,
GW, ML, MR, NE, SN, TD, TG).

— before the expiration of the time limit for amending the
claims and to be republished in the event of receipt of
amendments (Rule 48.2(h))

Published:

— with international search report (Art. 21(3))

(88) Date of publication of the international search report:

18 May 2012

INTERNATIONAL SEARCH REPORT

International application No

PCT/JP2011/005219

A. CLASSIFICATION OF SUBJECT MATTER

INV. H01R13/74 H01R101/00
 ADD. H01R4/34 H01R13/52 H01R13/405 H01R13/516

According to International Patent Classification (IPC) or to both national classification and IPC

B. FIELDS SEARCHED

Minimum documentation searched (classification system followed by classification symbols)

H01R

Documentation searched other than minimum documentation to the extent that such documents are included in the fields searched

Electronic data base consulted during the international search (name of data base and, where practical, search terms used)

EPO-Internal, WPI Data

C. DOCUMENTS CONSIDERED TO BE RELEVANT

Category*	Citation of document, with indication, where appropriate, of the relevant passages	Relevant to claim No.
X	US 2009/124121 A1 (MATSUOKA HIROYUKI [JP]) 14 May 2009 (2009-05-14) figure 1 paragraph [0041] -----	1-4
X	EP 2 144 332 A1 (SUMITOMO WIRING SYSTEMS [JP]) 13 January 2010 (2010-01-13) figure 1 -----	1
X	EP 2 019 457 A2 (SUMITOMO WIRING SYSTEMS [JP]) 28 January 2009 (2009-01-28) figure 1 -----	1
A	JP 2008 005601 A (TOYOTA MOTOR CORP) 10 January 2008 (2008-01-10) cited in the application figures 2-5 -----	1
	-/--	

 Further documents are listed in the continuation of Box C. See patent family annex.

* Special categories of cited documents :

"A" document defining the general state of the art which is not considered to be of particular relevance

"E" earlier document but published on or after the international filing date

"L" document which may throw doubts on priority claim(s) or which is cited to establish the publication date of another citation or other special reason (as specified)

"O" document referring to an oral disclosure, use, exhibition or other means

"P" document published prior to the international filing date but later than the priority date claimed

"T" later document published after the international filing date or priority date and not in conflict with the application but cited to understand the principle or theory underlying the invention

"X" document of particular relevance; the claimed invention cannot be considered novel or cannot be considered to involve an inventive step when the document is taken alone

"Y" document of particular relevance; the claimed invention cannot be considered to involve an inventive step when the document is combined with one or more other such documents, such combination being obvious to a person skilled in the art.

"&" document member of the same patent family

Date of the actual completion of the international search

7 March 2012

Date of mailing of the international search report

14/03/2012

Name and mailing address of the ISA/

European Patent Office, P.B. 5818 Patentlaan 2
 NL - 2280 HV Rijswijk
 Tel. (+31-70) 340-2040,
 Fax: (+31-70) 340-3016

Authorized officer

Hugueny, Bertrand

INTERNATIONAL SEARCH REPORT

International application No
PCT/JP2011/005219

C(Continuation). DOCUMENTS CONSIDERED TO BE RELEVANT		
Category*	Citation of document, with indication, where appropriate, of the relevant passages	Relevant to claim No.
A	US 2004/142597 A1 (MIZUTANI YOSHIO [JP]) 22 July 2004 (2004-07-22) figure 2 -----	1

INTERNATIONAL SEARCH REPORT

Information on patent family members

International application No

PCT/JP2011/005219

Patent document cited in search report	Publication date	Patent family member(s)	Publication date	
US 2009124121	A1	14-05-2009	CN 101431199 A	13-05-2009
			DE 102008053175 A1	20-05-2009
			JP 2009117307 A	28-05-2009
			US 2009124121 A1	14-05-2009

EP 2144332	A1	13-01-2010	CN 101626125 A	13-01-2010
			EP 2144332 A1	13-01-2010
			JP 2010021017 A	28-01-2010
			US 2010009566 A1	14-01-2010

EP 2019457	A2	28-01-2009	CN 101355209 A	28-01-2009
			EP 2019457 A2	28-01-2009
			JP 2009032500 A	12-02-2009
			KR 20090012164 A	02-02-2009
			US 2009029594 A1	29-01-2009

JP 2008005601	A	10-01-2008	JP 4775134 B2	21-09-2011
			JP 2008005601 A	10-01-2008

US 2004142597	A1	22-07-2004	DE 10354283 A1	22-07-2004
			JP 2004172071 A	17-06-2004
			US 2004142597 A1	22-07-2004
