



US00D448508B1

(12) **United States Design Patent** (10) **Patent No.:** **US D448,508 S**
Benghozi (45) **Date of Patent:** **** Sep. 25, 2001**

- (54) **LAMP**
- (75) Inventor: **Simon-Victor Benghozi**, Outremont (CA)
- (73) Assignee: **Bazz Inc.**, Montréal (CA)
- (**) Term: **14 Years**
- (21) Appl. No.: **29/135,906**
- (22) Filed: **Jan. 22, 2001**
- (51) **LOC (7) Cl.** **26-05**
- (52) **U.S. Cl.** **D26/63**
- (58) **Field of Search** D26/60-66; 362/267, 362/269, 281, 285, 287, 418, 419, 427, 430

- (56) **References Cited**
- U.S. PATENT DOCUMENTS**
- | | | | | |
|------------|---|---------|--------------------|-----------|
| D. 370,076 | * | 5/1996 | Lecluze | D26/63 |
| D. 374,496 | * | 10/1996 | Small | D26/63 |
| D. 377,693 | * | 1/1997 | Lecluze | D26/63 |
| D. 434,165 | * | 11/2000 | Hiller et al. | D26/65 |
| D. 435,924 | * | 1/2001 | Hiller et al. | D26/63 |
| D. 437,651 | * | 2/2001 | Tang | D26/63 |
| 6,022,129 | * | 2/2000 | Tang | 362/418 X |

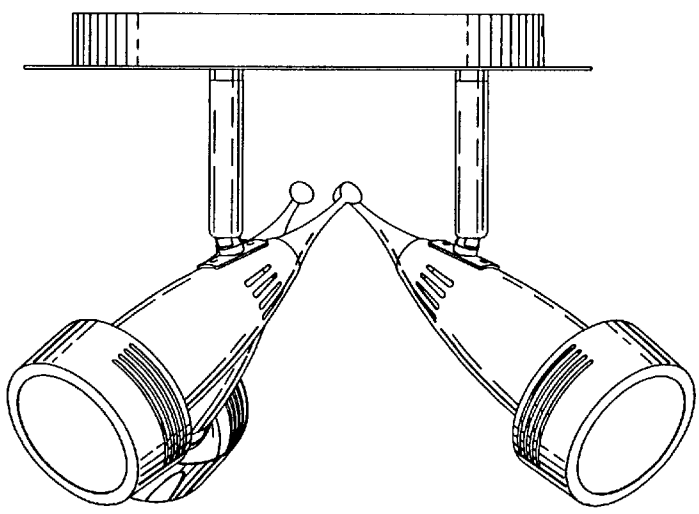
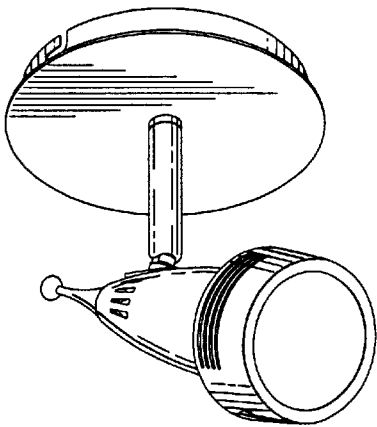
* cited by examiner
Primary Examiner—Susan J. Lucas

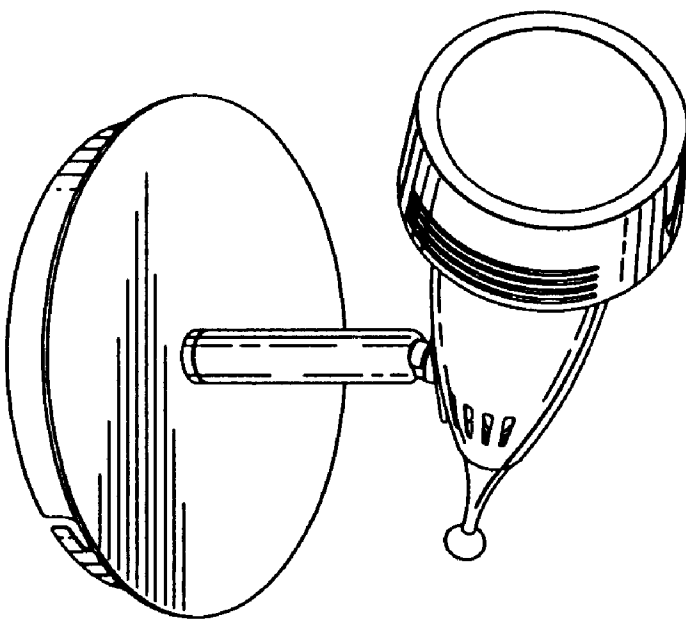
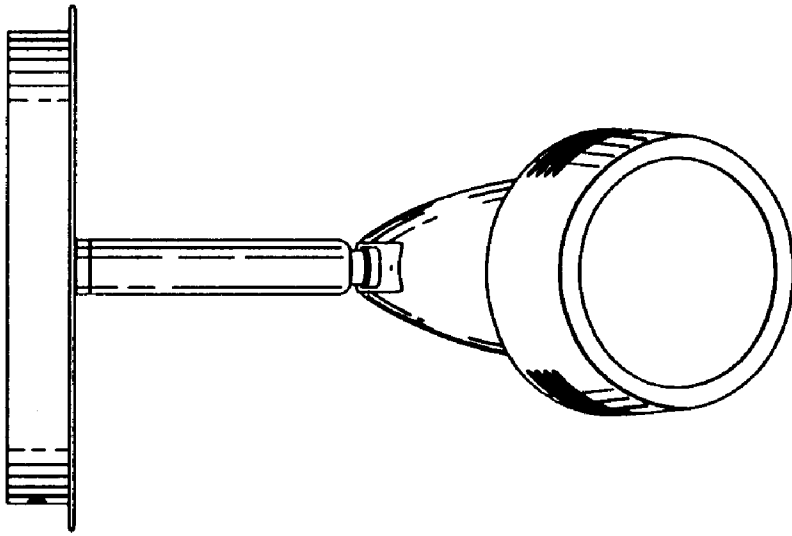
(74) *Attorney, Agent, or Firm*—Jean H. Dubuc
(57) **CLAIM**
The ornamental design for a lamp, as shown and described.

DESCRIPTION

FIG. 1 is a perspective view of a lamp showing my new design;
FIG. 2 is a front elevation view thereof;
FIG. 3 is a side elevation view thereof;
FIG. 4 is a rear elevation view thereof;
FIG. 5 is a top plan view thereof;
FIG. 6 is a perspective view of a first variant of the lamp;
FIG. 7 is a front elevation view thereof;
FIG. 8 is a side elevation view thereof;
FIG. 9 is a side elevation view thereof opposite the view of FIG. 8;
FIG. 10 is a rear elevation view thereof;
FIG. 11 is a top plan view thereof;
FIG. 12 is a perspective view of a second variant of the lamp;
FIG. 13 is a front elevation view thereof;
FIG. 14 is a side elevation view thereof;
FIG. 15 is a side elevation view thereof opposite the view of FIG. 14;
FIG. 16 is a rear elevation view thereof; and,
FIG. 17 is a top plan view thereof.

1 Claim, 9 Drawing Sheets





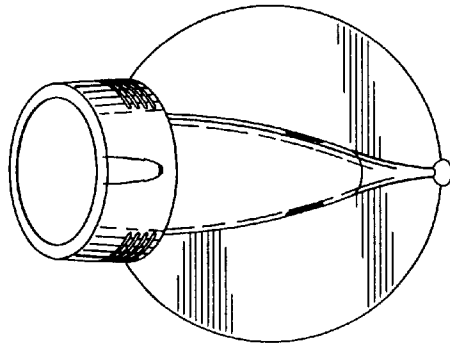


FIG. 5

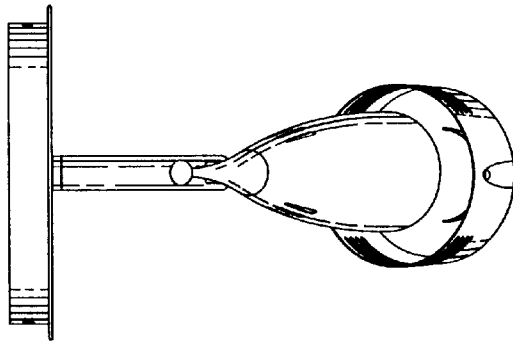


FIG. 4

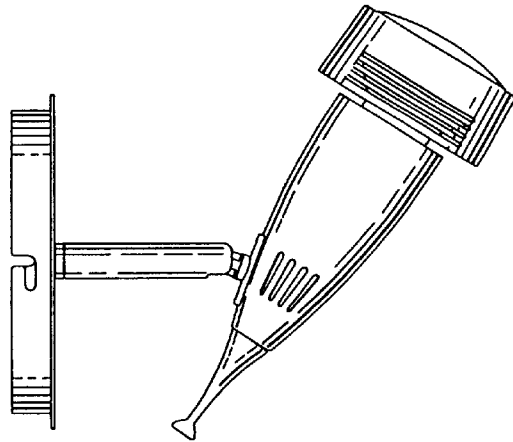


FIG. 3

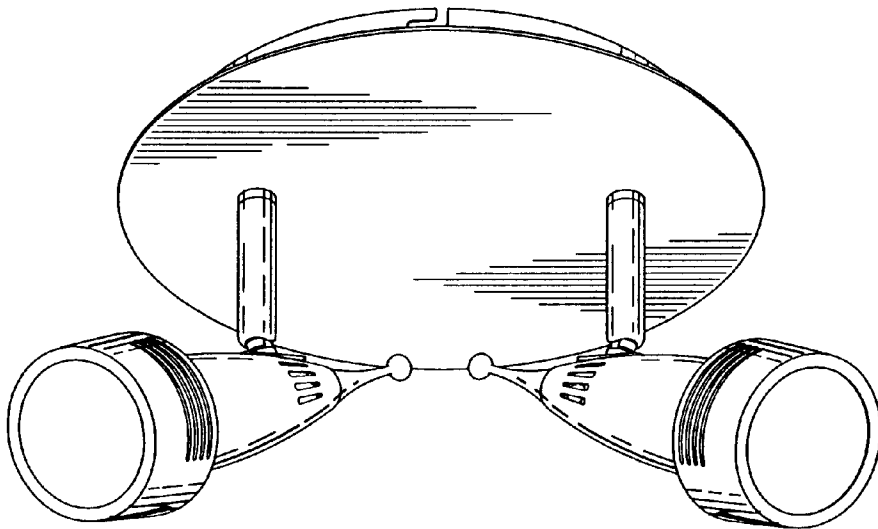


FIG. 6

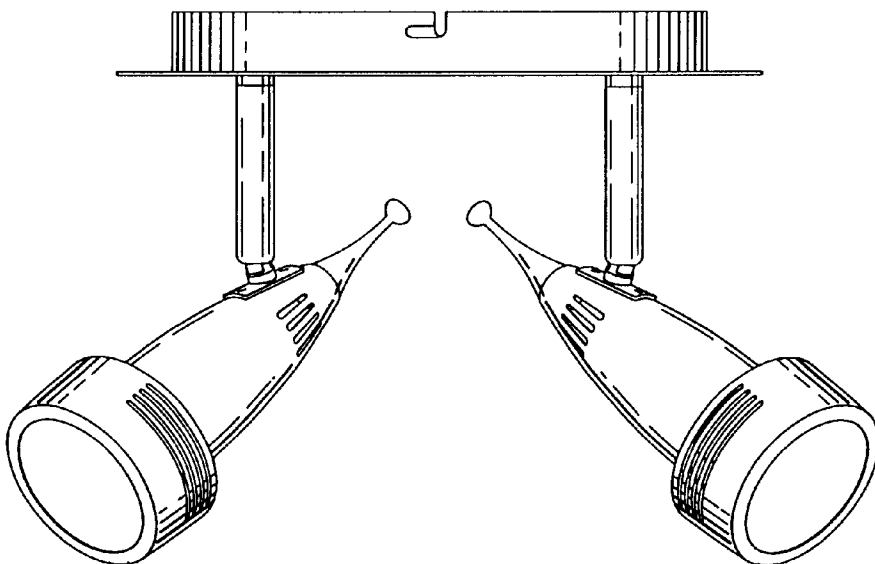


FIG. 7

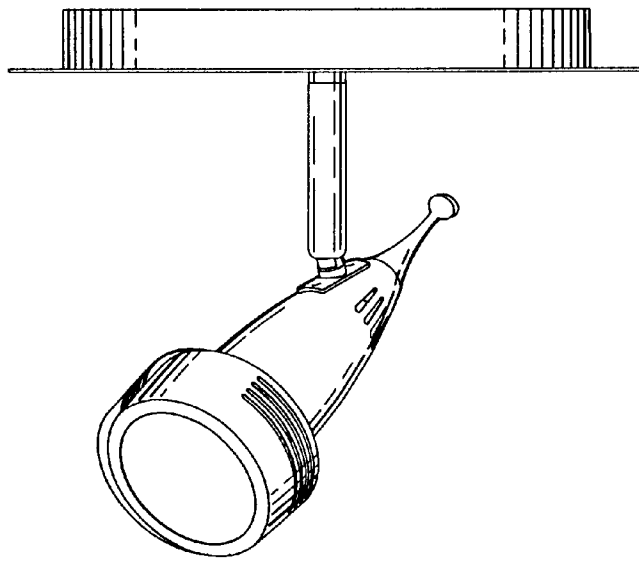


FIG. 8

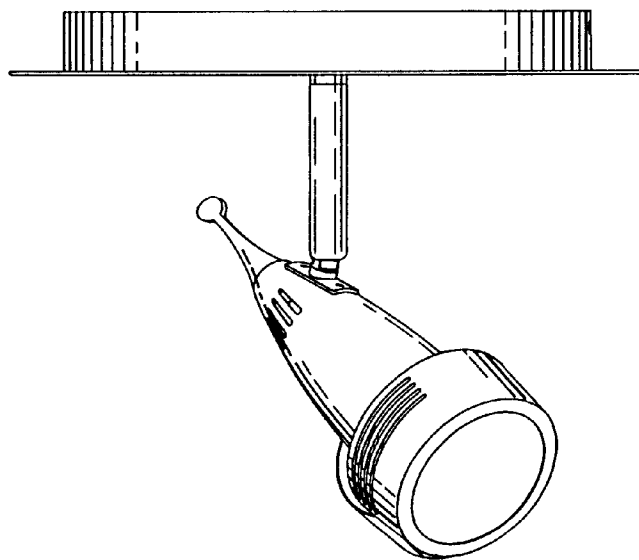


FIG. 9

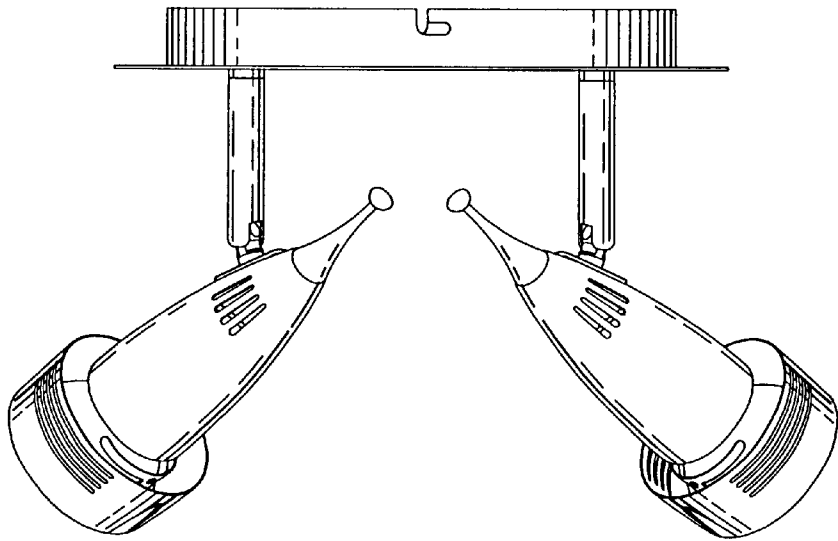


FIG. 10

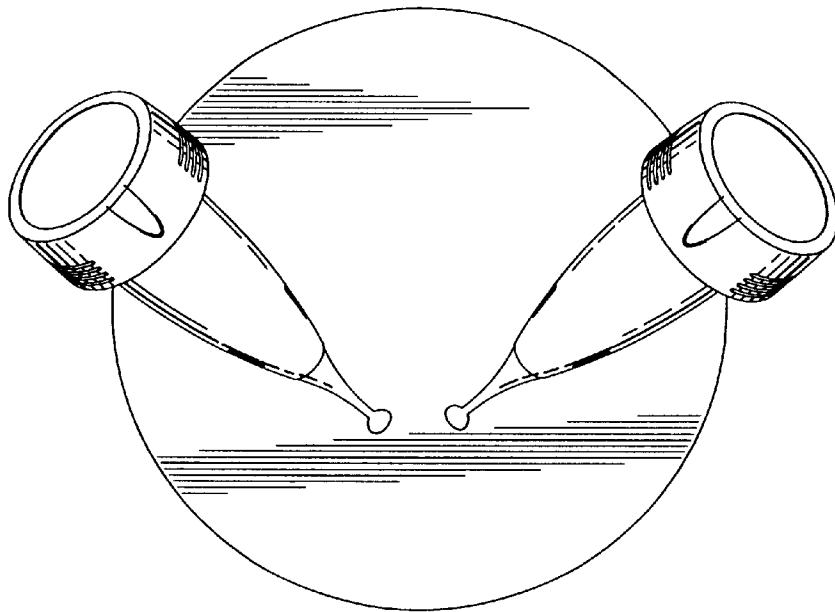


FIG. 11

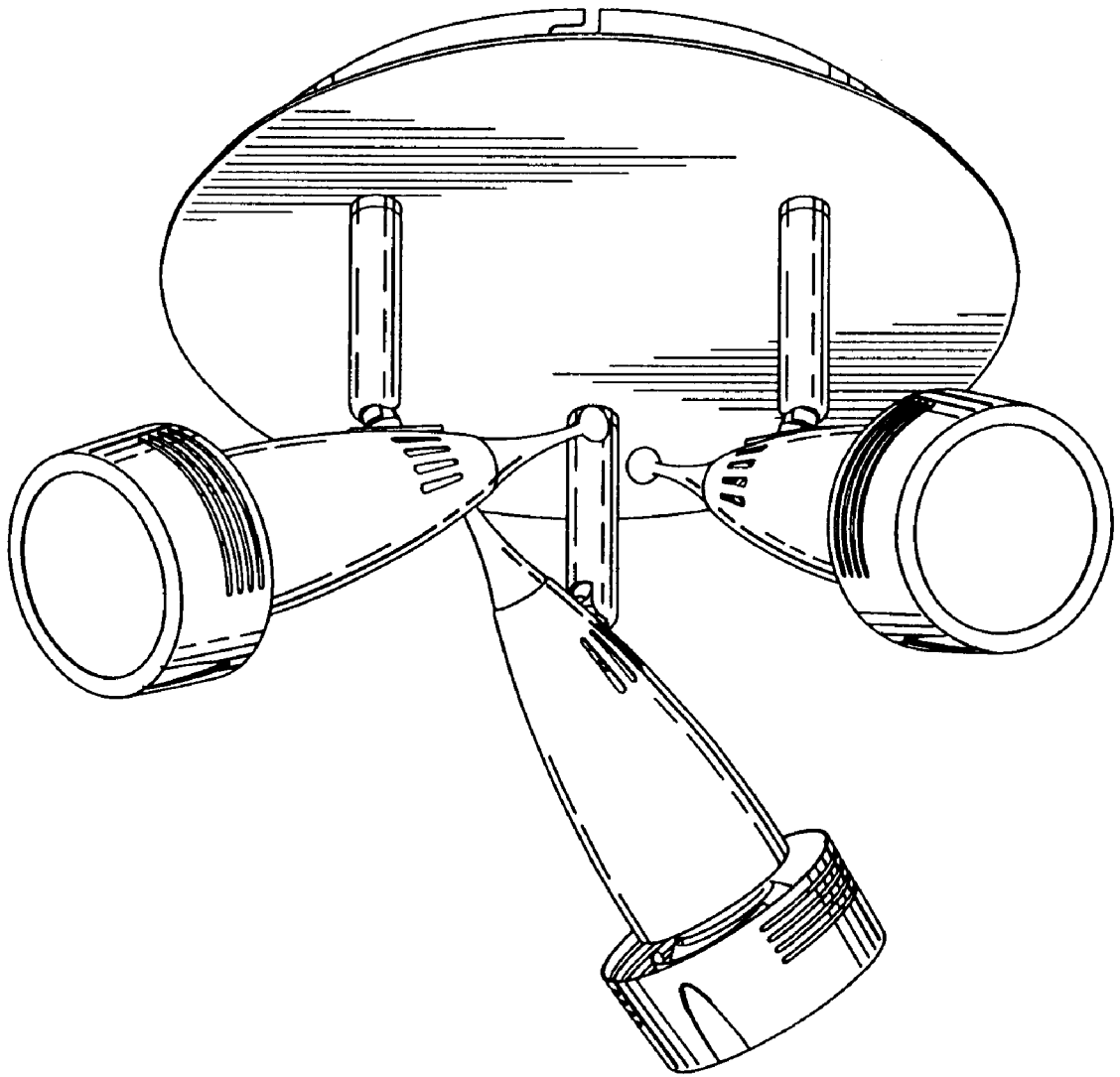


FIG. 12

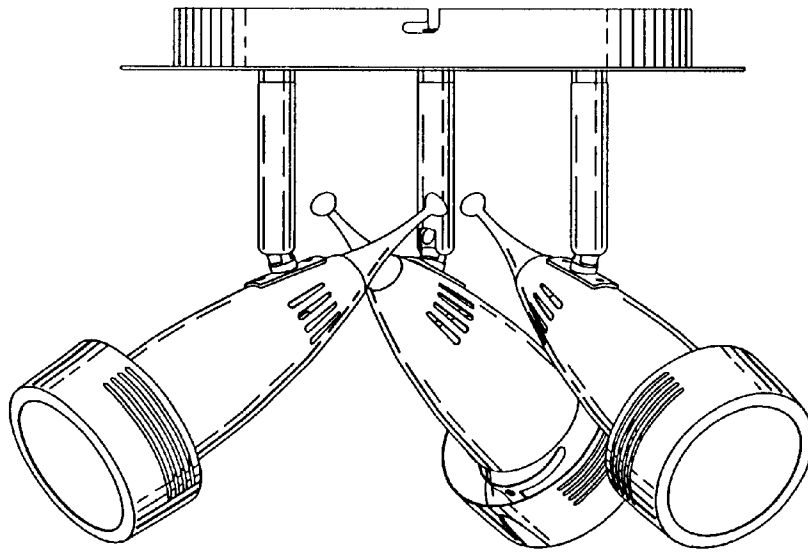


FIG. 13

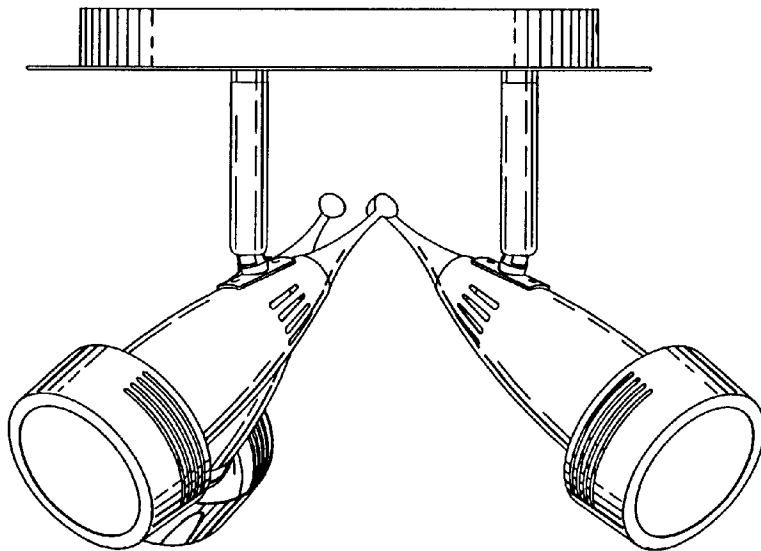


FIG. 14

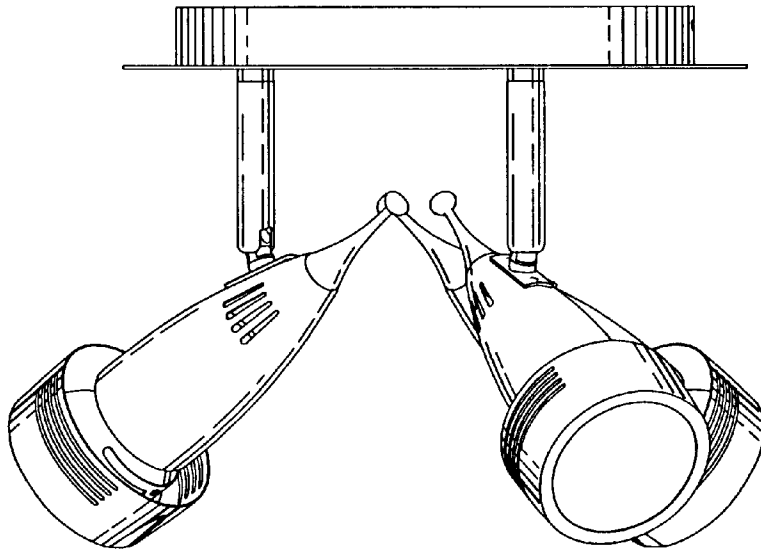


FIG. 15

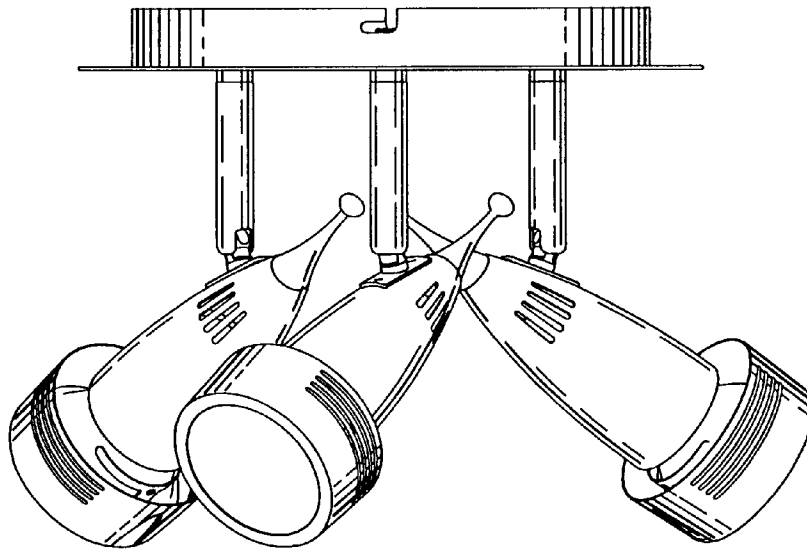


FIG. 16

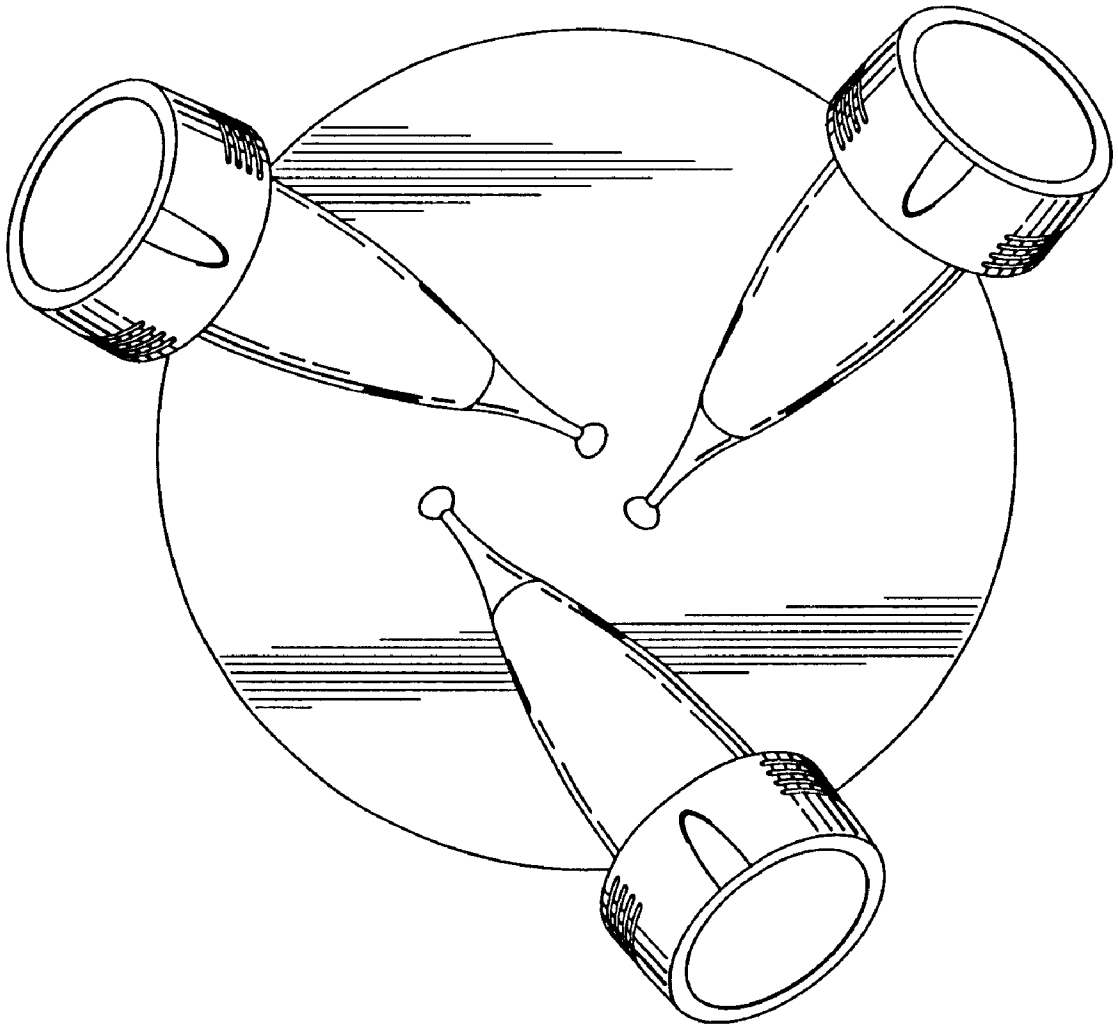


FIG. 17